

The background of the page is a detailed architectural line drawing of a ceiling structure. It features a central V-shaped junction where several beams meet. From these junctions, multiple beams extend outwards at various angles. Below the ceiling, several vertical columns are shown, supporting the structure. The drawing uses fine lines and shading to create a sense of depth and perspective.

teknion

optos LP

Architectural  
Drawing  
Package

# Optos Architectural Drawing Package, Contents

Name

Page

## Elevations

Elevation 1	EL01
Elevation 2	EL01
Elevation 3	EL02
Elevation 4	EL02
Elevation 7	EL03
Elevation 8	EL04
Elevation 9	EL04
Elevation 10	EL05
Elevation 11	EL05
Elevation 13	EL06
Elevation 14	EL06
Elevation 16	EL07
Elevation 17	ELCL1
Elevation 18	ELCL2

## Frames

Building Interface	
Filler Panel	A01-1/EL3
Adjustable Wall Start at Glass	A02-1
Adjustable Wall Start at Door	A02-2
Adjustable Wall Start at Sliding Door Start	A02-3
Ceiling Supports	
Reinforcement Ceiling Plank	A04-1
Clip For T-Bar, Square Edge Ceiling Tile	A04-2
Glass Panel Assembly	
Ceiling Spacer and Beam	A03-1
Base Frame and Channel	A03-2
Glass Wall In-line with Wall End	A03-3

## Fascia

Glazing Tape	
Glass Inline	A03-3
Glass 90 Deg Beveled	M02-1
Glass 3 Way	M04-1
Glass 4 Way	M12-1

## Doors Swing

Solid Hinged Door Leaf Single	
With Jamb and Cylindrical Lock ALX	C01-1
With Jamb and Ceiling Pull - Non Locking	C01-2
With Jamb and Floor Pull Locking	C01-3
With Jamb and Floor Pull Non Locking	C01-4

# Optos Architectural Drawing Package, Contents

Name	Page
With Jamb and Linear Pull - Perpendicular	C01-5
With Jamb and Linear Pull - Angular	C01-6
Solid Door - Surface Mount Closer Push Side	C01-8H
Solid Door - Surface mount Closer Pull Side	C01-8L
Glass	C01-7
Solid Hinged Door Leaf with Glass Insert Single	
With Jamb and Cylindrical Lock ALX	C02-1
With Jamb and Ceiling Pull - Non Locking	C02-2
With Jamb and Floor Pull Locking	C02-3
With Jamb and Floor Pull Non Locking	C02-4
With Jamb and Linear Pull - Perpendicular	C02-5
With Jamb and Linear Pull - Angular	C02-6
Glass Hinged Door Leaf Single	
With Jamb and Cylindrical Lock ALX	C03-1
With Jamb and Ceiling Pull - Non Locking	C03-2
With Jamb and Floor Pull Locking	C03-3
With Jamb and Floor Pull Non Locking	C03-4
With Jamb and Linear Pull - Perpendicular	C03-5
With Jamb and Linear Pull - Angular	C03-6
Glass Hinged Door LP Leaf Double	
With Jamb and Cylindrical Lock ALX	C06-1
Through Glass and Double Hinged Door Transom	C06-2/EL1
Glass Pivot Door Leaf Single Std Base	
With Jamb and Cylindrical Lock ALX	C07-1
With Jamb and Ceiling Pull - Non Locking	C07-2
With Jamb and Floor Pull Locking	C07-3
With Jamb and Floor Pull Non Locking	C07-4
With Jamb and Linear Pull - Perpendicular	C07-5
With Jamb and Linear Pull - Angular	C07-6
With Jamb and Mortise Lock L Series	C07-7
Pivot Door Closer Option and Jamb Detail	C07-8
Glass Pivot Door Leaf Single 10 Inch Ada	
With Jamb and Cylindrical Lock ALX	C08-1
With Jamb and Ceiling Pull - Non Locking	C08-2
With Jamb and Linear Pull - Perpendicular	C08-3
With Jamb and Linear Pull - Angular	C08-4
With Jamb and Mortise Lock L Series	C08-5
Framed 45mm Double Glazed Pivot Door Leaf Single	
With Jamb and Cylindrical Lock ALX	C09-1
With Jamb and Ceiling Pull - Non Locking	C09-2
With Jamb and Floor Pull Locking	C09-3
With Jamb and Floor Pull Non Locking	C09-4
With Jamb and Linear Pull - Angular	C09-6

# Optos Architectural Drawing Package, Contents

Name

Page

With Jamb and Mortise Lock L Series

C09-7

Framed 45mm double glazed pivot door Closer Option and Jamb Detail

C09-8

## Doors Sliding

Glass Sliding Door Leaf Single - Fixed Rail

Ceiling Non Locking Pull

S05-1

Ceiling Locking Pull

S05-2

Floor Locking Pull

S05-3

Floor Non Locking Pull

S05-4

Perpendicular Linear Pull

S05-5

Angular Linear Pull

S05-6

Solid Sliding Door Leaf Single - Fixed Rail

Ceiling Non Locking Pull

S06-1

Ceiling Locking Pull

S06-2

Floor Locking Pull

S06-3

Floor Non Locking Pull

S06-4

Perpendicular Linear Pull

S06-5

Angular Linear Pull

S06-6

Solid Sliding Door Leaf with Glass Insert Single- Fixed Rail

Ceiling Non Locking Pull

S07-1

Ceiling Locking Pull

S07-2

Floor Locking Pull

S07-3

Floor Non Locking Pull

S07-4

Perpendicular Linear Pull

S07-5

Angular Linear Pull

S07-6

Glass Sliding Door Leaf Double - Fixed Rail

Ceiling Non Locking Pull (Horz Section)

S08-1H/EL7

Ceiling Non Locking Pull (Vert Section)

S08-1V/EL7

Floor Non Locking Pull (Horz Section)

S08-4H/EL16

Floor Non Locking Pull (Vert Section)

S08-4V/EL16

Sliding Door Leaf Single - Extended Rail

With Transition In-Line

S09-1

With 2-Way

S09-2

With 3-Way

S09-3

Glass Sliding Door Leaf Double -Extended Rail

With Transition In-Line And Corner Connection

S10-1

## Connections,

Optos LP,

In-Line Connection Optos

A03-3

Two-Way Glass Only Corner Connection With 2 Optos At 90°

M02-1

Two-Way Corner Connection With 1 Door And 1 Glass At 90°

M02-2

Three-Way Glass Only Corner Connection With 3 Optos Glass

M04-1

# Optos Architectural Drawing Package, Contents

Name	Page
Three-Way Glass Only Corner Connection With 2 Doors At 180°	M43-1
Three-Way Corner Connection With 1 Optos Door At 180°	M04-2
Three-Way Corner Connection With 1 Optos Door Centered At 90°	M05-1
Three-Way Corner Connection With 2 Optos Door At 90°	M05-2
Three-Way Corner Connection With 2 Optos Doors At 180°	M06-2
With Optos LP Slider Door End	
Two Way Corner Connection With 1 Altos and Right Side Sliding Door End At 90°	M45-1
Two Way Corner Connection With 1 Altos and Left Side Sliding Door End At 90°	M45-2
Two Way Connection for 1 Or 2 Sliding Door Ends At 90°	M42-1
Two Way Connection for Sliding Door Start and Sliding Door End At 90°	M42-2
Three Way Connection For 1 Or 2 Sliding Door Ends At 90° And glass	M44-1
Three Way Connection For 1 Or 2 Sliding Door Ends At 90° And Sliding Door Start	M44-2
To Altos,	
In-Line Connection With 1 Altos And 1 Optos	M01-1/EL4
Two-Way Corner Connection With 1 Altos And 1 Optos Glass At 90°	M03-1
Two-Way Corner Connection With 1 Altos And 1 Optos Door At 90°	M03-2
Three-Way Corner Connection With 1 Altos To 2 Optos Glass At 90°	M06-1/EL8
Three-Way Corner Connection With 1 Altos To 2 Optos Doors At 90°	M07-1/EL8
Three-Way Corner Connection With 1 Altos To 1 Optos Glass At 180° And 1 Door At 90°	M07-2/EL8
Three-Way Corner Connection With 1 Altos To 1 Optos Glass At 90° And 1 Door At 180°	M08-1/EL9
Three-Way Corner Connection With 1 Altos To 2 Optos Glass At 180°	M08-2/EL11
Three-Way Corner Connection With 1 Altos To 2 Optos Doors At 180°	M09-1/EL10
Three-Way Corner Connection With 1 Altos To 1 Optos Glass And 1 Pivot Door At 180°	M09-2/EL11
Three-Way Corner Connection With 1 Altos To 1 Optos Glass And 1 Glass Door At 180°	M40-2/EL14
Three-Way Corner Connection With 2 Altos At 90° To 1 Optos Glass	M10-1/EL8
Three-Way Corner Connection With 2 Altos At 90° To 1 Optos Door	M10-2/NA
Three-Way Corner Connection With 2 Altos At 180° To 1 Optos Glass	M11-1/EL9
Three-Way Corner Connection With 2 Altos At 180° To 1 Optos Door	M11-2/EL9
Three Way Corner Connection With 1 Altos To 2 Optos Doors At 180°	M40-1/EL13
Four-Way Corner Connection With 2 Altos And 2 Optos Glass At 180°	M15-1
Four-Way Corner Connection With 2 Altos And 2 Optos Doors At 180°	M16-1
Four-Way Corner Connection With 2 Altos To 1 Optos Glass And 1 Glass Door At 180°	M16-2
To Drywall,	
Two Way Connection with Drywall for Door	M46-1
Two Way Connection with Drywall for Door End Or Glass	M46-2
Three-Way Connection with Dry Wall for Sliding Door End Or Glass	M41-1
Three-Way Connection with Dry Wall for Sliding Door End And Start	M41-2
Three Way Connection with Drywall For 1 Door & Glass	M47-1
Three Way Connection with Drywall For 2 Doors	N48-1
Specials	
Special - Four-Way Glass Only Corner Connection	M12-1
Special - Four-Way Corner Connection With 1 Optos Door	M12-2
Special - Four-Way Corner Connection With 2 Optos Doors At 90°	M13-1

# Optos Architectural Drawing Package, Contents

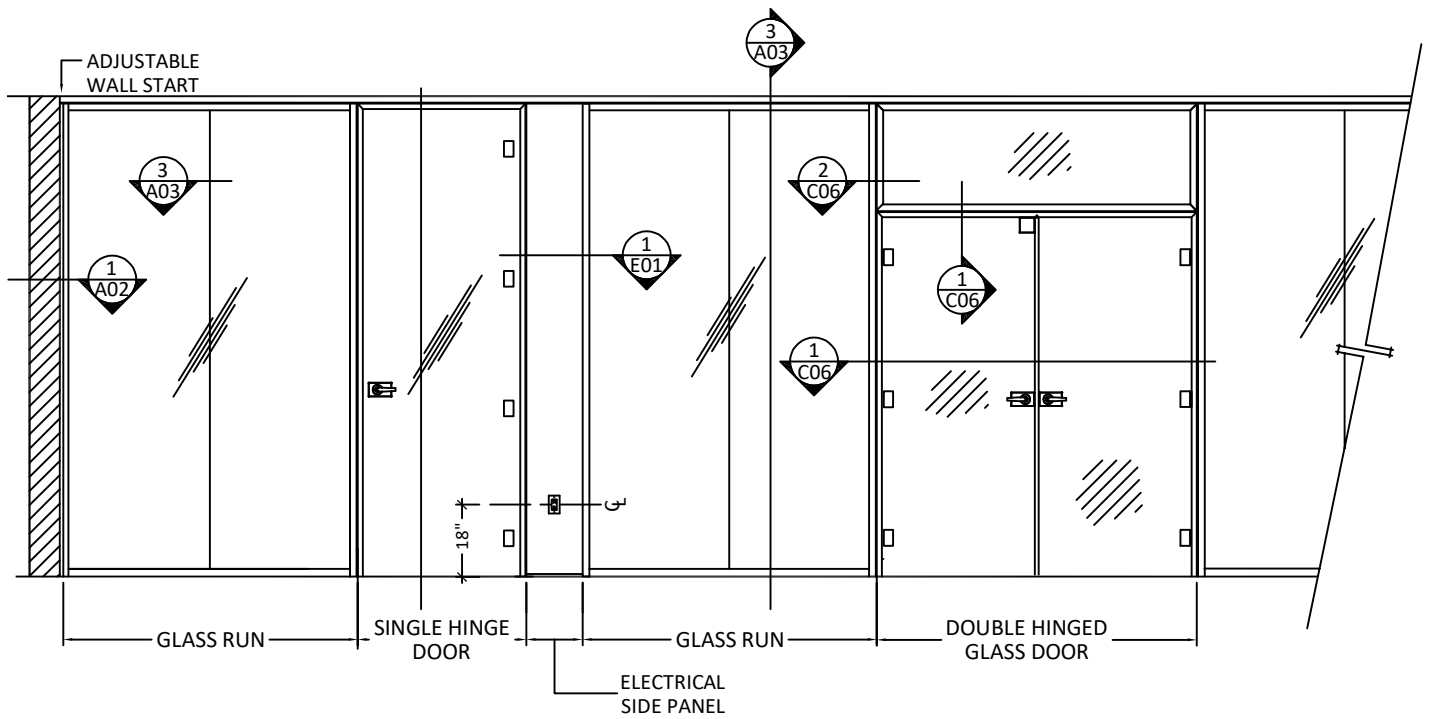
Name	Page
Special - Four-Way Corner Connection With 2 Optos Doors At 180°	M13-2
Special - Four-Way Corner Connection With 2 Altos And 2 Optos At 90°	M14-1
Special - Four-Way Corner Connection With 2 Altos And 2 Optos Doors At 90°	M14-2
Special - Four-Way Corner Connection With 2 Altos To 2 Optos At 90 W/ 1 Optos Door	M15-2
Special - Four-Way Corner Connection With 1 Altos And 3 Optos	M17-1
Special - Four-Way Corner Connection With 1 Altos To 3 Optos With 2 Doors At 180°	M17-2
Special - Four-Way Corner Connection With 3 Altos And 1 Optos	M18-1
Special - Four-Way Corner Connection With 1 Altos To 3 Optos With 1 Optos Door	M18-2
Special - Four-Way Corner Connection With 3 Altos And 1 Optos Door	M19-1

## Electrical

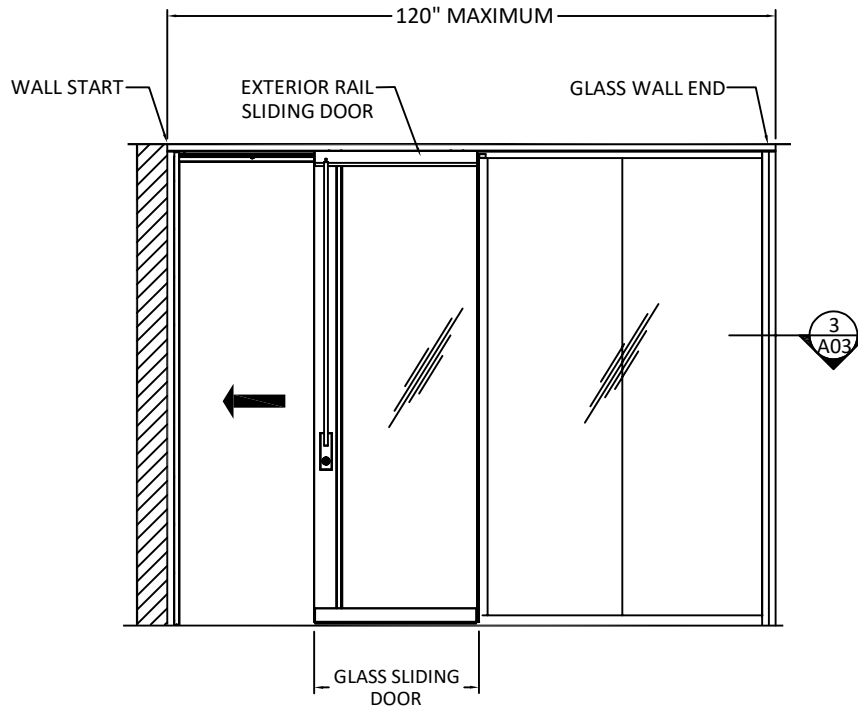
Optos Electrical Side Panel Light Switch and Receptacle Module Shown	E01/EL1
--	---------

## Clerestory

Three Way Corner Connection with 3 Clerestory	G1/EL17
Two Way Corner Connection with 2 Clerestory At 90°	G1/EL17
Two Way Corner Connection with Clerestory and Optos At 90°	G2/EL17
Three Way Corner Connection with Clerestory And 2 Altos At 180°	G2/EL17
Two Way Corner Connection with Clerestory and Optos At 90°	G3/EL18
Two Way Corner Connection with Clerestory and Optos Door At 90°	G3/EL17
Three Way Corner Connection with Clerestory And 2 Optos At 180°	G4/EL18
Three Way Corner Connection with Clerestory and Optos Door and Optos At 180°	G4/EL18
Three Way Corner Connection with Clerestory and 2 Optos Doors At 180°	G5/EL18
Two Way Corner Connection with Clerestory and Optos At 180° In Line	G5/EL18
Vertical Section Through Clerestory Wall	G6/EL17
Two Way Corner Connection with Clerestory and Sliding Door End At 90°	G7



**1** ELEVATION 1 - SINGLE AND DOUBLE GLASS DOOR



**2** ELEVATION 2 - EXTERIOR GLASS SLIDING DOOR, EXTENDED RAIL AND LOCKING CEILING PULL

ELEVATIONS / SINGLE AND DOUBLE HINGED GLASS DOOR / SLIDING DOOR

1'-0"=1'-0"

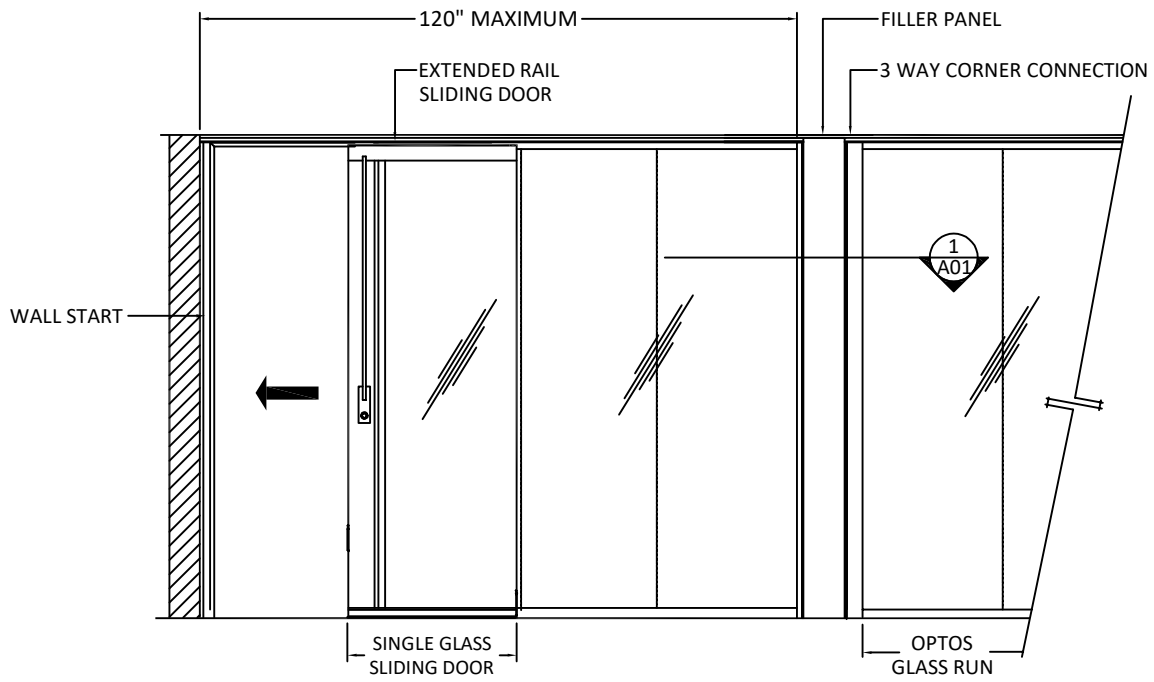
OPTOS DETAILING PACKAGE

JUNE 30, 2024

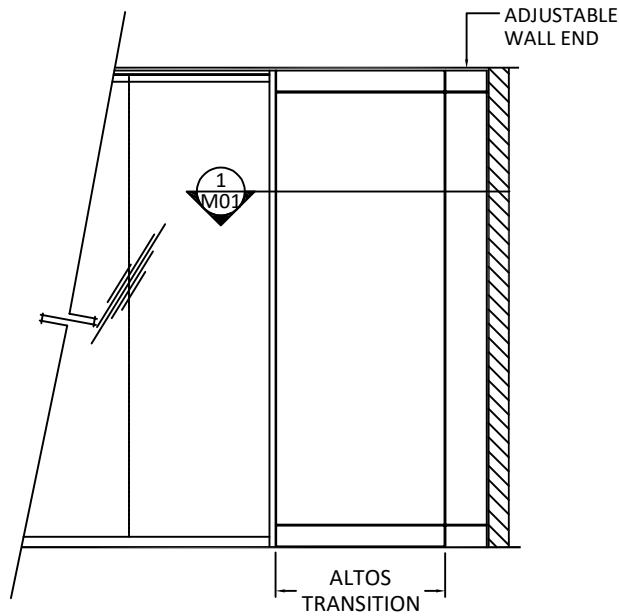
REV03

EL1

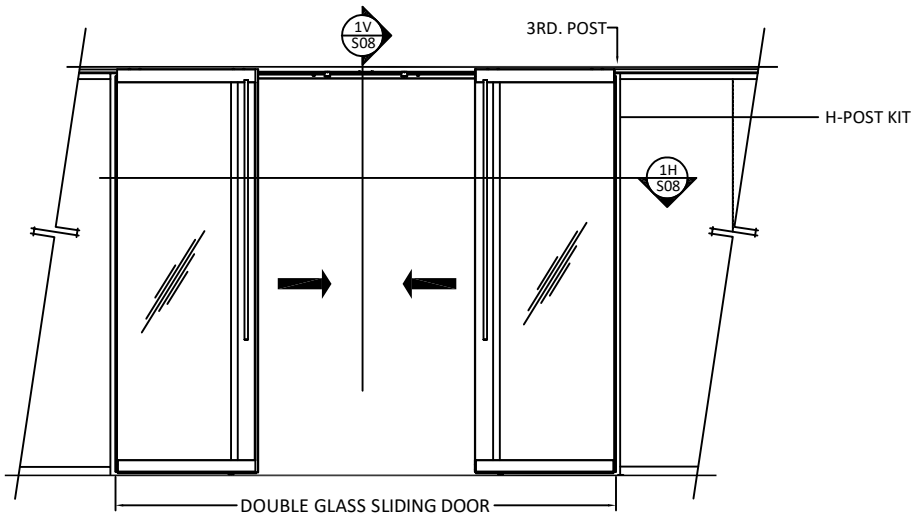
This drawing is the property of Teknion Limited and is subject to return upon demand. It must not be copied or reproduced in any manner, nor submitted to any outside parties for examination without Teknion consent. This drawing must not be scaled, or used for construction purposes.



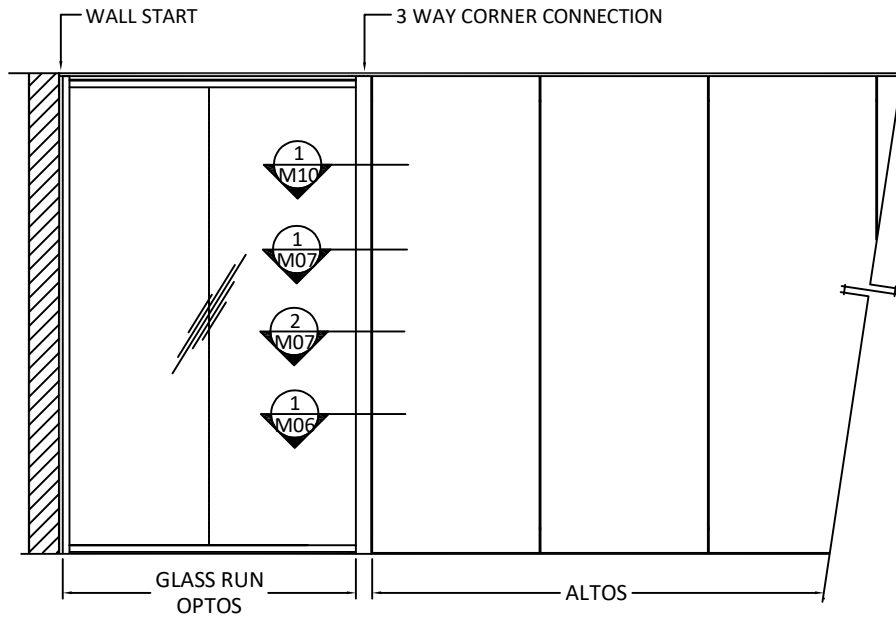
1 ELEVATION 3 - 3 WAY CORNER CONNECTION WITH FILLER PANEL



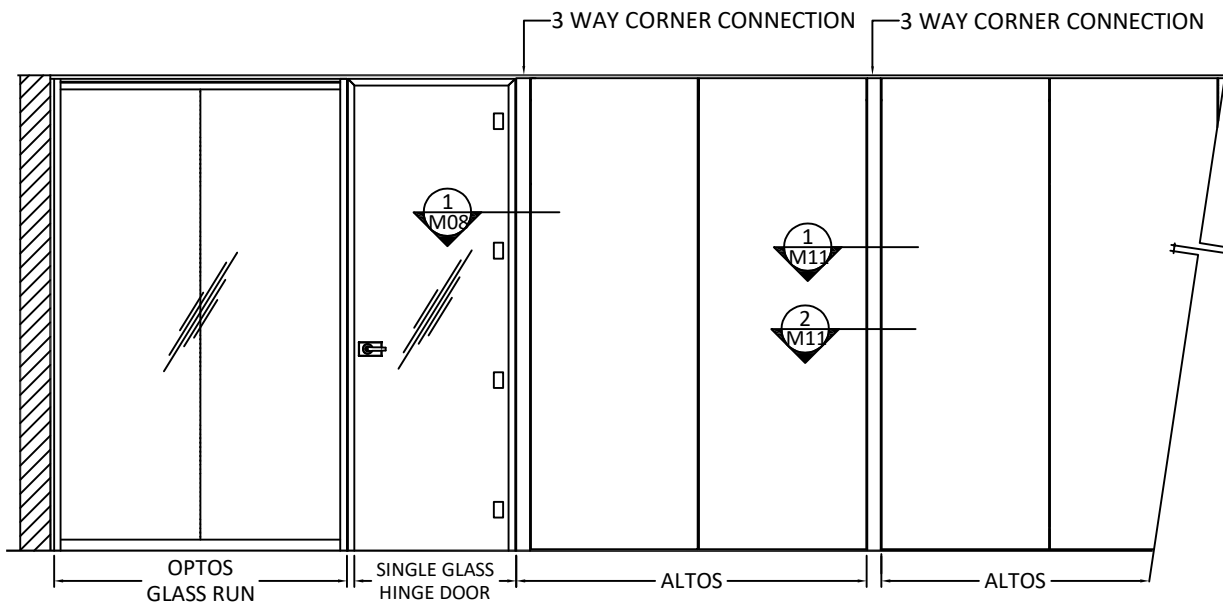
2 ELEVATION 4 - ALTOS TRANSITION 180 DEGREE



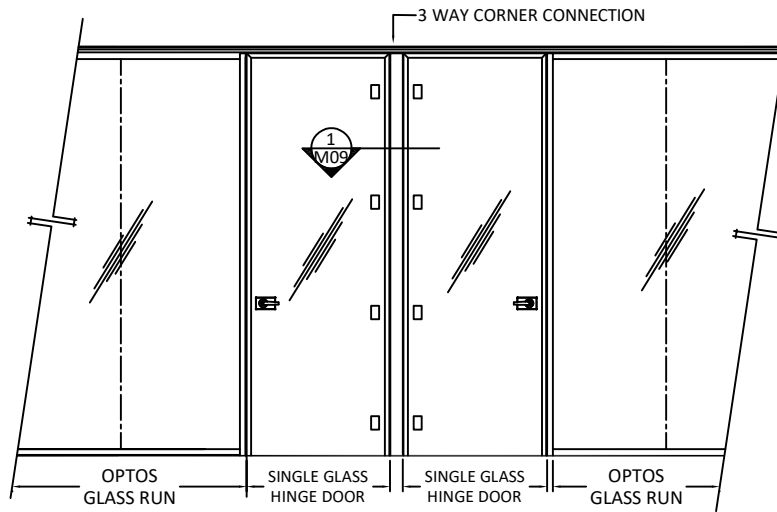
**1** ELEVATION 7 - EXTERIOR DOUBLE GLASS SLIDING DOOR, FIXED RAIL AND NON LOCKING CEILING PULL



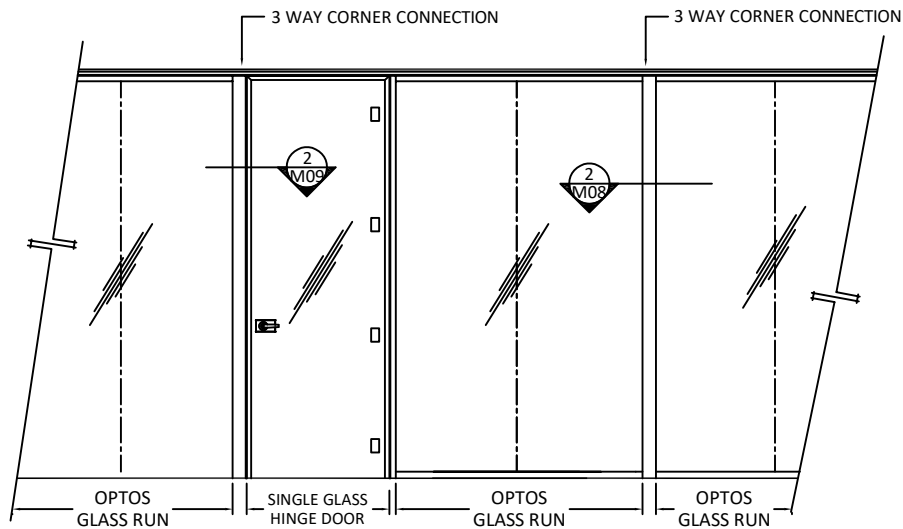
1 ELEVATION 8 - THREE WAY, GLASS INLINE WITH GLASS



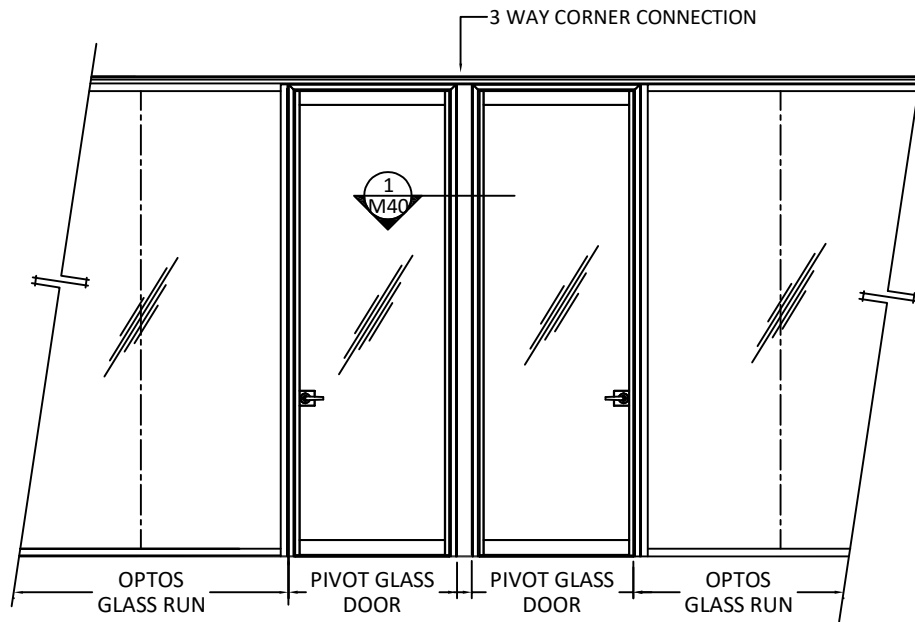
2 ELEVATION 9 - THREE WAY, GLASS DOOR INLINE WITH GLASS; ALTOS INLINE WITH ALTOS



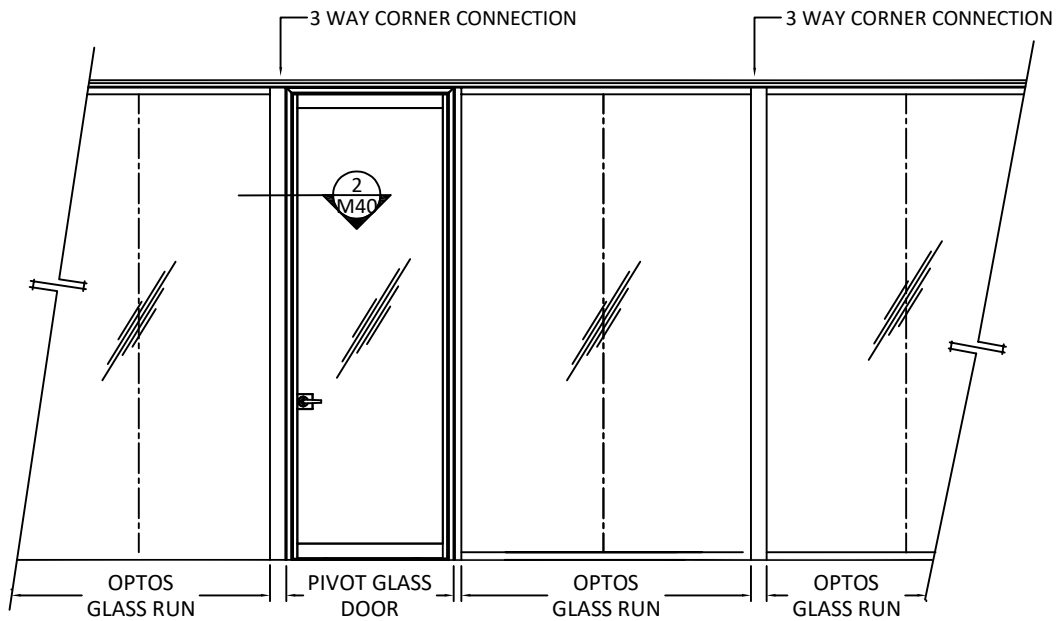
**1** ELEVATION 10 - THREE WAY, GLASS DOOR INLINE WITH GLASS DOOR AND ALTOS AT 90



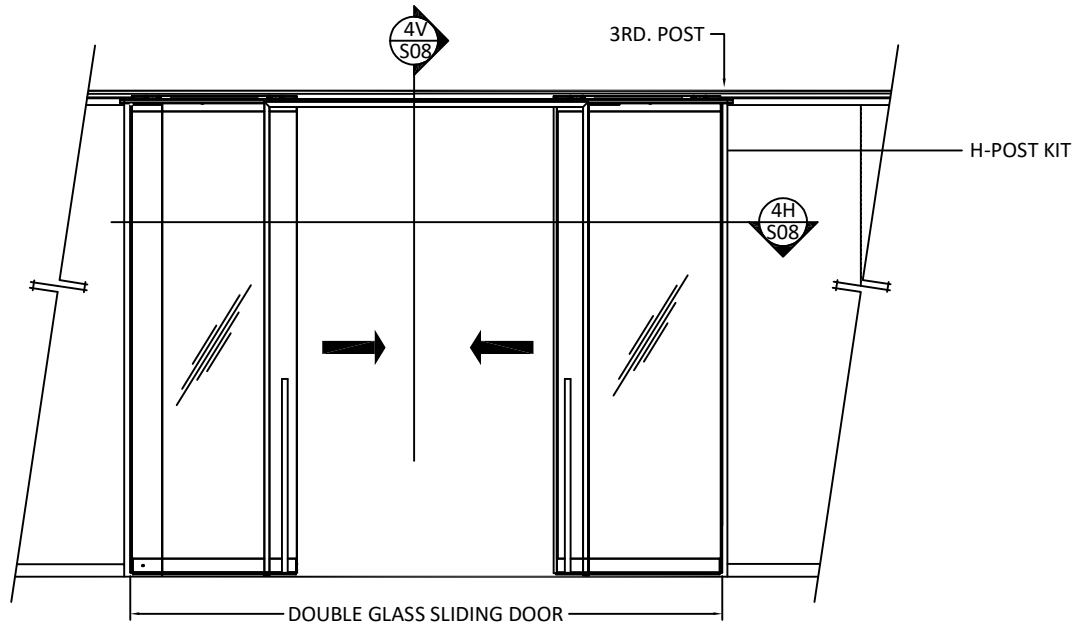
**2** ELEVATION 11 - THREE WAY, GLASS DOOR STRIKE INLINE WITH GLASS AND ALTOS AT 90 GLASS INLINE WITH GLASS AND ALTOS AT 90



**1** ELEVATION 13 - THREE WAY, PIVOT DOOR INLINE WITH PIVOT DOOR AND  
ALTOS AT 90



**2** ELEVATION 14 - THREE WAY, GLASS INLINE WITH PIVOT DOOR STRIKE AND  
ALTOS AT 90



2 ELEVATION 16 - INTERIOR DOUBLE GLASS SLIDING DOOR, EXTENDED RAIL AND NON-LOCKING FLOOR PULL

ELEVATION SLIDING DOOR INTERIOR

1'-0"=1'-0"

OPTOS DETAILING PACKAGE

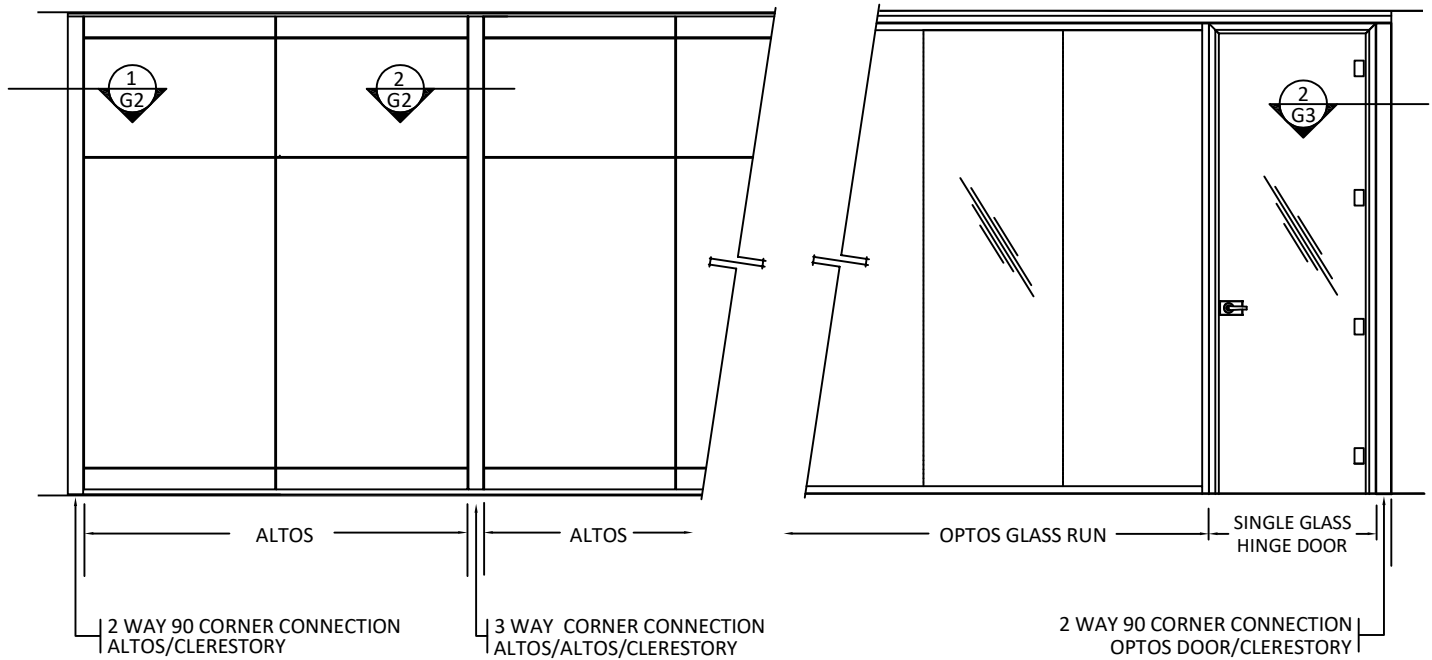
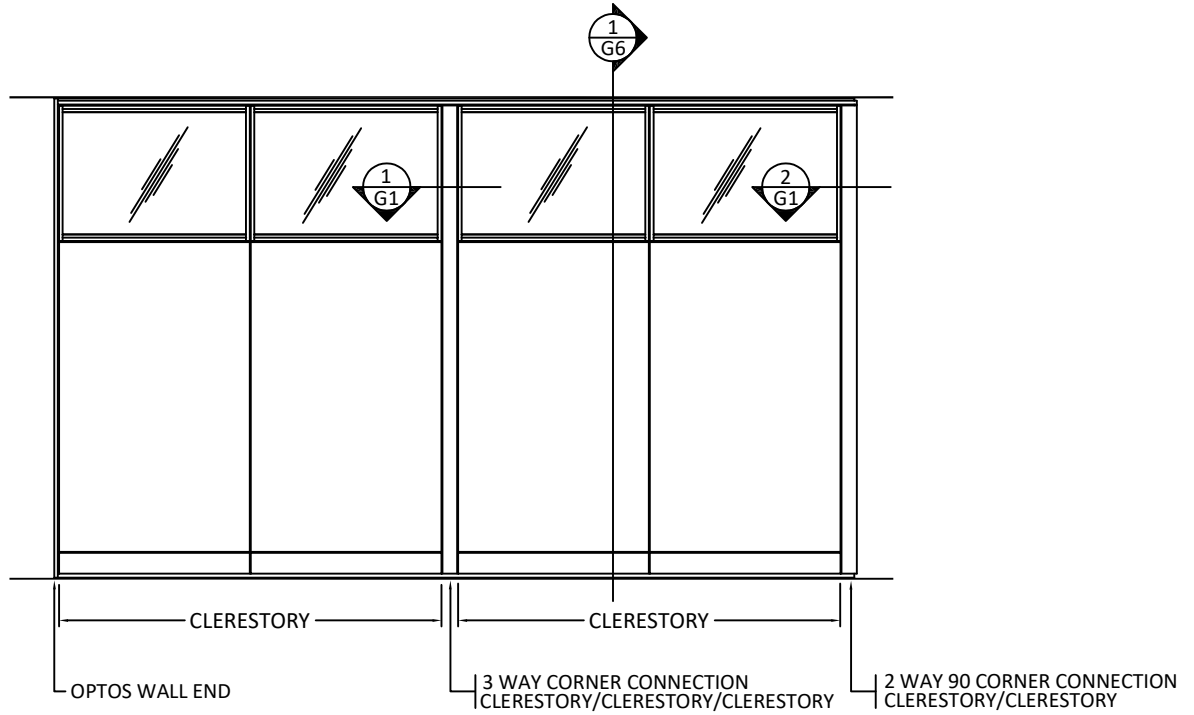
JUNE 30, 2024

REV04

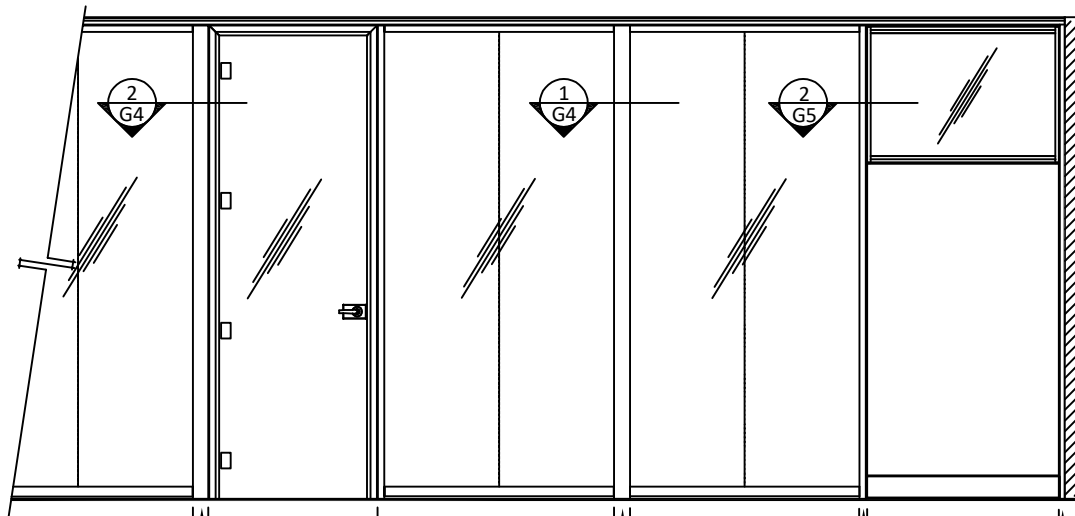
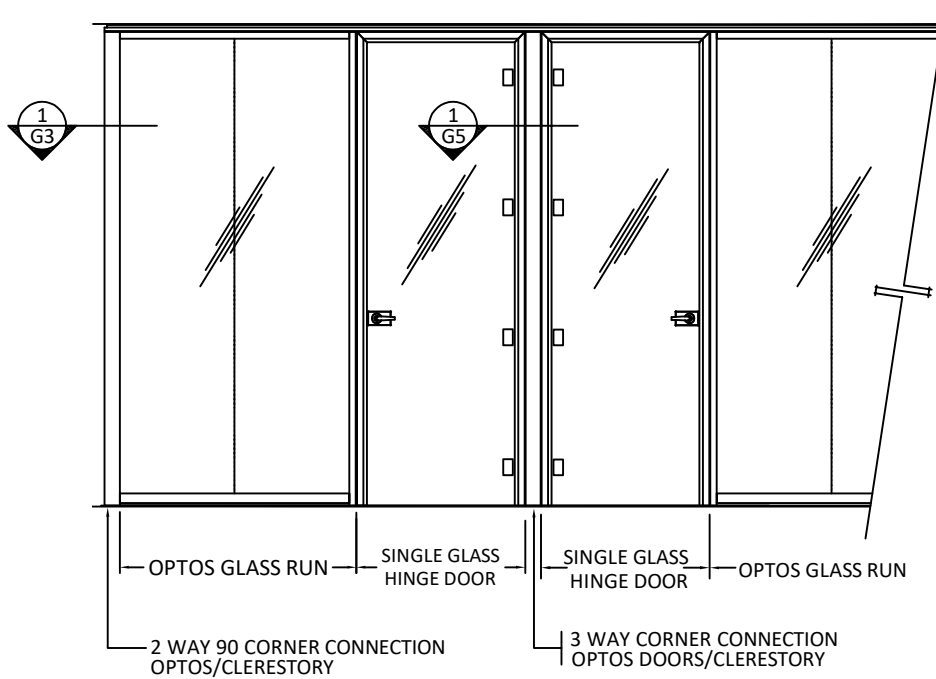
EL7

This drawing is the property of Teknion Limited and is subject to return upon demand. It must not be copied or reproduced in any manner, nor submitted to any outside parties for examination without Teknion consent. This drawing must not be scaled, or used for construction purposes.

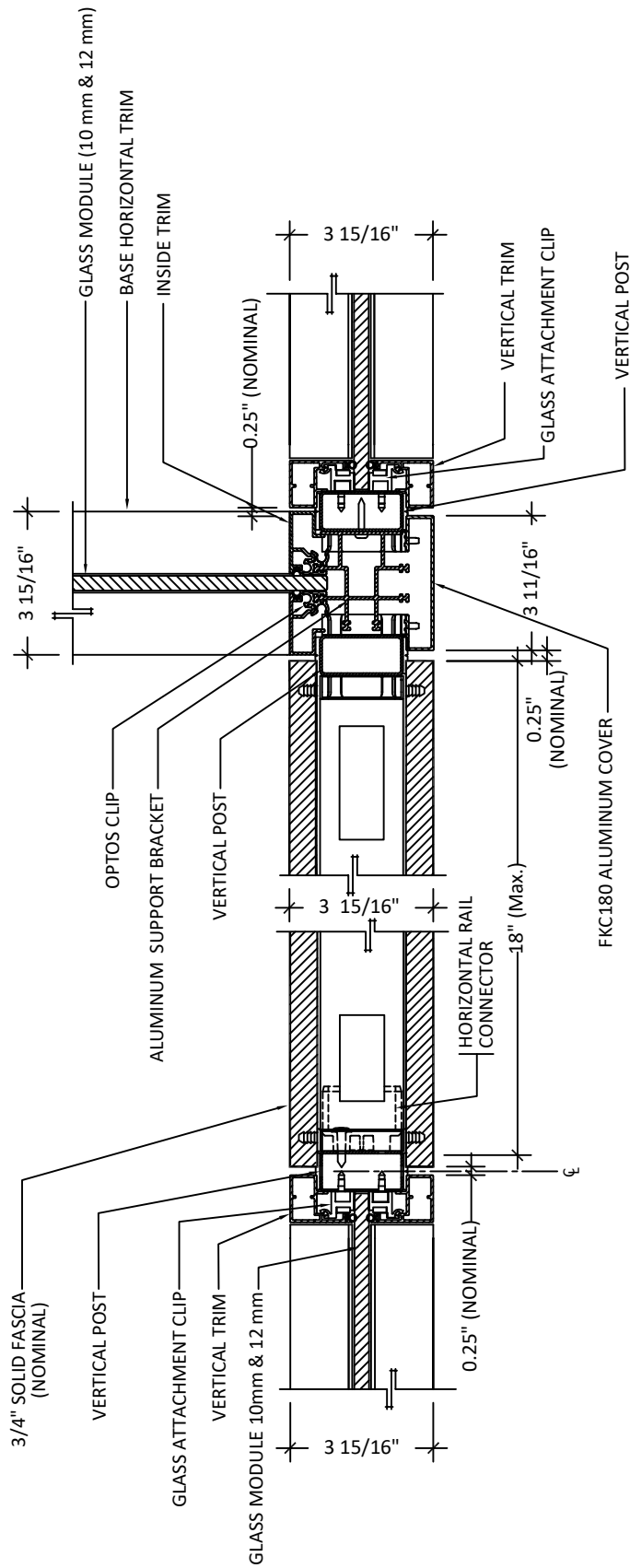
Publish Date: Feb 23 2026 **teknion**



**1** ELEVATION 17 - TWO AND THREE WAY CONNECTIONS WITH CLERESTORY,  
CLERESTORY TO OPTOS, CLERESTORY TO ALTOS



**1** ELEVATION 18 - TWO AND THREE WAY CORNER CONNECTIONS WITH CLERESTORY TO OPTOS, CLERESTORY TO OPTOS DOOR



1 BUILDING INTERFACE FILLER PANEL

FRAMES

1'-0"=1'-0"

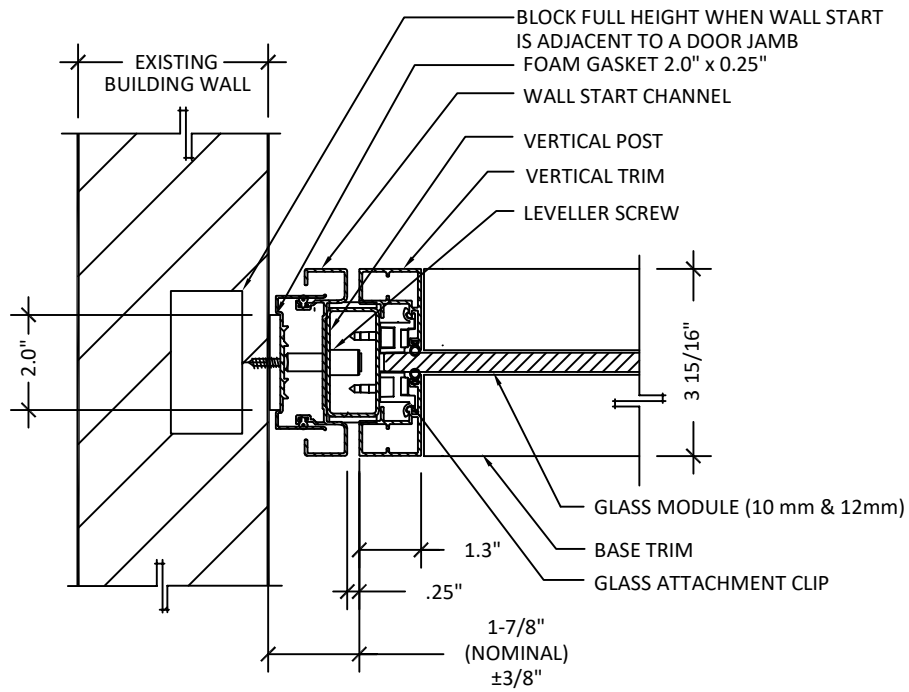
OPTOS DETAILING PACKAGE

NOV 01, 2024

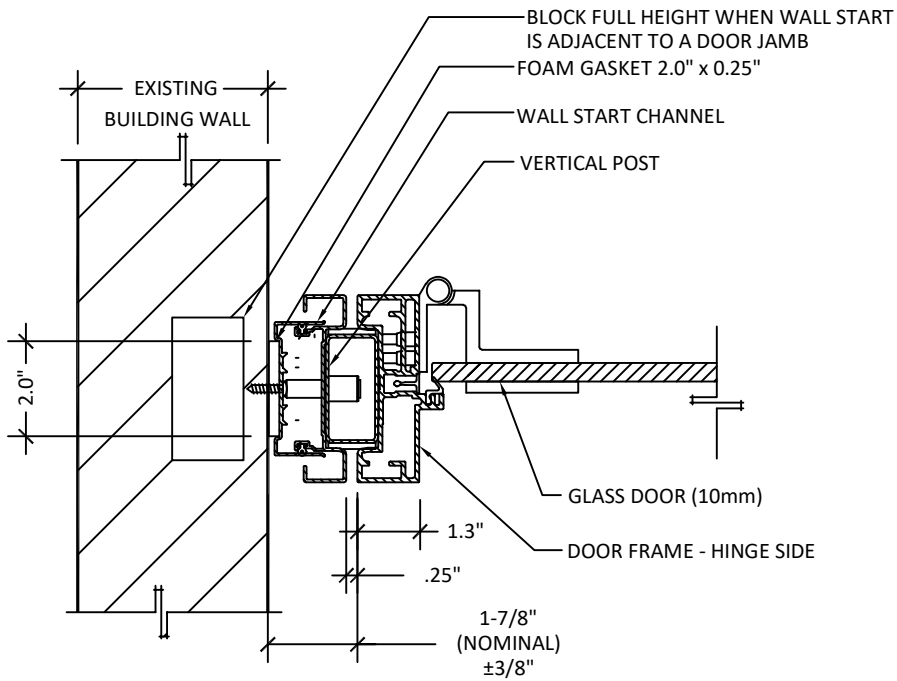
REV02

A01 - 1

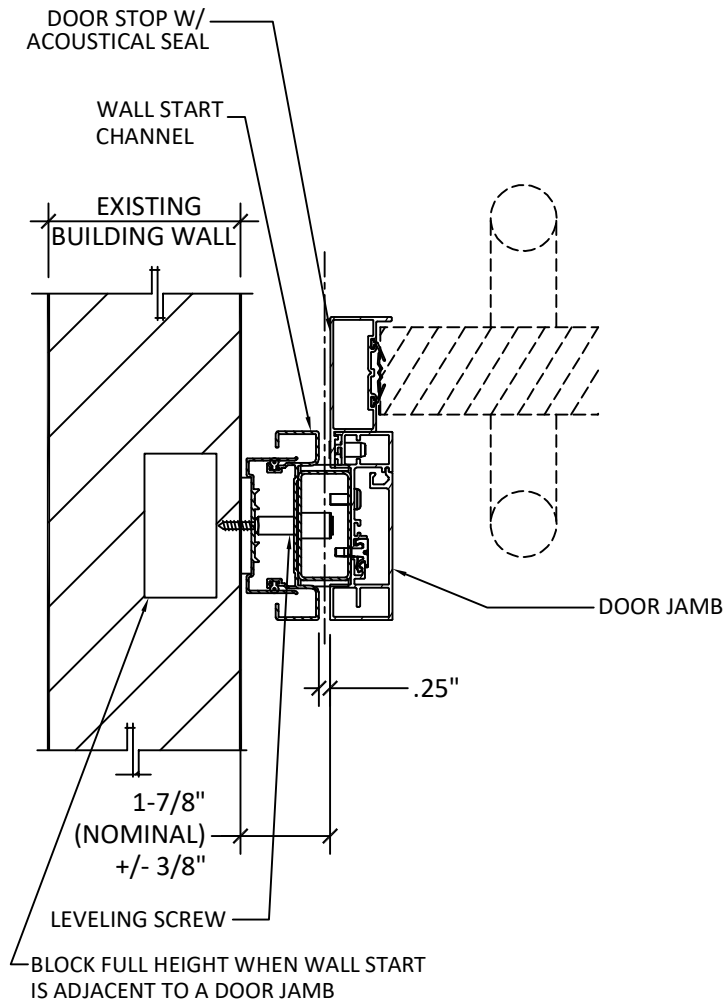
This drawing is the property of Teknion Limited and is subject to return upon demand. It must not be copied or reproduced in any manner, nor submitted to any outside parties for examination without Teknion consent. This drawing must not be scaled, or used for construction purposes..



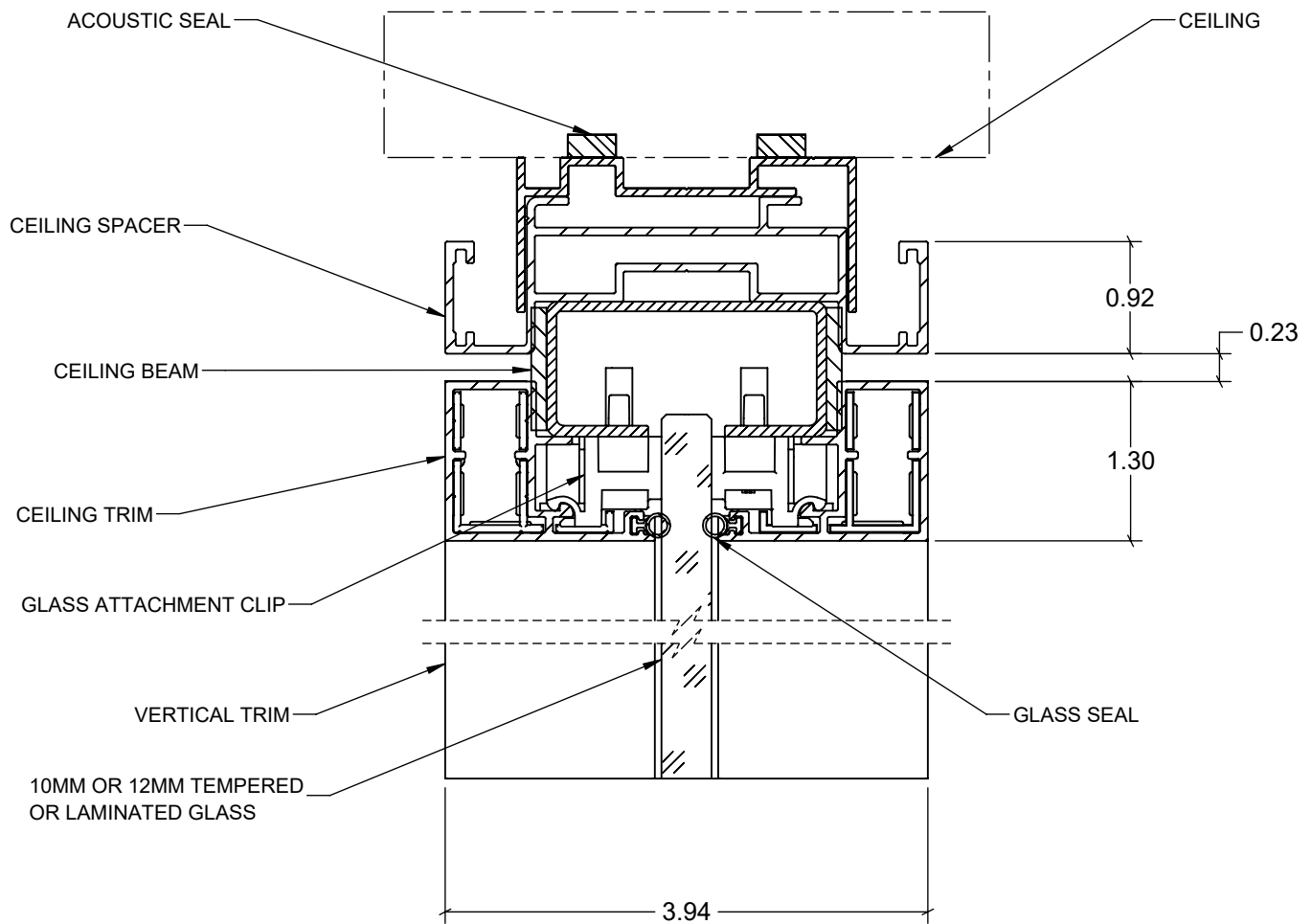
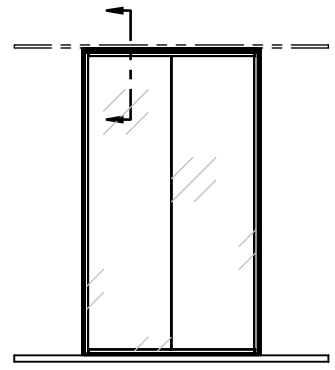
**1 BUILDING INTERFACE**  
**ADJUSTABLE WALL START AT GLASS**



**2 BUILDING INTERFACE**  
**ADJUSTABLE WALL START AT DOOR**



**1** BUILDING INTERFACE  
ADJUSTABLE WALL START AT SLIDING DOOR START



1A GLASS PANEL ASSEMBLY

A03 CEILING SPACER AND BEAM - AT WALL

OPTOS LP - FRAMES

MODIFIED SEPTEMBER 29, 2024

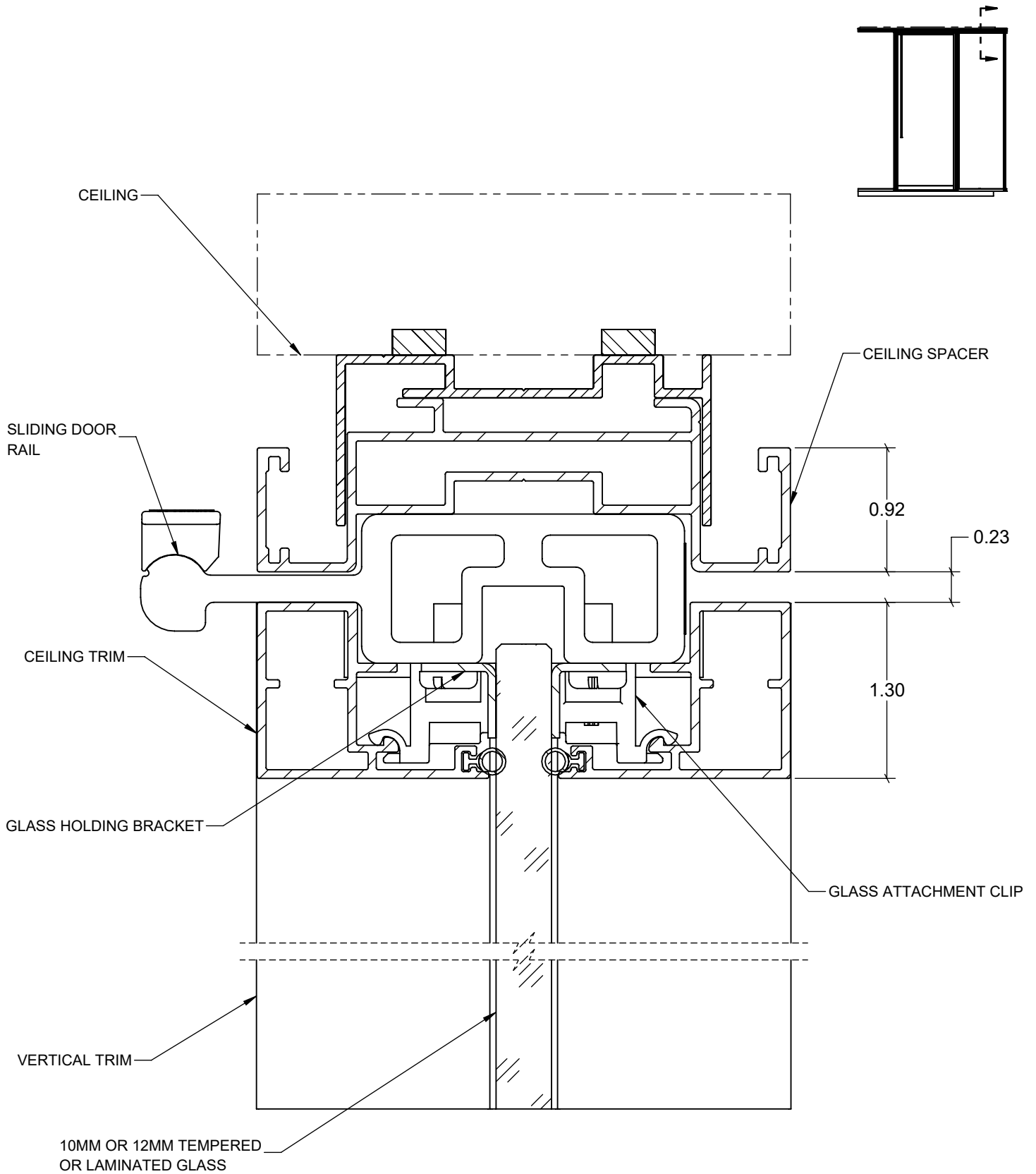
UNIT INCH

SCALE 1:4

THIS DRAWING IS THE PROPERTY OF TEKNION LIMITED AND IS SUBJECT TO RETURN UPON DEMAND. IT MUST NOT BE SUBMITTED TO ANY OUTSIDE PARTIES FOR EXAMINATION WITHOUT TEKNION CONSENT. THIS DRAWING MUST NOT BE SCALED OR USED FOR CONSTRUCTION PURPOSES

Publish Date: Feb 23 2026

teknion



**1B** GLASS PANEL ASSEMBLY

**A03** CEILING SPACER AND BEAM - ADJACENT TO SLIDING DOOR

**OPTOS LP - FRAMES**

MODIFIED SEPTEMBER 29, 2024

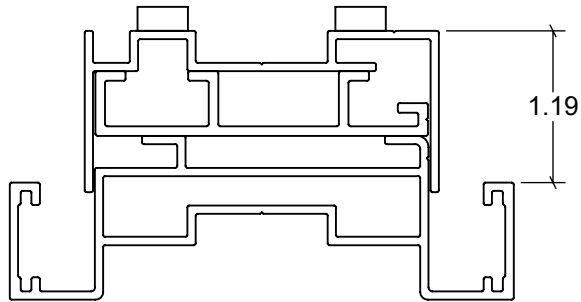
UNIT INCH

SCALE 1:4

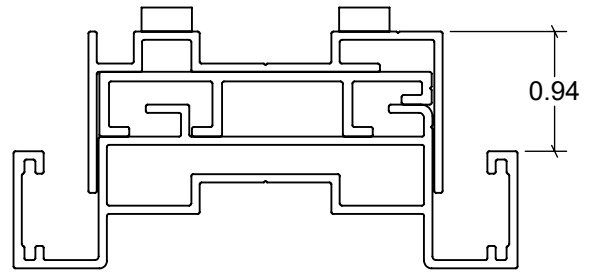
THIS DRAWING IS THE PROPERTY OF TEKNION LIMITED AND IS SUBJECT TO RETURN UPON DEMAND. IT MUST NOT BE SUBMITTED TO ANY OUTSIDE PARTIES FOR EXAMINATION WITHOUT TEKNION CONSENT. THIS DRAWING MUST NOT BE SCALED OR USED FOR CONSTRUCTION PURPOSES

Publish Date: Feb 23 2026

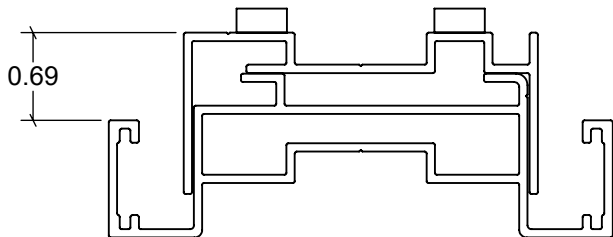
teknion



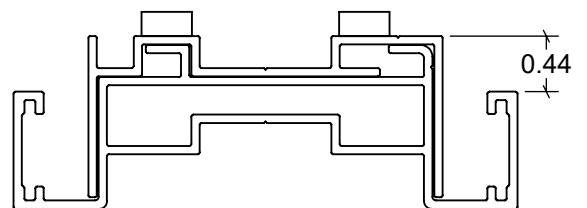
PLUS 1/2



PLUS 1/4



NOMINAL



MINUS 1/4

1C GLASS PANEL ASSEMBLY

A03 CEILING SPACER AND BEAM - CEILING ADJUSTMENT LEVELS

OPTOS LP - FRAMES

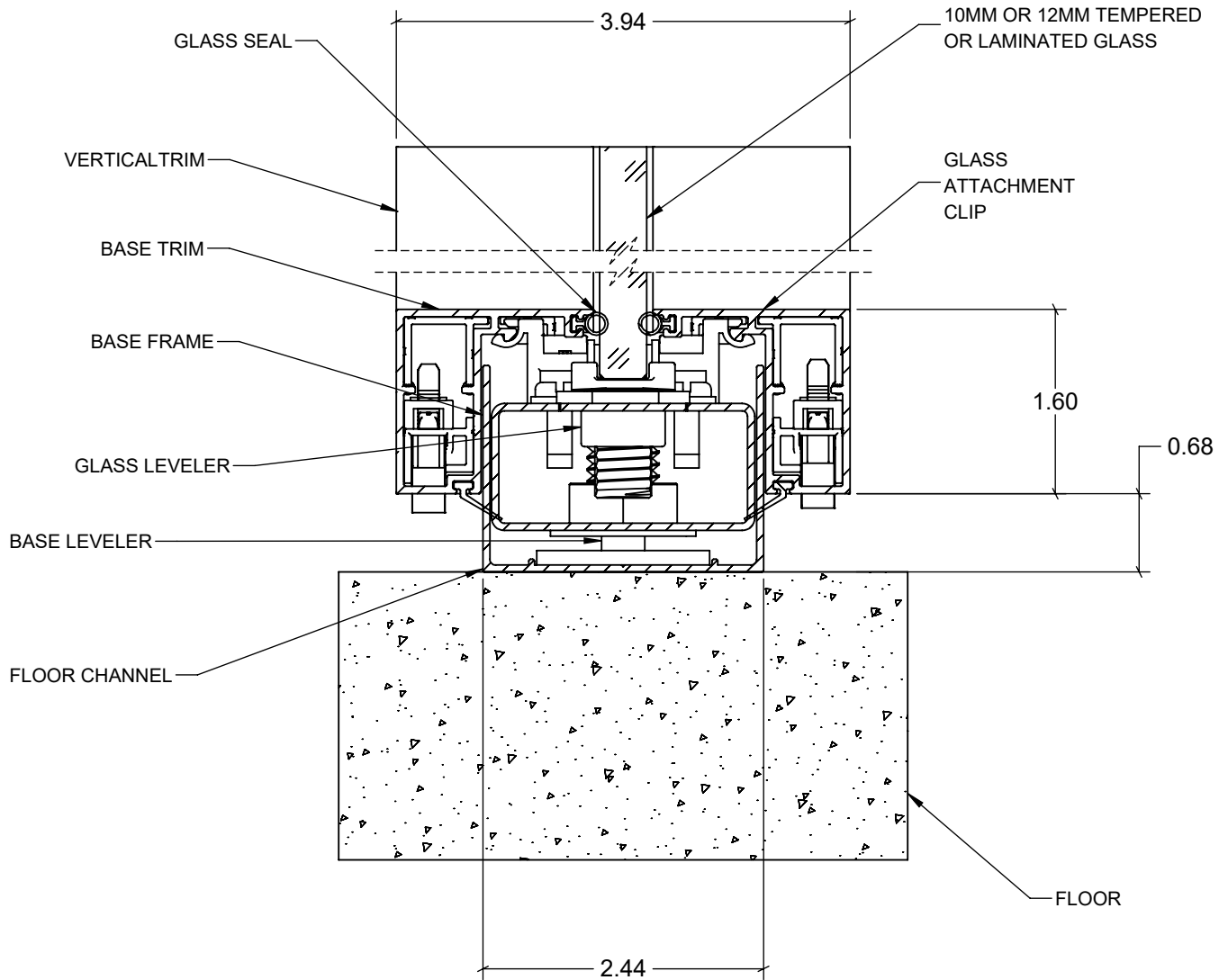
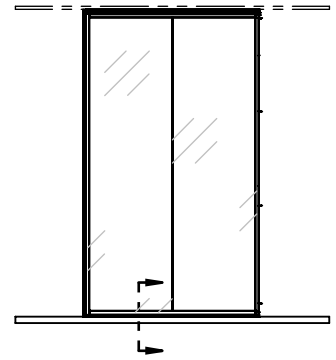
MODIFIED SEPTEMBER 29, 2024

UNIT INCH SCALE 1:64

THIS DRAWING IS THE PROPERTY OF TEKNION LIMITED AND IS SUBJECT TO RETURN UPON DEMAND. IT MUST NOT BE SUBMITTED TO ANY OUTSIDE PARTIES FOR EXAMINATION WITHOUT TEKNION CONSENT. THIS DRAWING MUST NOT BE SCALED OR USED FOR CONSTRUCTION PURPOSES

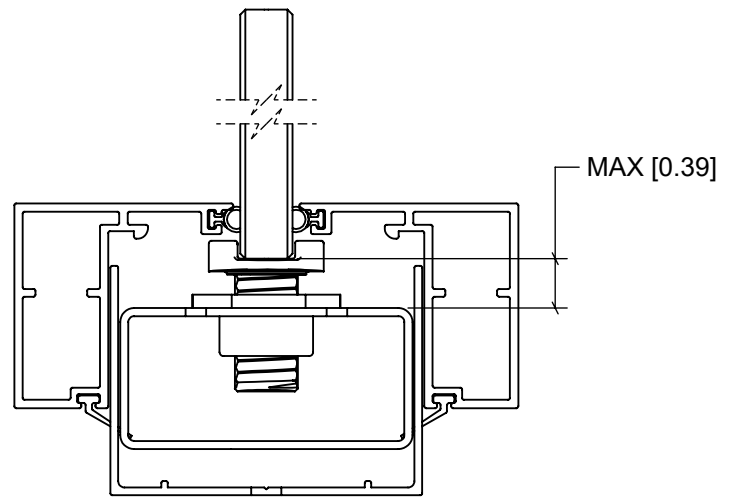
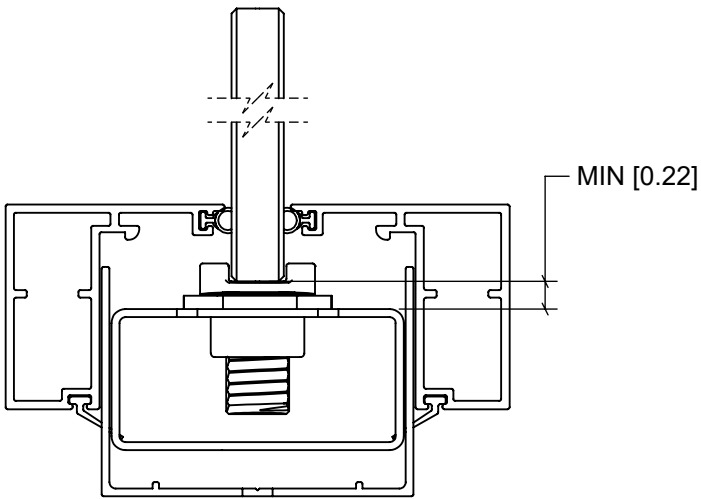
Publish Date: Feb 23 2026

teknion



2A  
A03

GLASS PANEL ASSEMBLY  
BASE FRAME AND CHANNEL - BOTTOM WITH LEVELING



2B-1 GLASS PANEL ASSEMBLY

A03 BASE FRAME AND CHANNEL - GLASS LEVELER ADJUSTMENT

OPTOS LP - FRAMES

MODIFIED SEPTEMBER 29, 2024

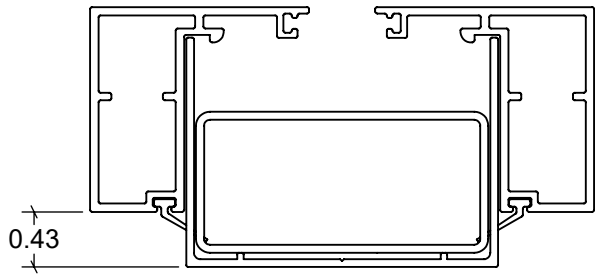
UNIT INCH

SCALE 1:4

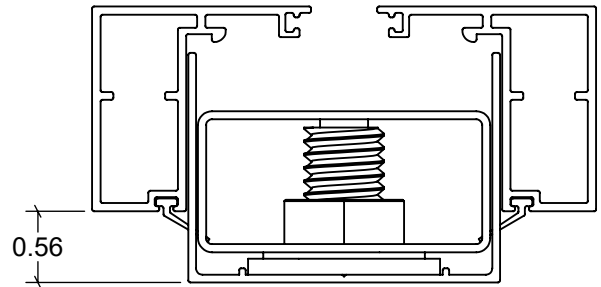
THIS DRAWING IS THE PROPERTY OF TEKNION LIMITED AND IS SUBJECT TO RETURN UPON DEMAND. IT MUST NOT BE SUBMITTED TO ANY OUTSIDE PARTIES FOR EXAMINATION WITHOUT TEKNION CONSENT. THIS DRAWING MUST NOT BE SCALED OR USED FOR CONSTRUCTION PURPOSES

Publish Date: Feb 23 2026

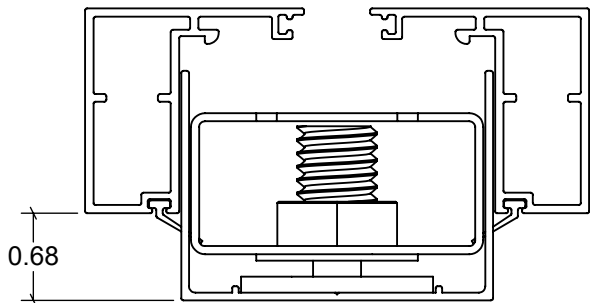
teknion



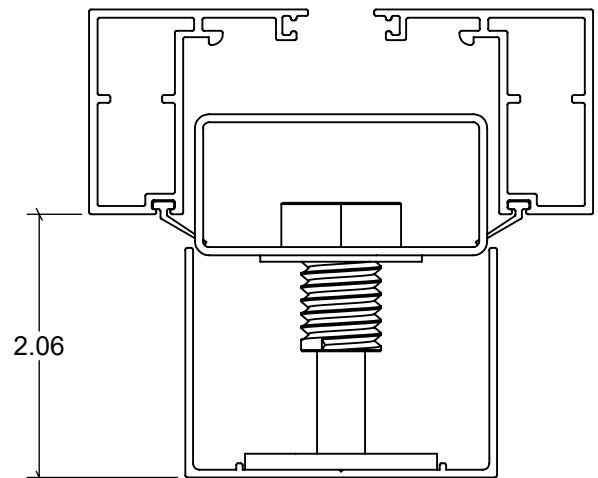
BASE LEVELER REMOVED  
MINUS 1/4



MINIMUM WITH BASE LEVELER  
MINUS 1/8



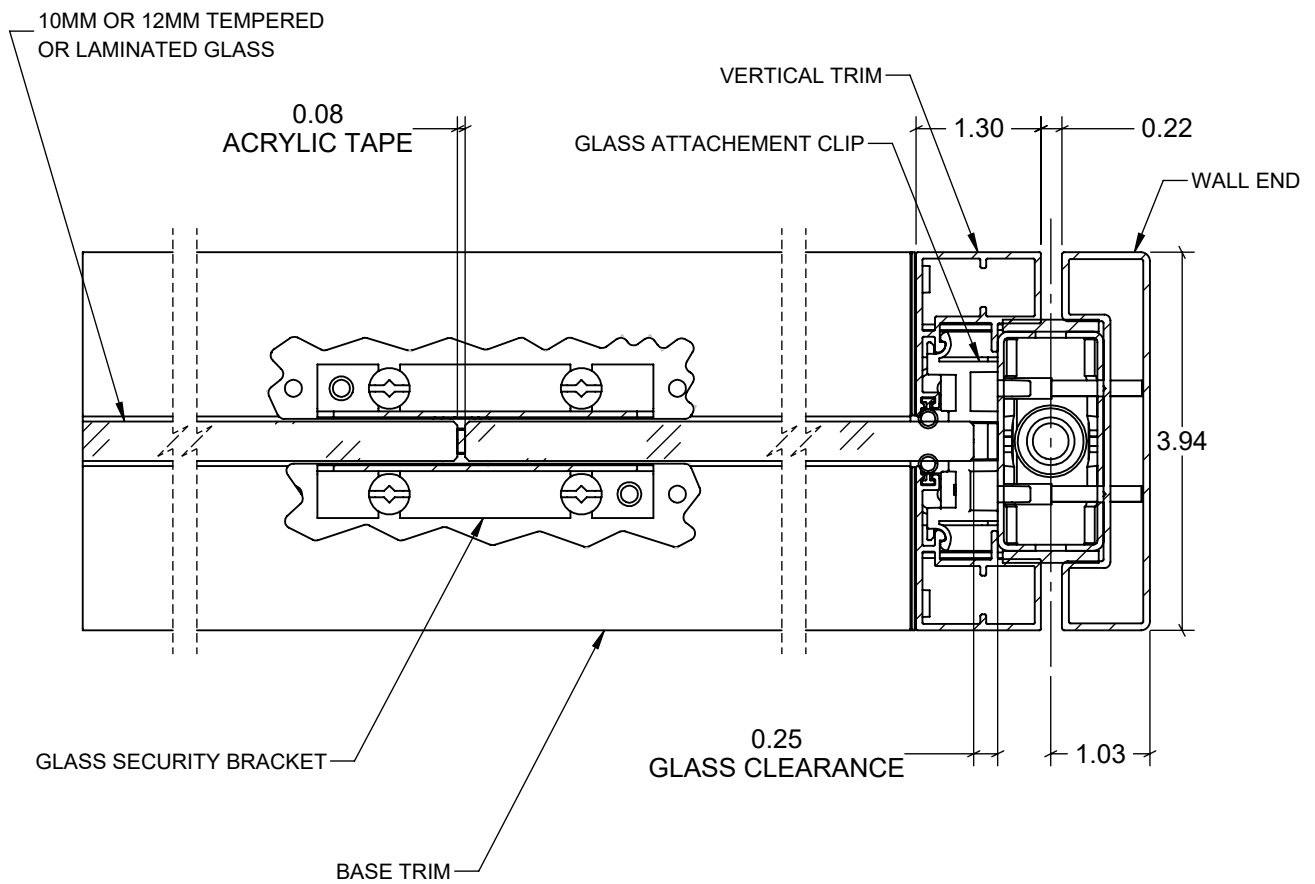
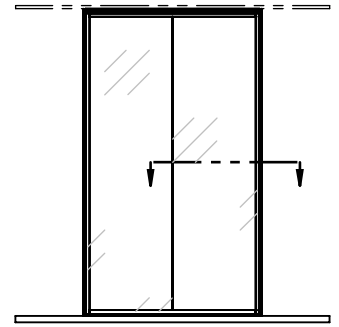
NOMINAL



MAXIMUM WITH BASE LEVELER  
PLUS 1-3/8

2B-2 GLASS PANEL ASSEMBLY

A03 BASE FRAME AND CHANNEL - BASE LEVELER ADJUSTMENT



3

GLASS PANEL ASSEMBLY

A03

GLASS WALL INLINE WITH WALL END

OPTOS LP - FRAMES

MODIFIED SEPTEMBER 29, 2024

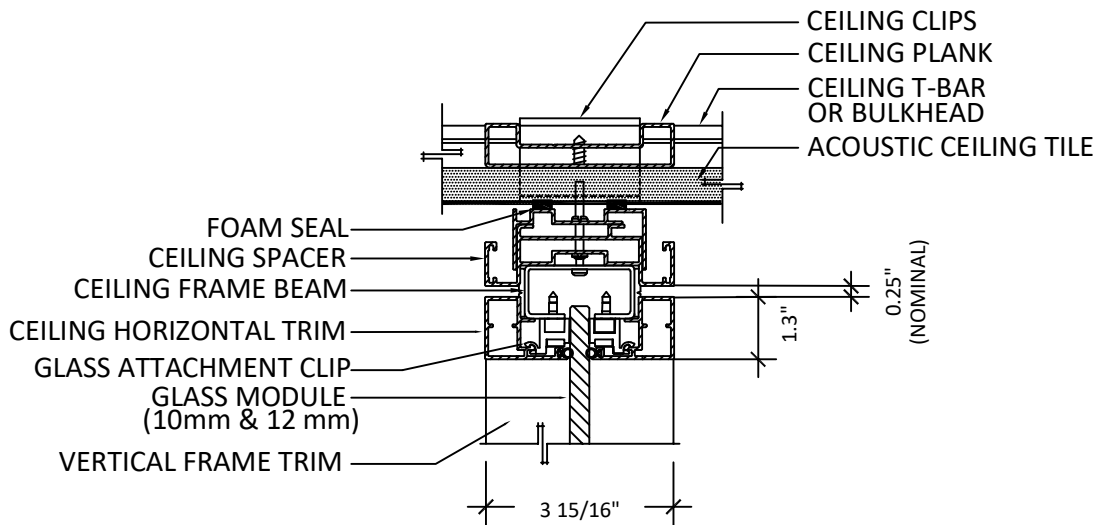
UNIT INCH

SCALE 1:4

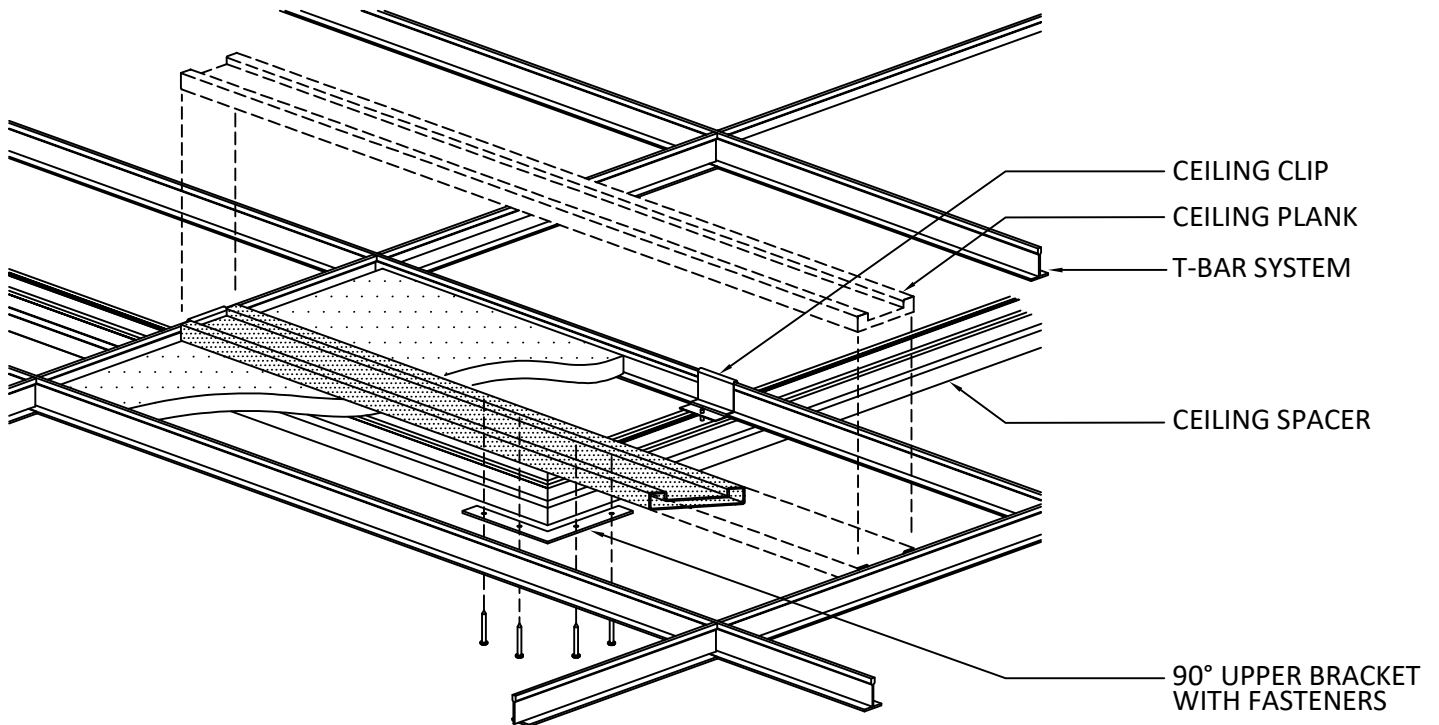
THIS DRAWING IS THE PROPERTY OF TEKNION LIMITED AND IS SUBJECT TO RETURN UPON DEMAND. IT MUST NOT BE SUBMITTED TO ANY OUTSIDE PARTIES FOR EXAMINATION WITHOUT TEKNION CONSENT. THIS DRAWING MUST NOT BE SCALED OR USED FOR CONSTRUCTION PURPOSES

Publish Date: Feb 23 2026

teknion



**VERTICAL SECTION THROUGH TOP GLASS FRAME WITH PLANK DETAIL**



**1 CEILING SUPPORTS REINFORCEMENT CEILING PLANK**

FRAMES

1'-0"=1'-0"

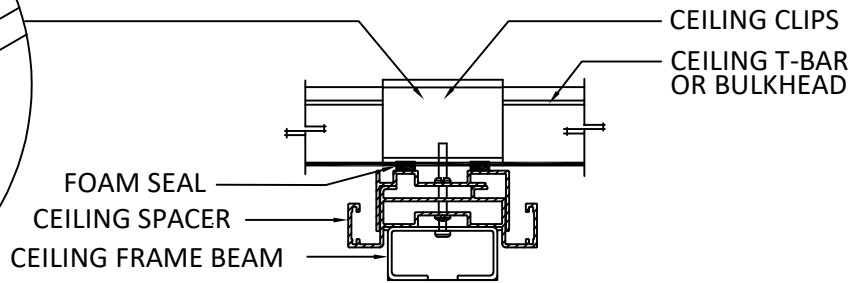
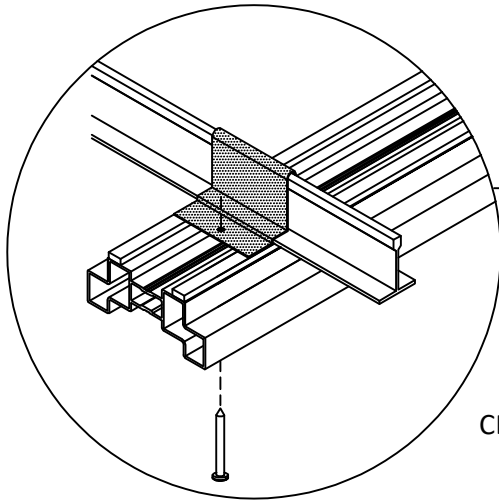
OPTOS DETAILING PACKAGE

NOV 01, 2024

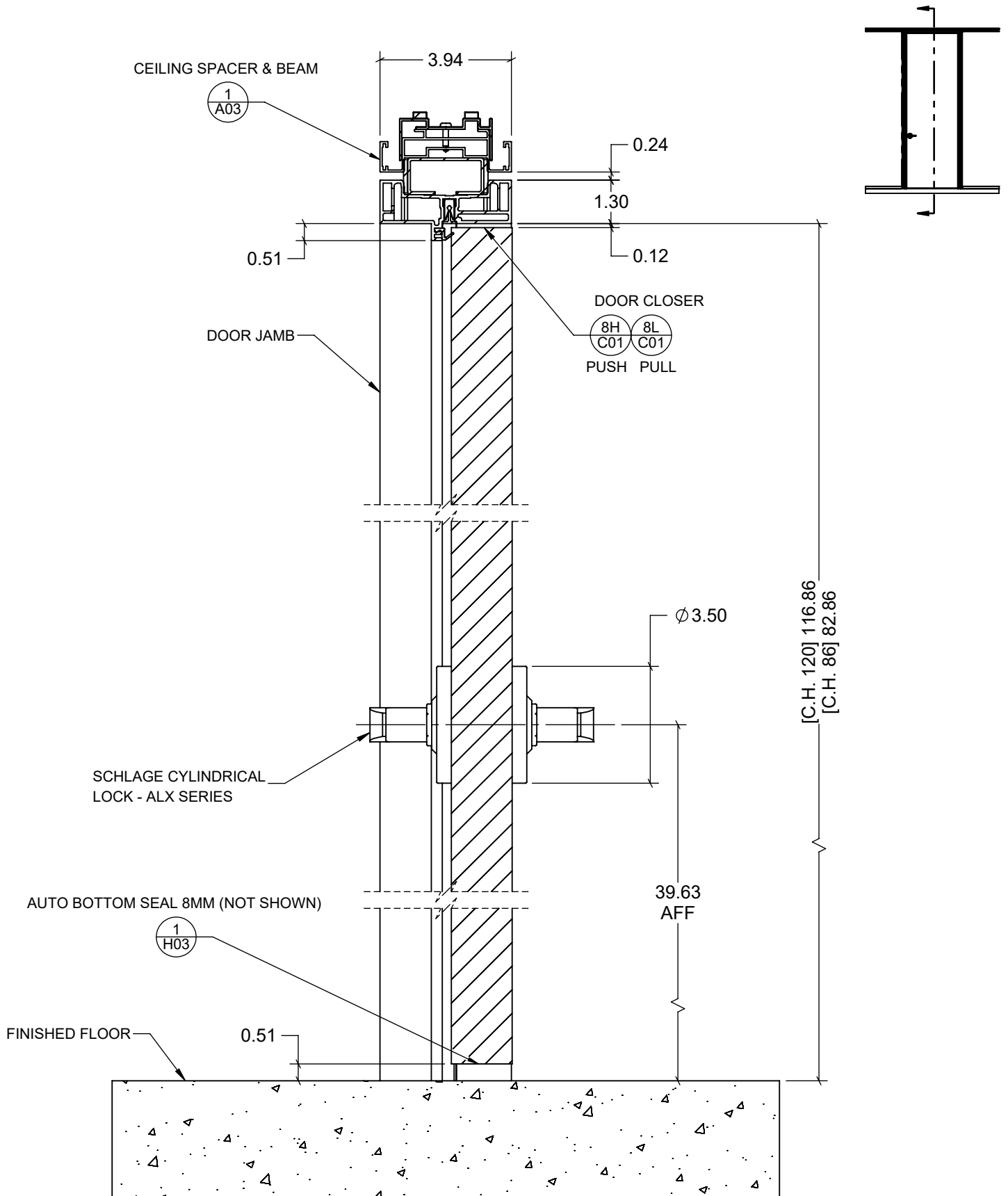
REV02

A04 - 1

This drawing is the property of Teknion Limited and is subject to return upon demand. It must not be copied or reproduced in any manner, nor submitted to any outside parties for examination without Teknion consent. This drawing must not be scaled, or used for construction purposes.



**1** CEILING SUPPORTS  
 CLIP FOR T - BAR, SQUARE EDGE CEILING TILE



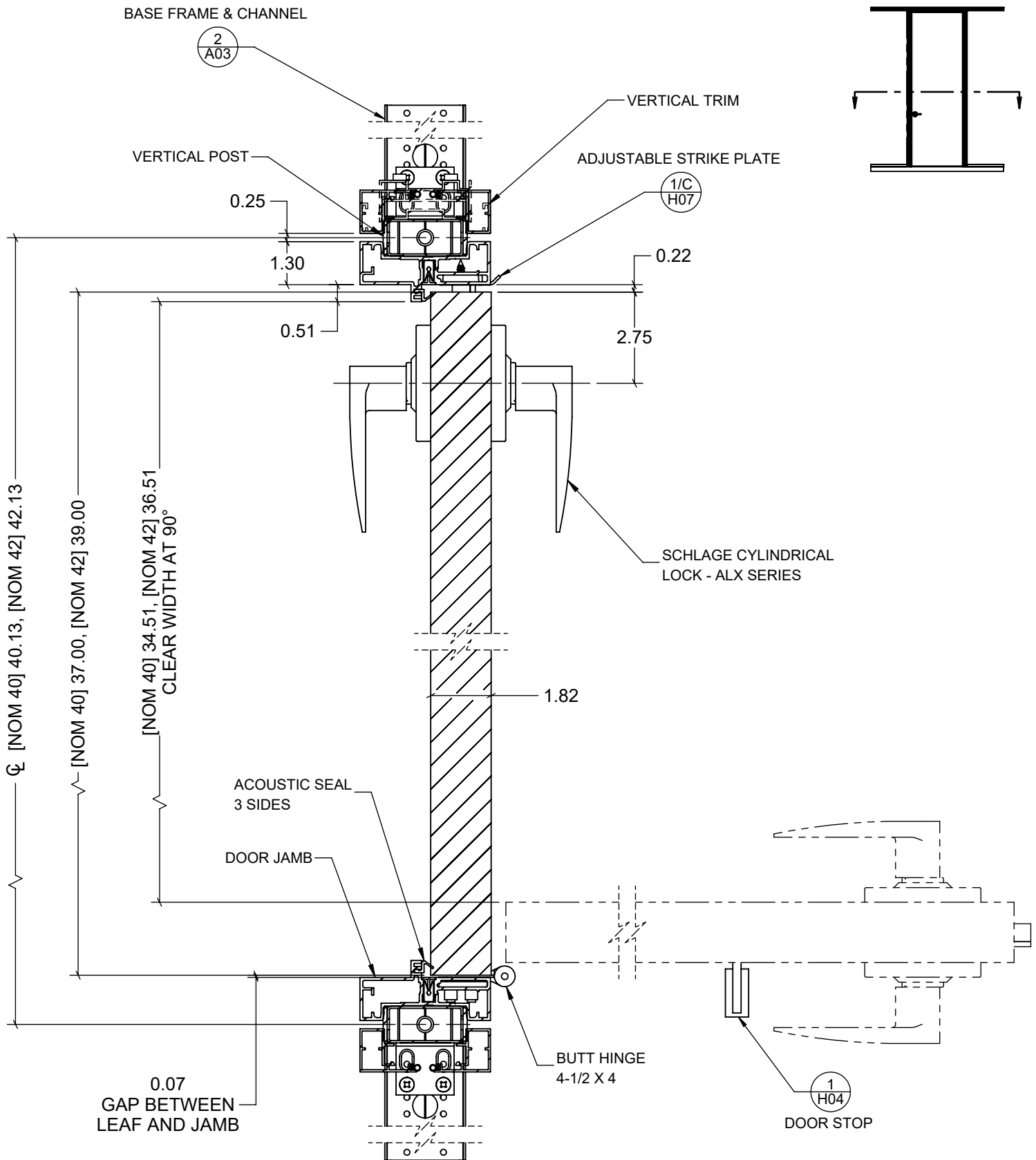
1/V SOLID HINGED DOOR LEAF SINGLE  
 C01 WITH JAMB AND CYLINDRICAL LOCK ALX

OPTOS LP - SWING DOOR DETAIL

MODIFIED SEPTEMBER 29, 2024

UNIT INCH

SCALE 1:4



1/H SOLID HINGED DOOR LEAF SINGLE  
 C01 WITH JAMB AND CYLINDRICAL LOCK ALX

OPTOS LP - SWING DOOR DETAIL

MODIFIED SEPTEMBER 29, 2024

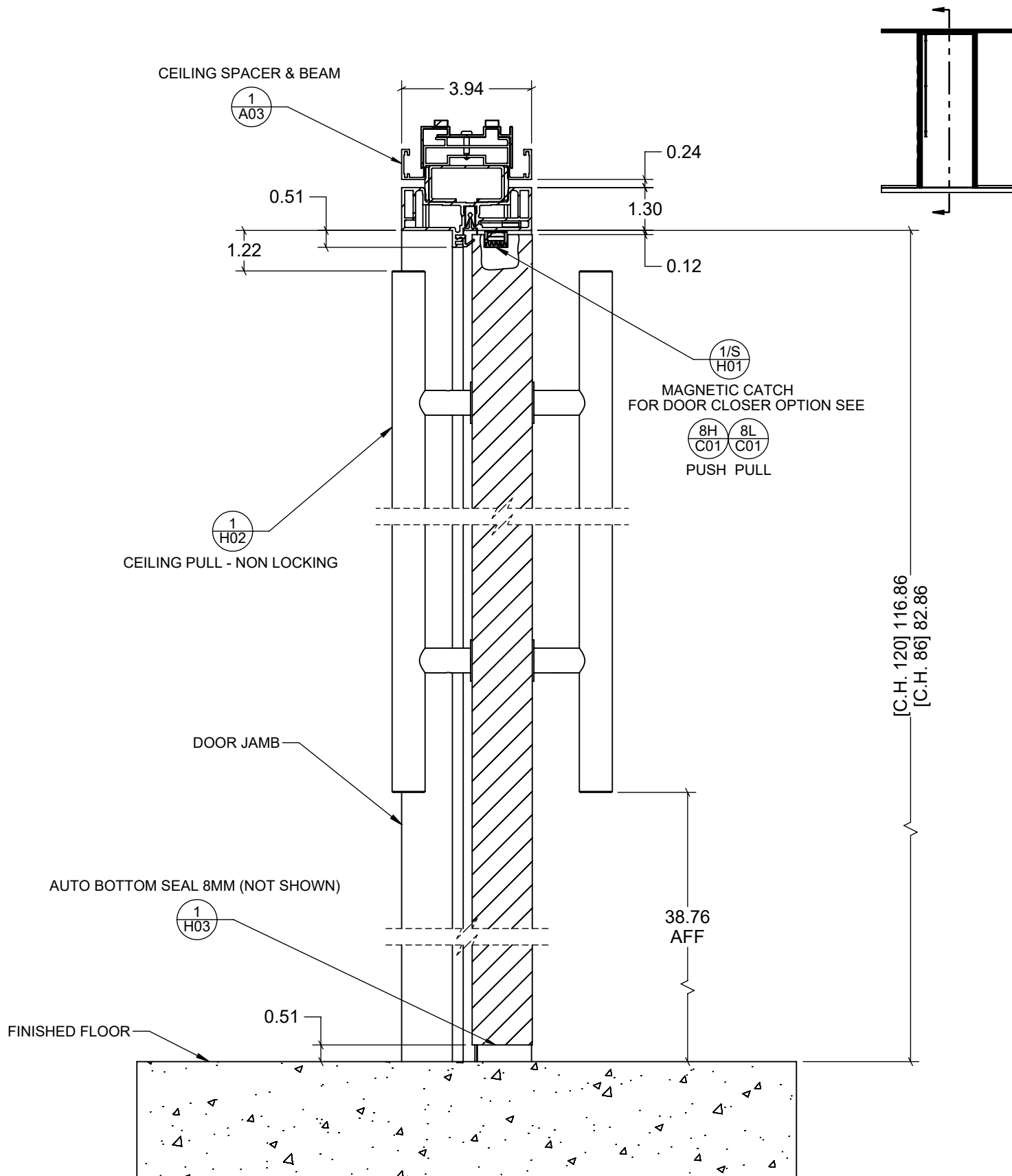
UNIT INCH

SCALE 1:4

THIS DRAWING IS THE PROPERTY OF TEKNION LIMITED AND IS SUBJECT TO RETURN UPON DEMAND. IT MUST NOT BE SUBMITTED TO ANY OUTSIDE PARTIES FOR EXAMINATION WITHOUT TEKNION CONSENT. THIS DRAWING MUST NOT BE SCALED OR USED FOR CONSTRUCTION PURPOSES

Publish Date: Feb 23 2026





2/V SOLID HINGED DOOR LEAF SINGLE  
 C01 WITH JAMB AND CEILING PULL - NON LOCKING

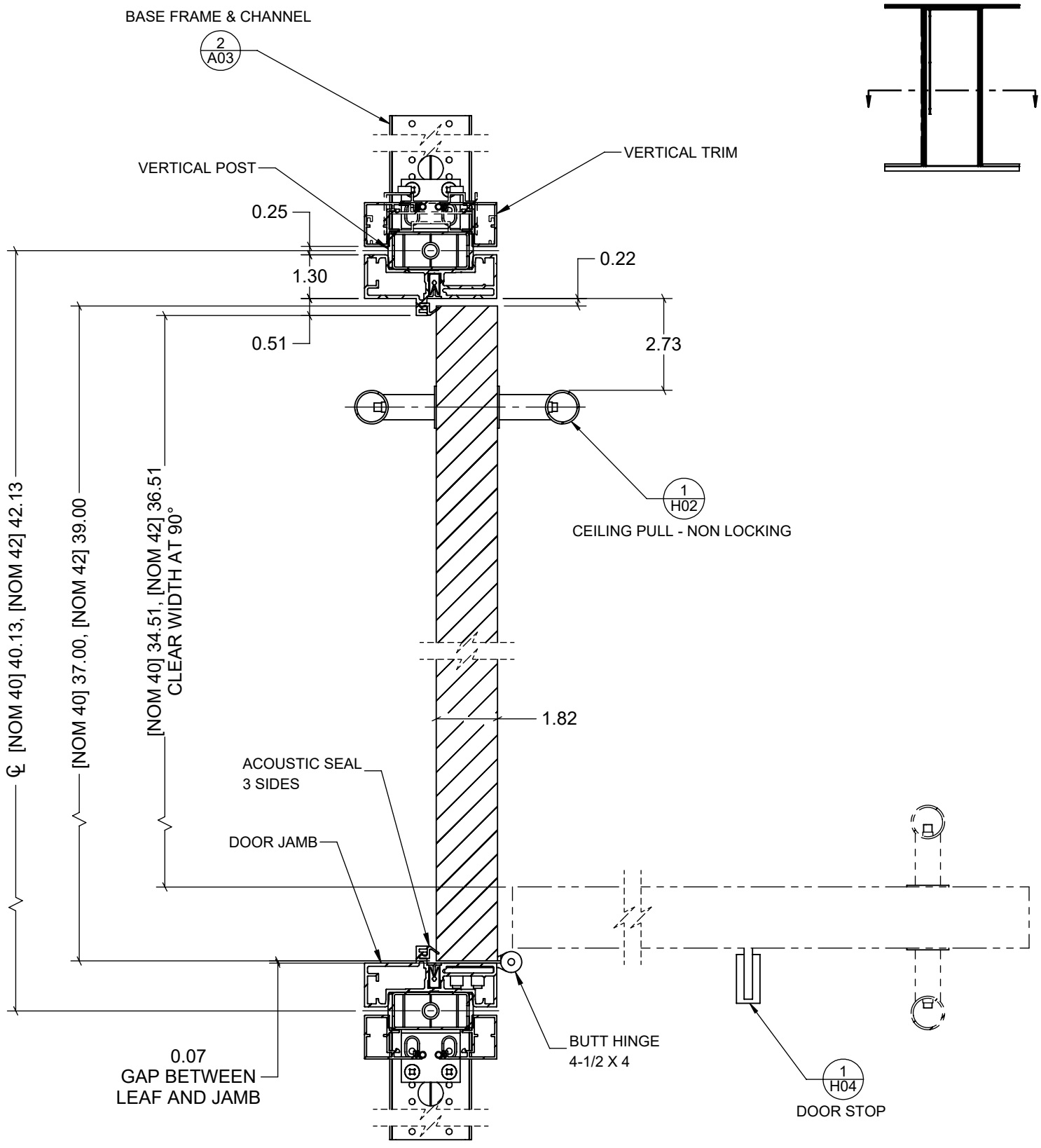
OPTOS LP - SWING DOOR DETAIL

MODIFIED	SEPTEMBER 29, 2024	UNIT	INCH	SCALE	1:4
----------	--------------------	------	------	-------	-----

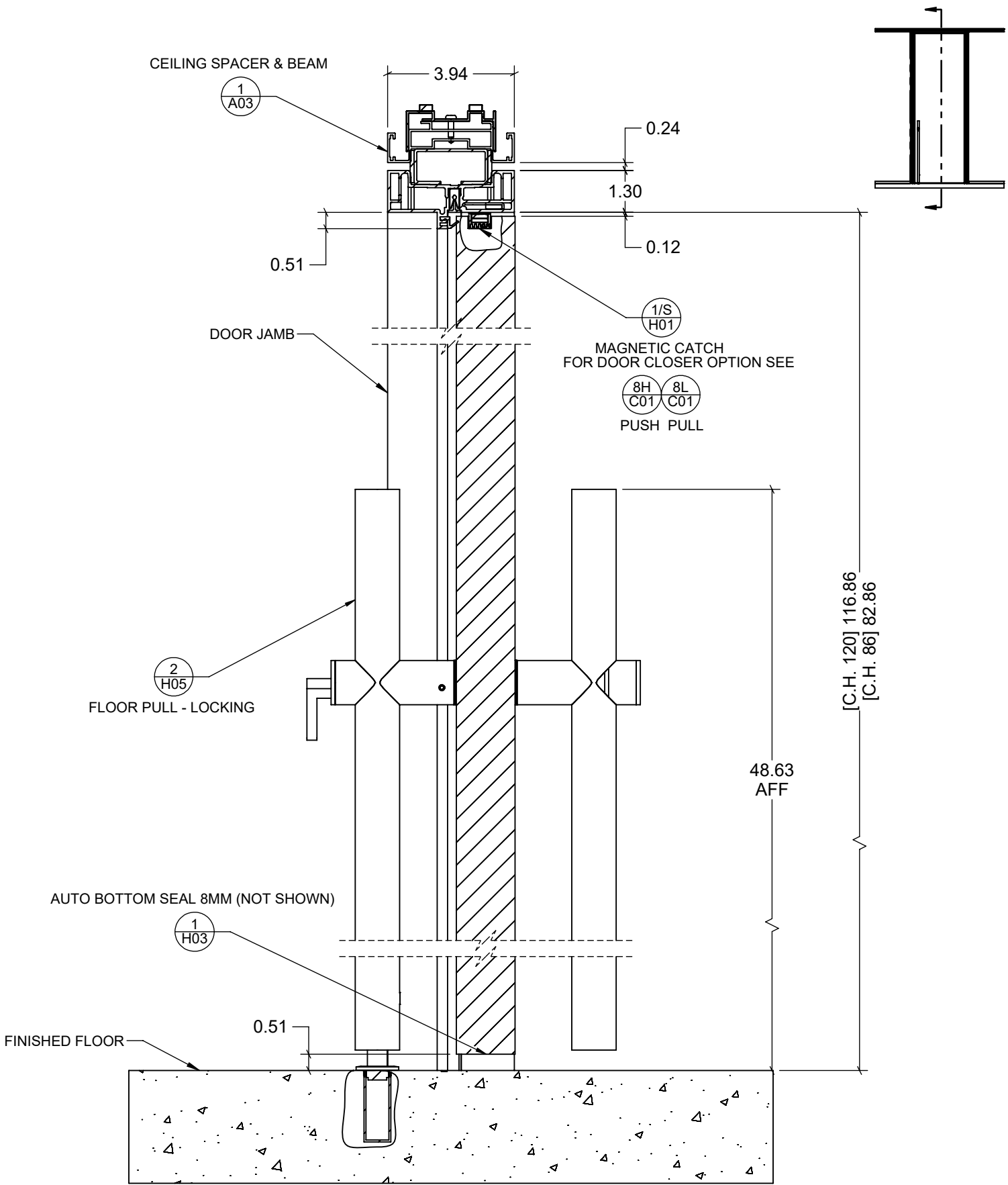
THIS DRAWING IS THE PROPERTY OF TEKNION LIMITED AND IS SUBJECT TO RETURN UPON DEMAND. IT MUST NOT BE SUBMITTED TO ANY OUTSIDE PARTIES FOR EXAMINATION WITHOUT TEKNION CONSENT. THIS DRAWING MUST NOT BE SCALED OR USED FOR CONSTRUCTION PURPOSES



Publish Date: Feb 23 2026



2/H SOLID HINGED DOOR LEAF SINGLE  
C01 WITH JAMB AND CEILING PULL - NON LOCKING



3/V SOLID HINGED DOOR LEAF SINGLE  
 C01 WITH JAMB AND FLOOR PULL - LOCKING

OPTOS LP - SWING DOOR DETAIL

MODIFIED SEPTEMBER 29, 2024

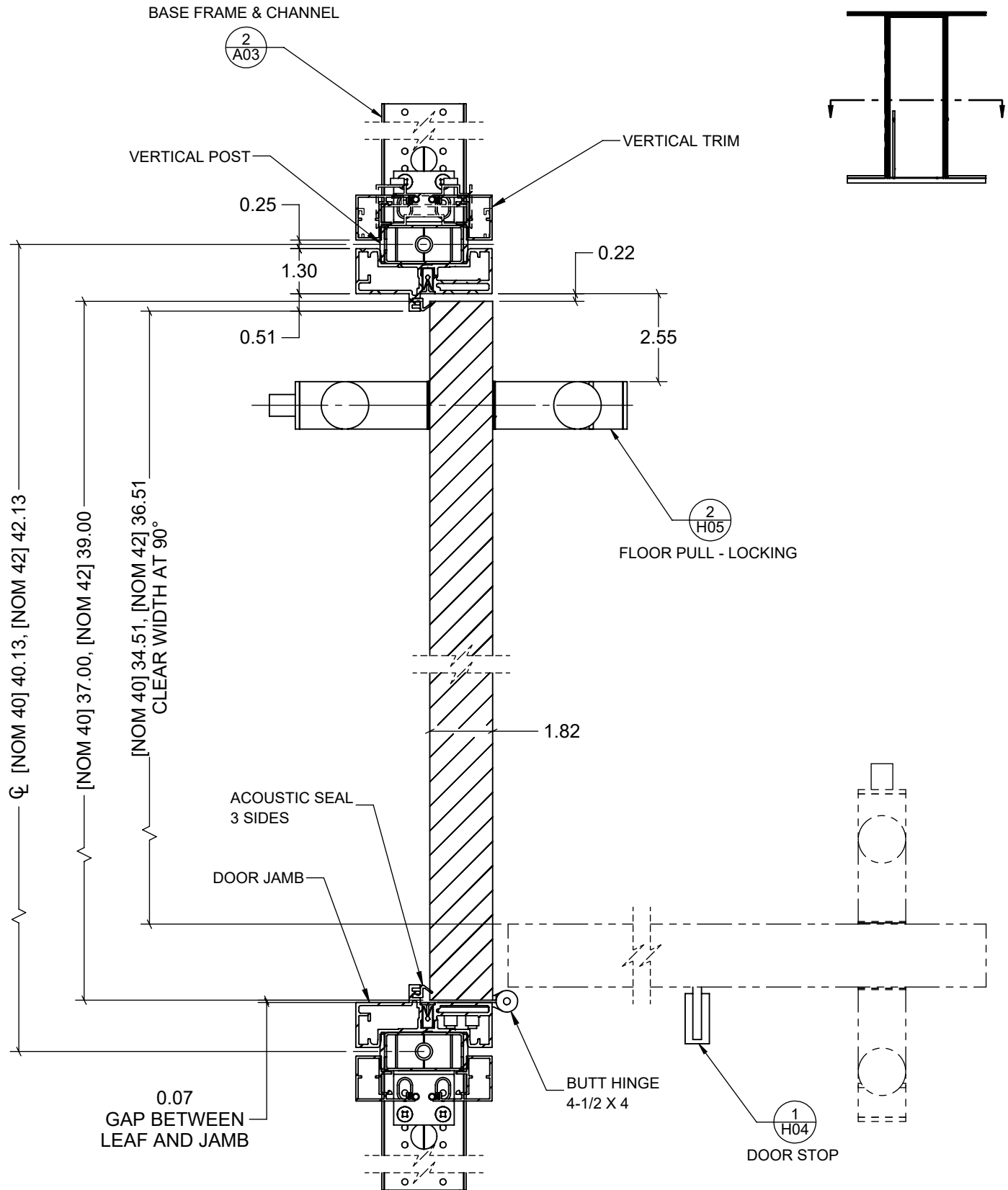
UNIT INCH

SCALE 1:4

THIS DRAWING IS THE PROPERTY OF TEKNION LIMITED AND IS SUBJECT TO RETURN UPON DEMAND. IT MUST NOT BE SUBMITTED TO ANY OUTSIDE PARTIES FOR EXAMINATION WITHOUT TEKNION CONSENT. THIS DRAWING MUST NOT BE SCALED OR USED FOR CONSTRUCTION PURPOSES

Publish Date: Feb 23 2026





3/H SOLID HINGED DOOR LEAF SINGLE  
 C01 WITH JAMB AND FLOOR PULL - LOCKING

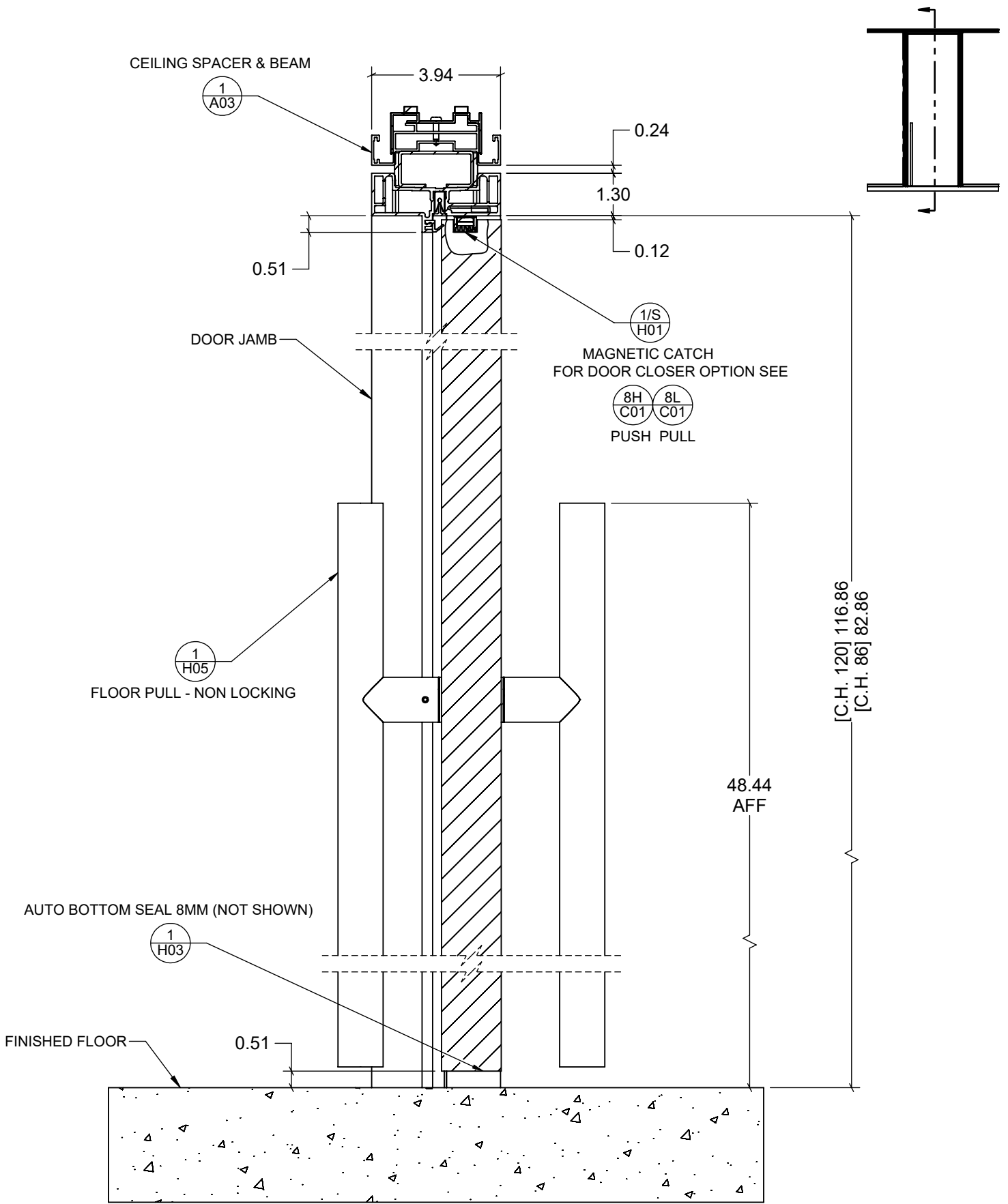
OPTOS LP - SWING DOOR DETAIL

MODIFIED SEPTEMBER 29, 2024 UNIT INCH SCALE 1:4

THIS DRAWING IS THE PROPERTY OF TEKNION LIMITED AND IS SUBJECT TO RETURN UPON DEMAND. IT MUST NOT BE SUBMITTED TO ANY OUTSIDE PARTIES FOR EXAMINATION WITHOUT TEKNION CONSENT. THIS DRAWING MUST NOT BE SCALED OR USED FOR CONSTRUCTION PURPOSES

Publish Date: Feb 23 2026





4/V SOLID HINGED DOOR LEAF SINGLE  
 C01 WITH JAMB AND FLOOR PULL - NON LOCKING

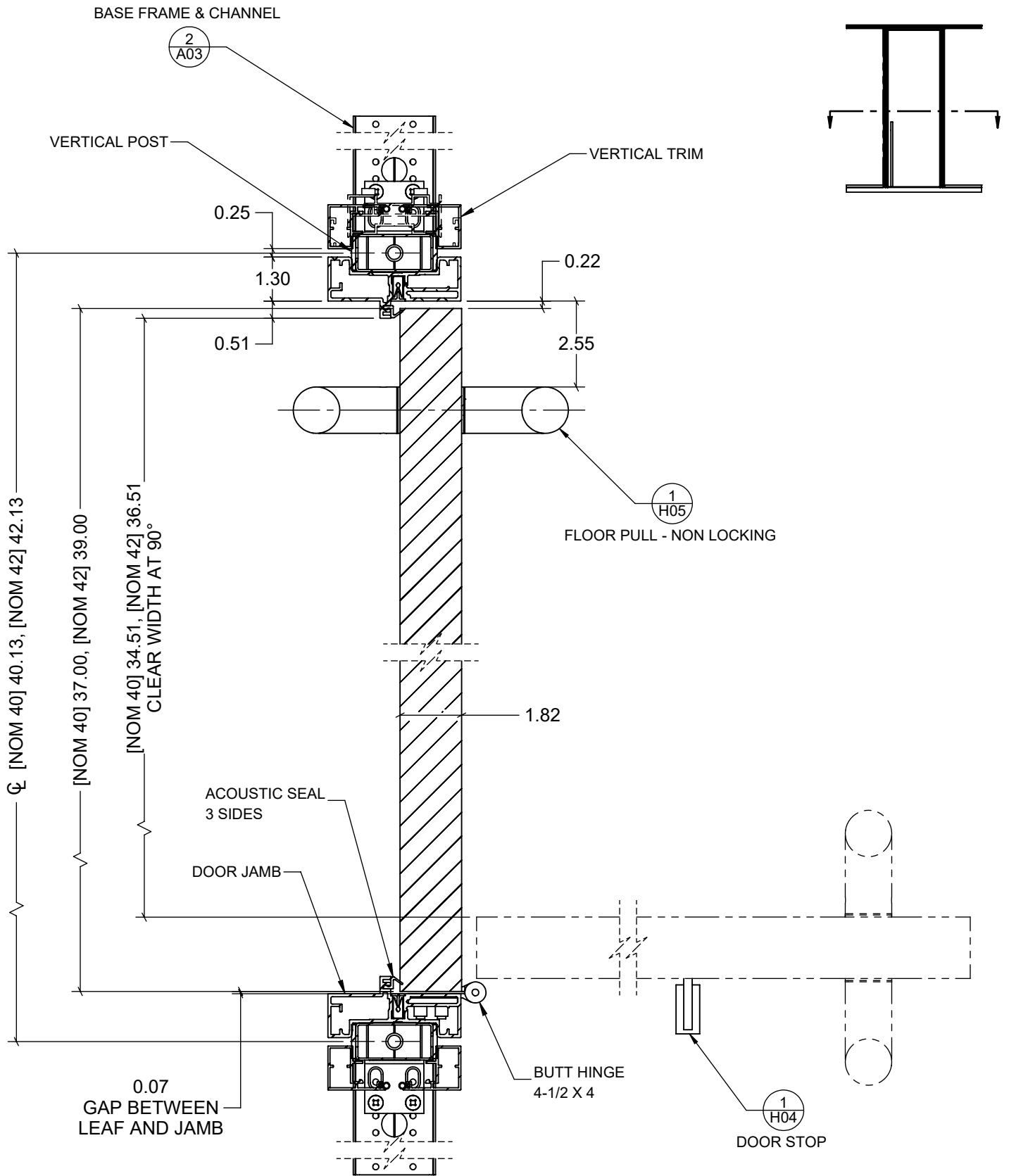
OPTOS LP - SWING DOOR DETAIL

MODIFIED	SEPTEMBER 29, 2024	UNIT	INCH	SCALE	1:4
----------	--------------------	------	------	-------	-----

THIS DRAWING IS THE PROPERTY OF TEKNION LIMITED AND IS SUBJECT TO RETURN UPON DEMAND. IT MUST NOT BE SUBMITTED TO ANY OUTSIDE PARTIES FOR EXAMINATION WITHOUT TEKNION CONSENT. THIS DRAWING MUST NOT BE SCALED OR USED FOR CONSTRUCTION PURPOSES

Publish Date: Feb 23 2026

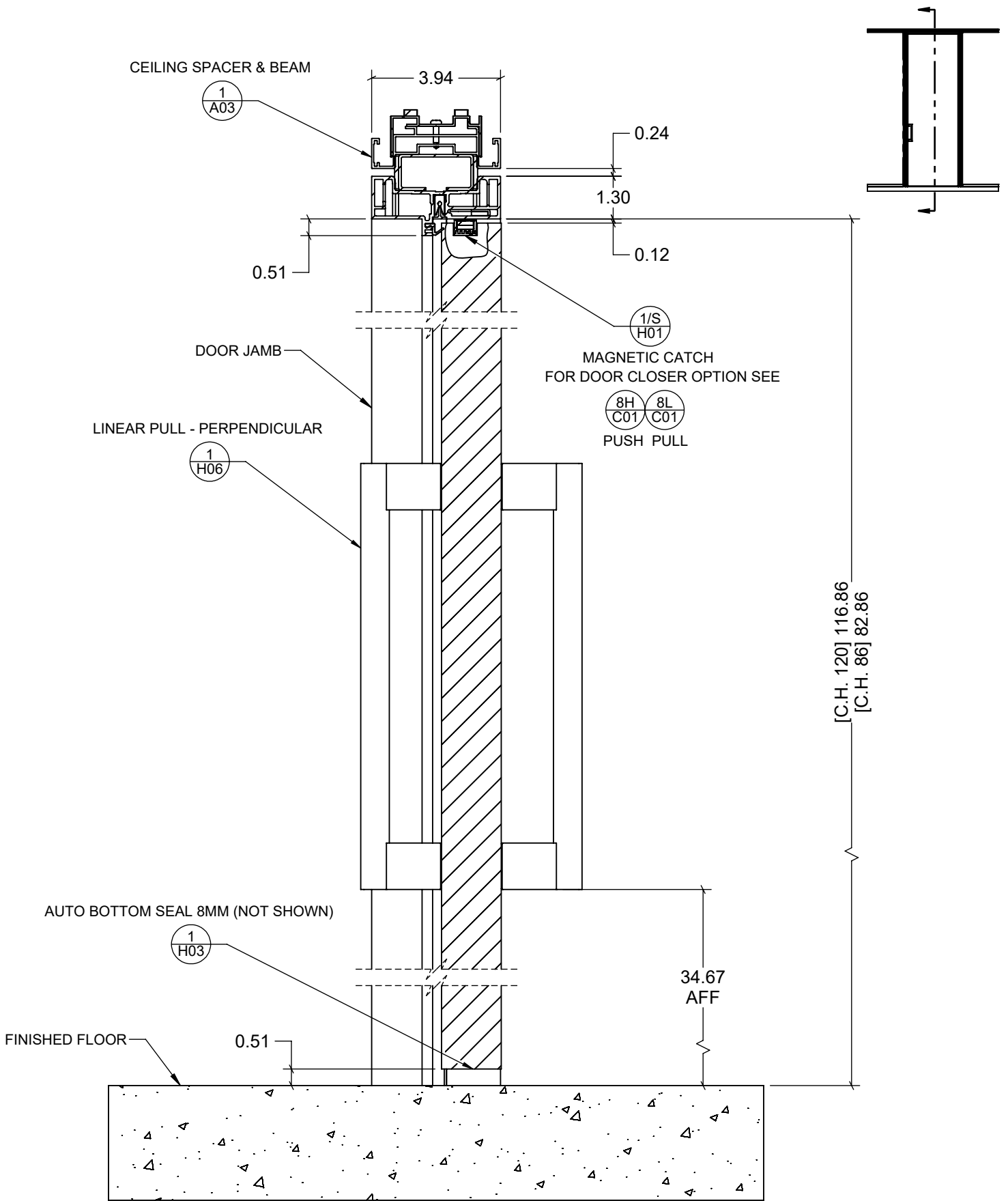




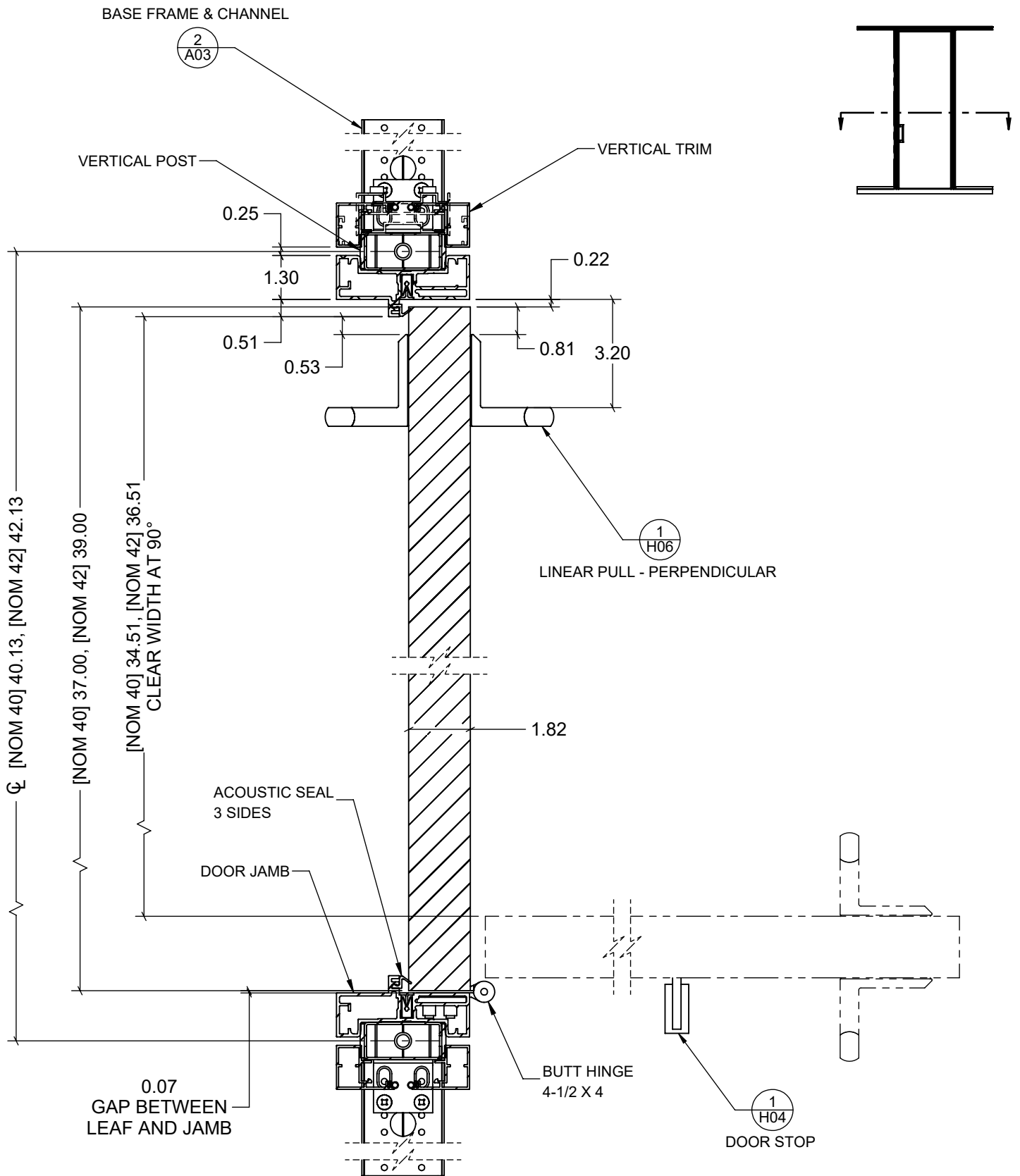
4/H SOLID HINGED DOOR LEAF SINGLE  
 C01 WITH JAMB AND FLOOR PULL - NON LOCKING

OPTOS LP - SWING DOOR DETAIL

MODIFIED SEPTEMBER 29, 2024 UNIT INCH SCALE 1:4



5/V SOLID HINGED DOOR LEAF SINGLE  
 C01 WITH JAMB AND LINEAR PULL - PERPENDICULAR



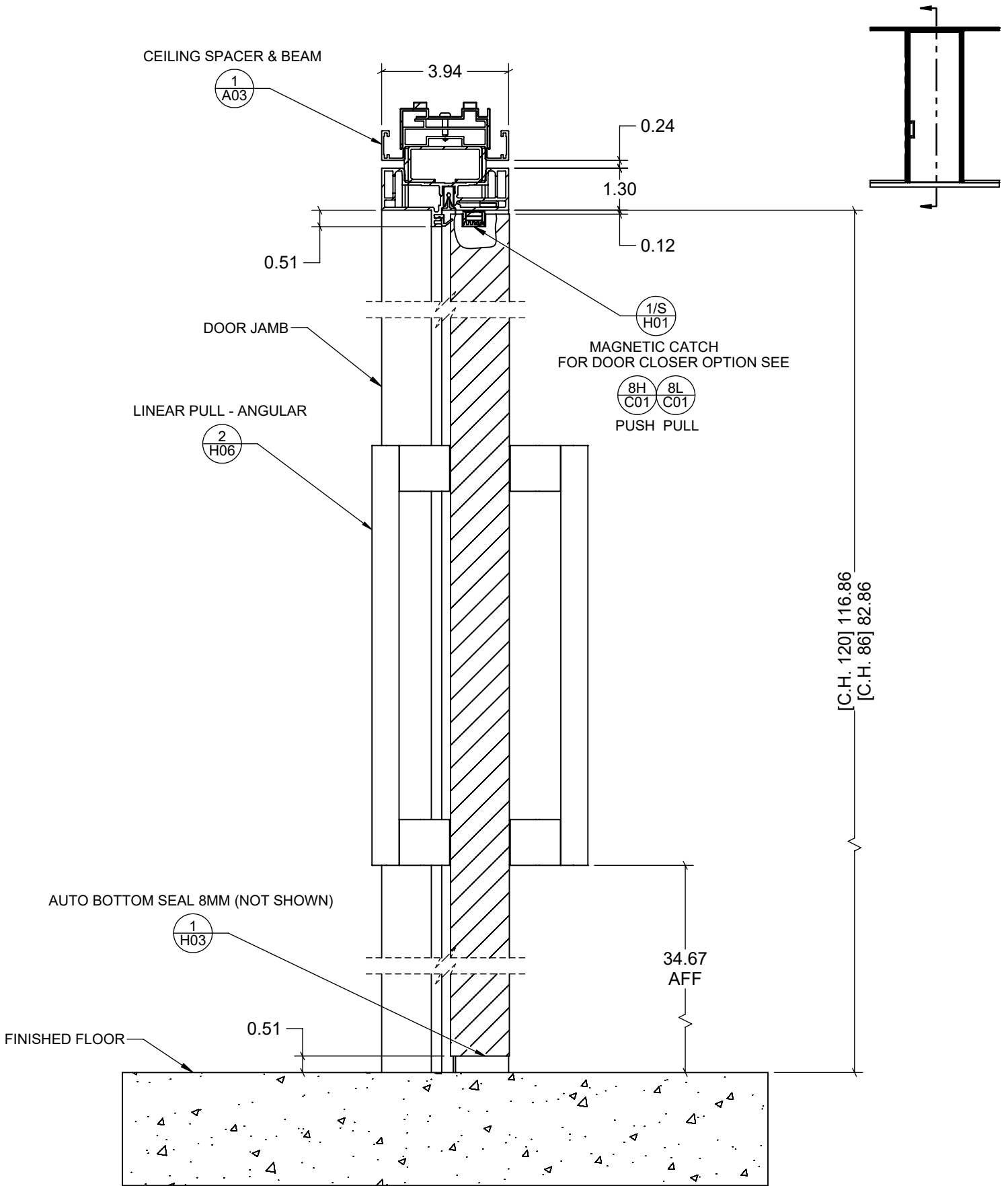
5/H SOLID HINGED DOOR LEAF SINGLE  
C01 WITH JAMB AND LINEAR PULL - PERPENDICULAR

OPTOS LP - SWING DOOR DETAIL

MODIFIED SEPTEMBER 29, 2024

UNIT INCH

SCALE 1:4



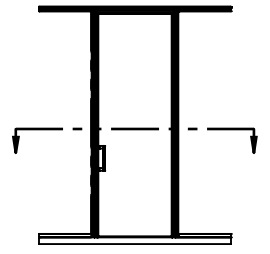
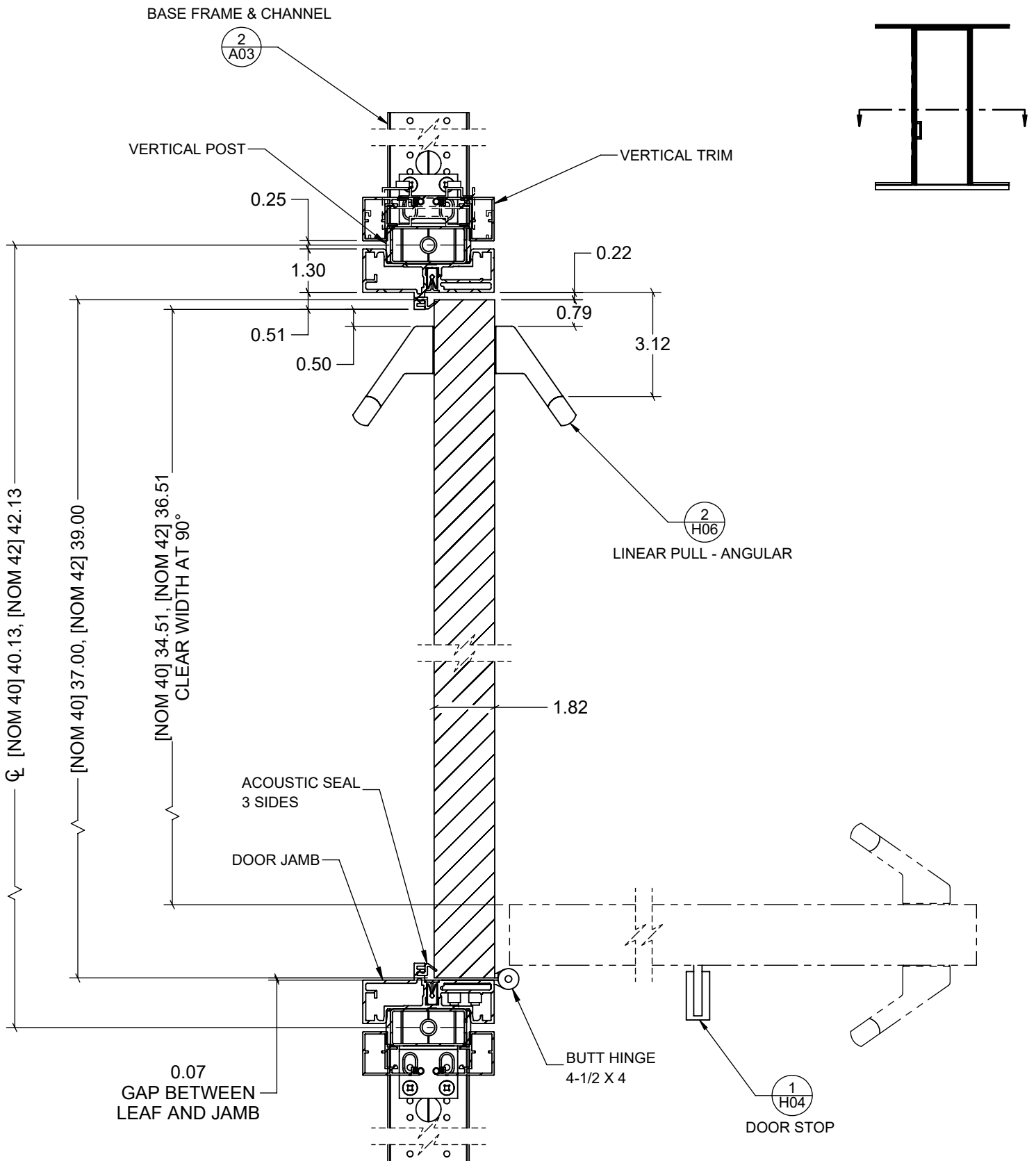
6/V SOLID HINGED DOOR LEAF SINGLE  
C01 WITH JAMB AND LINEAR PULL - ANGULAR

OPTOS LP - SWING DOOR DETAIL

MODIFIED SEPTEMBER 29, 2024

UNIT INCH

SCALE 1:4



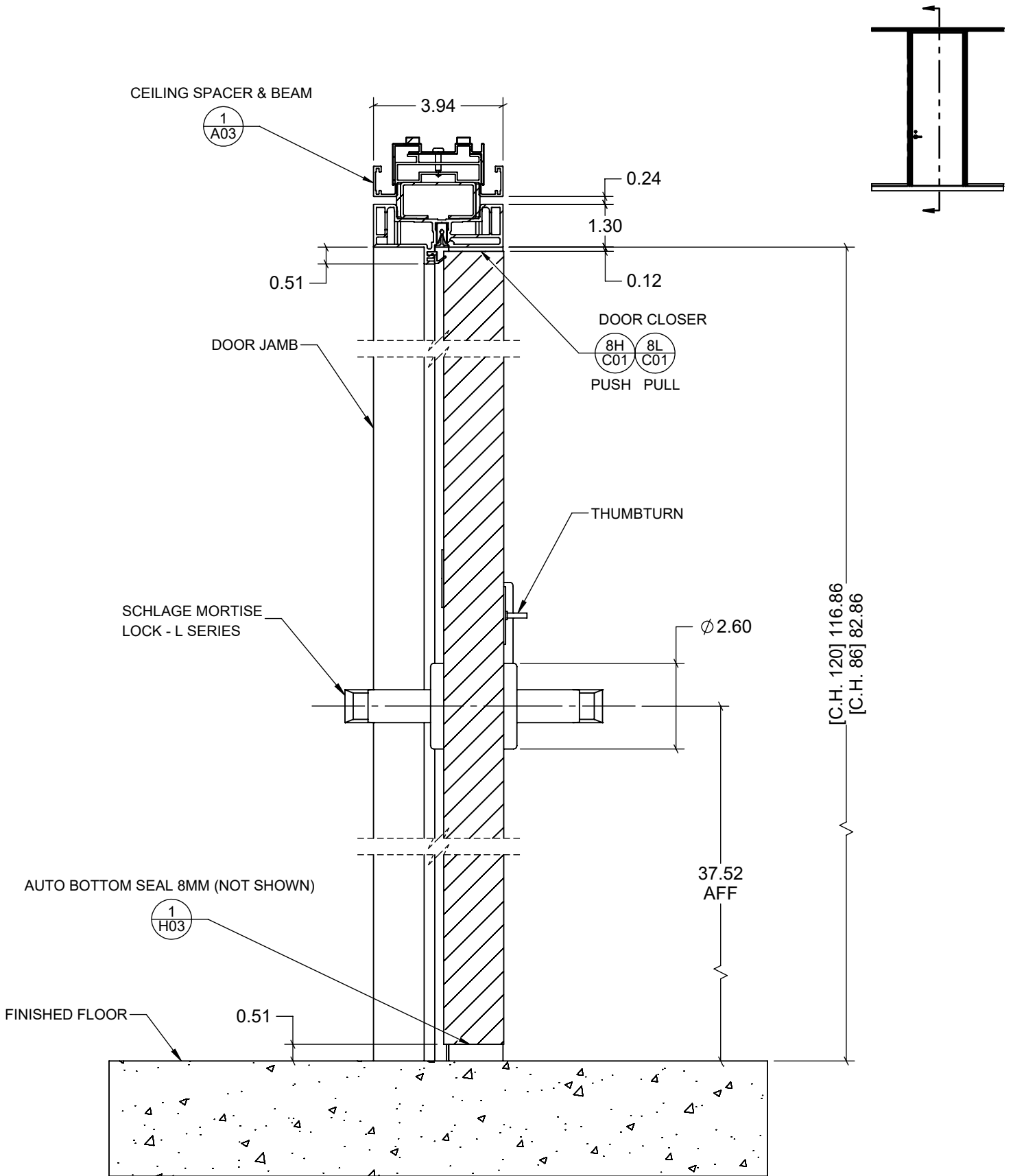
6/H SOLID HINGED DOOR LEAF SINGLE  
C01 WITH JAMB AND LINEAR PULL - ANGULAR

OPTOS LP - SWING DOOR DETAIL

MODIFIED SEPTEMBER 29, 2024

UNIT INCH

SCALE 1:4



7/V SOLID HINGED DOOR LEAF SINGLE  
C01 WITH JAMB AND MORTISE LOCK L SERIES

OPTOS LP - SWING DOOR DETAIL

MODIFIED SEPTEMBER 29, 2024

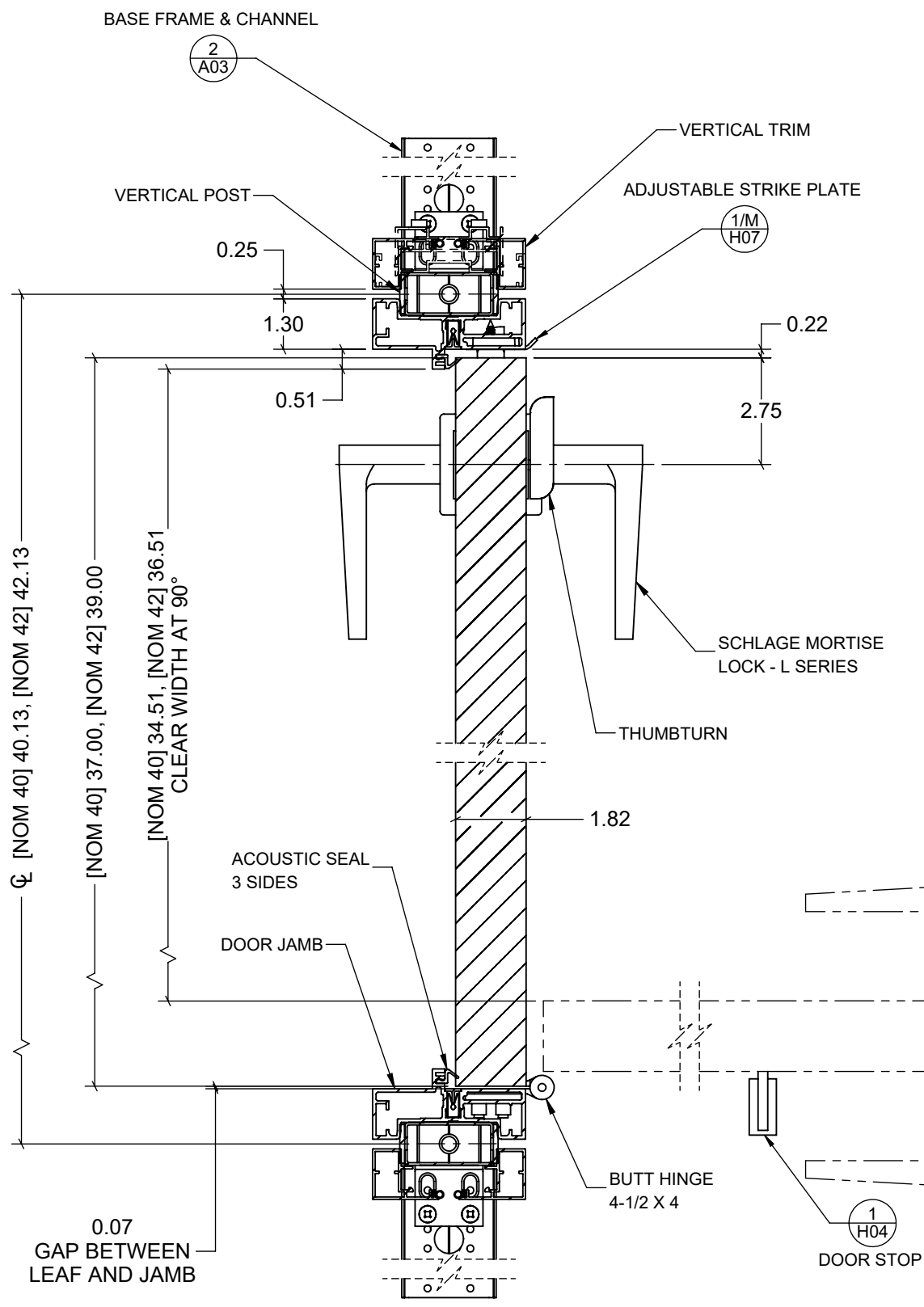
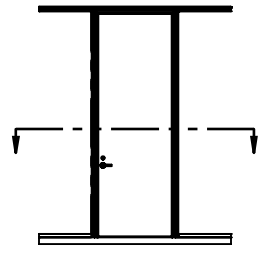
UNIT INCH

SCALE 1:4

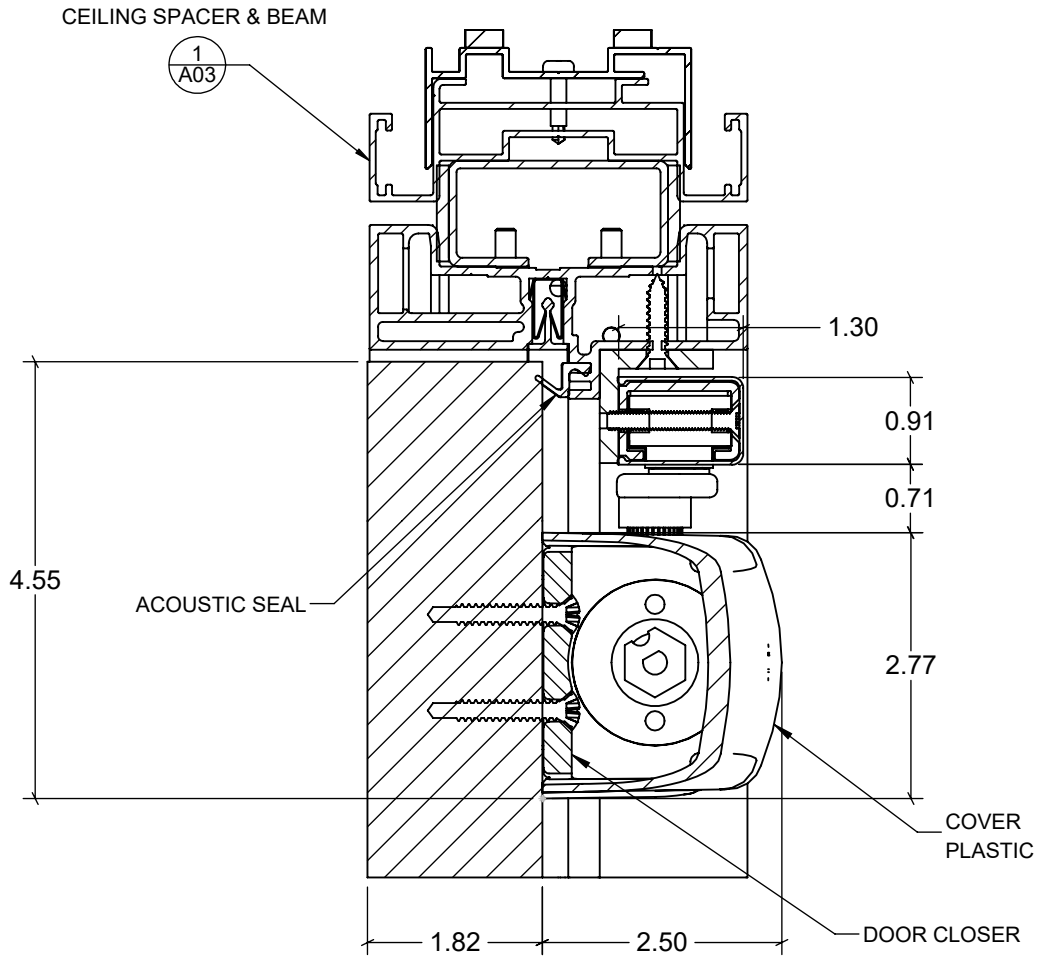
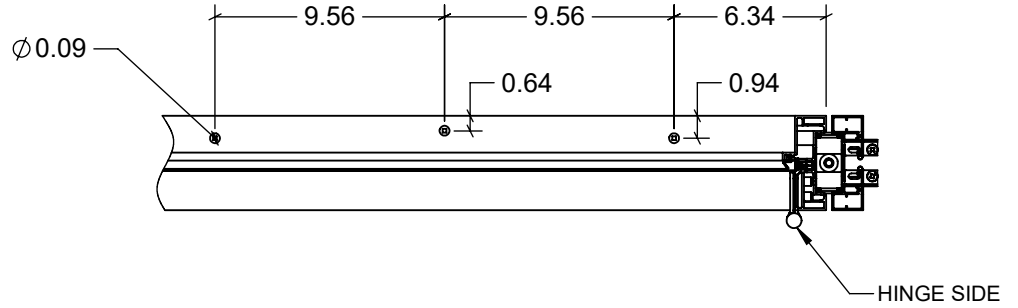
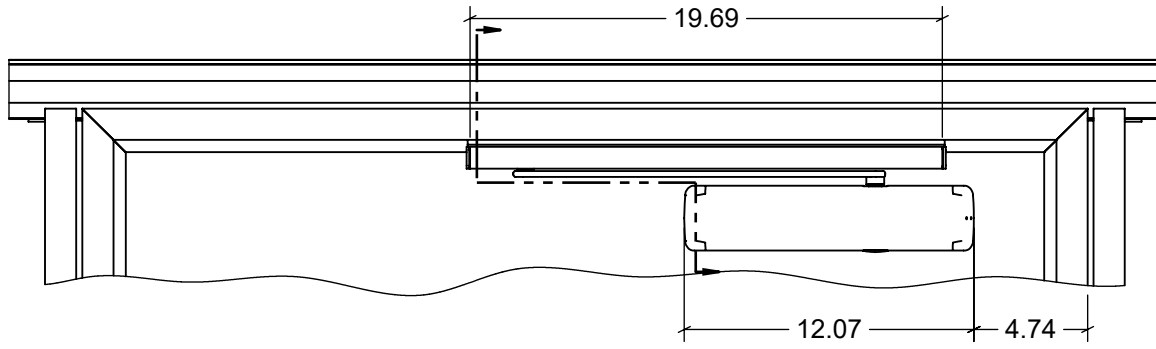
THIS DRAWING IS THE PROPERTY OF TEKNION LIMITED AND IS SUBJECT TO RETURN UPON DEMAND. IT MUST NOT BE SUBMITTED TO ANY OUTSIDE PARTIES FOR EXAMINATION WITHOUT TEKNION CONSENT. THIS DRAWING MUST NOT BE SCALED OR USED FOR CONSTRUCTION PURPOSES

Publish Date: Feb 23 2026

teknion



7/H SOLID HINGED DOOR LEAF SINGLE  
C01 WITH JAMB AND MORTISE LOCK L SERIES



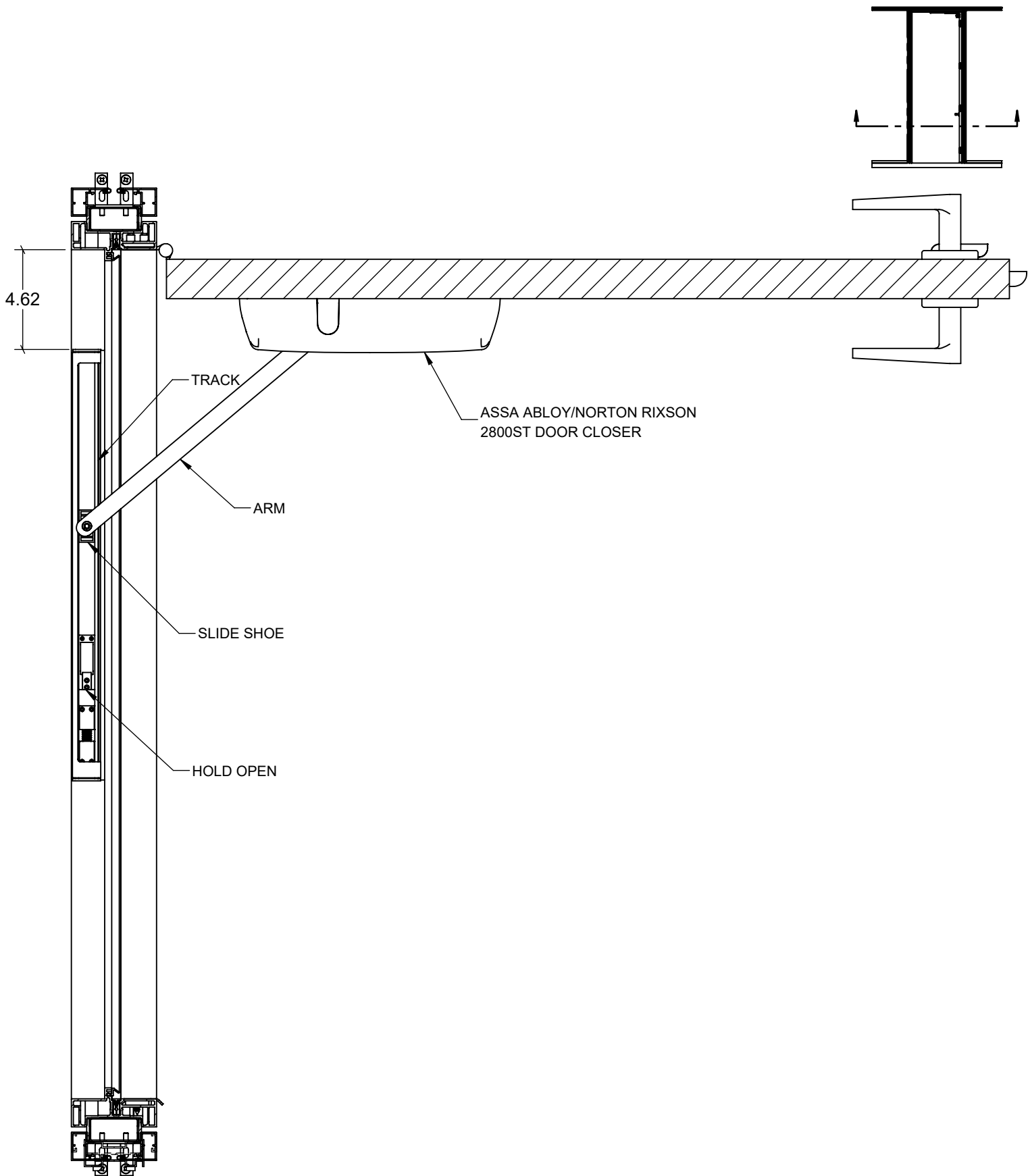
8/HA SOLID HINGED DOOR LEAF SINGLE  
C01 SOLID DOOR - SURFACE MOUNT CLOSER PUSH SIDE

OPTOS LP - SWING DOOR DETAIL

MODIFIED SEPTEMBER 29, 2024

UNIT INCH

SCALE 1:2



8/HB SOLID HINGED DOOR LEAF SINGLE

C01 SOLID DOOR - SURFACE MOUNT CLOSER PUSH SIDE

OPTOS LP - SWING DOOR DETAIL

MODIFIED SEPTEMBER 29, 2024

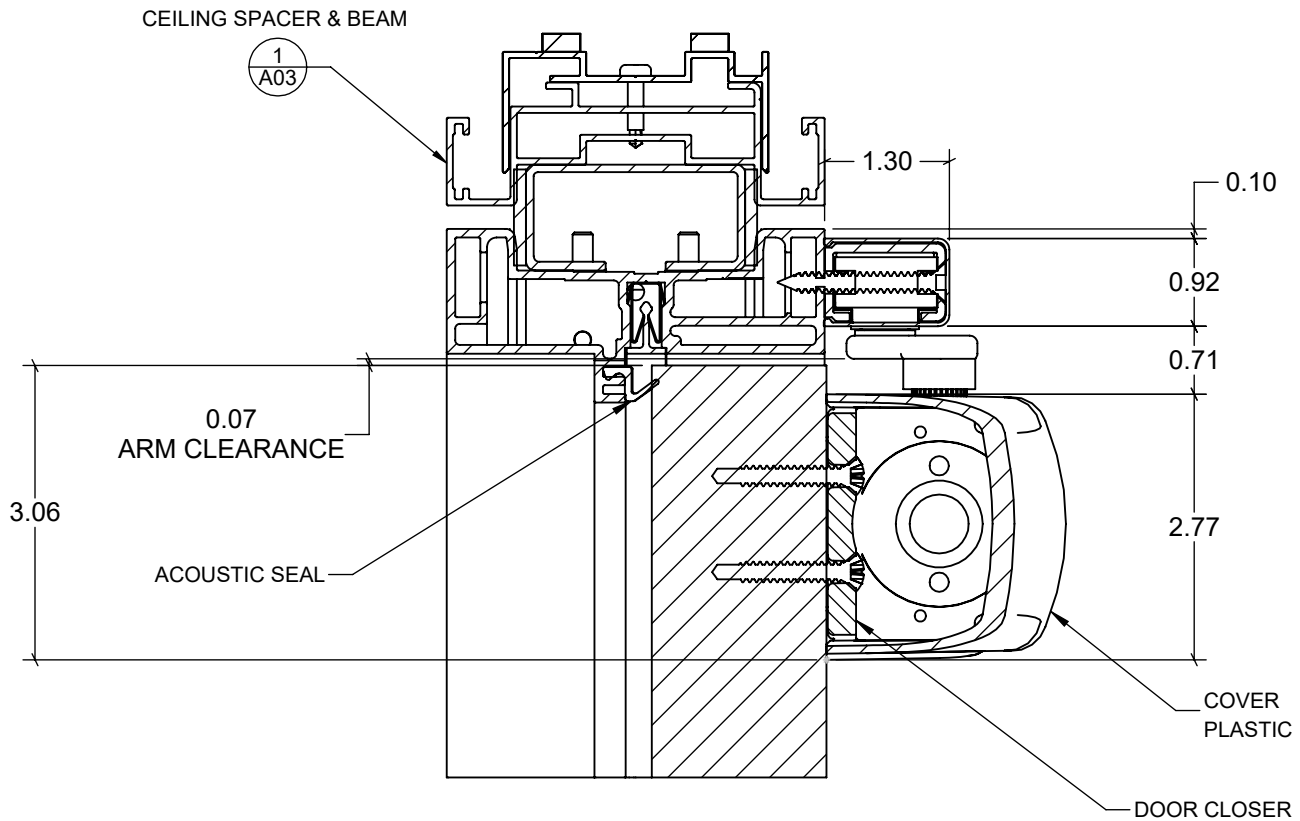
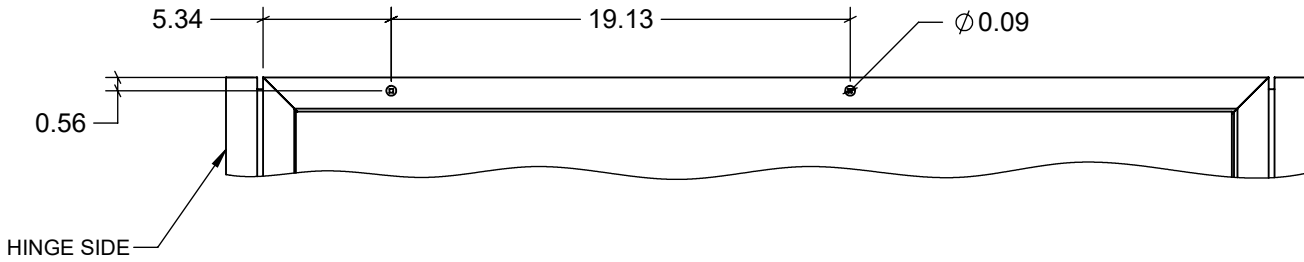
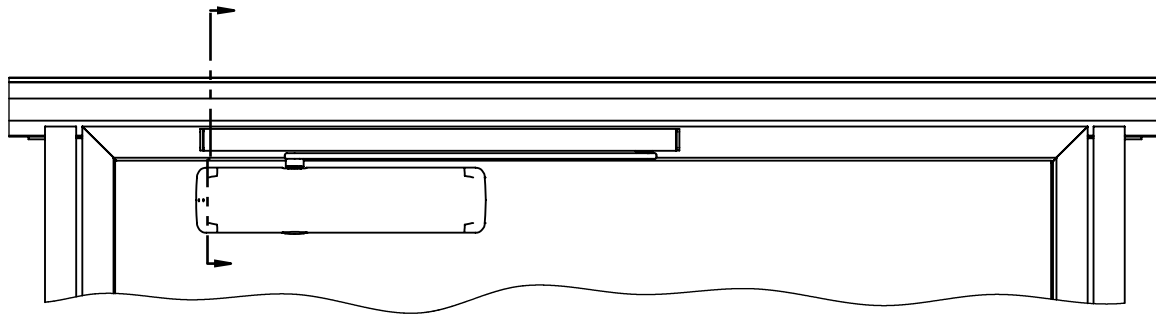
UNIT INCH

SCALE 1:6

THIS DRAWING IS THE PROPERTY OF TEKNION LIMITED AND IS SUBJECT TO RETURN UPON DEMAND. IT MUST NOT BE SUBMITTED TO ANY OUTSIDE PARTIES FOR EXAMINATION WITHOUT TEKNION CONSENT. THIS DRAWING MUST NOT BE SCALED OR USED FOR CONSTRUCTION PURPOSES

Publish Date: Feb 23 2026

teknion



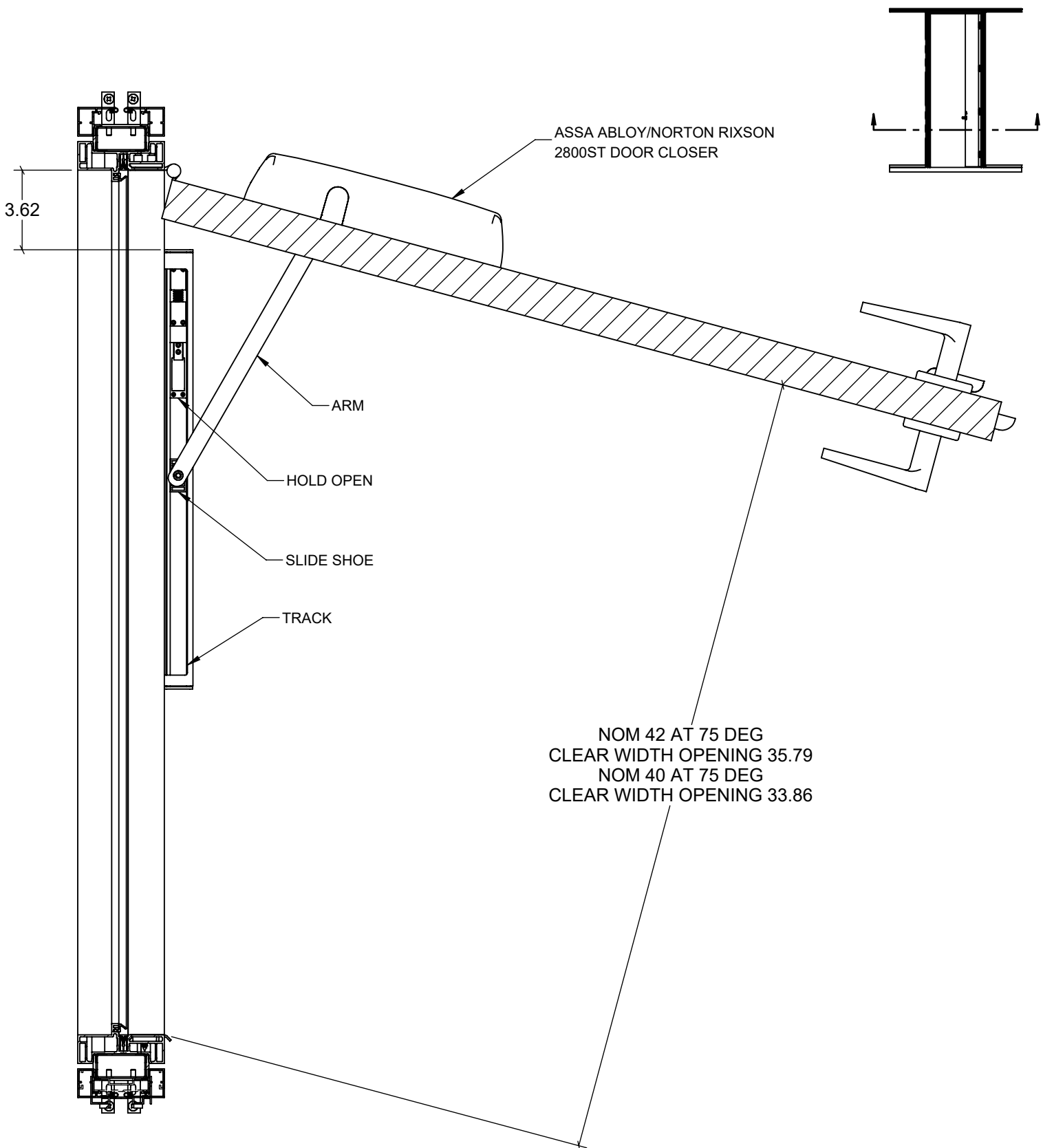
8/LA SOLID HINGED DOOR LEAF SINGLE  
C01 SOLID DOOR - SURFACE MOUNT CLOSER PULL SIDE

OPTOS LP - SWING DOOR DETAIL

MODIFIED SEPTEMBER 29, 2024

UNIT INCH

SCALE 1:2



8/LB SOLID HINGED DOOR LEAF SINGLE

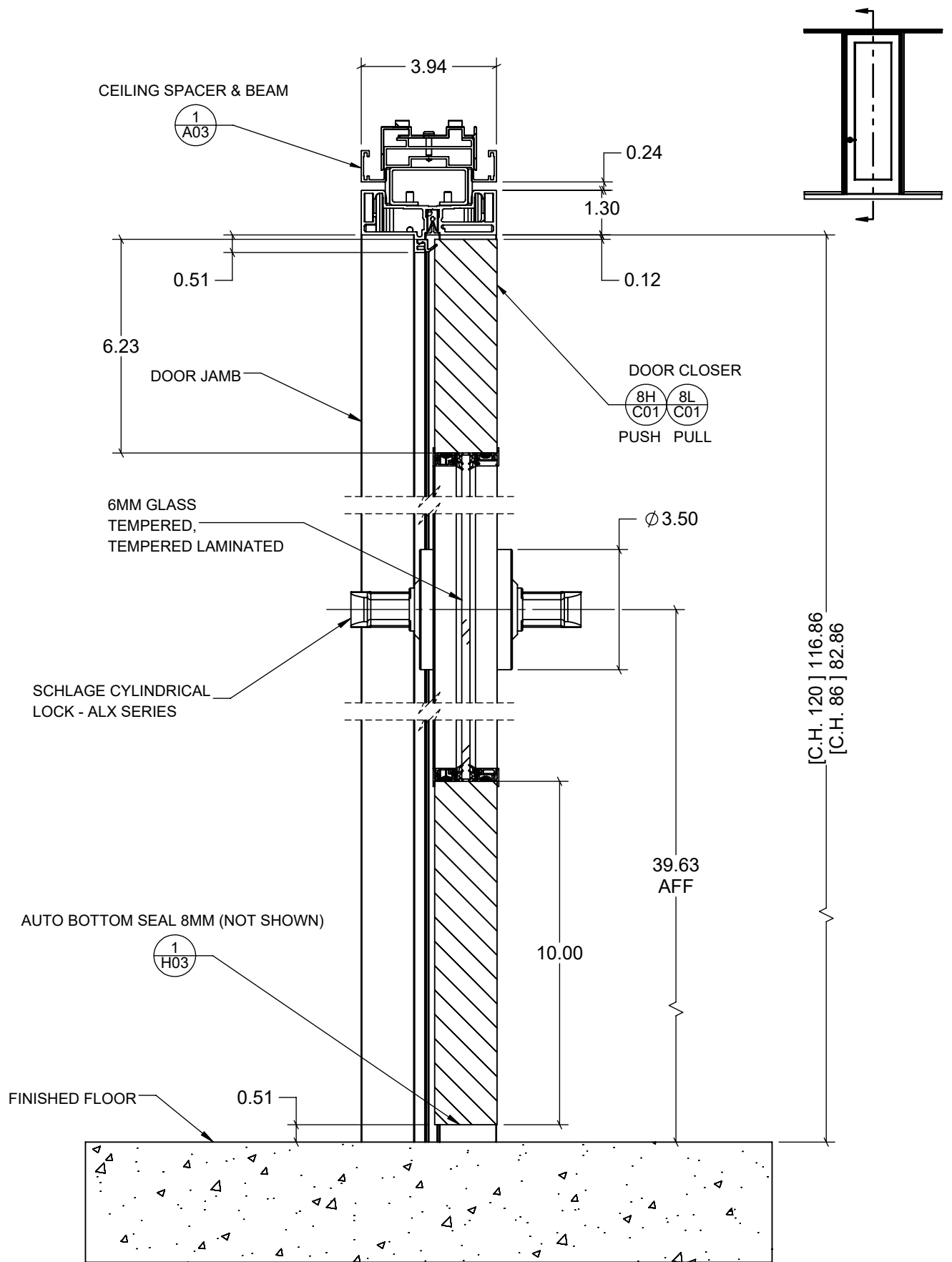
C01 SOLID DOOR - SURFACE MOUNT CLOSER PULL SIDE

OPTOS LP - SWING DOOR DETAIL

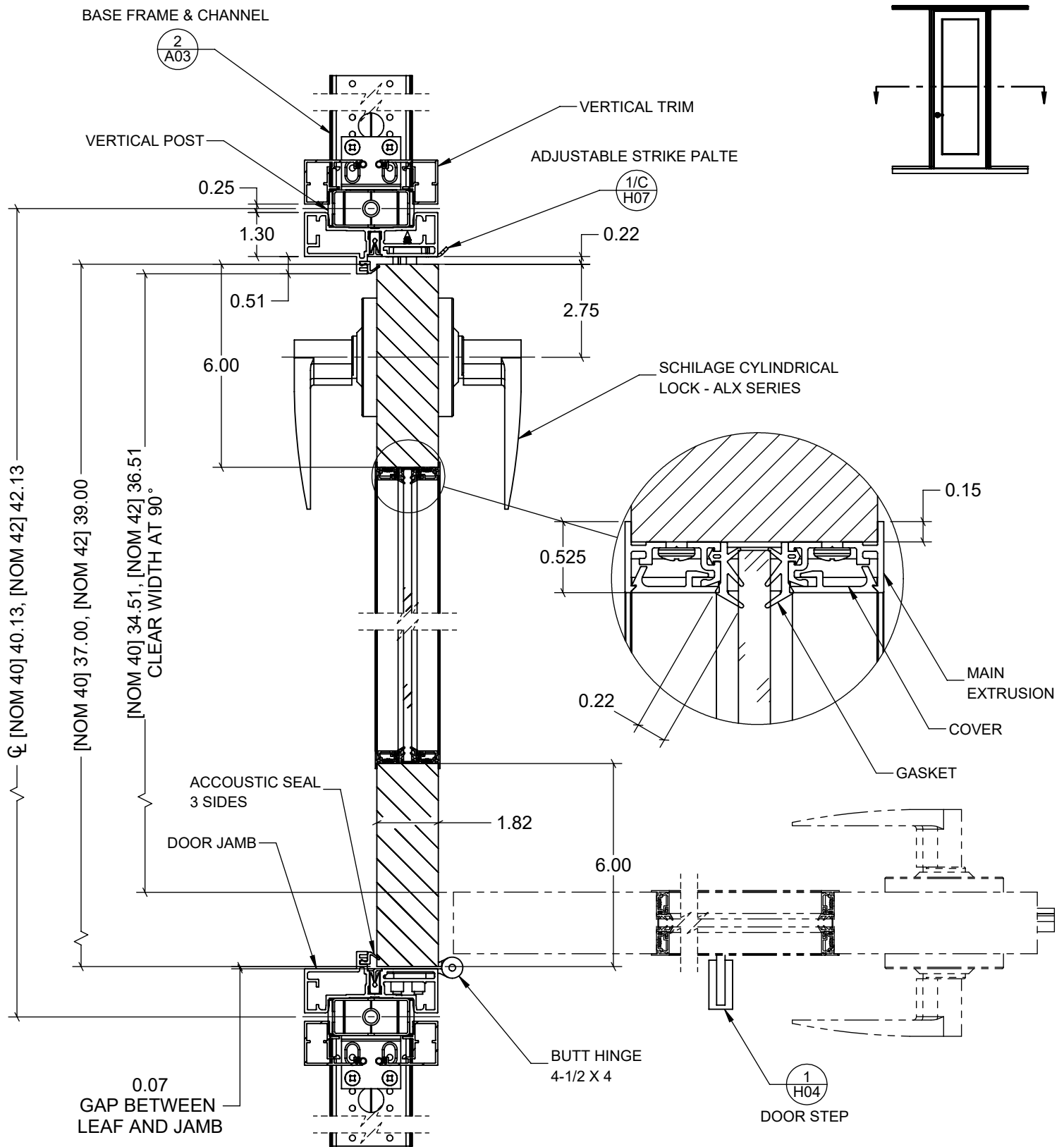
MODIFIED SEPTEMBER 29, 2024

UNIT INCH

SCALE 1:6



1/V SOLID HINGED DOOR LEAF WITH GLASS INSERT SINGLE  
 C02 WITH JAMB AND CYLINDRICAL LOCK ALX



1/H SOLID HINGED DOOR LEAF WITH GLASS INSERT SINGLE  
 C02 WITH JAMB AND CYLINDRICAL LOCK ALX

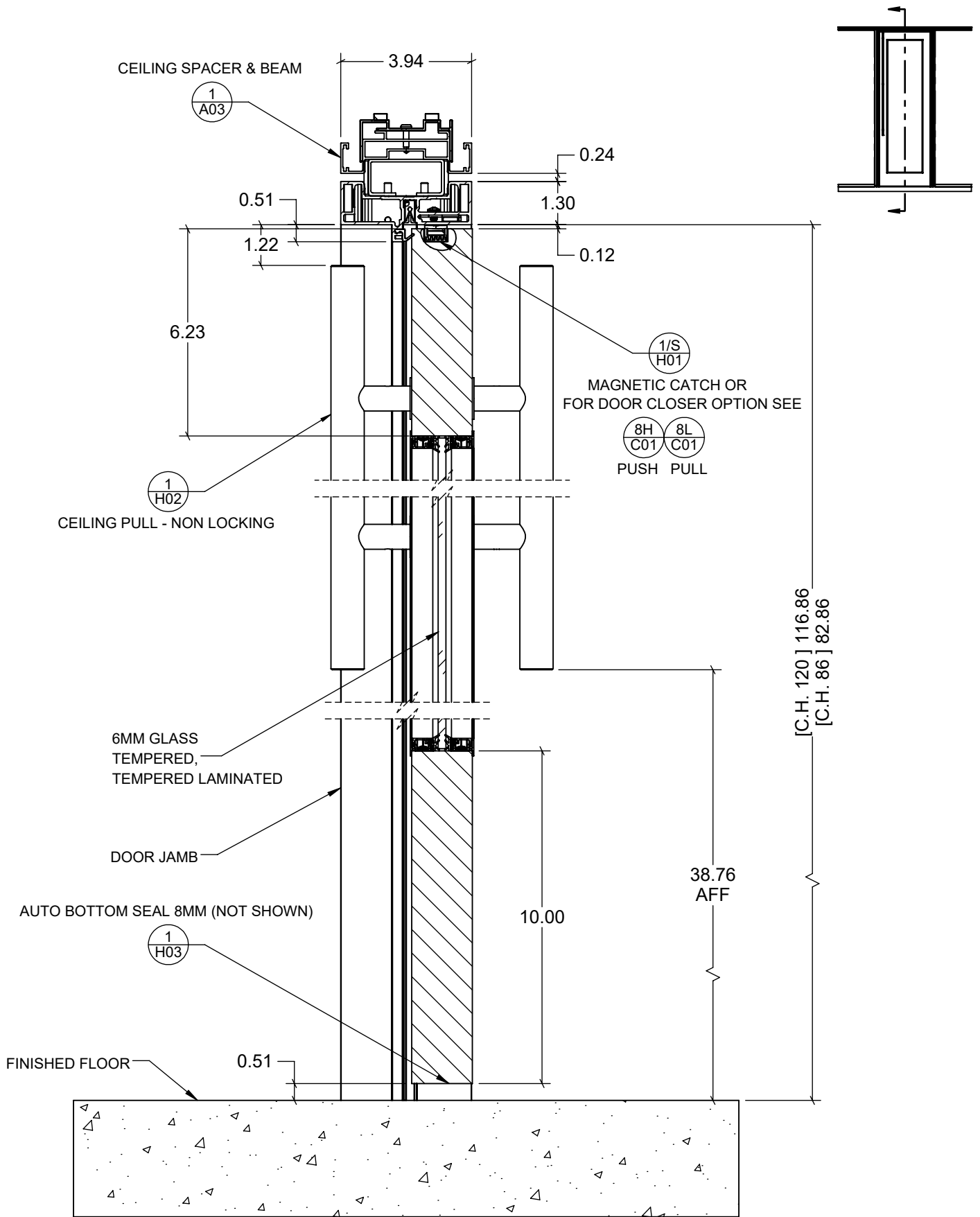
OPTOS LP - SWING DOOR DETAILS

MODIFIED	SEPTEMBER 29, 2024	UNIT	INCH	SCALE	1:4
----------	--------------------	------	------	-------	-----

THIS DRAWING IS THE PROPERTY OF TEKNION LIMITED AND IS SUBJECT TO RETURN UPON DEMAND. IT MUST NOT BE SUBMITTED TO ANY OUTSIDE PARTIES FOR EXAMINATION WITHOUT TEKNION CONSENT. THIS DRAWING MUST NOT BE SCALED OR USED FOR CONSTRUCTION PURPOSES

Publish Date: Feb 23 2026





2/V SOLID HINGED DOOR LEAF WITH GLASS INSERT SINGLE  
C02 WITH JAMB AND CEILING PULL - NON LOCKING

**OPTOS LP - SWING DOOR DETAILS**

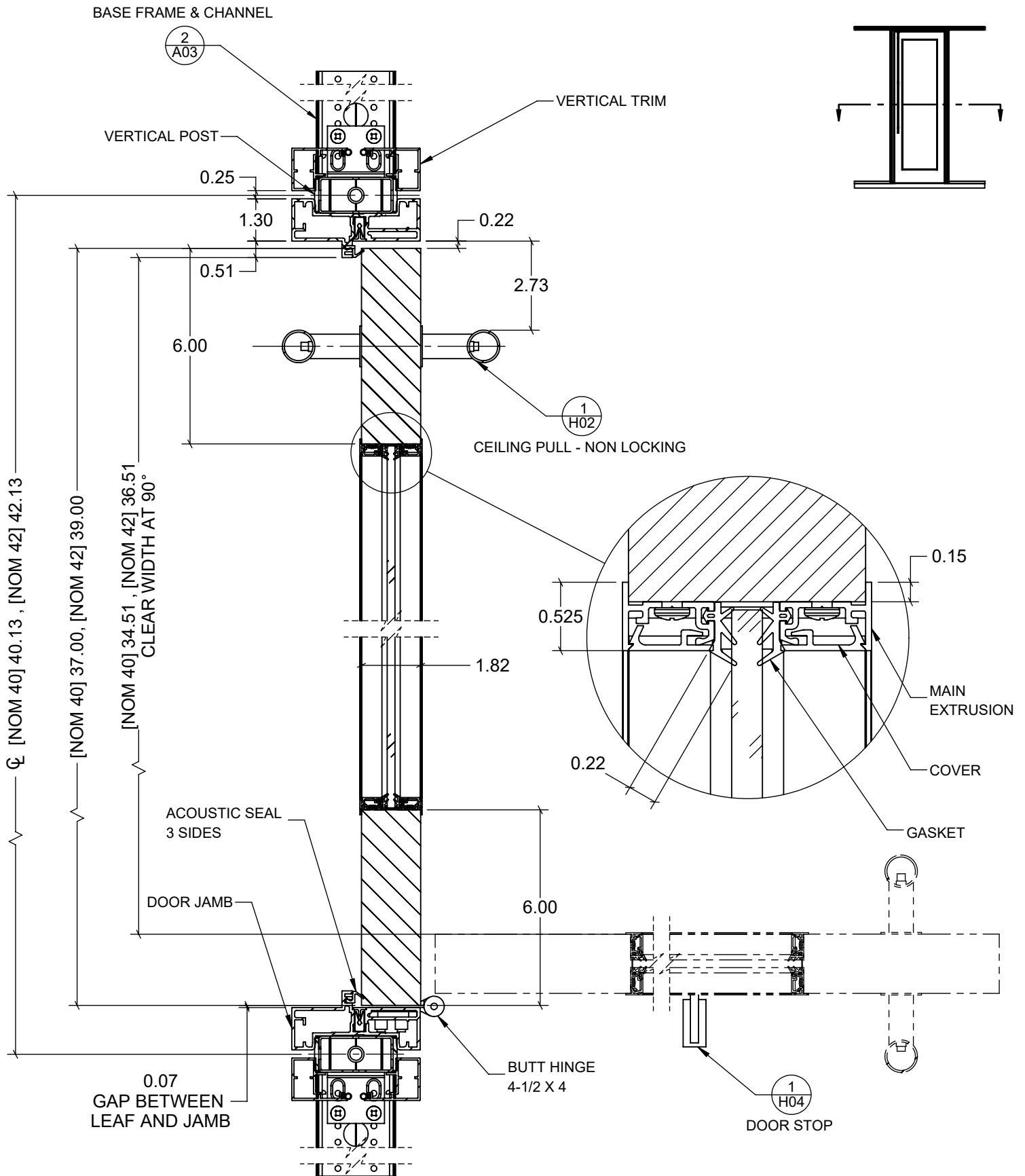
MODIFIED SEPTEMBER 29, 2024

UNIT INCH SCALE 1:4

THIS DRAWING IS THE PROPERTY OF TEKNION LIMITED AND IS SUBJECT TO RETURN UPON DEMAND. IT MUST NOT BE SUBMITTED TO ANY OUTSIDE PARTIES FOR EXAMINATION WITHOUT TEKNION CONSENT. THIS DRAWING MUST NOT BE SCALED OR USED FOR CONSTRUCTION PURPOSES

Publish Date: Feb 23 2026

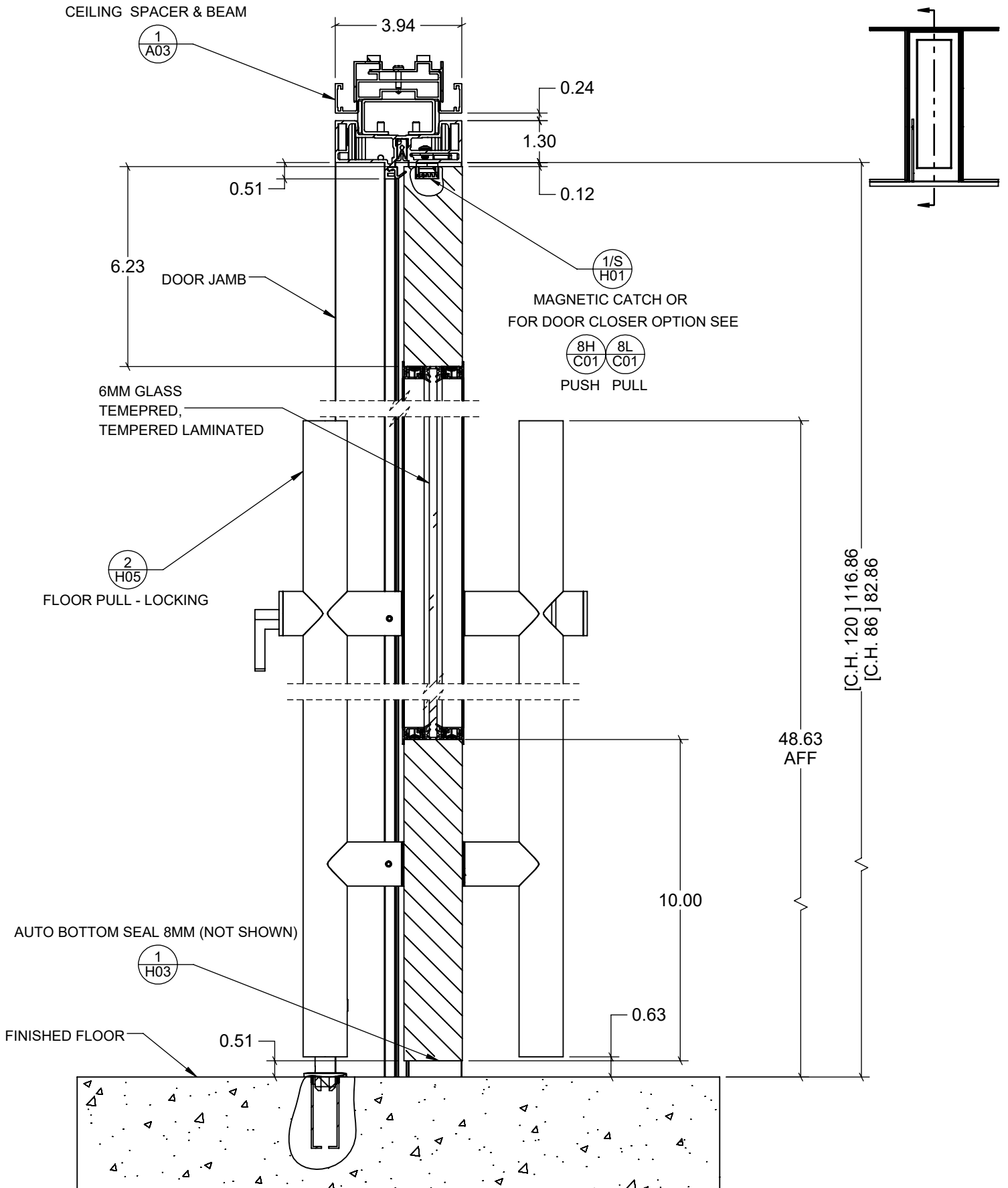




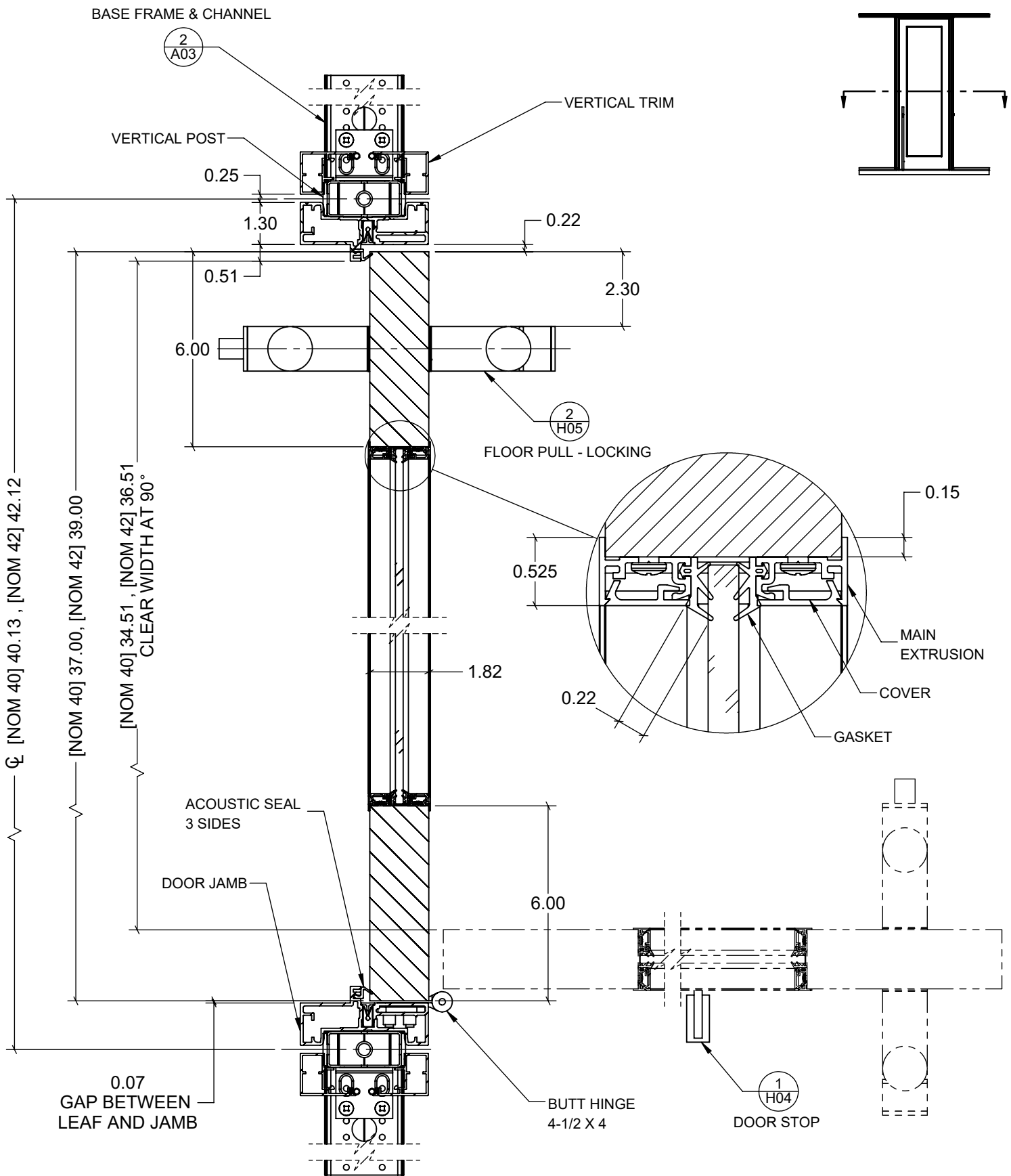
2/H SOLID HINGED DOOR LEAF WITH GLASS INSERT SINGLE  
 C02 WITH JAMB AND CEILING PULL - NON LOCKING

OPTOS LP - SWING DOOR DETAILS

MODIFIED SEPTEMBER 29, 2024 UNIT INCH SCALE 1:4



3/V SOLID HINGED DOOR LEAF WITH GLASS INSERT SINGLE  
 C02 WITH JAMB AND FLOOR PULL - LOCKING



3/H SOLID HINGED DOOR LEAF WITH GLASS INSERT SINGLE  
 C02 WITH JAMB AND FLOOR PULL - LOCKING

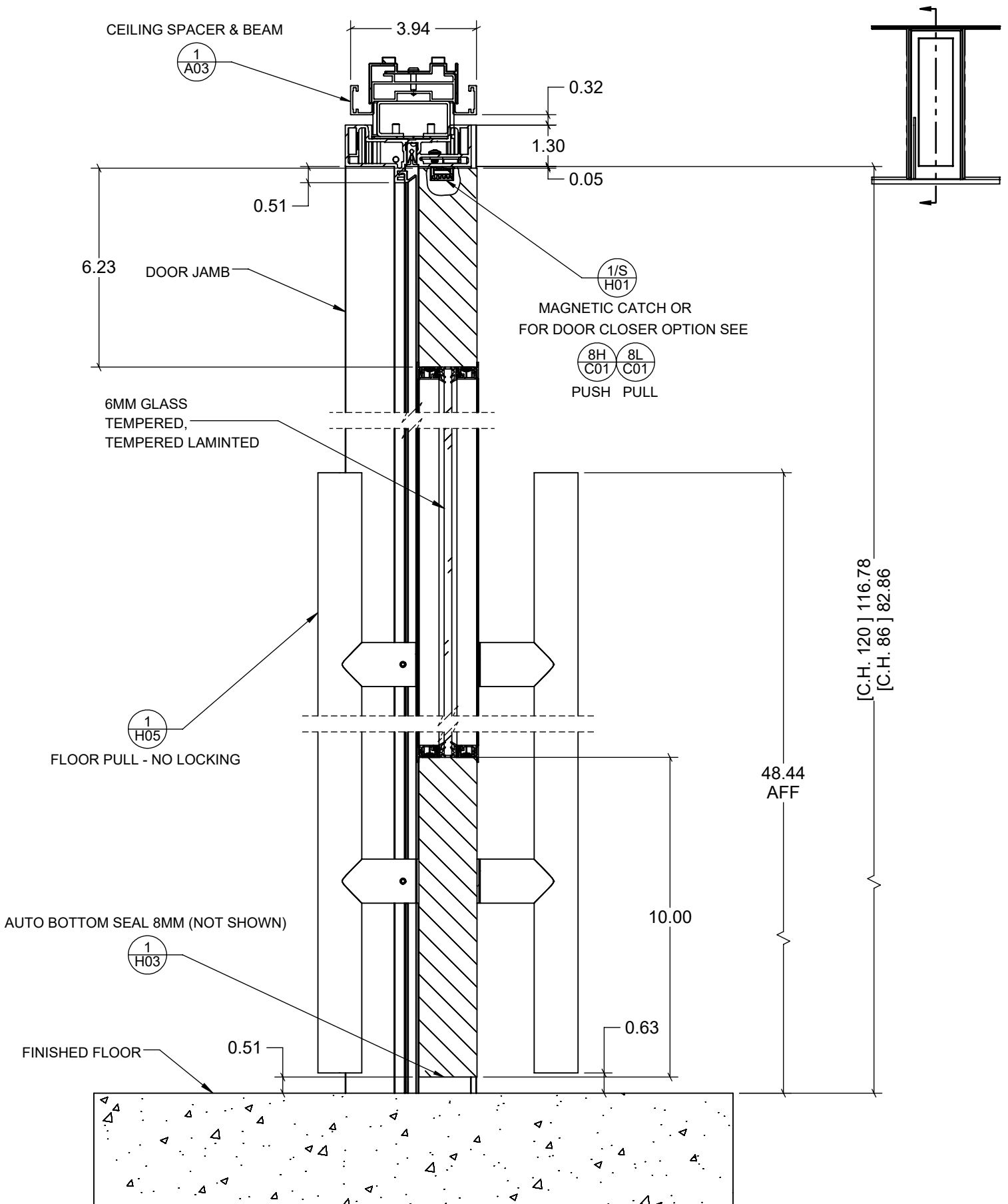
OPTOS LP - SWING DOOR DETAILS

MODIFIED SEPTEMBER 29, 2024 UNIT INCH SCALE 1:4

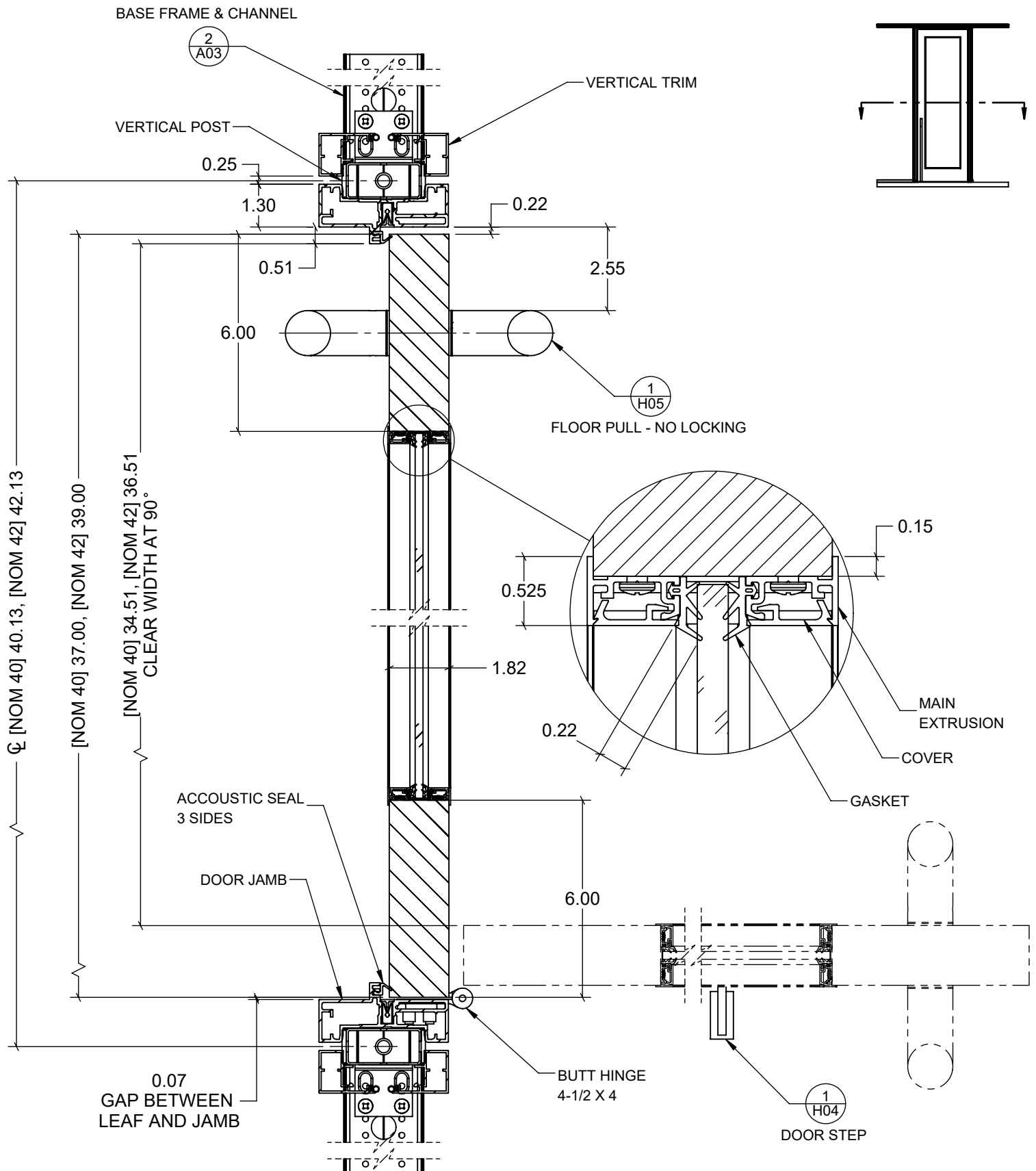
THIS DRAWING IS THE PROPERTY OF TEKNION LIMITED AND IS SUBJECT TO RETURN UPON DEMAND. IT MUST NOT BE SUBMITTED TO ANY OUTSIDE PARTIES FOR EXAMINATION WITHOUT TEKNION CONSENT. THIS DRAWING MUST NOT BE SCALED OR USED FOR CONSTRUCTION PURPOSES

Publish Date: Feb 23 2026

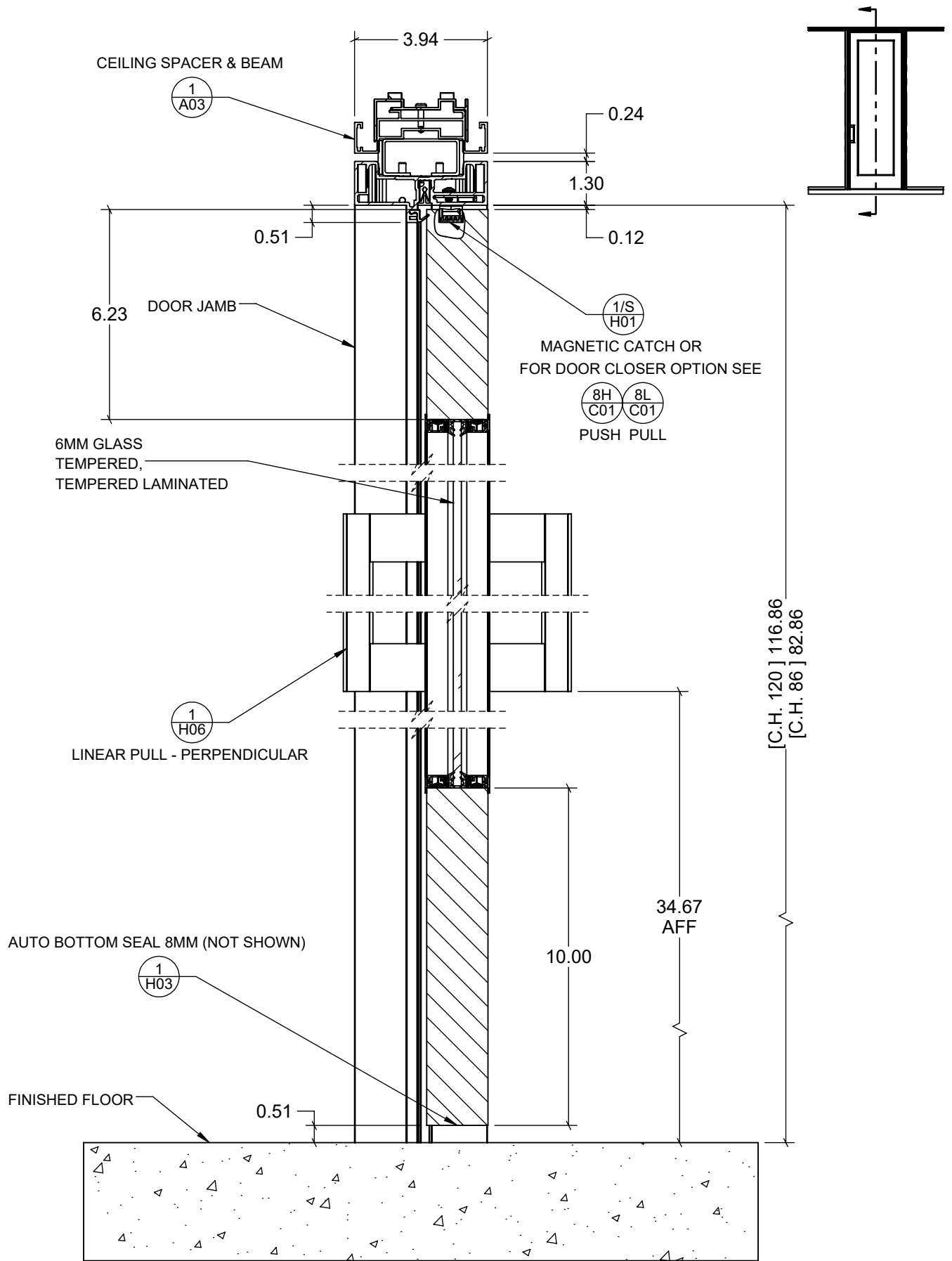




4/V SOLID HINGED DOOR LEAF WITH GLASS INSERT SINGLE  
 C02 WITH JAMB AND FLOOR PULL NON - LOCKING



4/H SOLID HINGED DOOR LEAF WITH GLASS INSERT SINGLE  
C02 WITH JAMB AND FLOOR PULL NON - LOCKING



5/V SOLID HINGED DOOR LEAF WITH GLASS INSERT SINGLE  
 C02 WITH JAMB AND LINEAR PULL - PERPENDICULAR

OPTOS LP - SWING DOOR DETAILS

MODIFIED SEPTEMBER 29, 2024

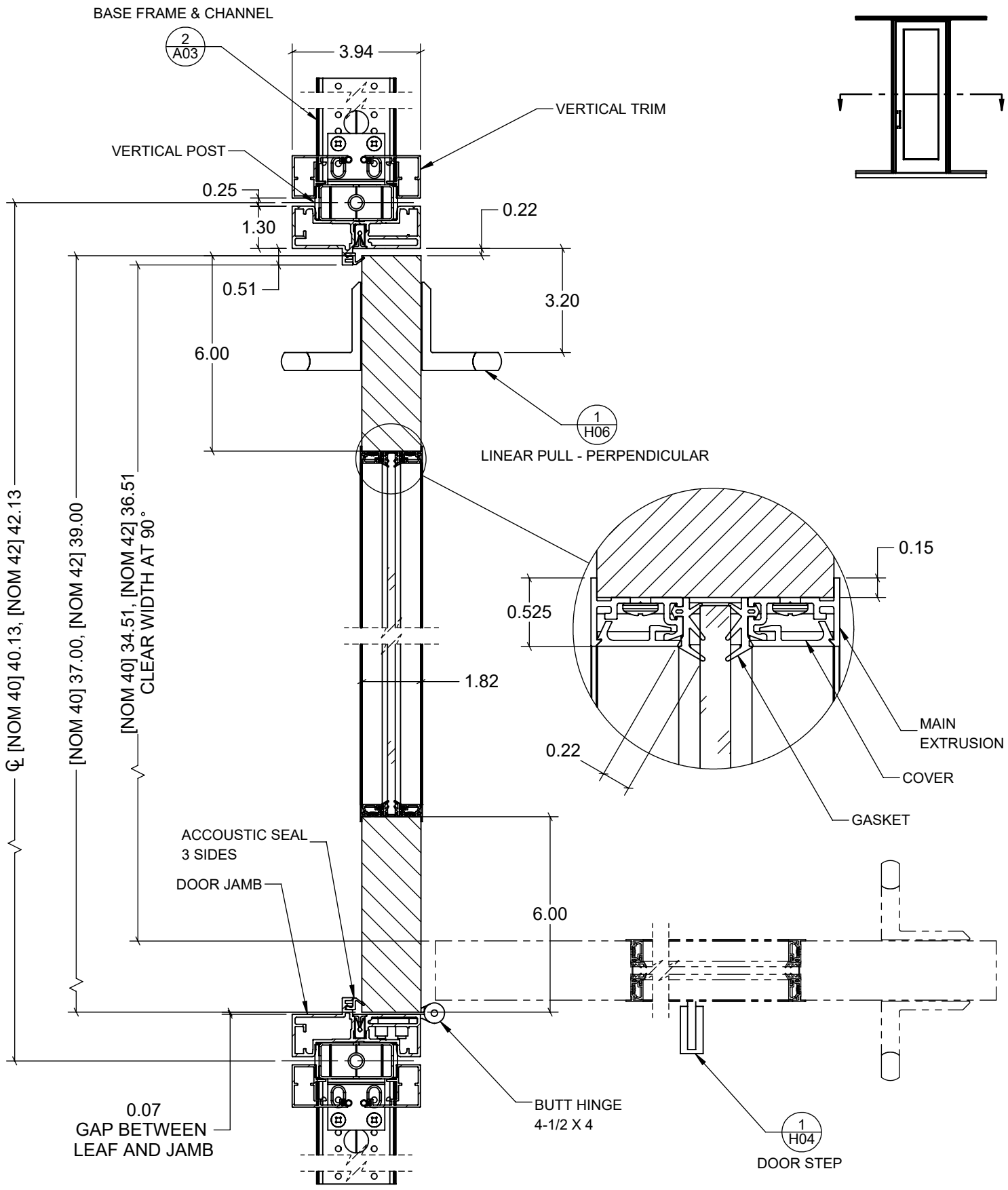
UNIT INCH

SCALE 1:4

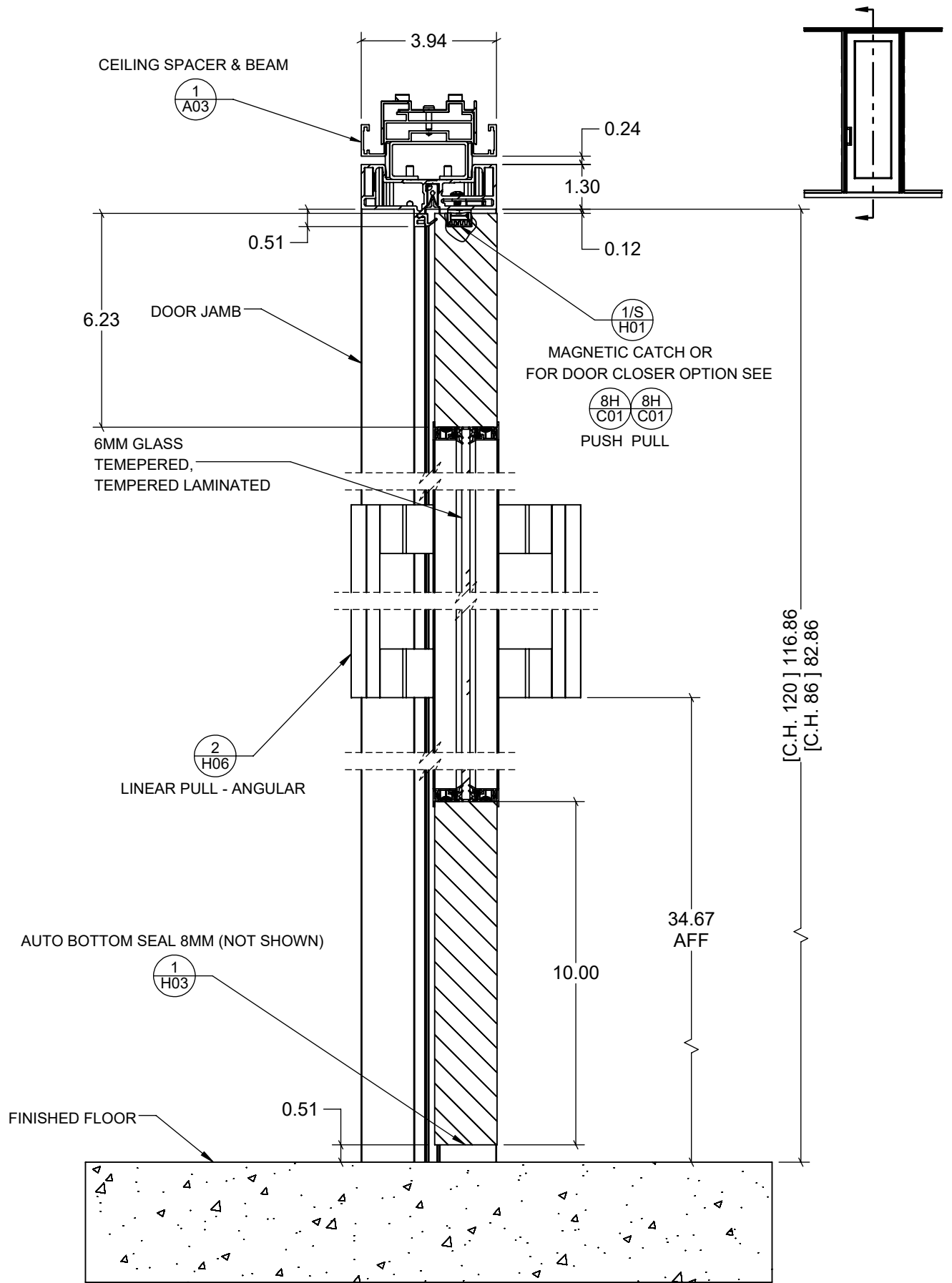
THIS DRAWING IS THE PROPERTY OF TEKNION LIMITED AND IS SUBJECT TO RETURN UPON DEMAND. IT MUST NOT BE SUBMITTED TO ANY OUTSIDE PARTIES FOR EXAMINATION WITHOUT TEKNION CONSENT. THIS DRAWING MUST NOT BE SCALED OR USED FOR CONSTRUCTION PURPOSES

Publish Date: Feb 23 2026

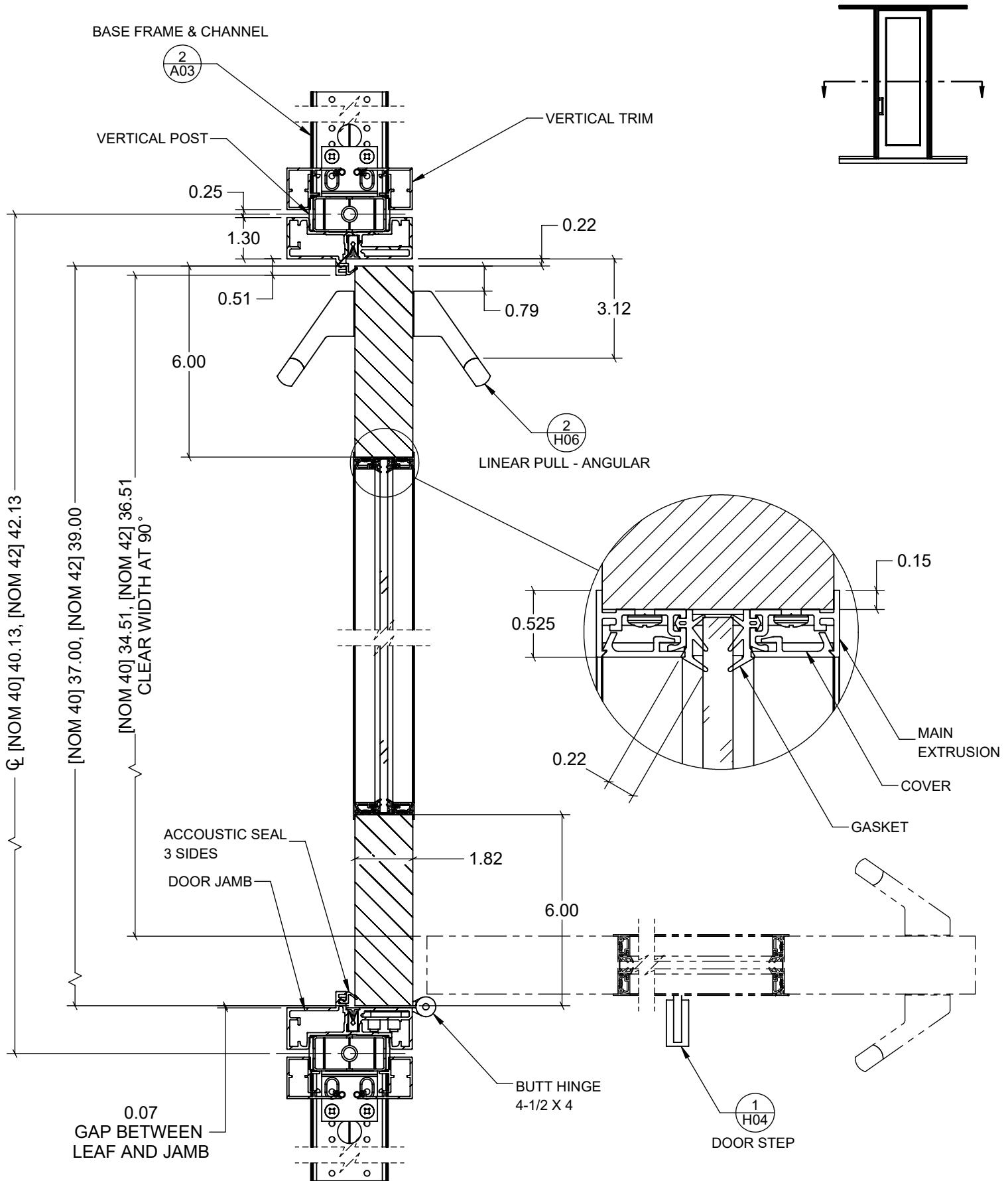




5/H SOLID HINGED DOOR LEAF WITH GLASS INSERT SINGLE  
 C02 WITH JAMB AND LINEAR PULL - PERPENDICULAR



6/V SOLID HINGED DOOR LEAF WITH GLASS INSERT SINGLE  
 C02 WITH JAMB AND LINEAR PULL - ANGULAR



6/H SOLID HINGED DOOR LEAF WITH GLASS INSERT SINGLE  
 C02 WITH JAMB AND LINEAR PULL - ANGULAR

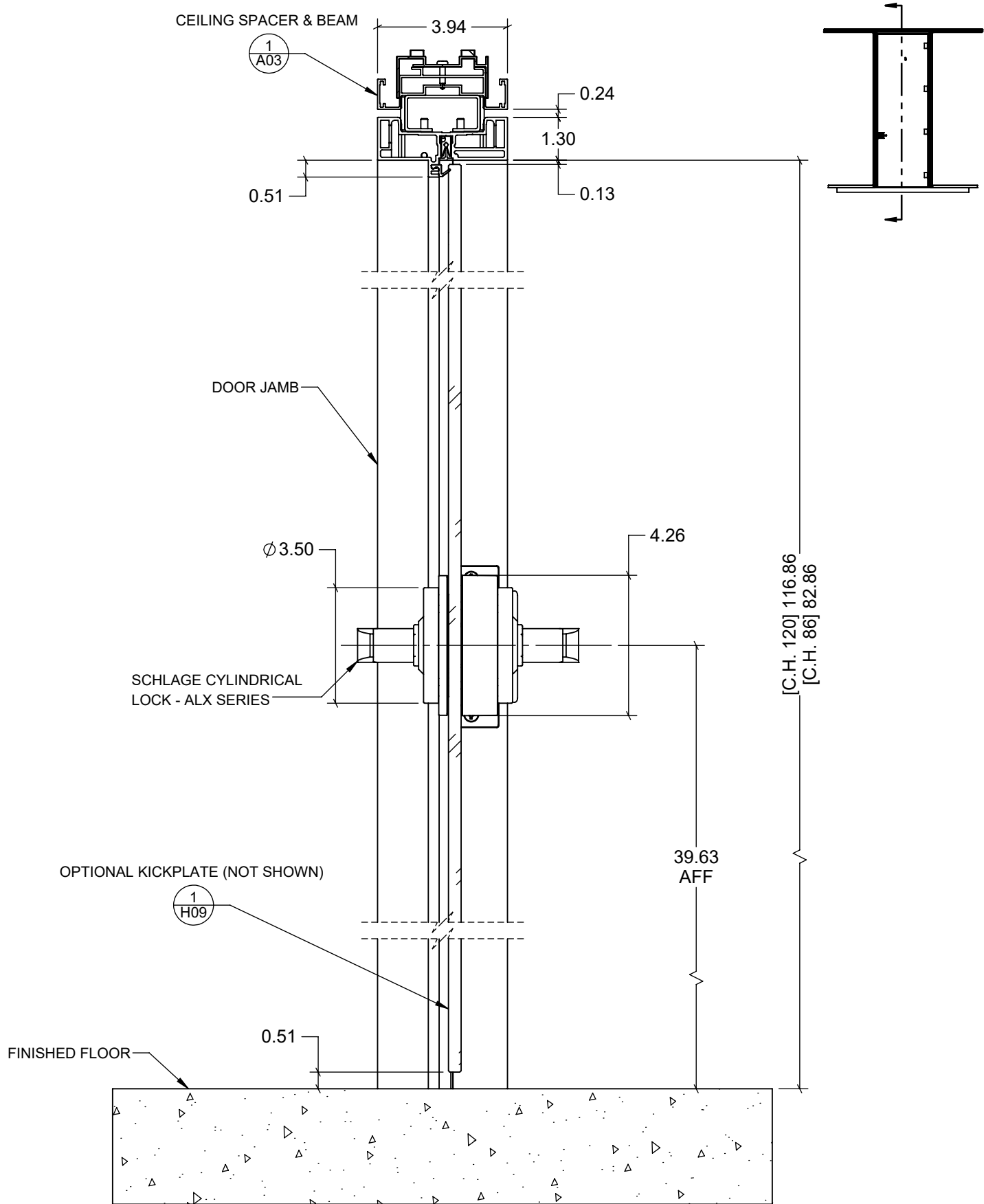
OPTOS LP - SWING DOOR DETAILS

MODIFIED SEPTEMBER 29, 2024 UNIT INCH SCALE 1:4

THIS DRAWING IS THE PROPERTY OF TEKNION LIMITED AND IS SUBJECT TO RETURN UPON DEMAND. IT MUST NOT BE SUBMITTED TO ANY OUTSIDE PARTIES FOR EXAMINATION WITHOUT TEKNION CONSENT. THIS DRAWING MUST NOT BE SCALED OR USED FOR CONSTRUCTION PURPOSES

Publish Date: Feb 23 2026





1/V GLASS HINGED DOOR LEAF SINGLE  
 C03 WITH JAMB AND CYLINDRICAL LOCK ALX

OPTOS LP - SWING DOOR DETAILS

MODIFIED SEPTEMBER 29, 2024

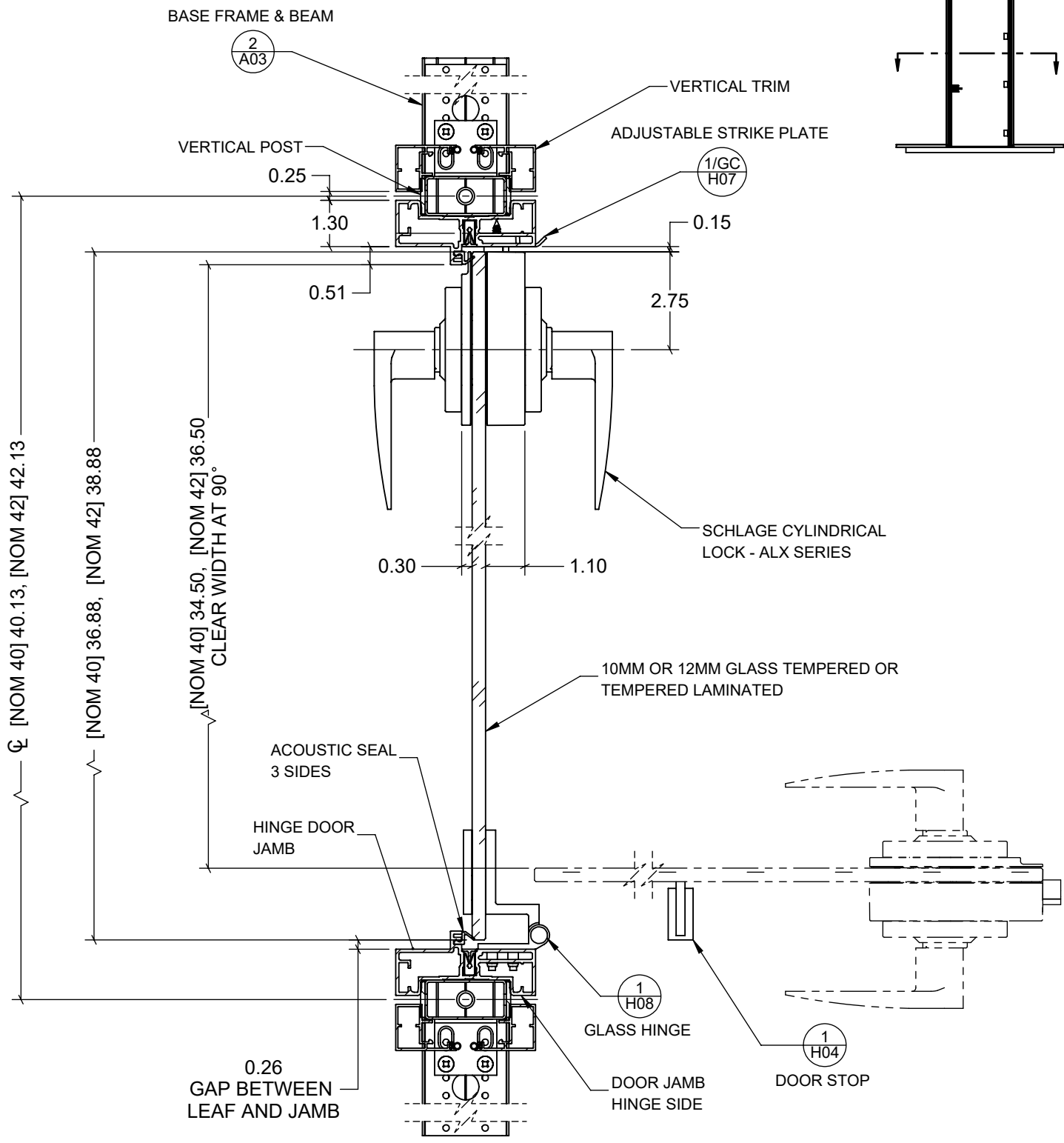
UNIT INCH

SCALE 1:4

THIS DRAWING IS THE PROPERTY OF TEKNION LIMITED AND IS SUBJECT TO RETURN UPON DEMAND. IT MUST NOT BE SUBMITTED TO ANY OUTSIDE PARTIES FOR EXAMINATION WITHOUT TEKNION CONSENT. THIS DRAWING MUST NOT BE SCALED OR USED FOR CONSTRUCTION PURPOSES

Publish Date: Feb 23 2026

teknion



BASE FRAME & BEAM

2  
A03

VERTICAL TRIM

ADJUSTABLE STRIKE PLATE

1/GC  
H07

VERTICAL POST

0.25

1.30

0.15

0.51

2.75

SCHLAGE CYLINDRICAL  
LOCK - ALX SERIES

0.30

10MM OR 12MM GLASS TEMPERED OR  
TEMPERED LAMINATED

ACOUSTIC SEAL  
3 SIDES

HINGE DOOR  
JAMB

1  
H08

GLASS HINGE

1  
H04

DOOR STOP

0.26  
GAP BETWEEN  
LEAF AND JAMB

DOOR JAMB  
HINGE SIDE

[NOM 40] 40.13, [NOM 42] 42.13  
[NOM 40] 36.88, [NOM 42] 38.88  
[NOM 40] 34.50, [NOM 42] 36.50  
CLEAR WIDTH AT 90°

1/H GLASS HINGED DOOR LEAF SINGLE  
C03 WITH JAMB AND CYLINDRICAL LOCK ALX

OPTOS LP - SWING DOOR DETAILS

MODIFIED SEPTEMBER 29, 2024

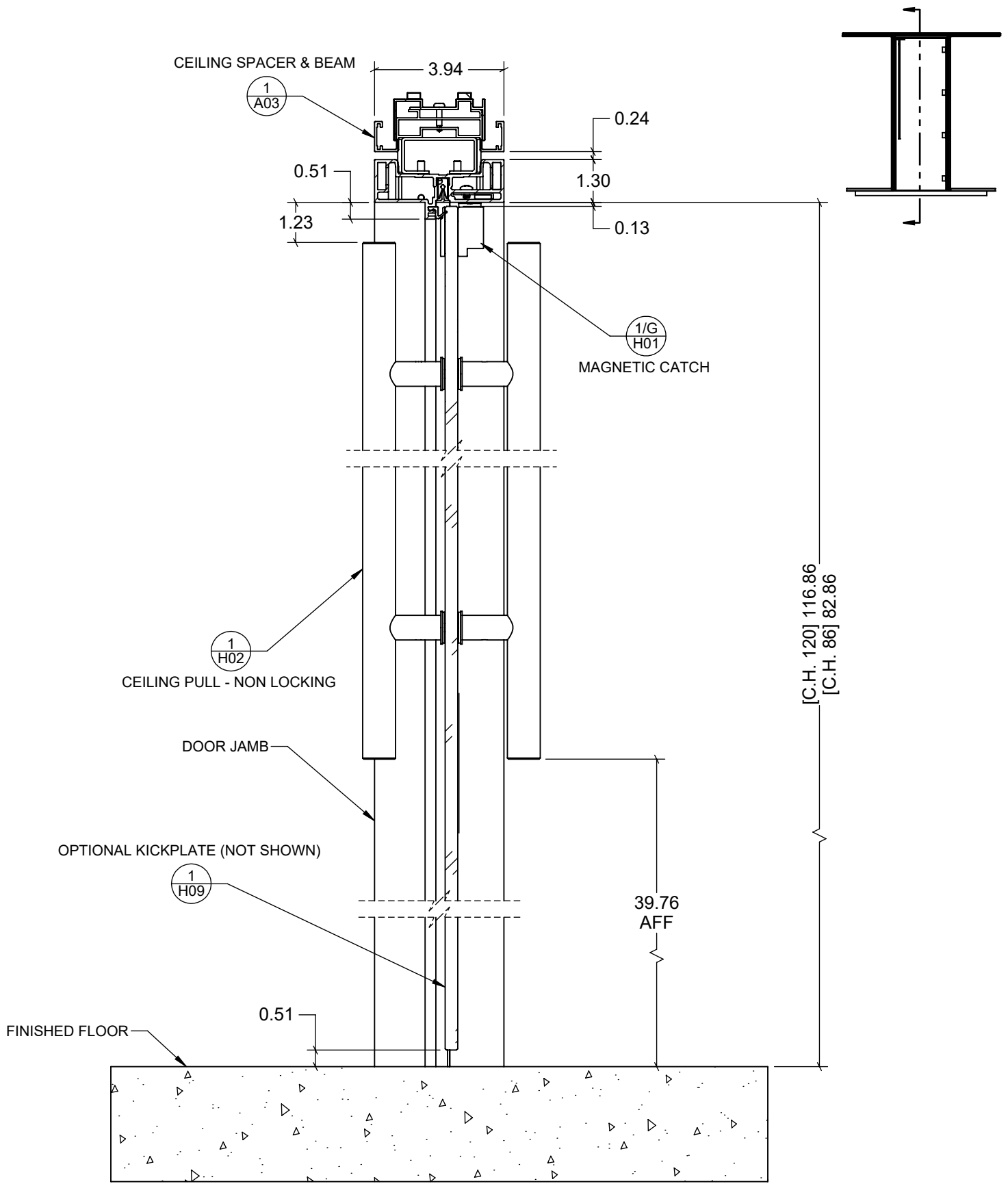
UNIT INCH

SCALE 1:4

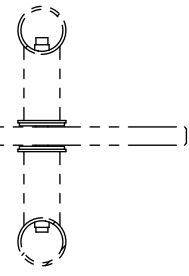
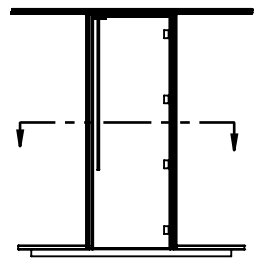
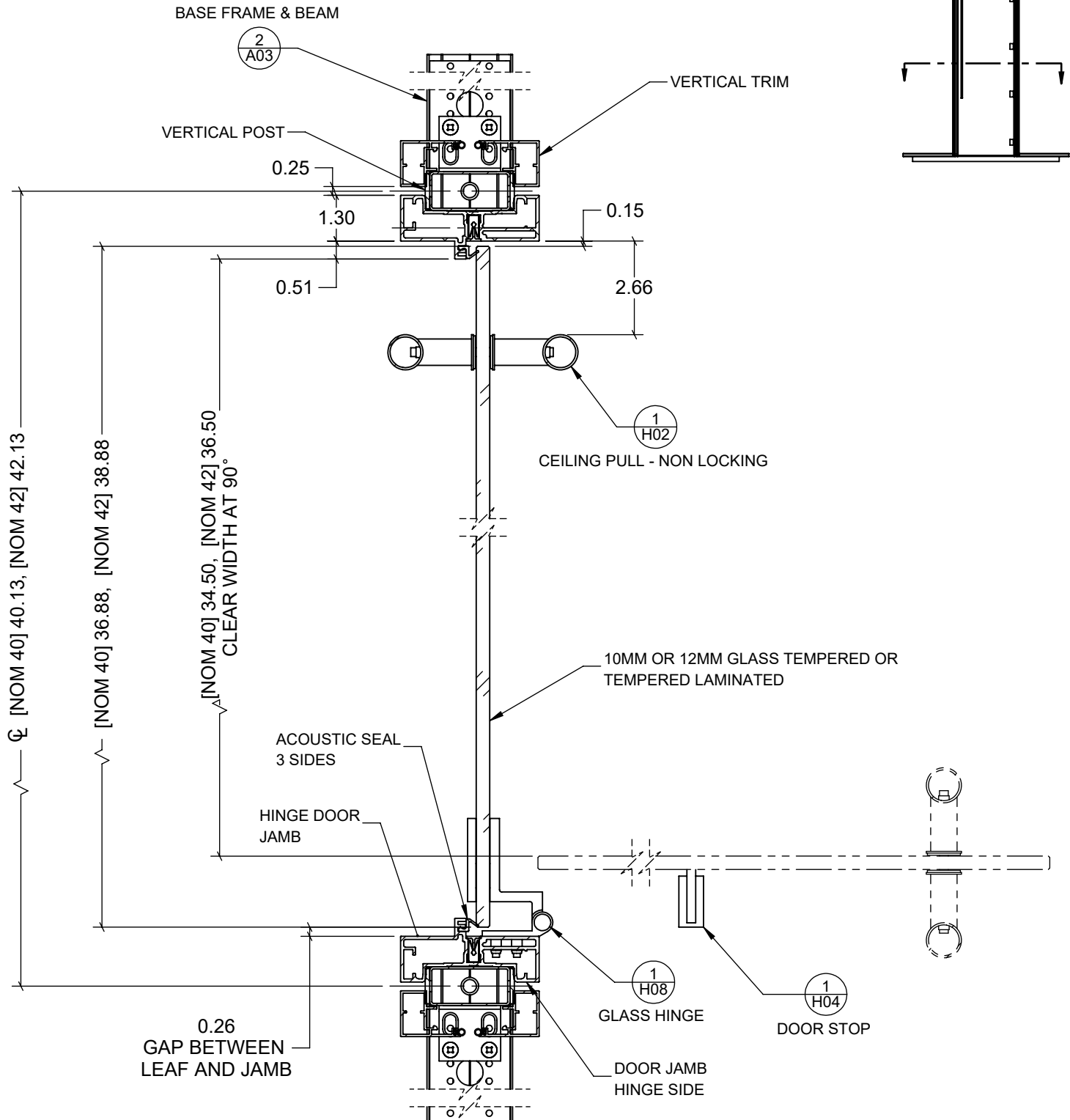
THIS DRAWING IS THE PROPERTY OF TEKNION LIMITED AND IS SUBJECT TO RETURN UPON DEMAND. IT MUST NOT BE SUBMITTED TO ANY OUTSIDE PARTIES FOR EXAMINATION WITHOUT TEKNION CONSENT. THIS DRAWING MUST NOT BE SCALED OR USED FOR CONSTRUCTION PURPOSES

Publish Date: Feb 23 2026

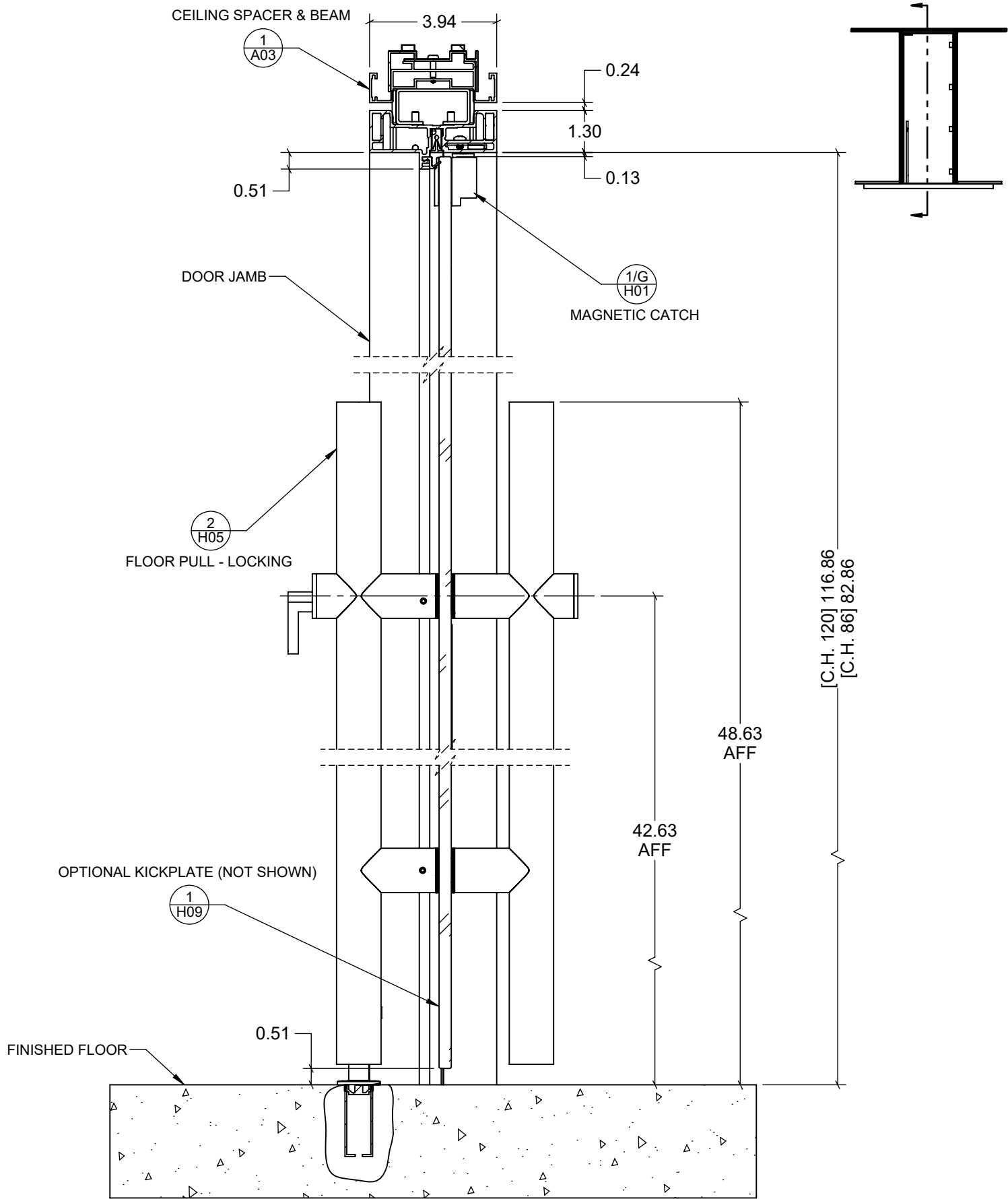




2/V GLASS HINGED DOOR LEAF SINGLE  
 C03 WITH JAMB AND CEILING PULL - NON LOCKING



2/H GLASS HINGED DOOR LEAF SINGLE  
 C03 WITH JAMB AND CEILING PULL - NON LOCKING



3/V GLASS HINGED DOOR LEAF SINGLE  
 C03 WITH JAMB AND FLOOR PULL - LOCKING

OPTOS LP - SWING DOOR DETAILS

MODIFIED SEPTEMBER 29, 2024

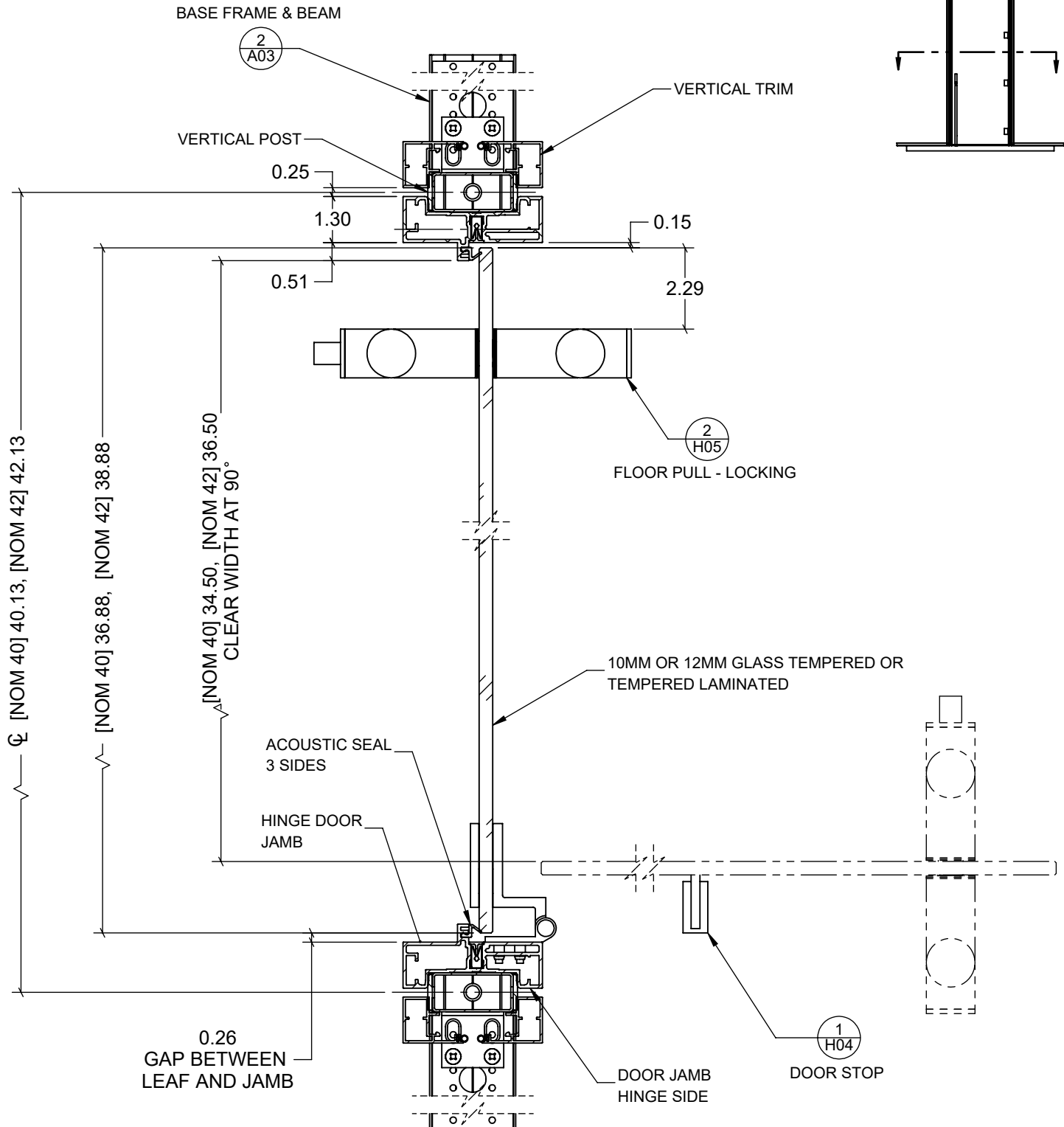
UNIT INCH

SCALE 1:4

THIS DRAWING IS THE PROPERTY OF TEKNION LIMITED AND IS SUBJECT TO RETURN UPON DEMAND. IT MUST NOT BE SUBMITTED TO ANY OUTSIDE PARTIES FOR EXAMINATION WITHOUT TEKNION CONSENT. THIS DRAWING MUST NOT BE SCALED OR USED FOR CONSTRUCTION PURPOSES

Publish Date: Feb 23 2026

teknion



3/H GLASS HINGED DOOR LEAF SINGLE  
C03 WITH JAMB AND FLOOR PULL - LOCKING

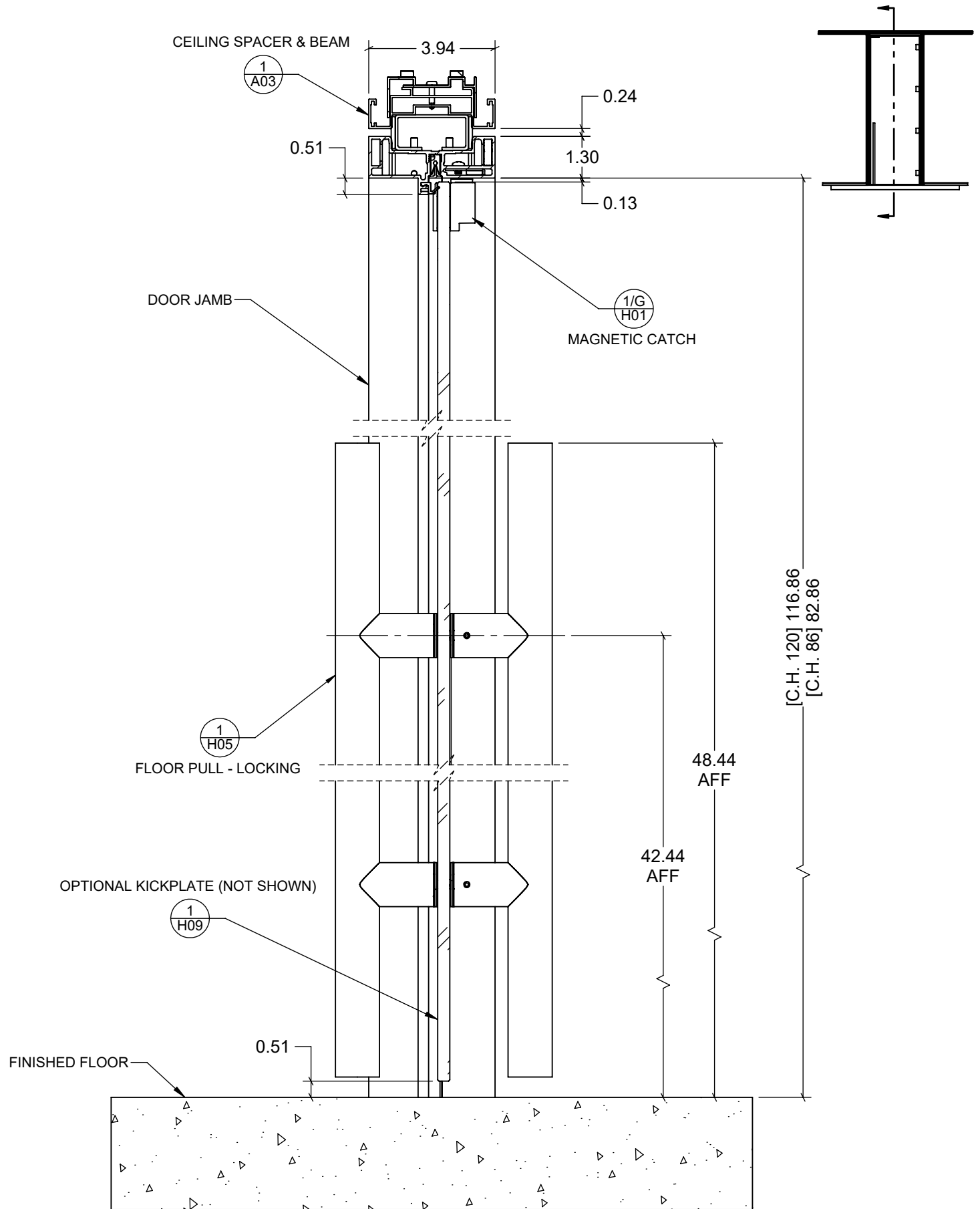
**OPTOS LP - SWING DOOR DETAILS**

MODIFIED	SEPTEMBER 29, 2024	UNIT	INCH	SCALE	1:4
----------	--------------------	------	------	-------	-----

THIS DRAWING IS THE PROPERTY OF TEKNION LIMITED AND IS SUBJECT TO RETURN UPON DEMAND. IT MUST NOT BE SUBMITTED TO ANY OUTSIDE PARTIES FOR EXAMINATION WITHOUT TEKNION CONSENT. THIS DRAWING MUST NOT BE SCALED OR USED FOR CONSTRUCTION PURPOSES

Publish Date: Feb 23 2026





4/V GLASS HINGED DOOR LEAF SINGLE  
 C03 WITH JAMB AND FLOOR PULL - NON LOCKING

OPTOS LP - SWING DOOR DETAILS

MODIFIED SEPTEMBER 29, 2024

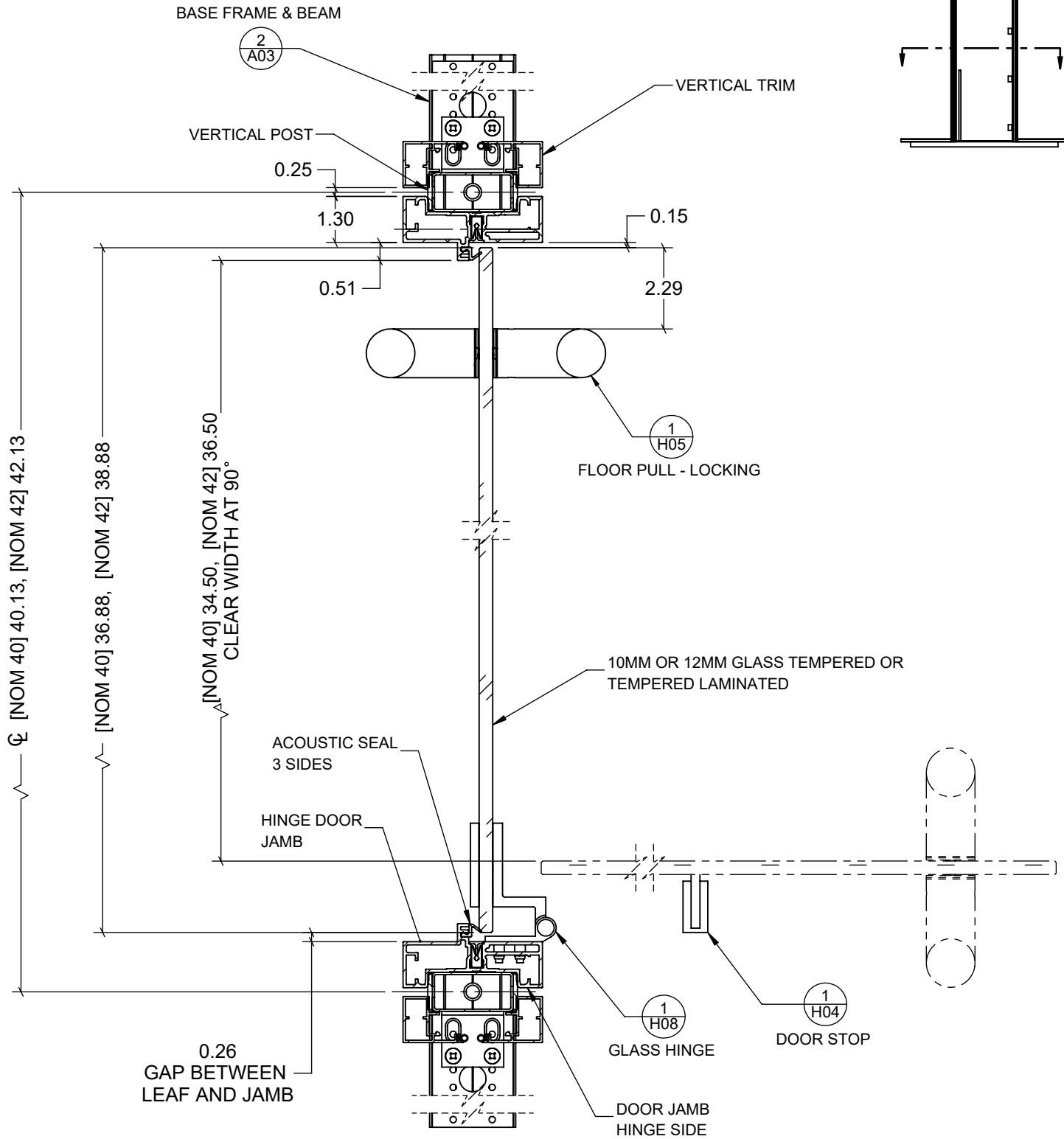
UNIT INCH

SCALE 1:4

THIS DRAWING IS THE PROPERTY OF TEKNION LIMITED AND IS SUBJECT TO RETURN UPON DEMAND. IT MUST NOT BE SUBMITTED TO ANY OUTSIDE PARTIES FOR EXAMINATION WITHOUT TEKNION CONSENT. THIS DRAWING MUST NOT BE SCALED OR USED FOR CONSTRUCTION PURPOSES

Publish Date: Feb 23 2026

teknion



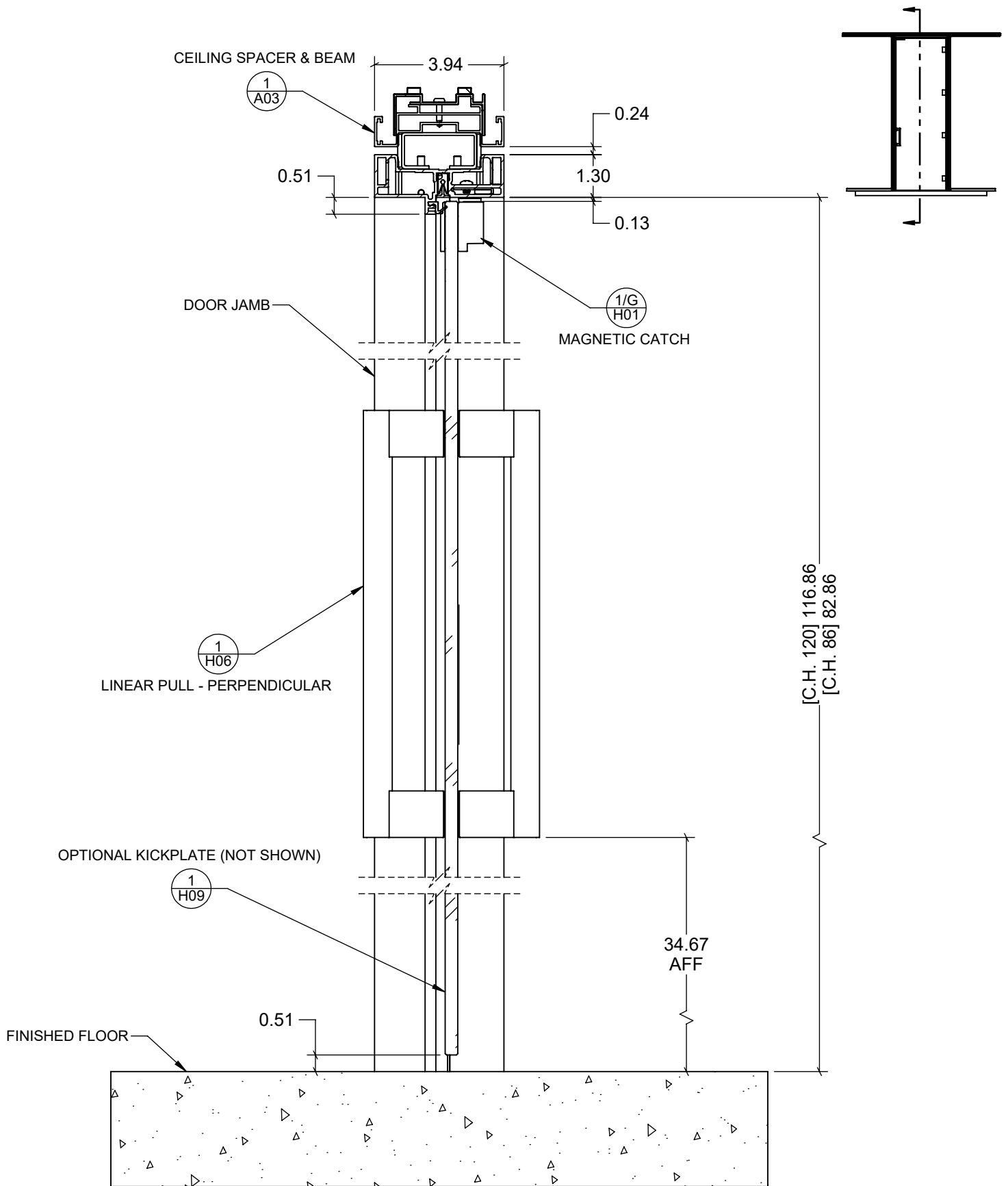
4/H GLASS HINGED DOOR LEAF SINGLE  
 C03 WITH JAMB AND FLOOR PULL - NON LOCKING

OPTOS LP - SWING DOOR DETAILS

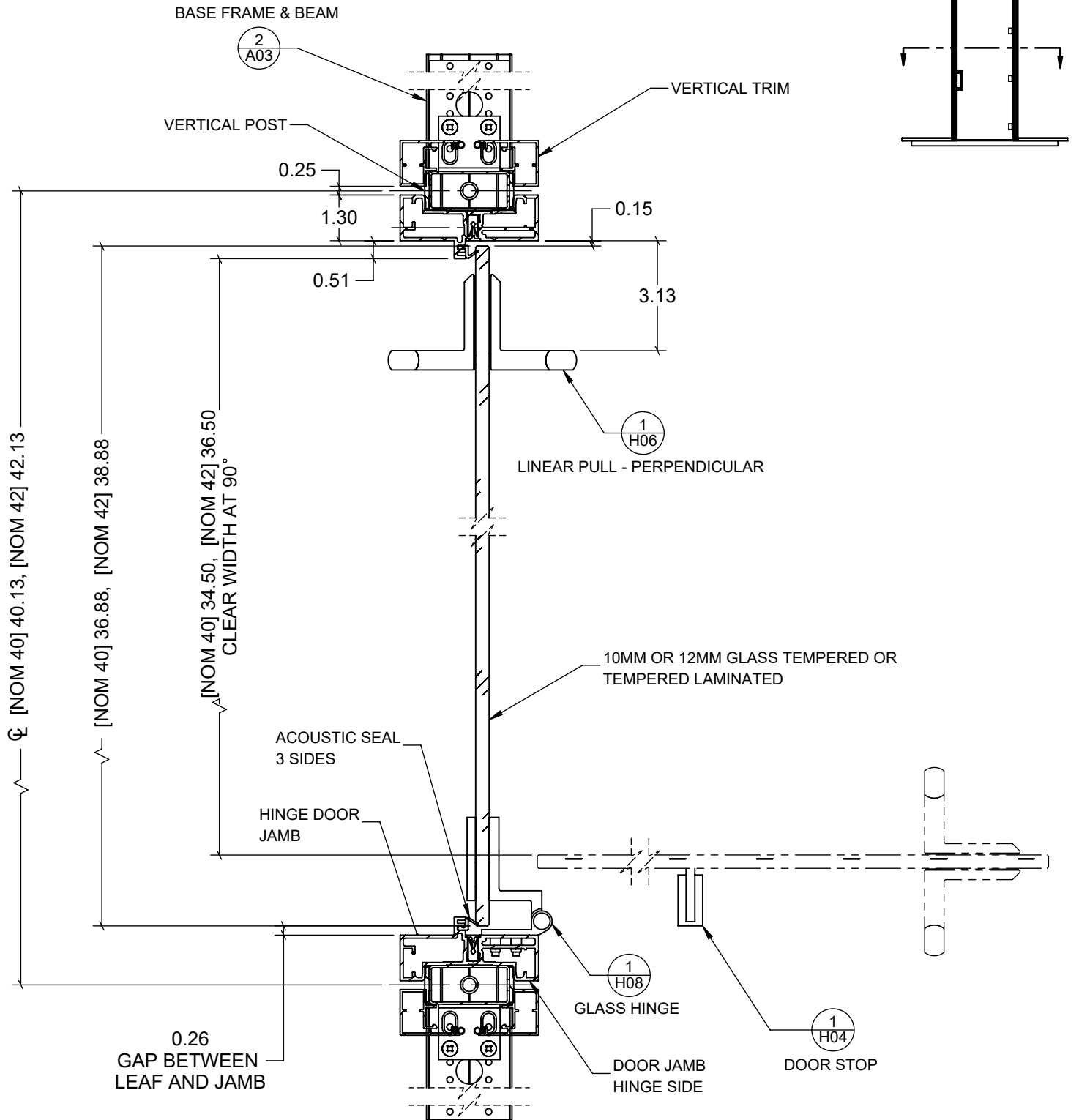
MODIFIED SEPTEMBER 29, 2024

UNIT INCH

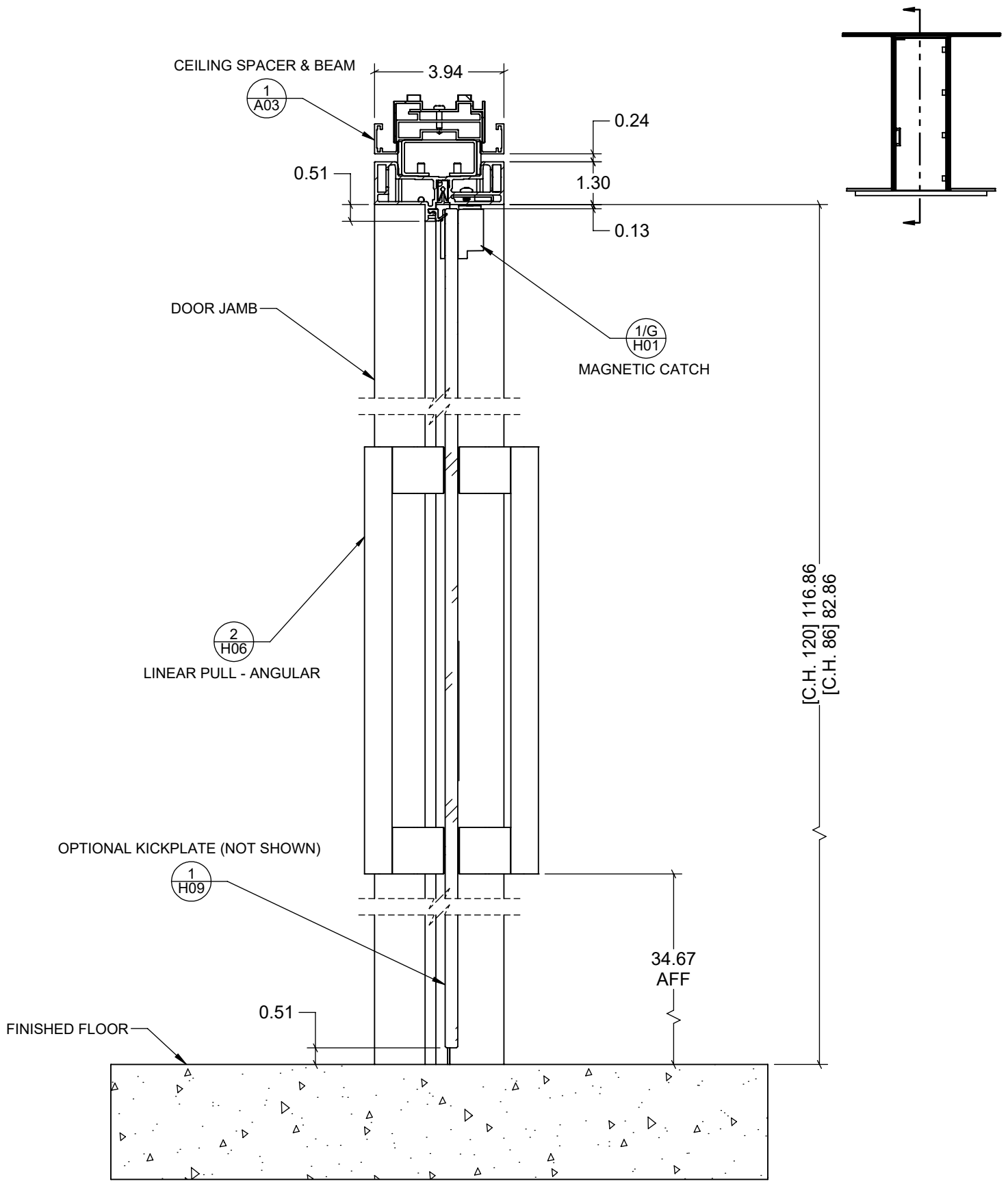
SCALE 1:4



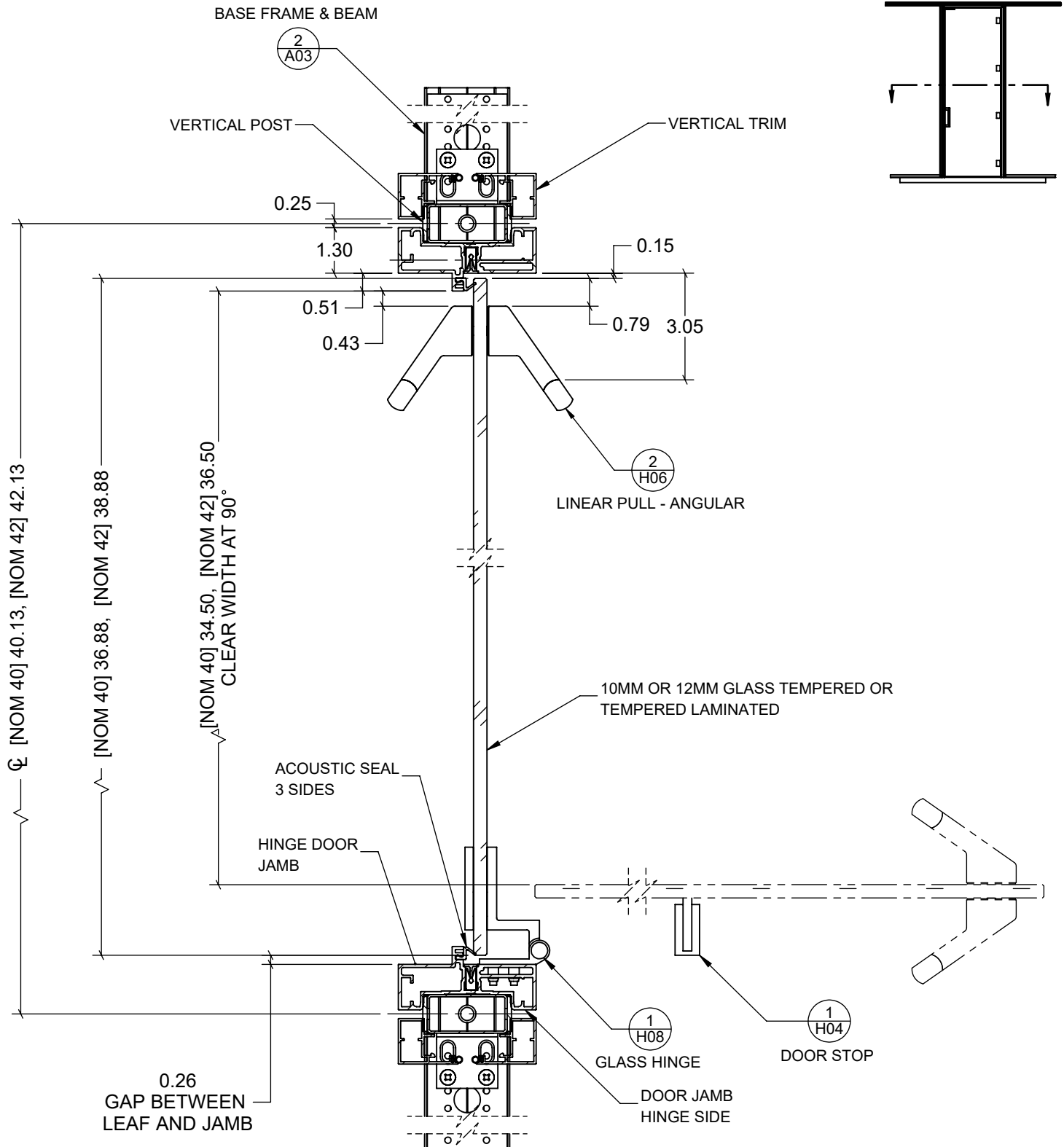
5/V GLASS HINGED DOOR LEAF SINGLE  
 C03 WITH JAMB AND LINEAR PULL - PERPENDICULAR



5/H GLASS HINGED DOOR LEAF SINGLE  
 C03 WITH JAMB AND LINEAR PULL - PERPENDICULAR



6/V GLASS HINGED DOOR LEAF SINGLE  
 C03 WITH JAMB AND LINEAR PULL - ANGULAR



6/H GLASS HINGED DOOR LEAF SINGLE  
 C03 WITH JAMB AND LINEAR PULL - ANGULAR

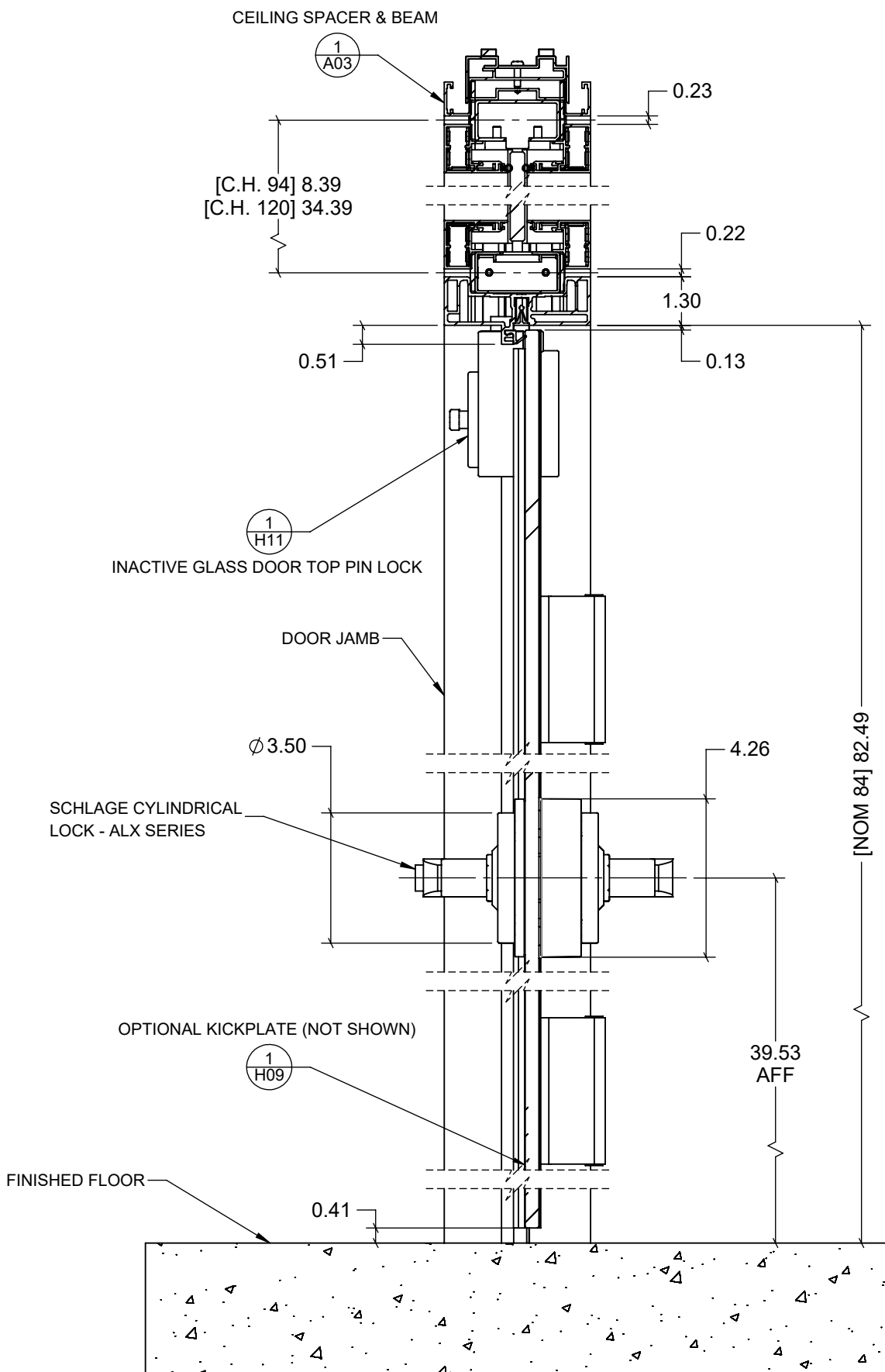
OPTOS LP - SWING DOOR DETAILS

MODIFIED SEPTEMBER 29, 2024 UNIT INCH SCALE 1:4

THIS DRAWING IS THE PROPERTY OF TEKNION LIMITED AND IS SUBJECT TO RETURN UPON DEMAND. IT MUST NOT BE SUBMITTED TO ANY OUTSIDE PARTIES FOR EXAMINATION WITHOUT TEKNION CONSENT. THIS DRAWING MUST NOT BE SCALED OR USED FOR CONSTRUCTION PURPOSES

Publish Date: Feb 23 2026





1/V  
C06

GLASS HINGED DOOR LEAF DOUBLE  
WITH JAMB AND CYLINDRICAL LOCK ALX

OPTOS LP - SWING DOOR DETAILS

MODIFIED SEPTEMBER 29, 2024

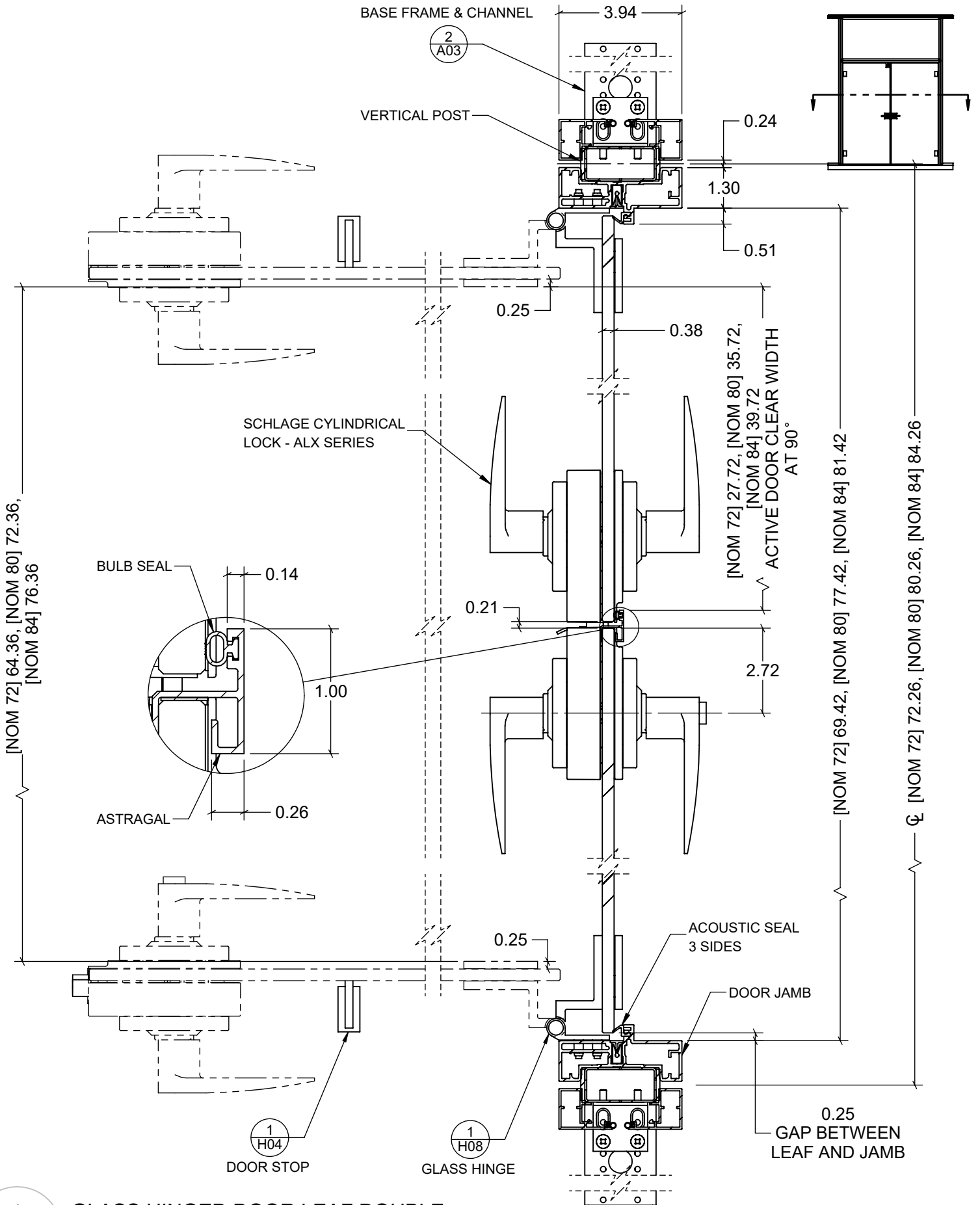
UNIT INCH

SCALE 1:4

THIS DRAWING IS THE PROPERTY OF TEKNION LIMITED AND IS SUBJECT TO RETURN UPON DEMAND. IT MUST NOT BE SUBMITTED TO ANY OUTSIDE PARTIES FOR EXAMINATION WITHOUT TEKNION CONSENT. THIS DRAWING MUST NOT BE SCALED OR USED FOR CONSTRUCTION PURPOSES

Publish Date: Feb 23 2026





1/H GLASS HINGED DOOR LEAF DOUBLE  
 C06 WITH JAMB AND CYLINDRICAL LOCK ALX

OPTOS LP - SWING DOOR DETAILS

MODIFIED SEPTEMBER 29, 2024

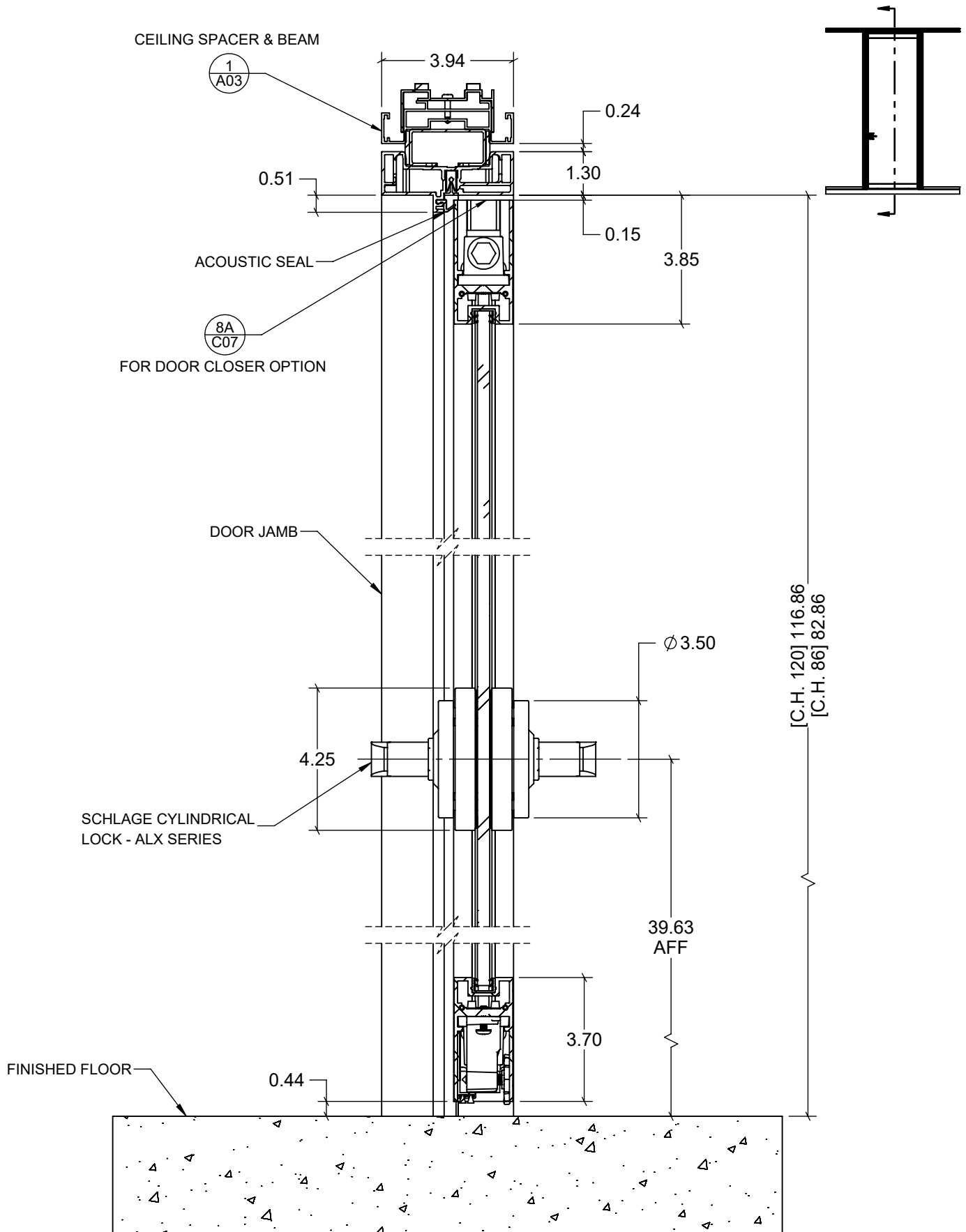
UNIT INCH

SCALE 1:4

THIS DRAWING IS THE PROPERTY OF TEKNION LIMITED AND IS SUBJECT TO RETURN UPON DEMAND. IT MUST NOT BE SUBMITTED TO ANY OUTSIDE PARTIES FOR EXAMINATION WITHOUT TEKNION CONSENT. THIS DRAWING MUST NOT BE SCALED OR USED FOR CONSTRUCTION PURPOSES

Publish Date: Feb 23 2026





1/V GLASS PIVOT DOOR LEAF SINGLE STD BASE  
C07 WITH JAMB AND CYLINDRICAL LOCK ALX

OPTOS LP - SWING DOOR DETAIL

MODIFIED SEPTEMBER 29, 2024

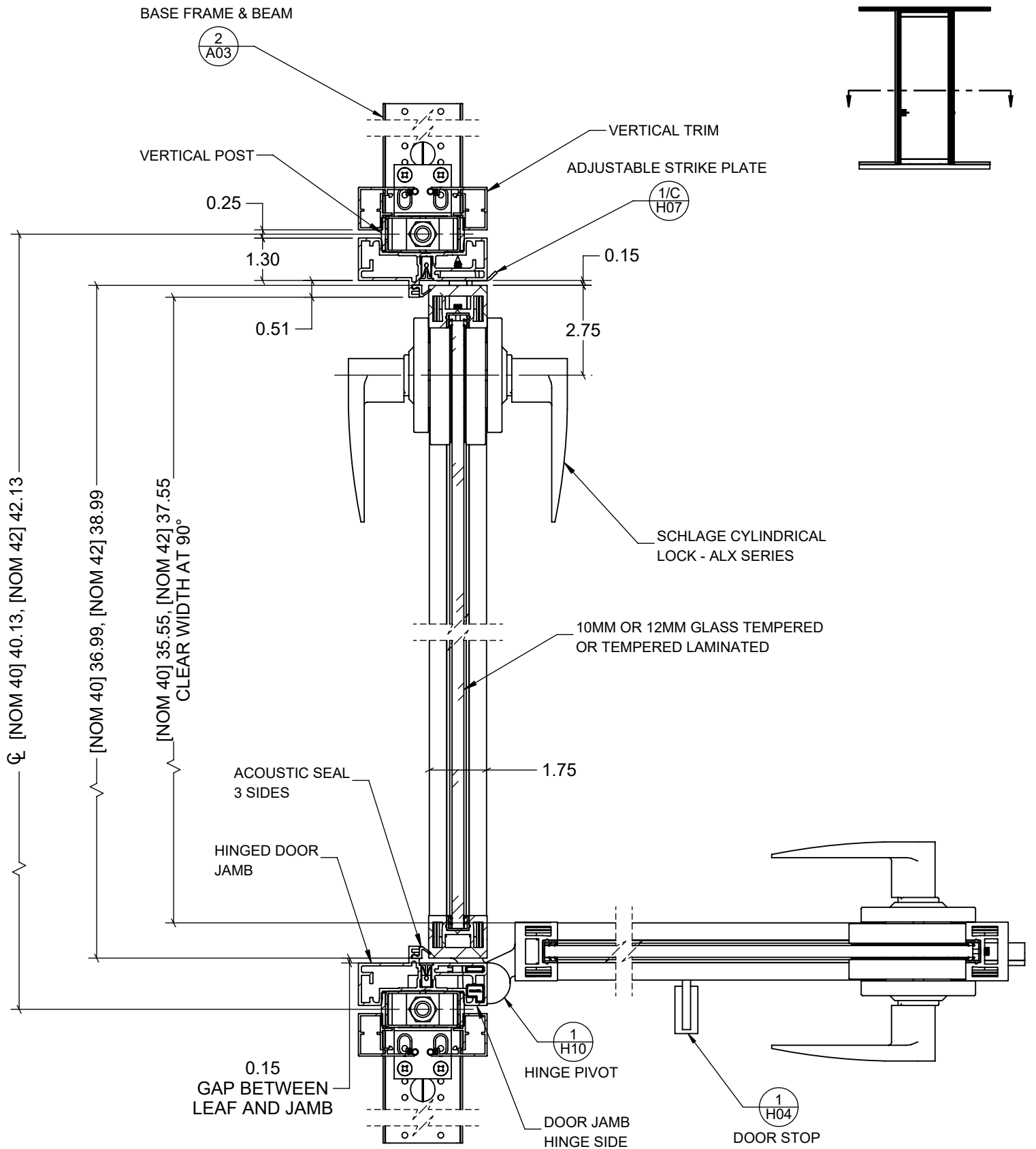
UNIT INCH

SCALE 1:4

THIS DRAWING IS THE PROPERTY OF TEKNION LIMITED AND IS SUBJECT TO RETURN UPON DEMAND. IT MUST NOT BE SUBMITTED TO ANY OUTSIDE PARTIES FOR EXAMINATION WITHOUT TEKNION CONSENT. THIS DRAWING MUST NOT BE SCALED OR USED FOR CONSTRUCTION PURPOSES

Publish Date: Feb 23 2026

teknion



1/H GLASS PIVOT DOOR LEAF SINGLE STD BASE  
C07 WITH JAMB AND CYLINDRICAL LOCK ALX

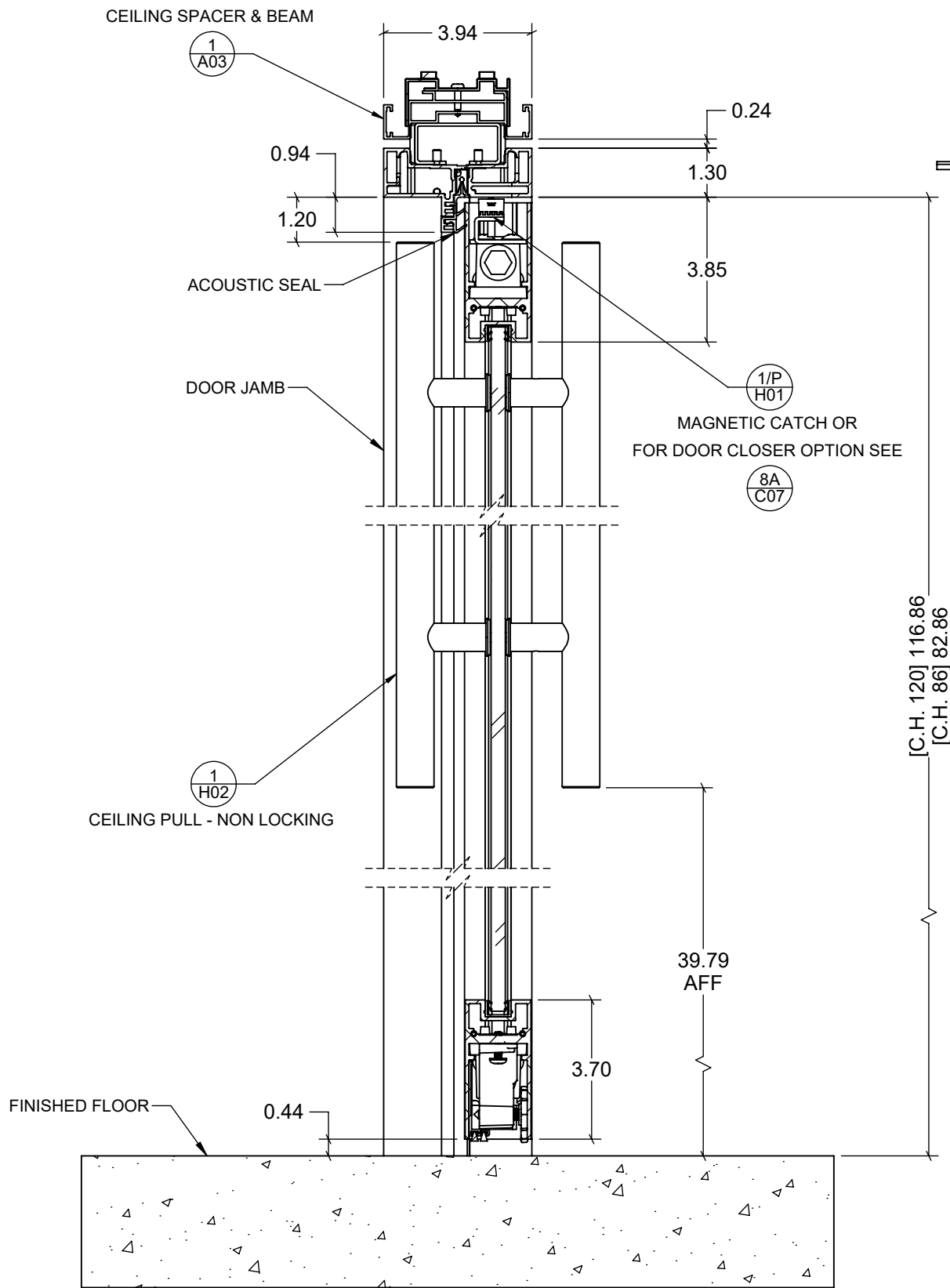
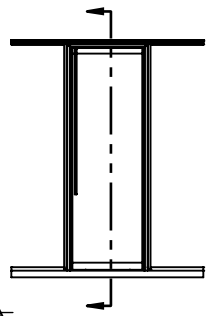
**OPTOS LP - SWING DOOR DETAIL**

MODIFIED	SEPTEMBER 29, 2024	UNIT	INCH	SCALE	1:4
----------	--------------------	------	------	-------	-----

THIS DRAWING IS THE PROPERTY OF TEKNION LIMITED AND IS SUBJECT TO RETURN UPON DEMAND. IT MUST NOT BE SUBMITTED TO ANY OUTSIDE PARTIES FOR EXAMINATION WITHOUT TEKNION CONSENT. THIS DRAWING MUST NOT BE SCALED OR USED FOR CONSTRUCTION PURPOSES

Publish Date: Feb 23 2026





2/V GLASS PIVOT DOOR LEAF SINGLE STD BASE  
 C07 WITH JAMB AND CEILING PULL - NON LOCKING

OPTOS LP - SWING DOOR DETAIL

MODIFIED SEPTEMBER 29, 2024

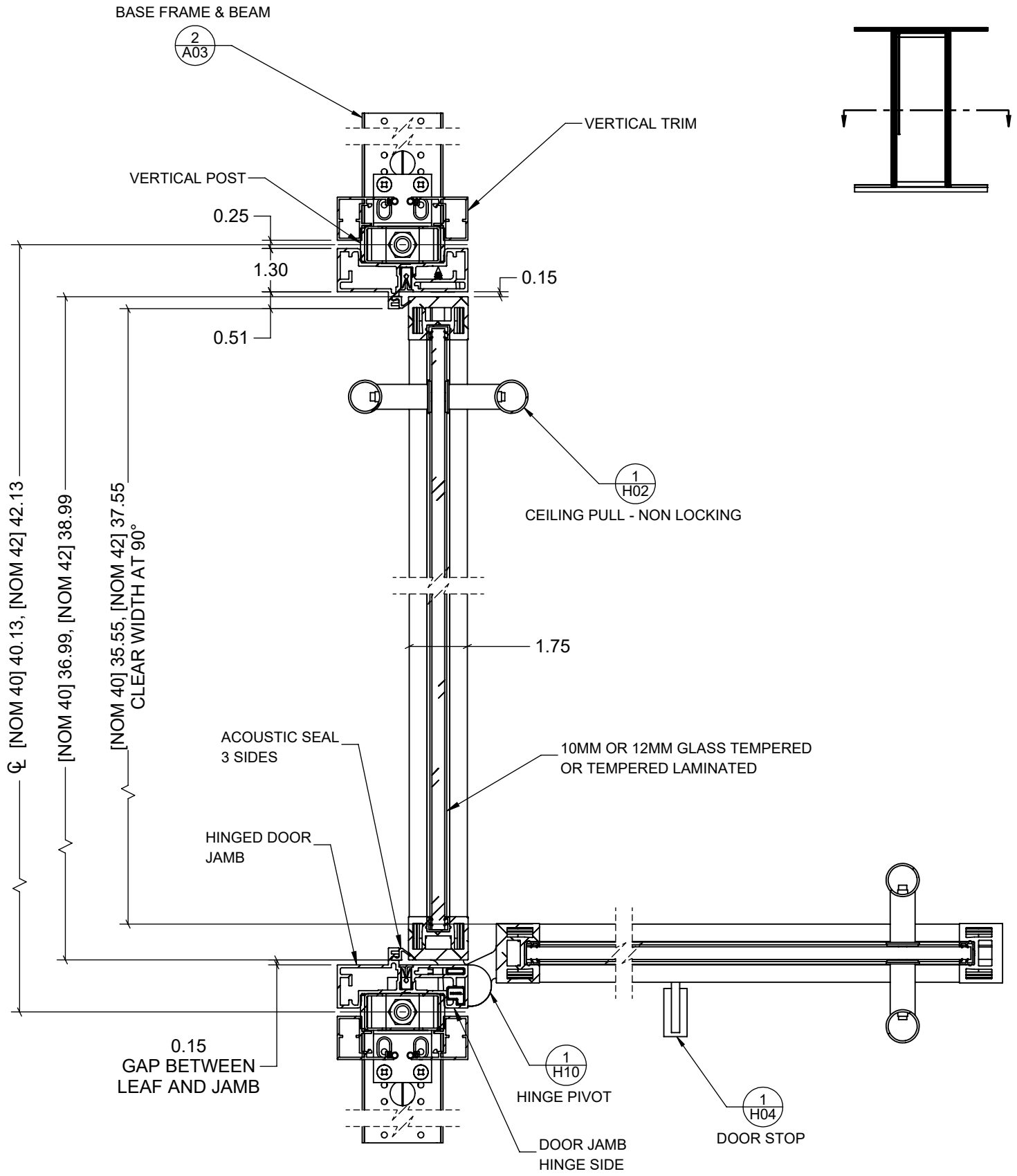
UNIT INCH

SCALE 1:4

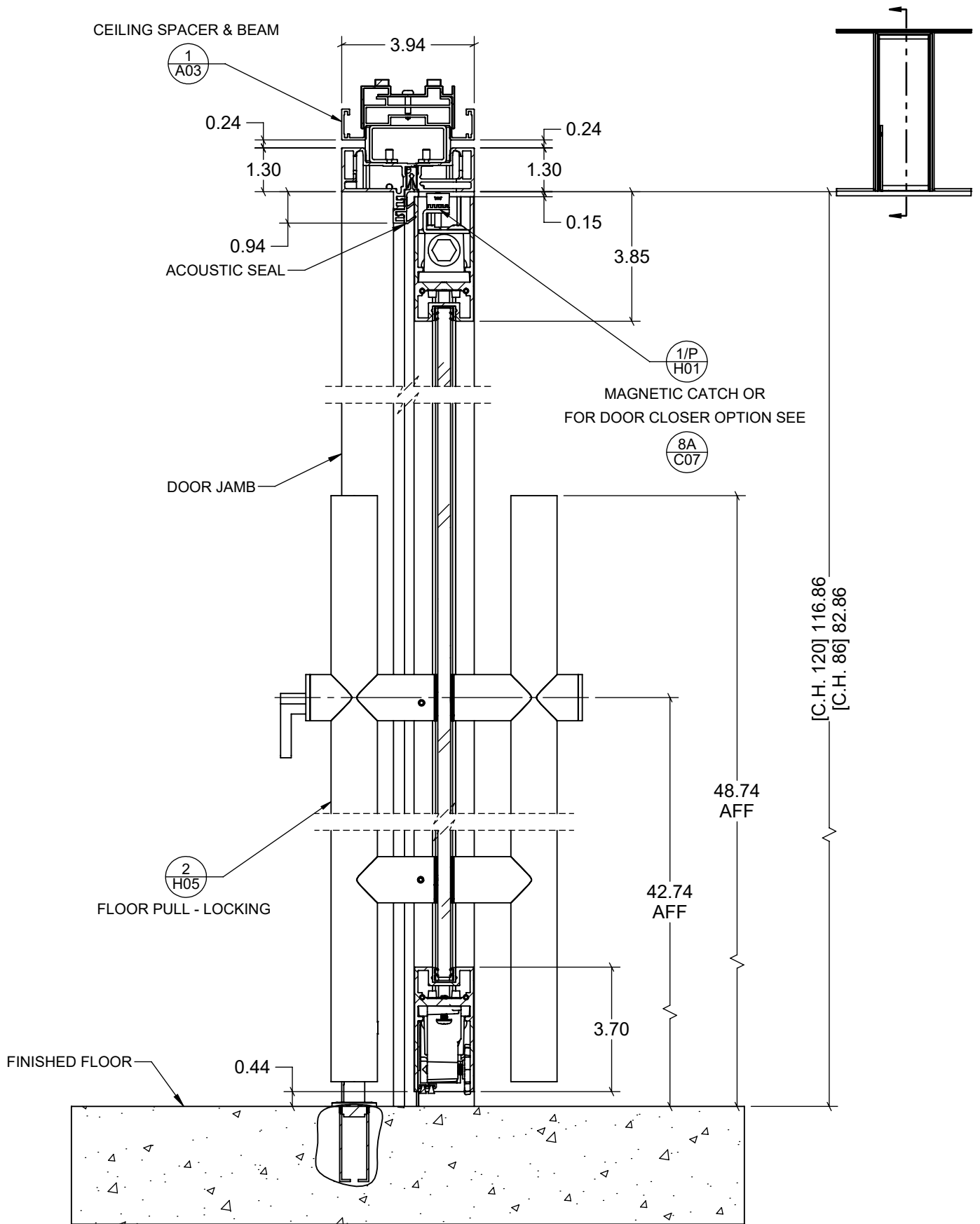
THIS DRAWING IS THE PROPERTY OF TEKNION LIMITED AND IS SUBJECT TO RETURN UPON DEMAND. IT MUST NOT BE SUBMITTED TO ANY OUTSIDE PARTIES FOR EXAMINATION WITHOUT TEKNION CONSENT. THIS DRAWING MUST NOT BE SCALED OR USED FOR CONSTRUCTION PURPOSES

Publish Date: Feb 23 2026





2/H GLASS PIVOT DOOR LEAF SINGLE STD BASE  
 C07 WITH JAMB AND CEILING PULL - NON LOCKING



3/V GLASS PIVOT DOOR LEAF SINGLE STD BASE  
C07 WITH JAMB AND FLOOR PULL - LOCKING

**OPTOS LP - SWING DOOR DETAIL**

MODIFIED SEPTEMBER 29, 2024

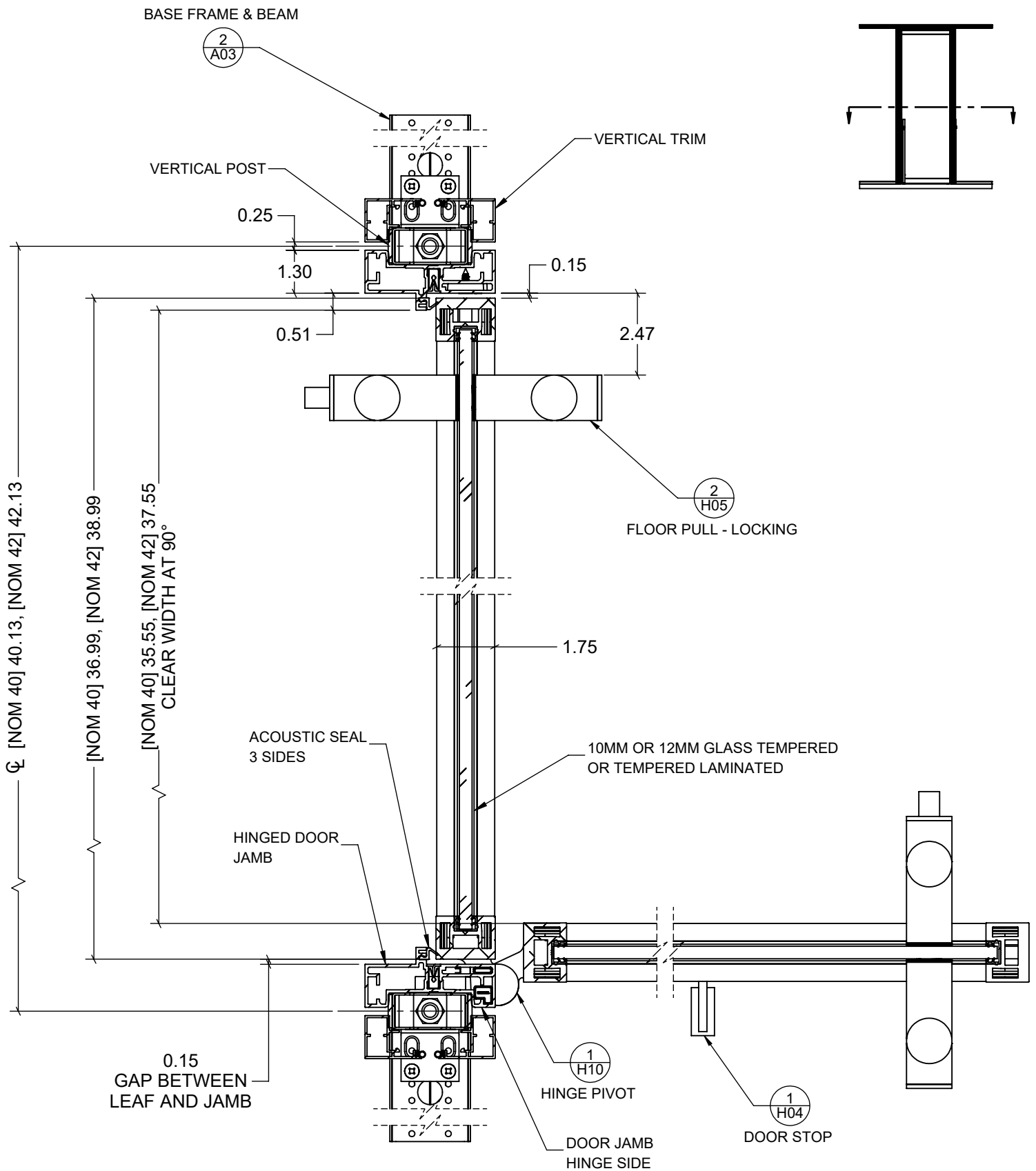
UNIT INCH

SCALE 1:4

THIS DRAWING IS THE PROPERTY OF TEKNION LIMITED AND IS SUBJECT TO RETURN UPON DEMAND. IT MUST NOT BE SUBMITTED TO ANY OUTSIDE PARTIES FOR EXAMINATION WITHOUT TEKNION CONSENT. THIS DRAWING MUST NOT BE SCALED OR USED FOR CONSTRUCTION PURPOSES

Publish Date: Feb 23 2026





3/H GLASS PIVOT DOOR LEAF SINGLE STD BASE  
 C07 WITH JAMB AND FLOOR PULL - LOCKING

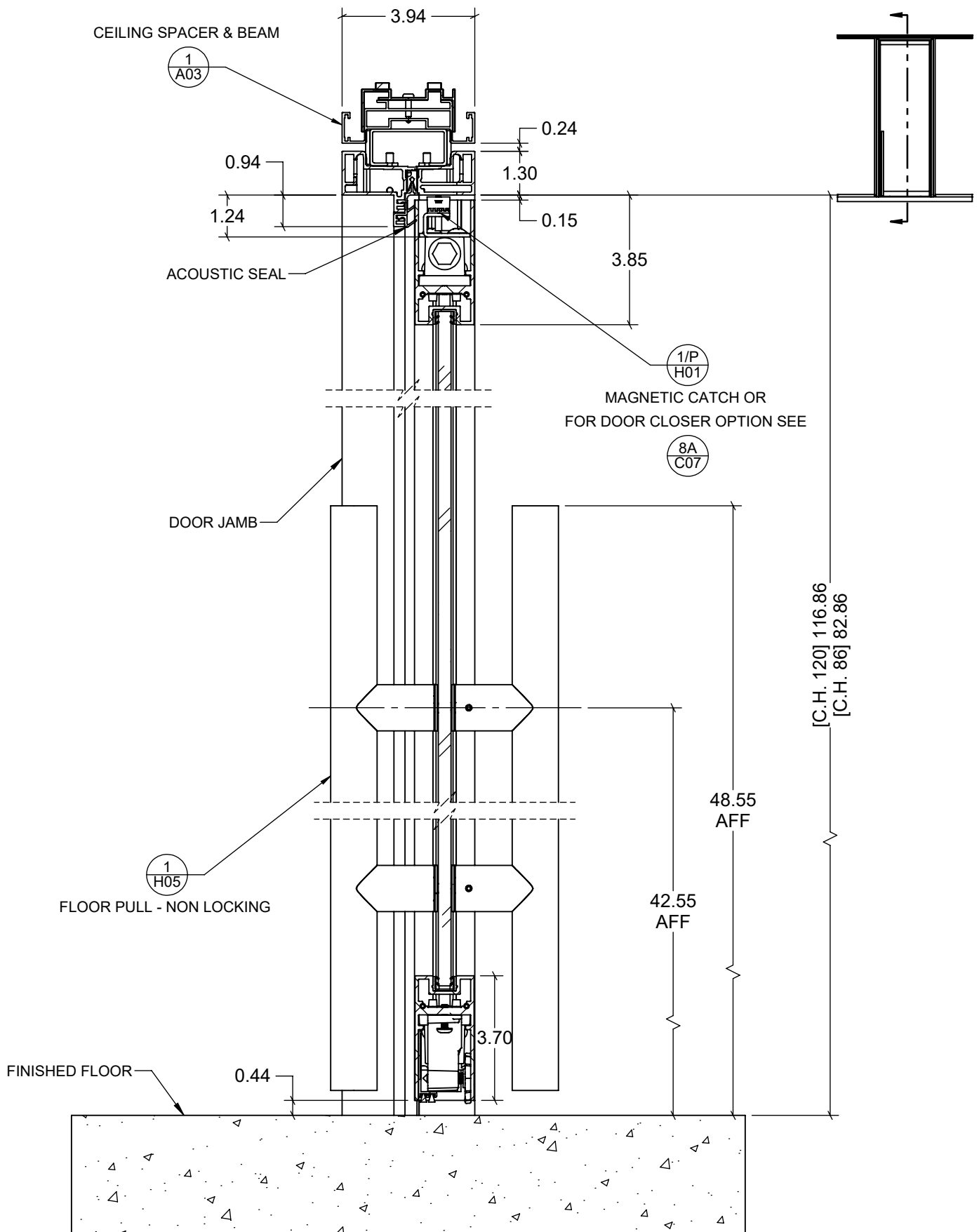
OPTOS LP - SWING DOOR DETAIL

MODIFIED	SEPTEMBER 29, 2024	UNIT	INCH	SCALE	1:4
----------	--------------------	------	------	-------	-----

THIS DRAWING IS THE PROPERTY OF TEKNION LIMITED AND IS SUBJECT TO RETURN UPON DEMAND. IT MUST NOT BE SUBMITTED TO ANY OUTSIDE PARTIES FOR EXAMINATION WITHOUT TEKNION CONSENT. THIS DRAWING MUST NOT BE SCALED OR USED FOR CONSTRUCTION PURPOSES

Publish Date: Feb 23 2026





4/V GLASS PIVOT DOOR LEAF SINGLE STD BASE  
C07 WITH JAMB AND FLOOR PULL - NON LOCKING

OPTOS LP - SWING DOOR DETAIL

MODIFIED SEPTEMBER 29, 2024

UNIT INCH

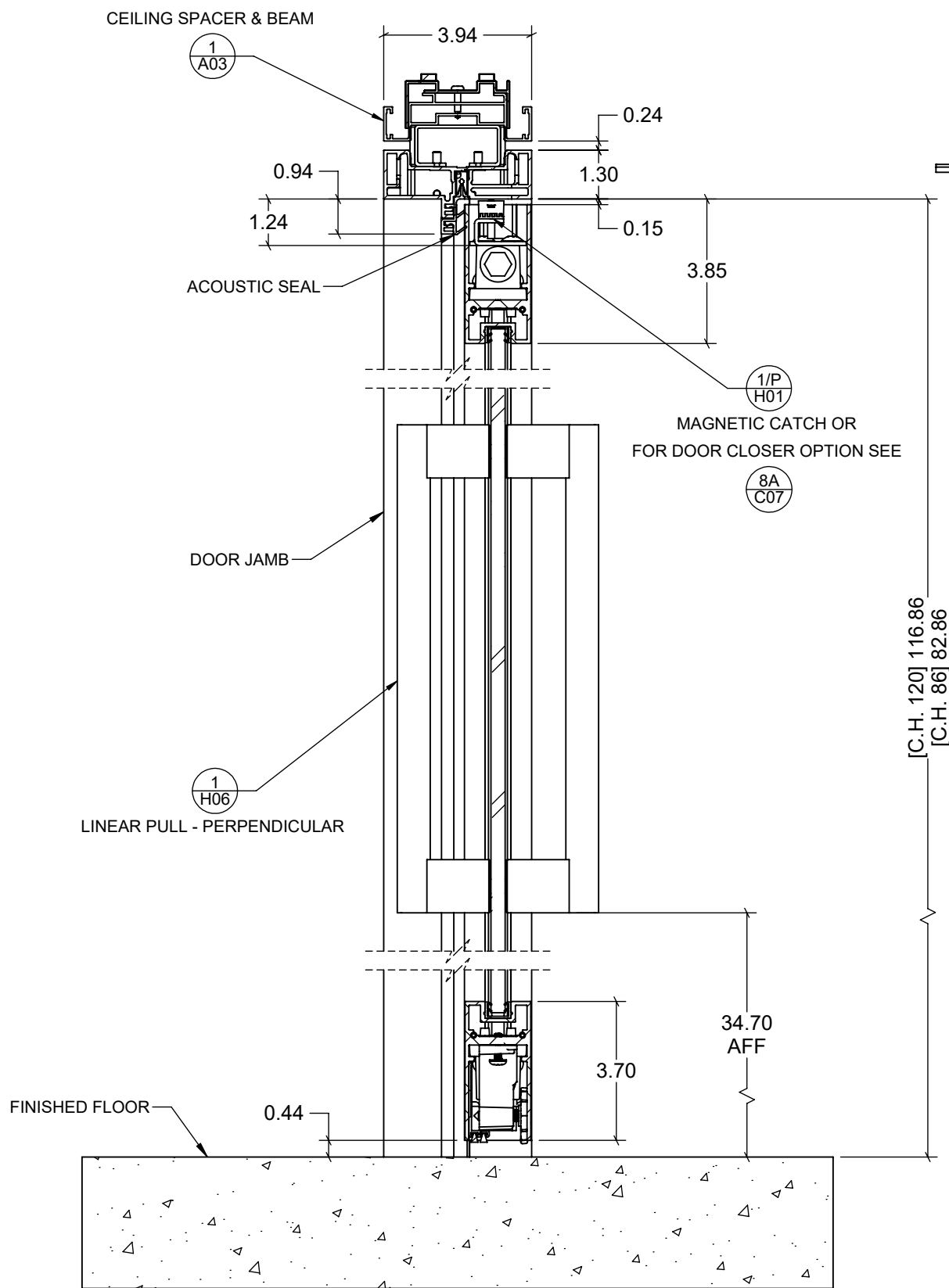
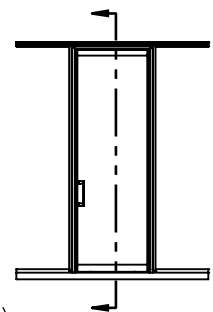
SCALE 1:4

THIS DRAWING IS THE PROPERTY OF TEKNION LIMITED AND IS SUBJECT TO RETURN UPON DEMAND. IT MUST NOT BE SUBMITTED TO ANY OUTSIDE PARTIES FOR EXAMINATION WITHOUT TEKNION CONSENT. THIS DRAWING MUST NOT BE SCALED OR USED FOR CONSTRUCTION PURPOSES

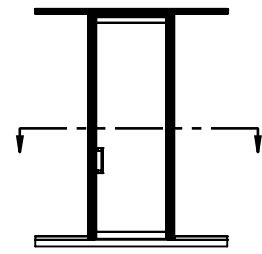
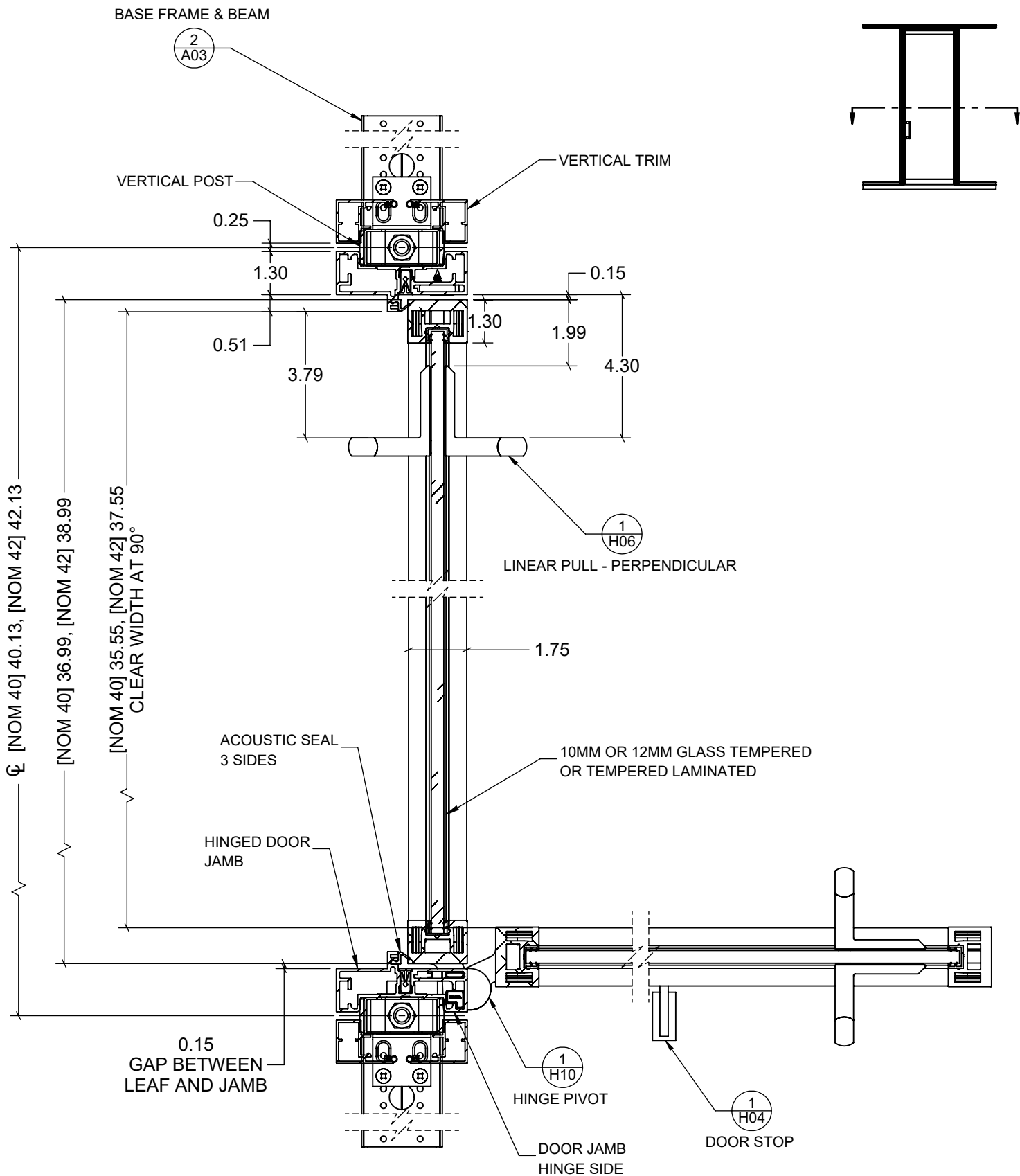
Publish Date: Feb 23 2026

teknion





5/V GLASS PIVOT DOOR LEAF SINGLE STD BASE  
 C07 WITH JAMB AND LINEAR PULL - PERPENDICULAR

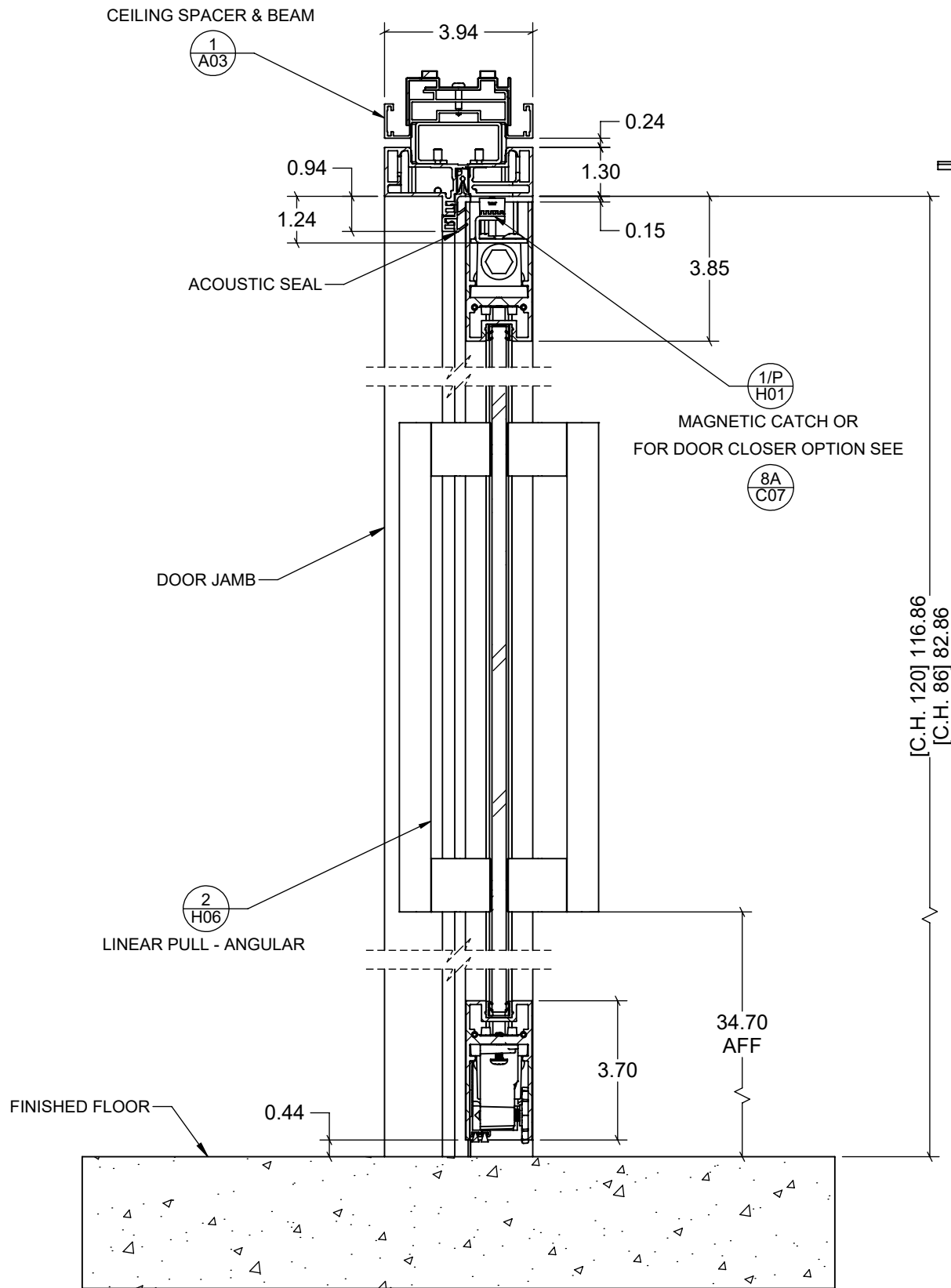
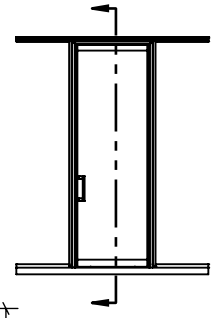


5/H  
C07

GLASS PIVOT DOOR LEAF SINGLE STD BASE  
WITH JAMB AND LINEAR PULL - PERPENDICULAR

OPTOS LP - SWING DOOR DETAIL

MODIFIED SEPTEMBER 29, 2024 UNIT INCH SCALE 1:4



[C.H. 120] 116.86  
[C.H. 86] 82.86

6/V  
C07

GLASS PIVOT DOOR LEAF SINGLE STD BASE  
WITH JAMB AND LINEAR PULL - PERPENDICULAR

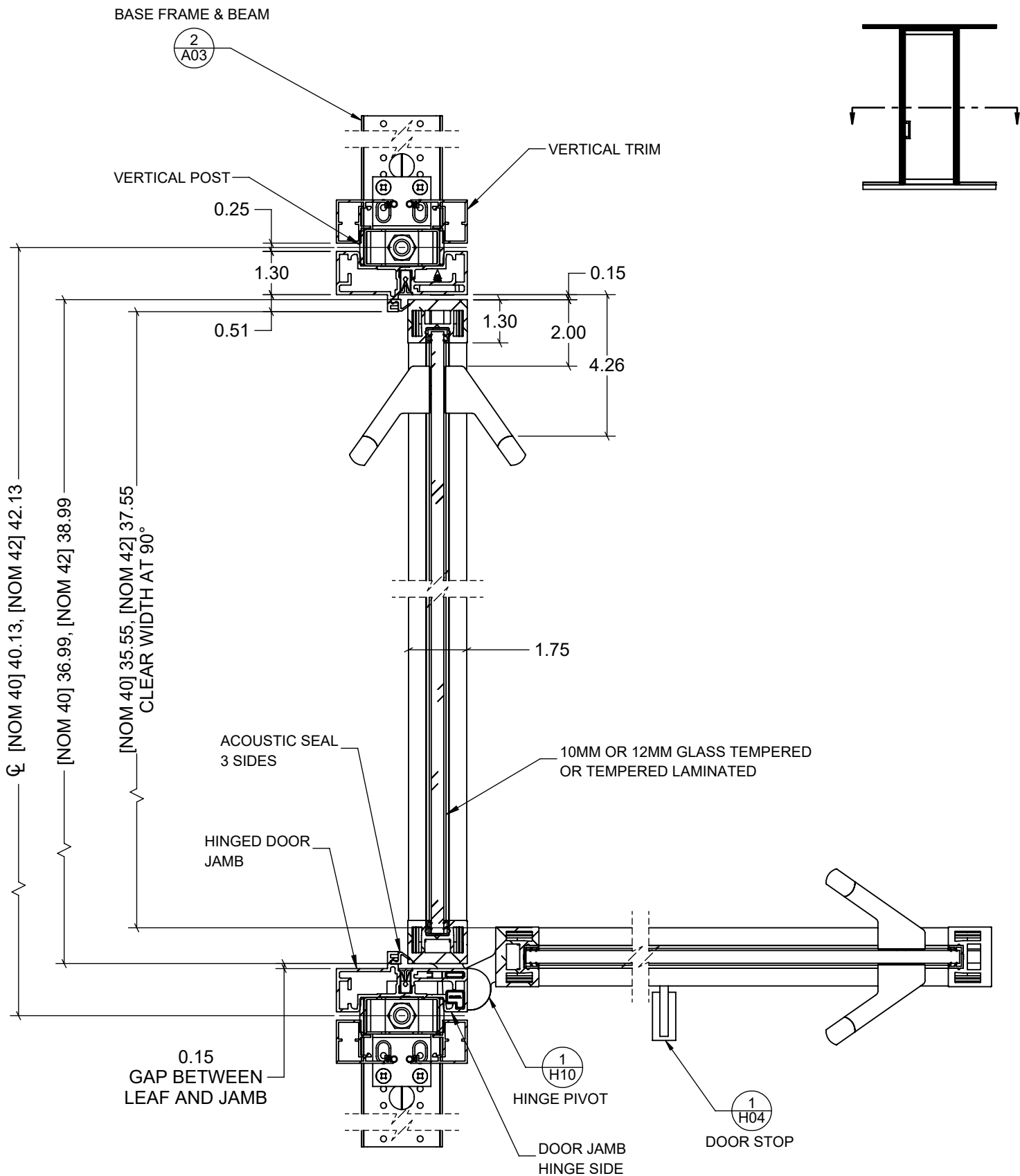
OPTOS LP - SWING DOOR DETAIL

MODIFIED	SEPTEMBER 29, 2024	UNIT	INCH	SCALE	1:4
----------	--------------------	------	------	-------	-----

THIS DRAWING IS THE PROPERTY OF TEKNION LIMITED AND IS SUBJECT TO RETURN UPON DEMAND. IT MUST NOT BE SUBMITTED TO ANY OUTSIDE PARTIES FOR EXAMINATION WITHOUT TEKNION CONSENT. THIS DRAWING MUST NOT BE SCALED OR USED FOR CONSTRUCTION PURPOSES

Publish Date: Feb 23 2026





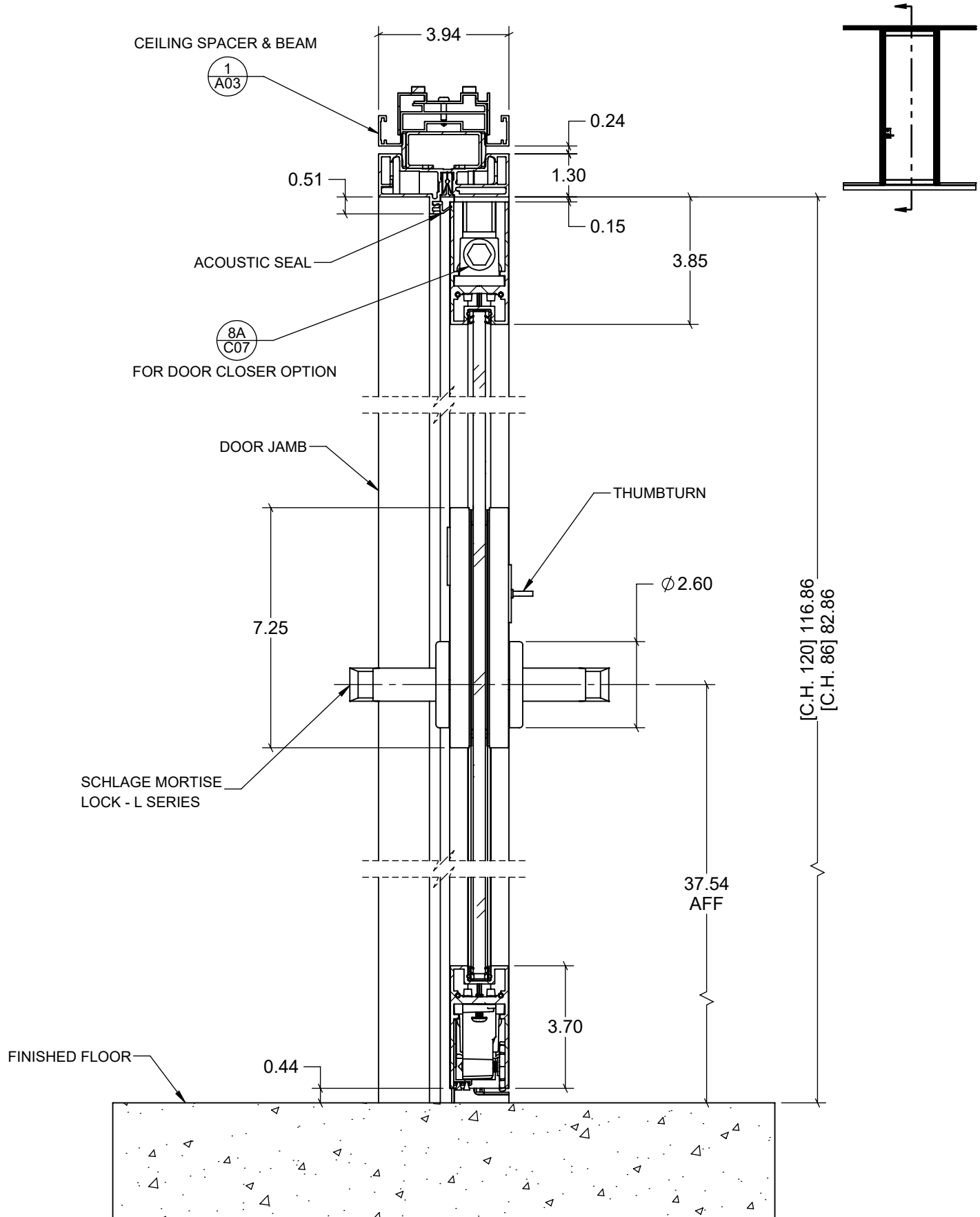
6/H GLASS PIVOT DOOR LEAF SINGLE STD BASE  
 C07 WITH JAMB AND LINEAR PULL - ANGULAR

OPTOS LP - SWING DOOR DETAIL

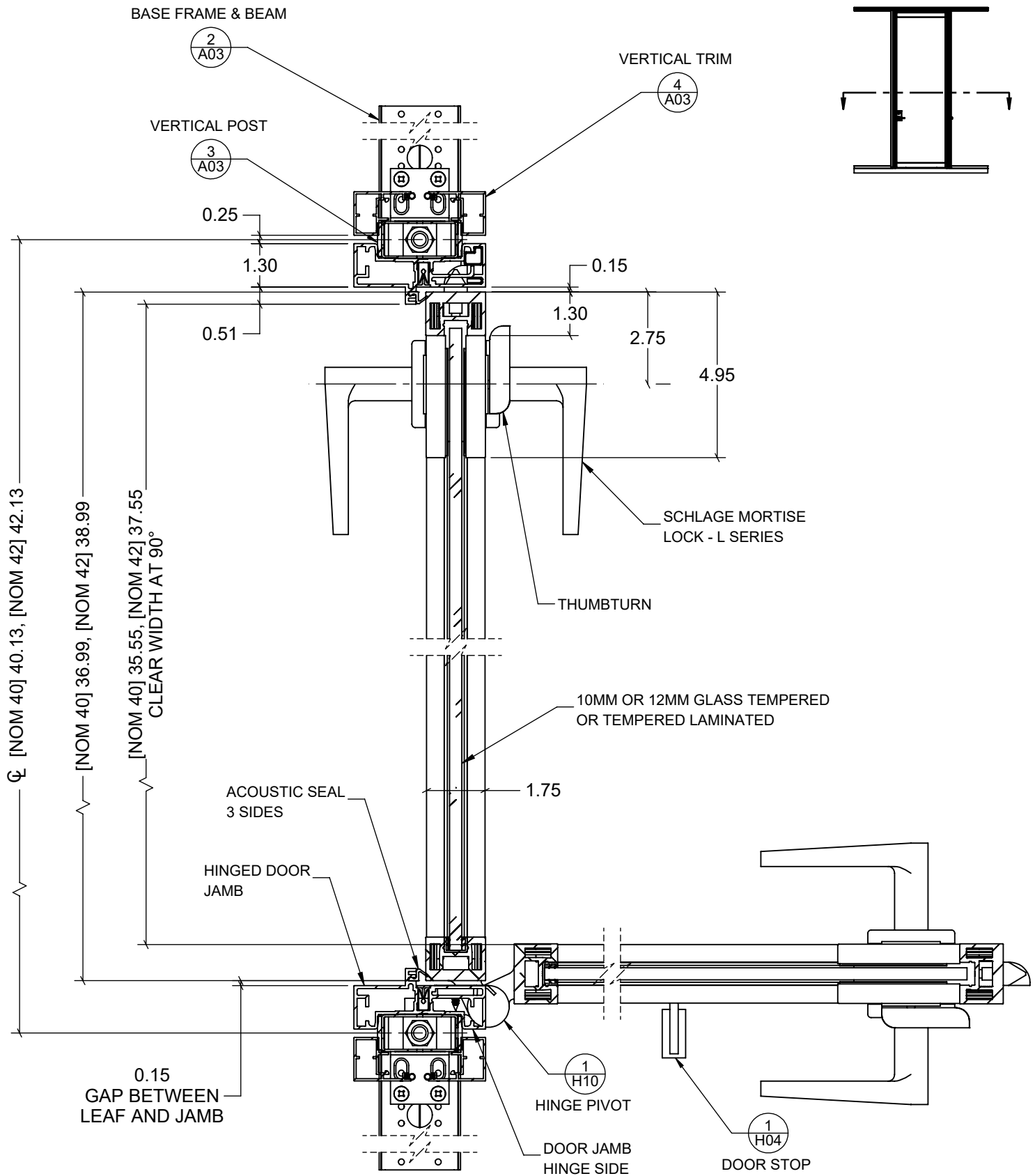
MODIFIED SEPTEMBER 29, 2024

UNIT INCH

SCALE 1:4



7/V GLASS PIVOT DOOR LEAF SINGLE STD BASE  
C07 WITH JAMB AND MORTISE LOCK L SERIES



7/H GLASS PIVOT DOOR LEAF SINGLE STD BASE  
 C07 WITH JAMB AND MORTISE LOCK L SERIES

OPTOS LP - SWING DOOR DETAIL

MODIFIED SEPTEMBER 29, 2024

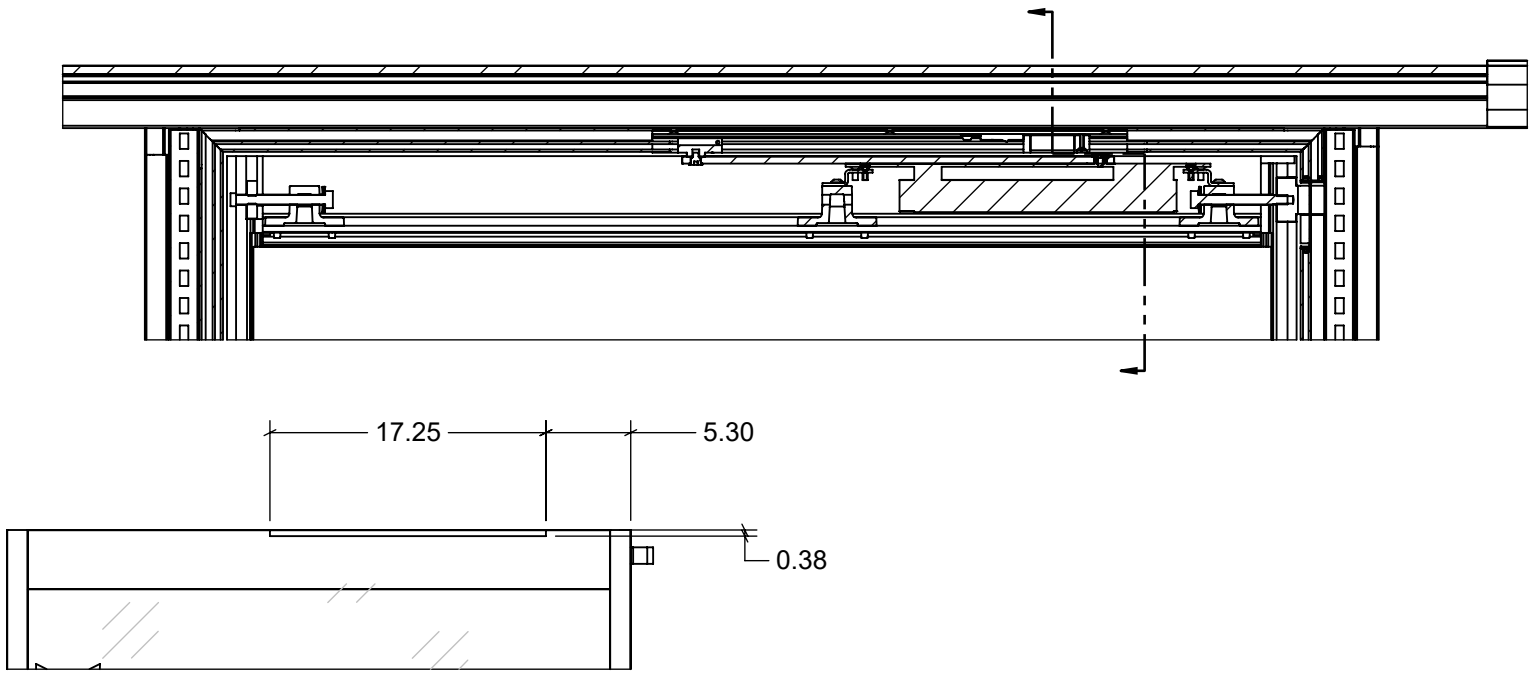
UNIT INCH

SCALE 1:4

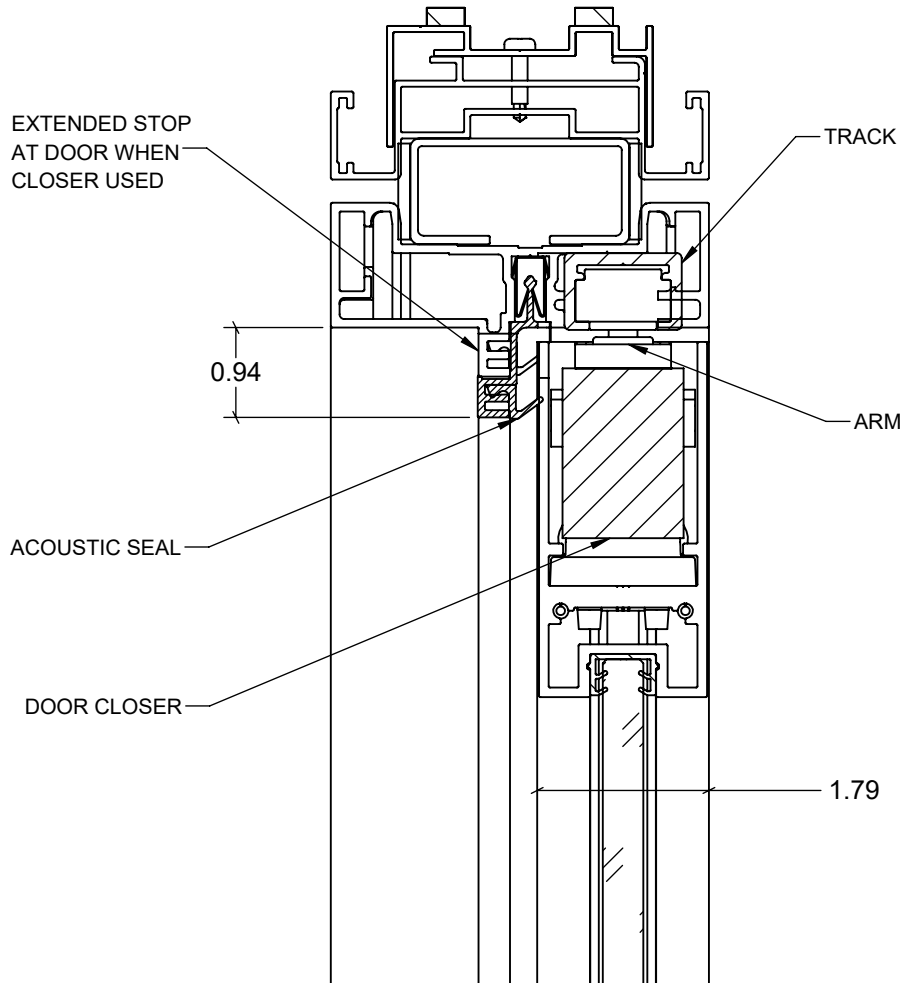
THIS DRAWING IS THE PROPERTY OF TEKNION LIMITED AND IS SUBJECT TO RETURN UPON DEMAND. IT MUST NOT BE SUBMITTED TO ANY OUTSIDE PARTIES FOR EXAMINATION WITHOUT TEKNION CONSENT. THIS DRAWING MUST NOT BE SCALED OR USED FOR CONSTRUCTION PURPOSES

Publish Date: Feb 23 2026



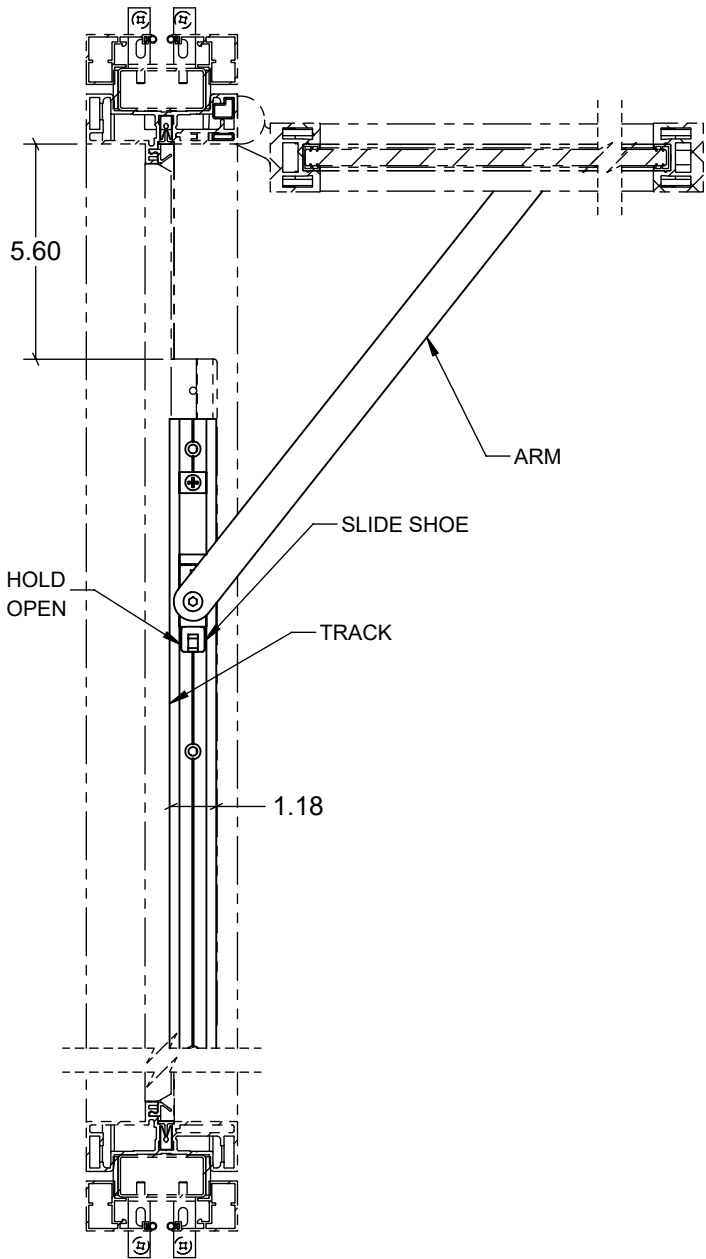
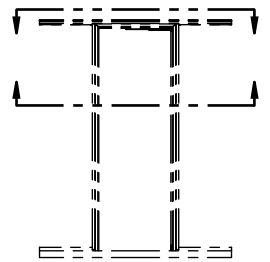


PIVOT DOOR CLOSER CUTOUT

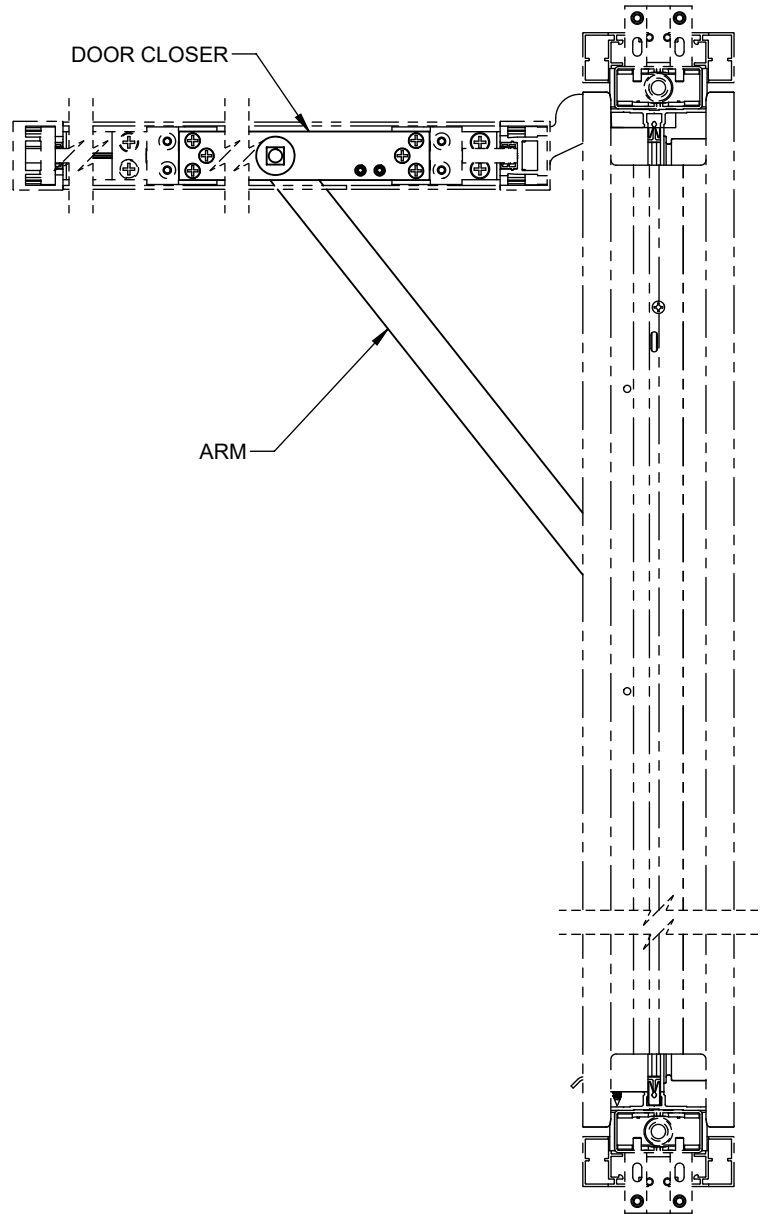


8/A  
C07

GLASS PIVOT DOOR LEAF SINGLE STD BASE  
PIVOT DOOR CLOSER OPTION AND JAMB DETAIL



BOTTOM VIEW



TOP VIEW

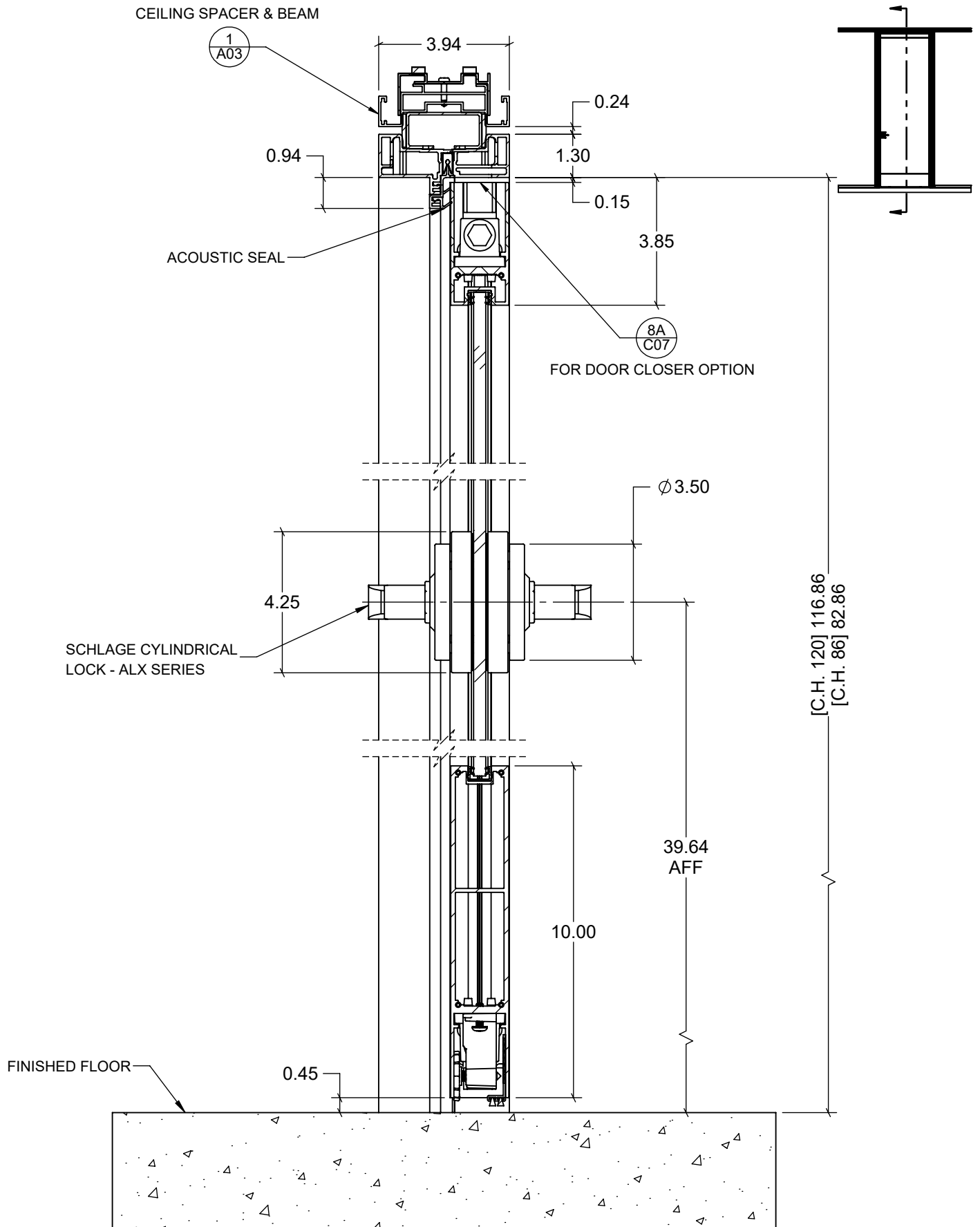
8/B  
C07

GLASS PIVOT DOOR LEAF SINGLE STD BASE  
PIVOT DOOR CLOSER OPTION AND JAMB DETAIL

OPTOS LP - SWING DOOR DETAIL

MODIFIED SEPTEMBER 29, 2024

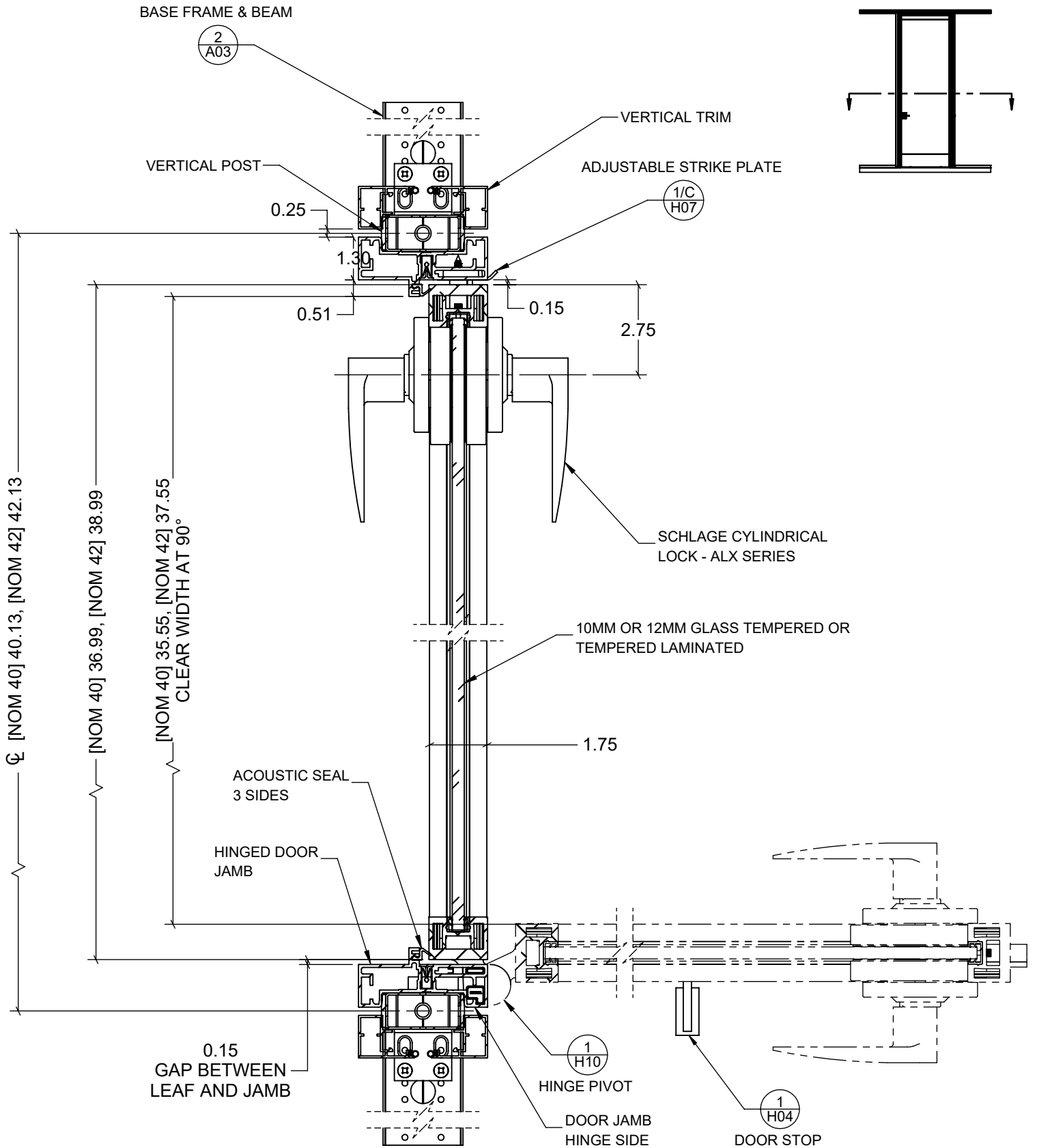
UNIT INCH SCALE 1:4



1/V GLASS PIVOT DOOR LEAF SINGLE ADA BASE  
 C08 WITH JAMB AND CYLINDRICAL LOCK ALX

OPTOS LP - SWING DOOR DETAIL

MODIFIED	SEPTEMBER 29, 2024	UNIT	INCH	SCALE	1:4
----------	--------------------	------	------	-------	-----



1/H GLASS PIVOT DOOR LEAF SINGLE ADA BASE  
 C08 WITH JAMB AND CYLINDRICAL LOCK ALX

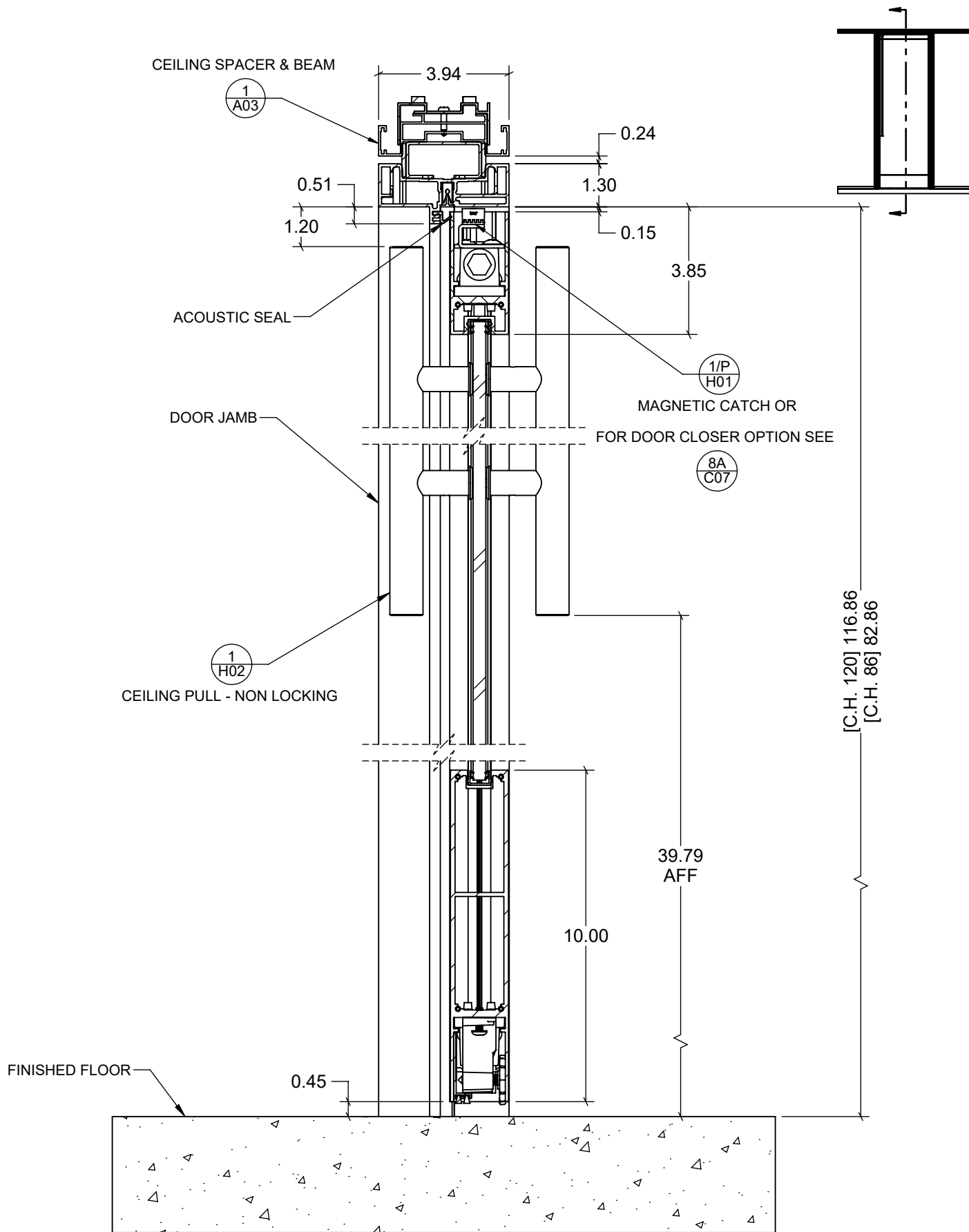
OPTOS LP - SWING DOOR DETAIL

MODIFIED	SEPTEMBER 29, 2024	UNIT	INCH	SCALE	1:4
----------	--------------------	------	------	-------	-----

THIS DRAWING IS THE PROPERTY OF TEKNION LIMITED AND IS SUBJECT TO RETURN UPON DEMAND. IT MUST NOT BE SUBMITTED TO ANY OUTSIDE PARTIES FOR EXAMINATION WITHOUT TEKNION CONSENT. THIS DRAWING MUST NOT BE SCALED OR USED FOR CONSTRUCTION PURPOSES

Publish Date: Feb 23 2026





2/V GLASS PIVOT DOOR LEAF SINGLE ADA BASE  
C08 WITH JAMB AND CEILING PULL - NON LOCKING

OPTOS LP - SWING DOOR DETAIL

MODIFIED SEPTEMBER 29, 2024

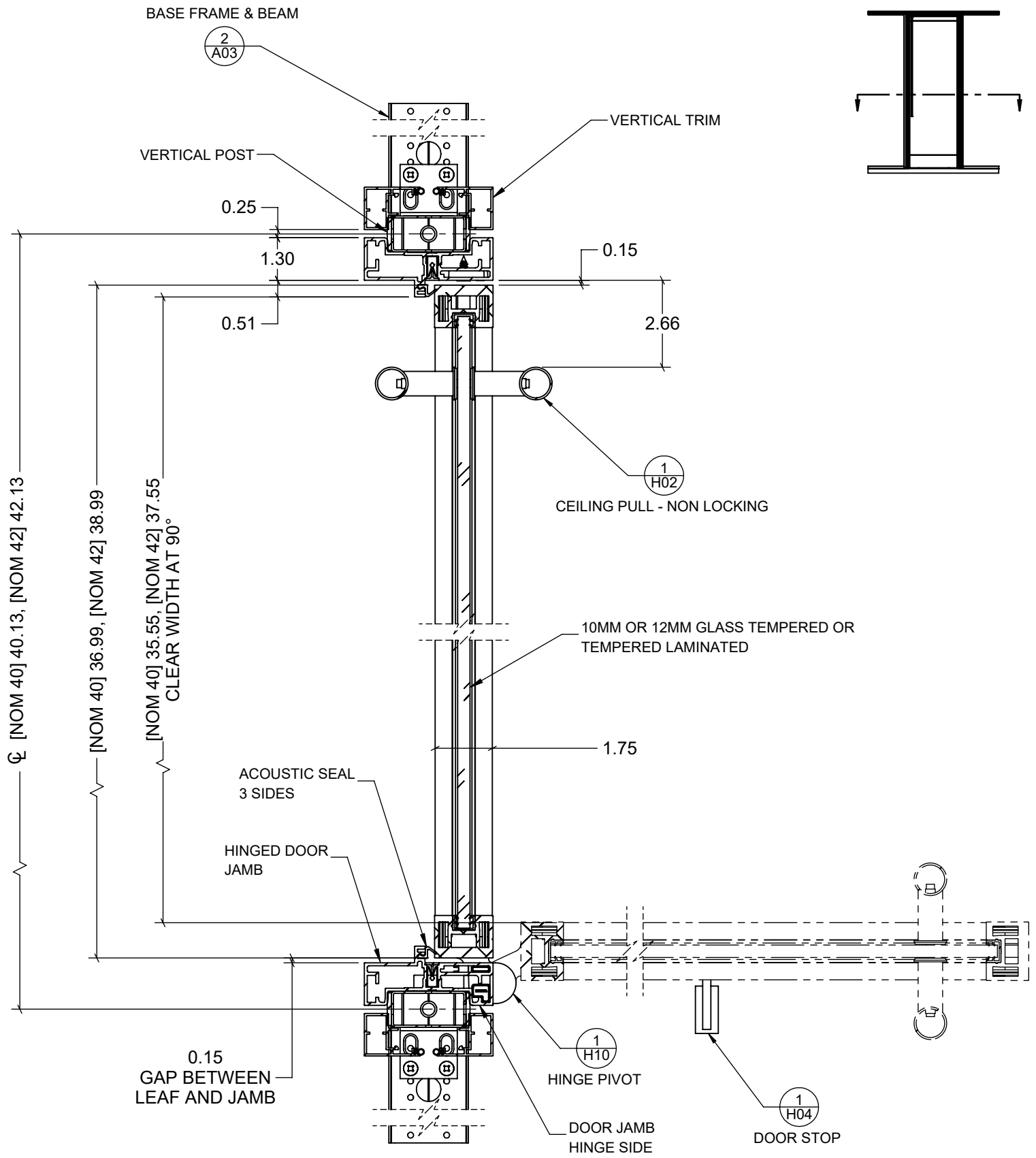
UNIT INCH

SCALE 1:4

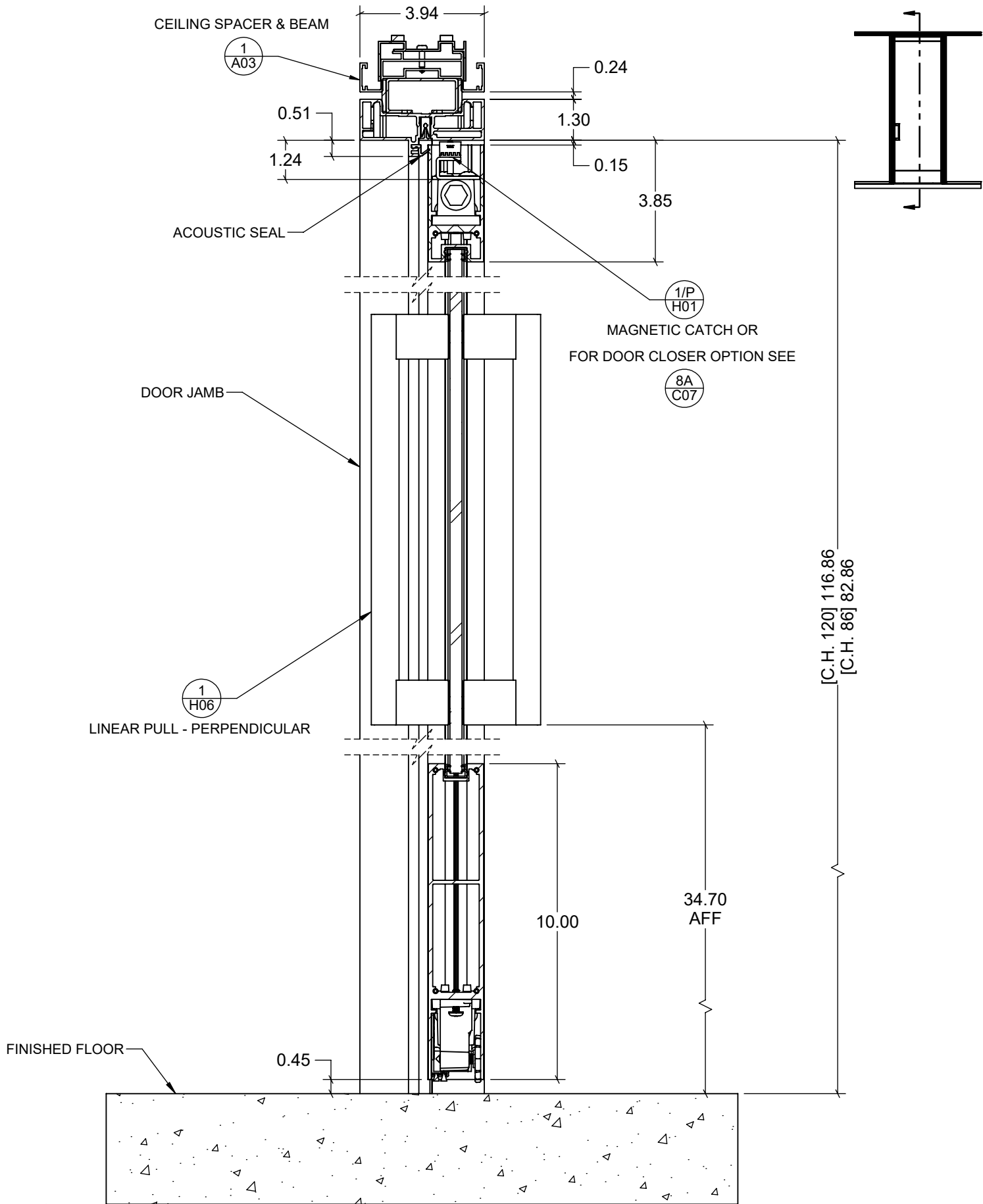
THIS DRAWING IS THE PROPERTY OF TEKNION LIMITED AND IS SUBJECT TO RETURN UPON DEMAND. IT MUST NOT BE SUBMITTED TO ANY OUTSIDE PARTIES FOR EXAMINATION WITHOUT TEKNION CONSENT. THIS DRAWING MUST NOT BE SCALED OR USED FOR CONSTRUCTION PURPOSES

Publish Date: Feb 23 2026

teknion



2/H GLASS PIVOT DOOR LEAF SINGLE ADA BASE  
C08 WITH JAMB AND CEILING PULL - NON LOCKING

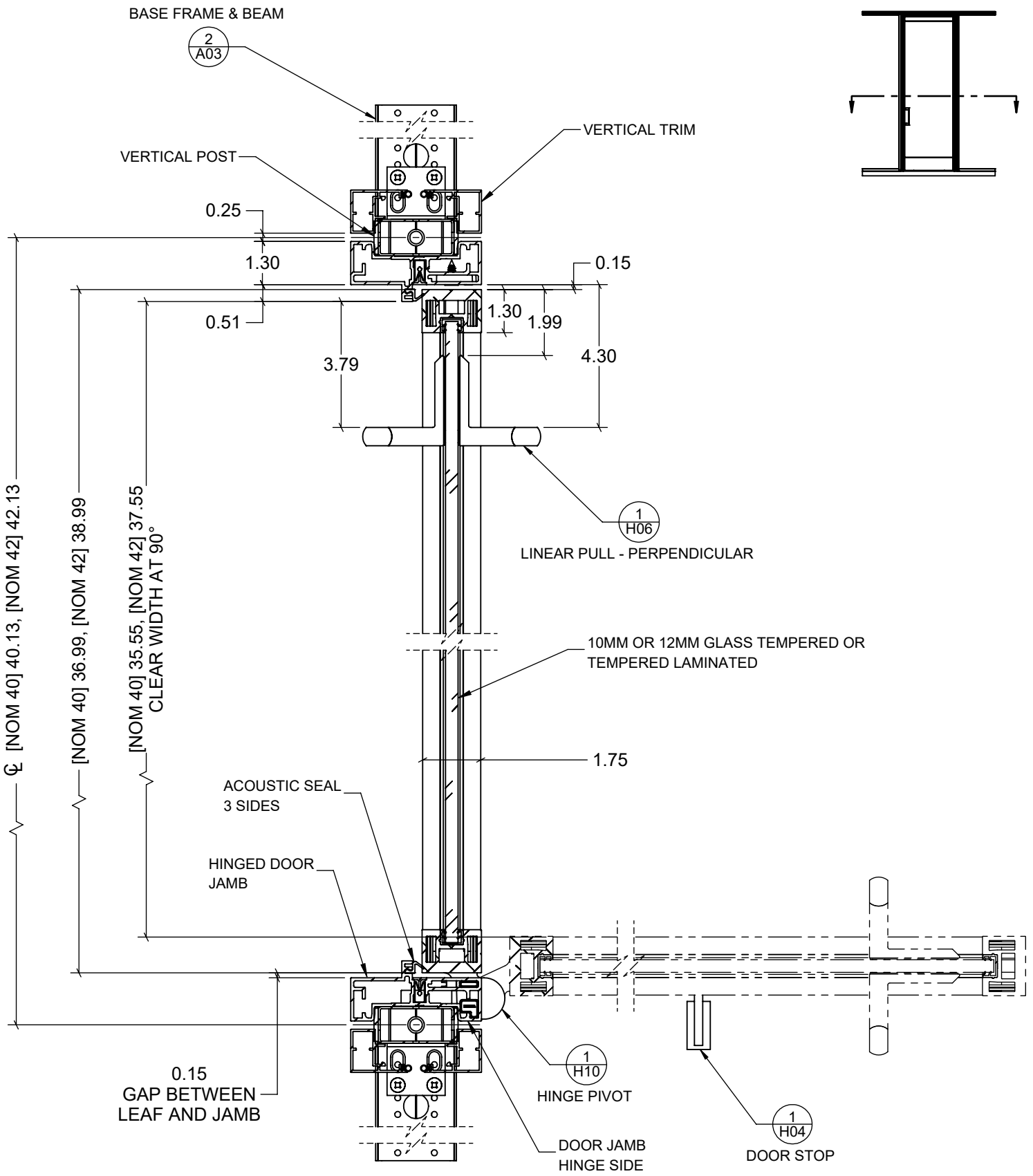


3/V GLASS PIVOT DOOR LEAF SINGLE ADA BASE  
C08 WITH JAMB AND LINEAR PULL - PERPENDICULAR

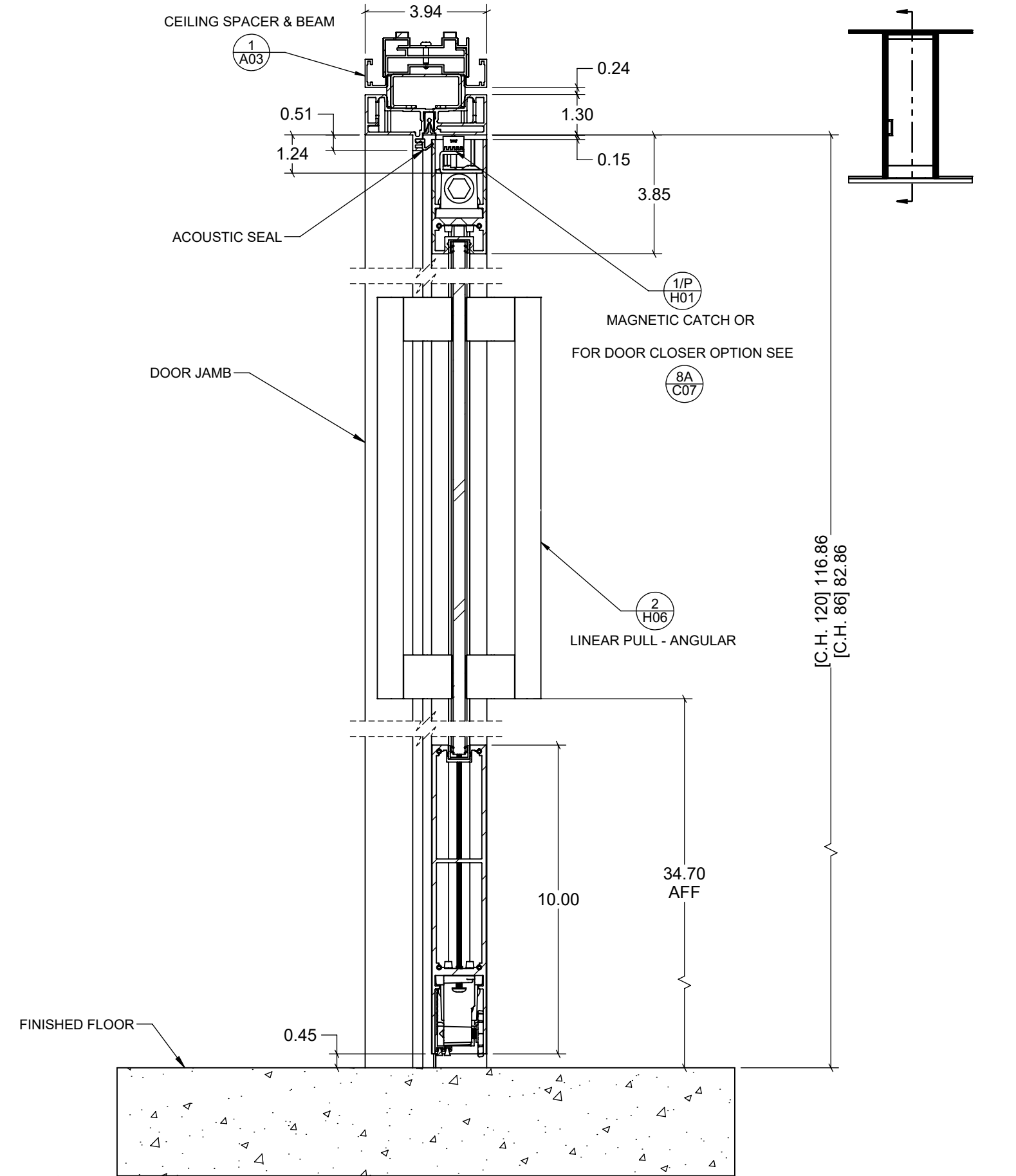
OPTOS LP - SWING DOOR DETAIL

MODIFIED SEPTEMBER 29, 2024

UNIT INCH SCALE 1:4



3/H GLASS PIVOT DOOR LEAF SINGLE ADA BASE  
C08 WITH JAMB AND LINEAR PULL - PERPENDICULAR



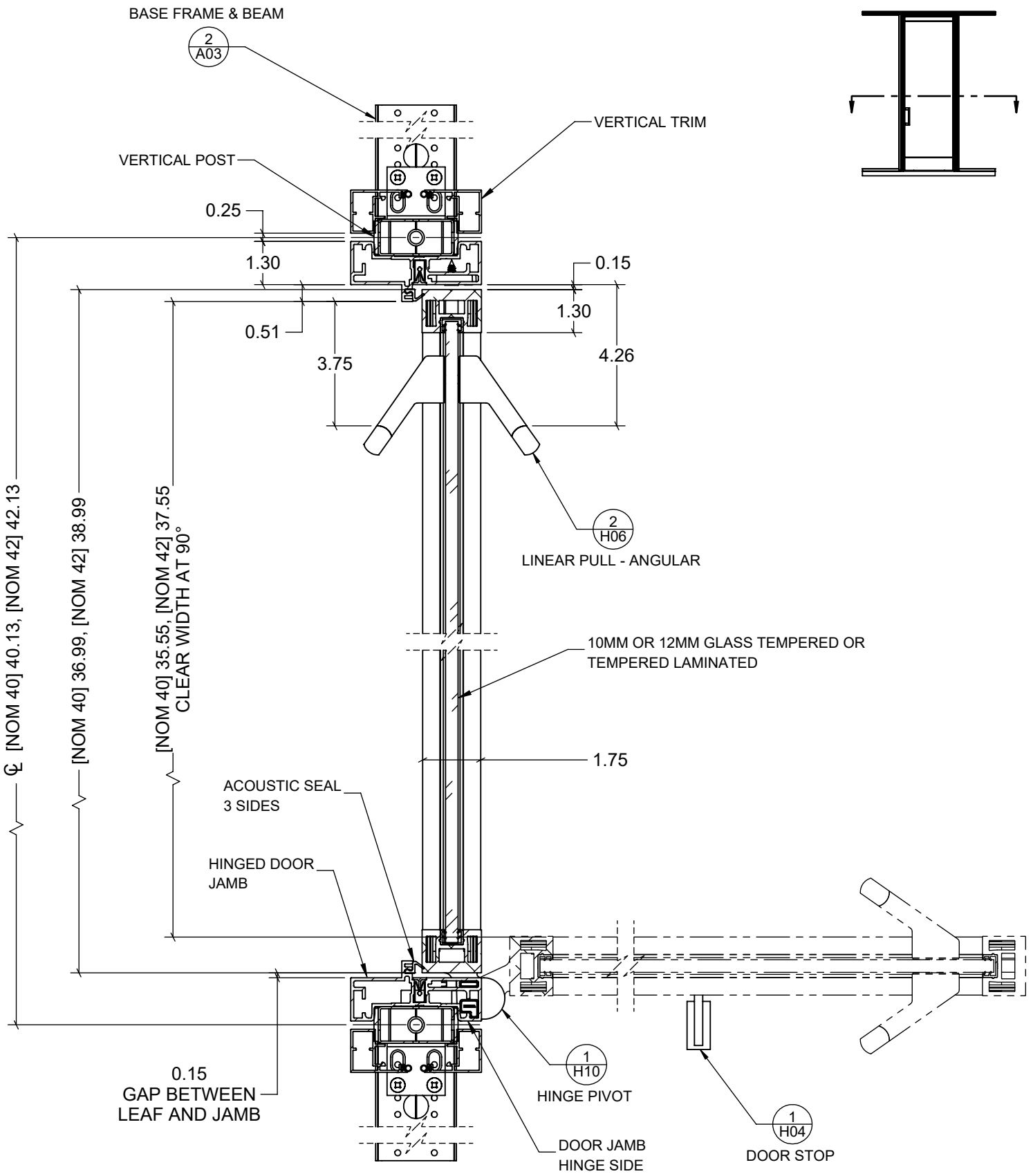
4/V GLASS PIVOT DOOR LEAF SINGLE ADA BASE  
C08 WITH JAMB AND LINEAR PULL - ANGULAR

OPTOS LP - SWING DOOR DETAIL

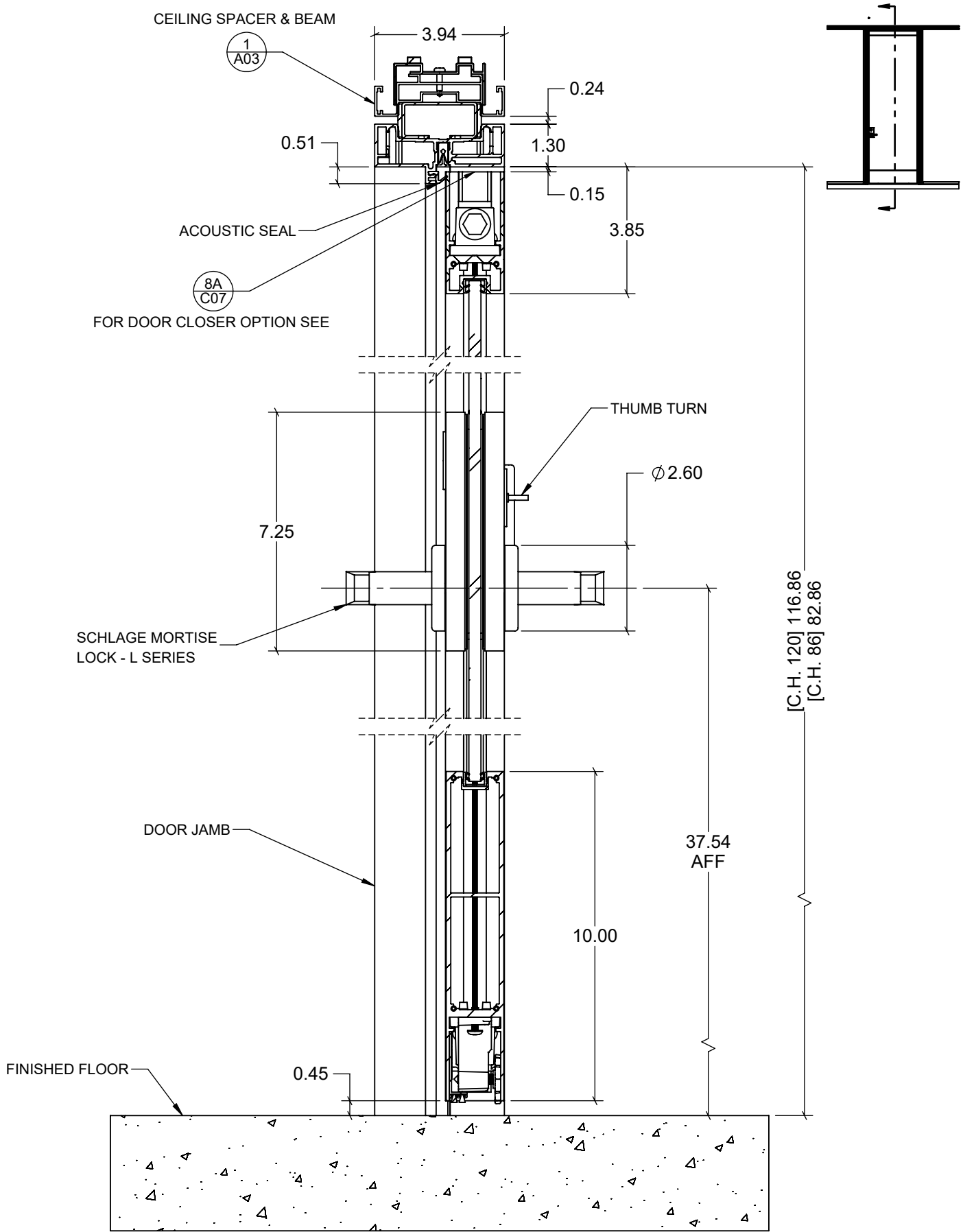
MODIFIED SEPTEMBER 29, 2024

UNIT INCH

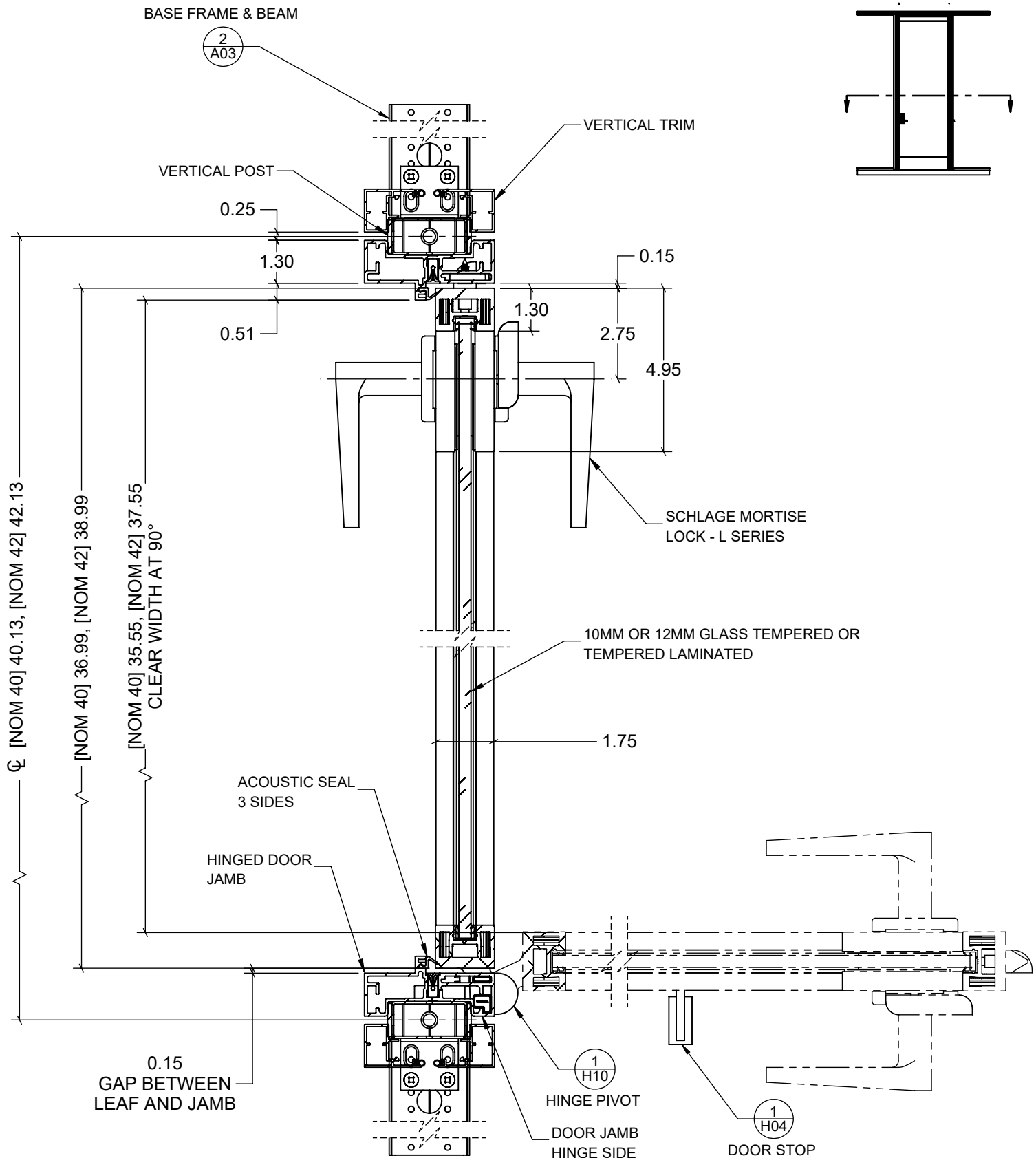
SCALE 1:4



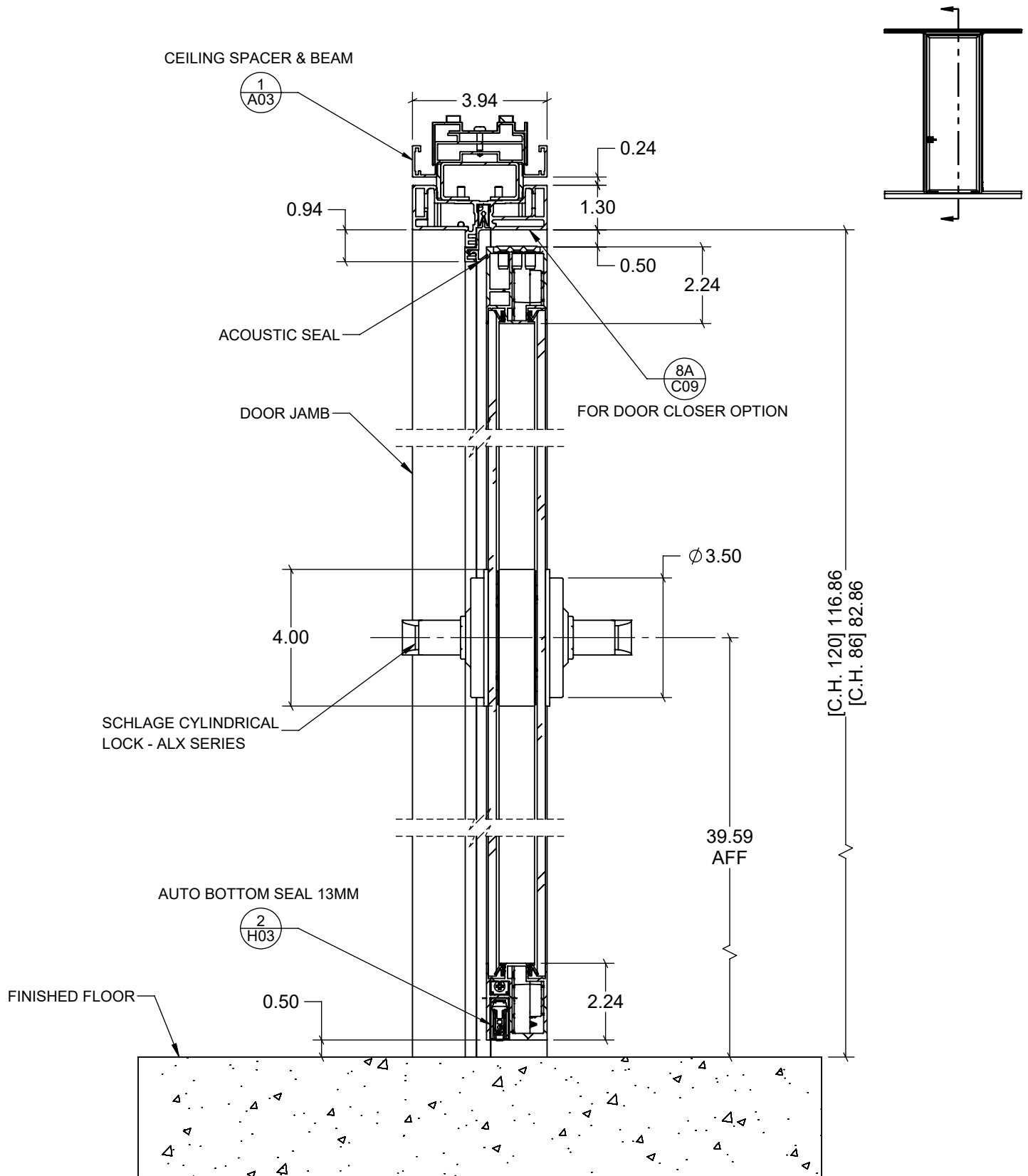
4/H GLASS PIVOT DOOR LEAF SINGLE ADA BASE  
 C08 WITH JAMB AND LINEAR PULL - ANGULAR



5/V GLASS PIVOT DOOR LEAF SINGLE ADA BASE  
C08 WITH JAMB AND MORTISE LOCK L SERIES



5/H GLASS PIVOT DOOR LEAF SINGLE ADA BASE  
 C08 WITH JAMB AND MORTISE LOCK L SERIES



1/V  
C09

FRAMED 45MM DOUBLE GLAZED PIVOT DOOR LEAF SINGLE  
WITH JAMB AND CYLINDRICAL LOCK ALX

OPTOS LP - SWING DOOR DETAIL

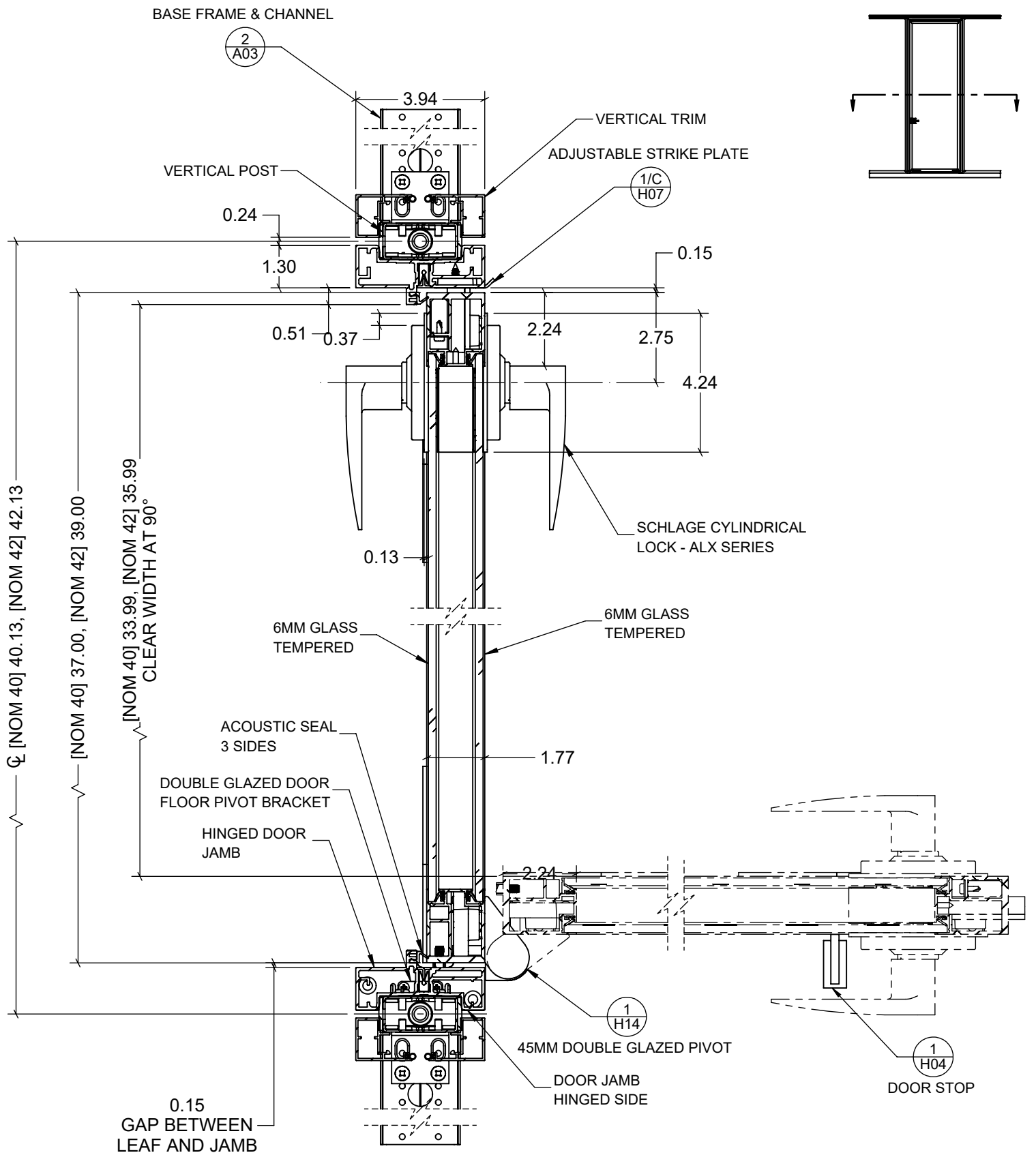
MODIFIED JULY 10, 2025

UNIT INCH SCALE 1:4

THIS DRAWING IS THE PROPERTY OF TEKNION LIMITED AND IS SUBJECT TO RETURN UPON DEMAND. IT MUST NOT BE SUBMITTED TO ANY OUTSIDE PARTIES FOR EXAMINATION WITHOUT TEKNION CONSENT. THIS DRAWING MUST NOT BE SCALED OR USED FOR CONSTRUCTION PURPOSES

Publish Date: Feb 23 2026

teknion



1/H
C09
**FRAMED 45MM DOUBLE GLAZED PIVOT DOOR LEAF SINGLE**  
**WITH JAMB AND CYLINDRICAL LOCK ALX**

**OPTOS LP - SWING DOOR DETAIL**

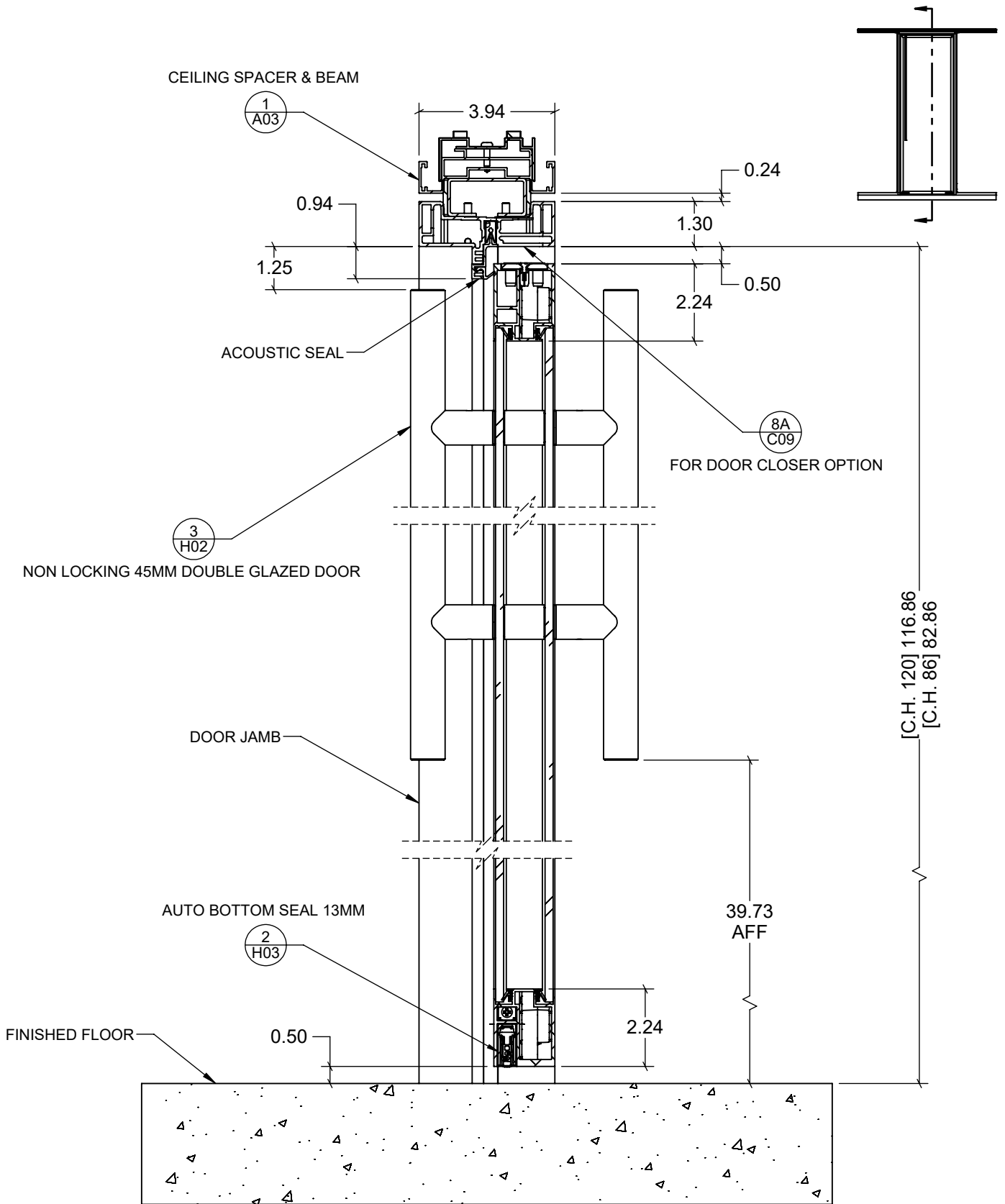
MODIFIED JULY 10, 2025

UNIT INCH SCALE 1:4

THIS DRAWING IS THE PROPERTY OF TEKNION LIMITED AND IS SUBJECT TO RETURN UPON DEMAND. IT MUST NOT BE SUBMITTED TO ANY OUTSIDE PARTIES FOR EXAMINATION WITHOUT TEKNION CONSENT. THIS DRAWING MUST NOT BE SCALED OR USED FOR CONSTRUCTION PURPOSES

Publish Date: Feb 23 2026





2/V  
C09

FRAMED 45MM DOUBLE GLAZED PIVOT DOOR LEAF SINGLE  
WITH JAMB AND CEILING PULL - NON LOCKING

OPTOS LP - SWING DOOR DETAIL

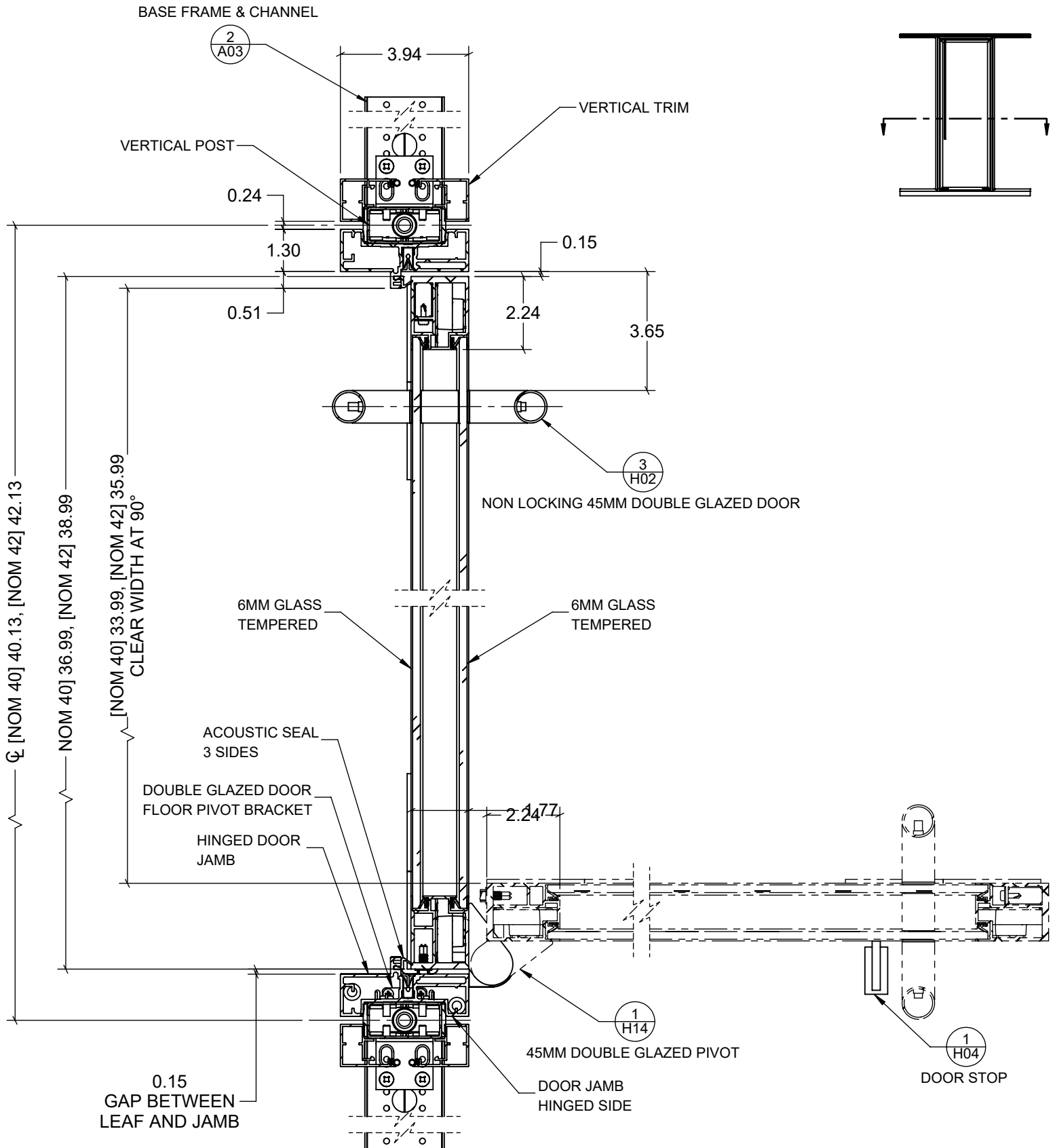
MODIFIED JULY 10, 2025

UNIT INCH SCALE 1:4

THIS DRAWING IS THE PROPERTY OF TEKNION LIMITED AND IS SUBJECT TO RETURN UPON DEMAND. IT MUST NOT BE SUBMITTED TO ANY OUTSIDE PARTIES FOR EXAMINATION WITHOUT TEKNION CONSENT. THIS DRAWING MUST NOT BE SCALED OR USED FOR CONSTRUCTION PURPOSES

Publish Date: Feb 23 2026





2/H FRAMED 45MM DOUBLE GLAZED PIVOT DOOR LEAF SINGLE  
 C09 WITH JAMB AND CEILING PULL - NON LOCKING

OPTOS LP - SWING DOOR DETAIL

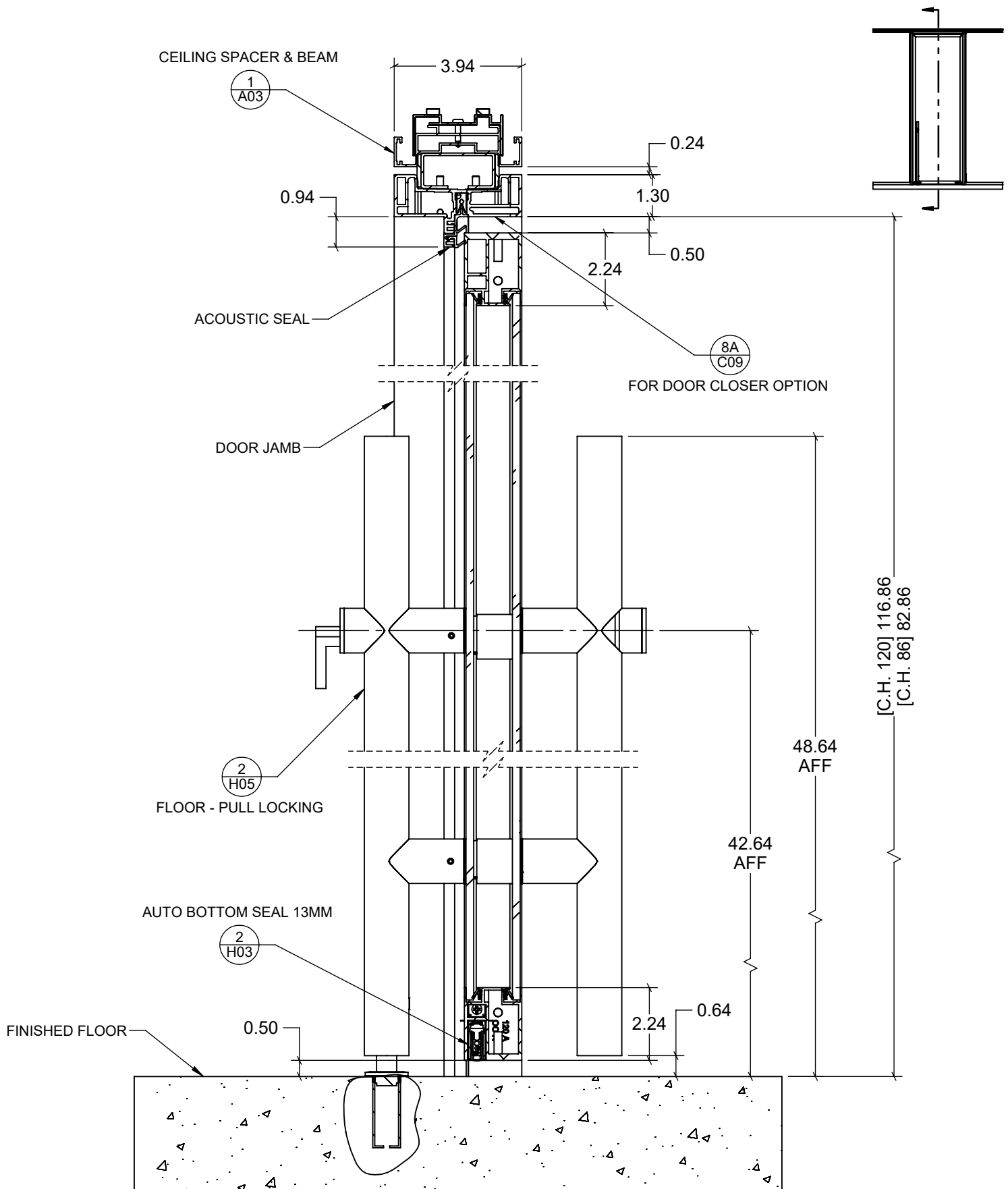
MODIFIED JULY 10, 2025

UNIT INCH SCALE 1:4

THIS DRAWING IS THE PROPERTY OF TEKNION LIMITED AND IS SUBJECT TO RETURN UPON DEMAND. IT MUST NOT BE SUBMITTED TO ANY OUTSIDE PARTIES FOR EXAMINATION WITHOUT TEKNION CONSENT. THIS DRAWING MUST NOT BE SCALED OR USED FOR CONSTRUCTION PURPOSES

Publish Date: Feb 23 2026

teknion

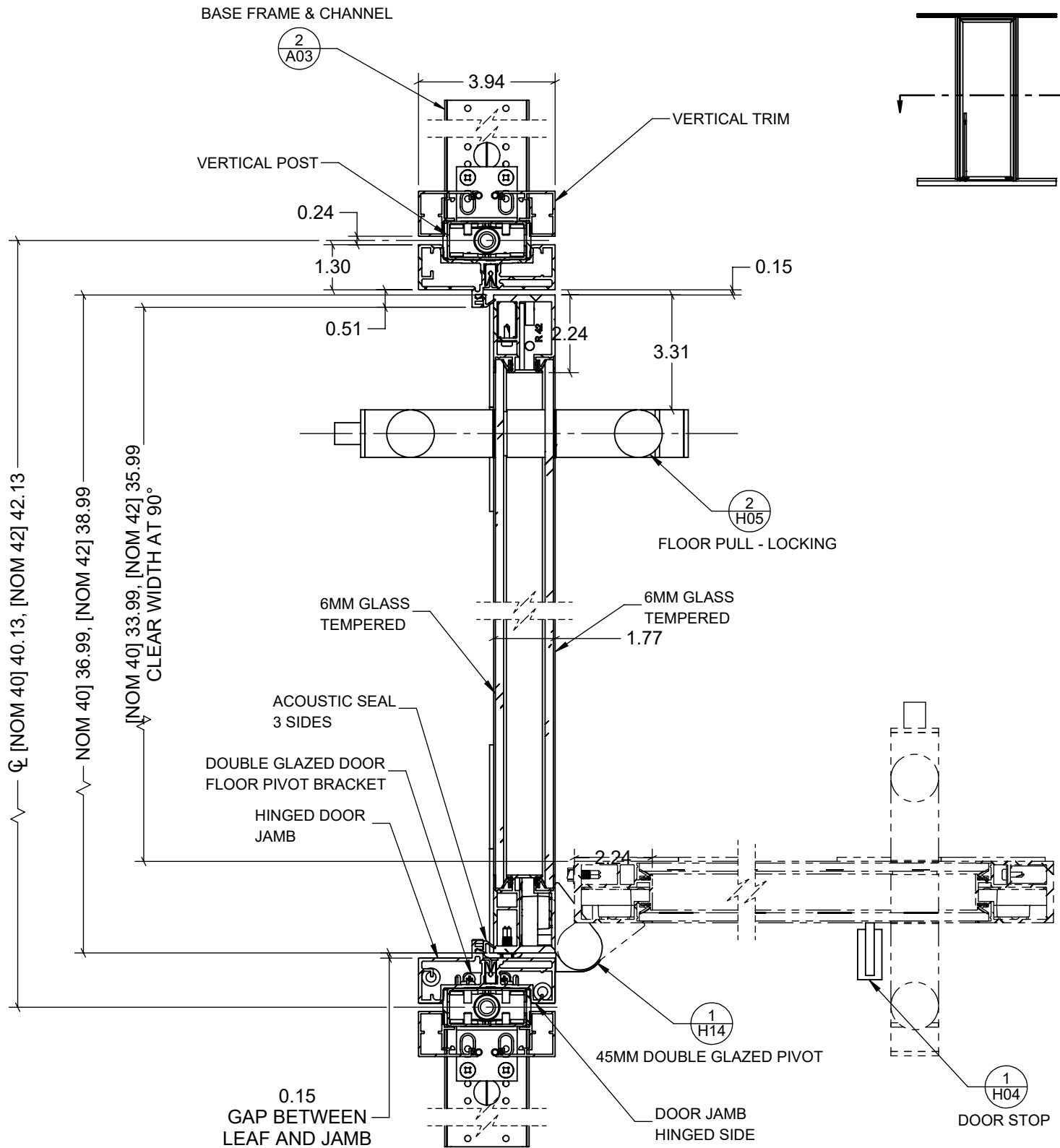


3/V FRAMED 45MM DOUBLE GLAZED PIVOT DOOR LEAF SINGLE  
 C09 WITH JAMB AND FLOOR PULL - LOCKING

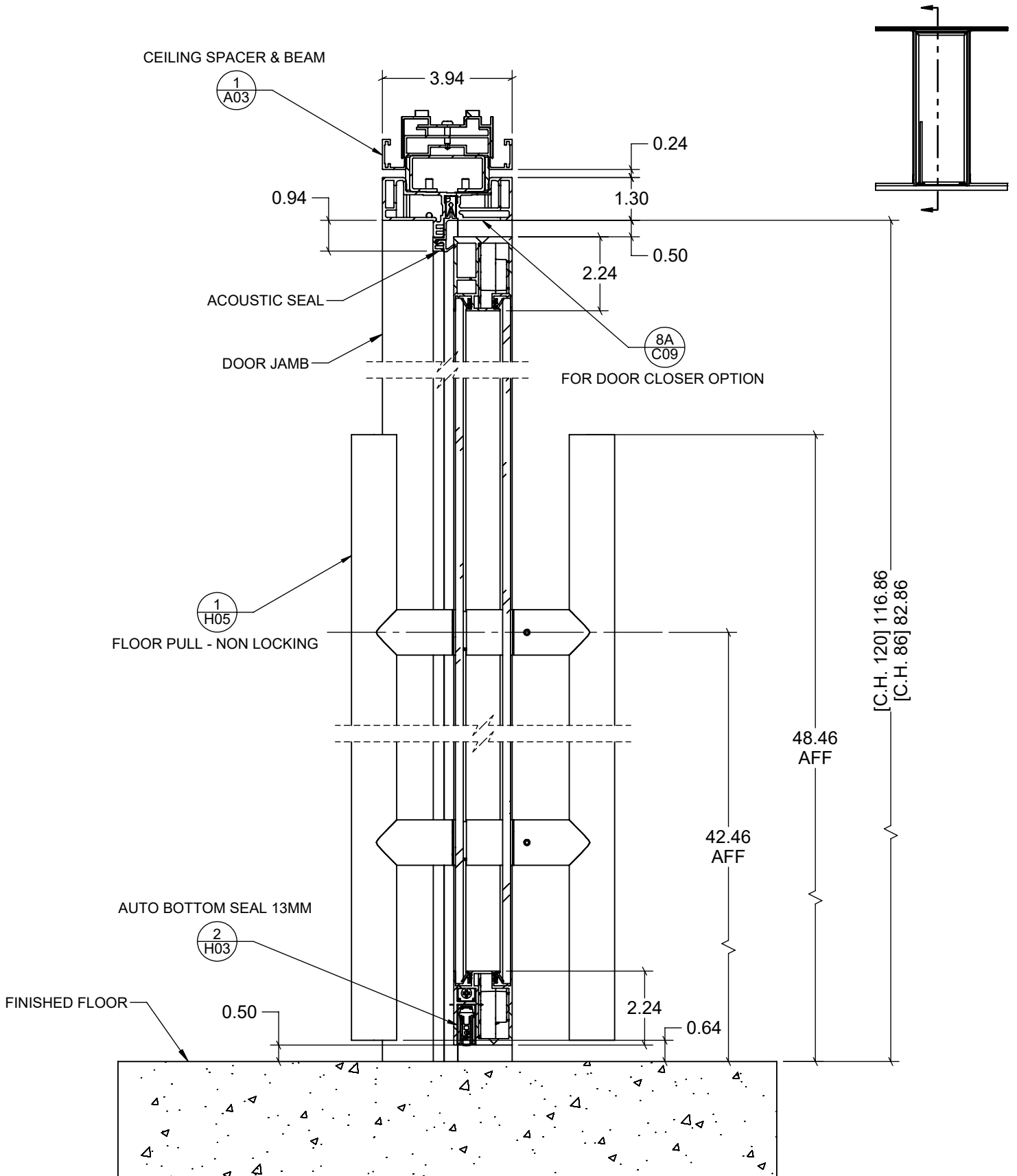
OPTOS LP - SWING DOOR DETAIL

MODIFIED JULY 10, 2025

UNIT INCH SCALE 1:4



3/H FRAMED 45MM DOUBLE GLAZED PIVOT DOOR LEAF SINGLE  
 C09 WITH JAMB AND FLOOR PULL - LOCKING



4/V FRAMED 45MM DOUBLE GLAZED PIVOT DOOR LEAF SINGLE  
 C09 WITH JAMB AND FLOOR PULL - NON LOCKING

OPTOS LP - SWING DOOR DETAIL

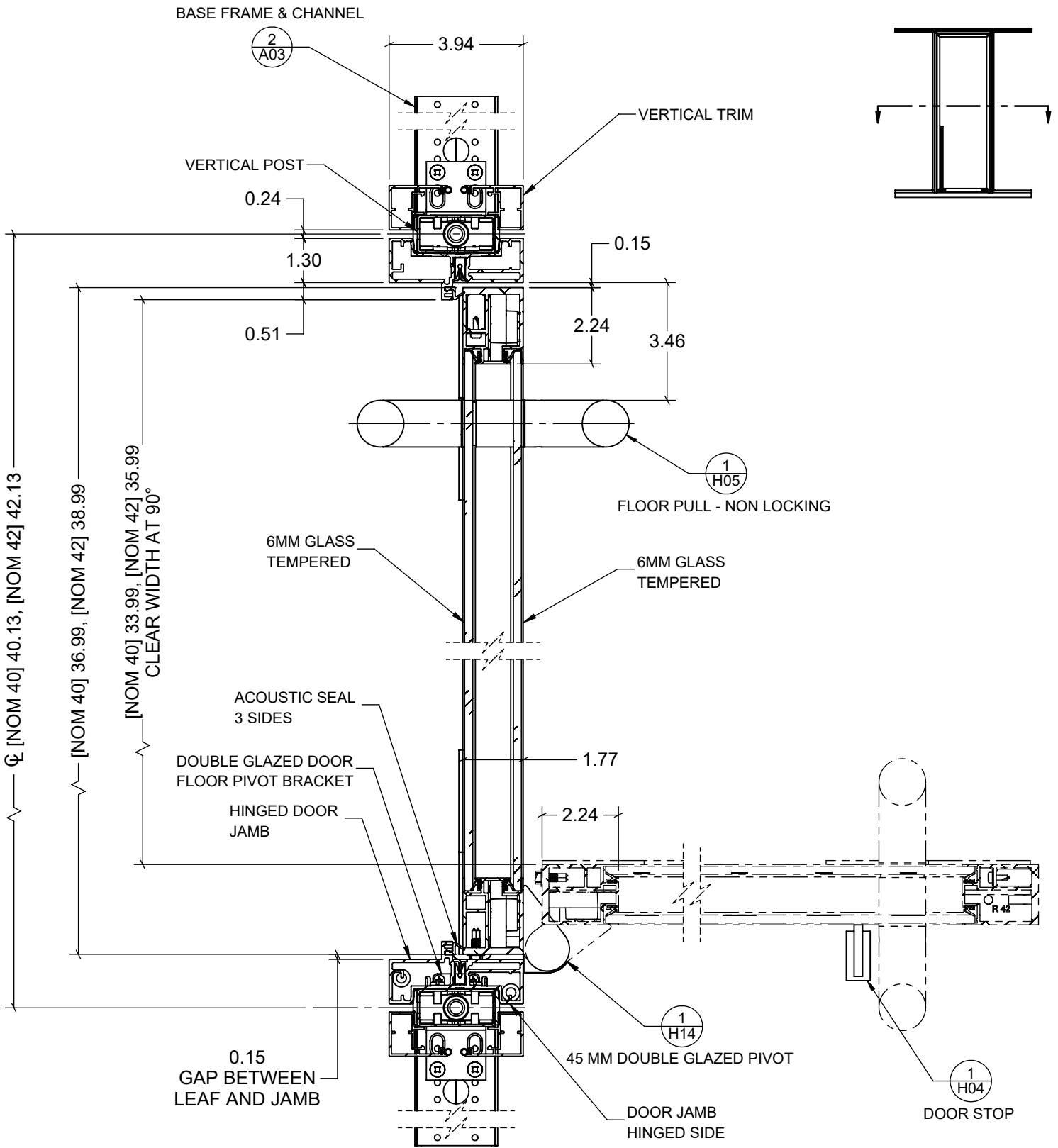
MODIFIED JULY 10, 2025

UNIT INCH SCALE 1:4

THIS DRAWING IS THE PROPERTY OF TEKNION LIMITED AND IS SUBJECT TO RETURN UPON DEMAND. IT MUST NOT BE SUBMITTED TO ANY OUTSIDE PARTIES FOR EXAMINATION WITHOUT TEKNION CONSENT. THIS DRAWING MUST NOT BE SCALED OR USED FOR CONSTRUCTION PURPOSES

Publish Date: Feb 23 2026

teknion



4/H FRAMED 45MM DOUBLE GLAZED PIVOT DOOR LEAF SINGLE  
 C09 WITH JAMB AND FLOOR PULL - NON LOCKING

OPTOS LP - SWING DOOR DETAIL

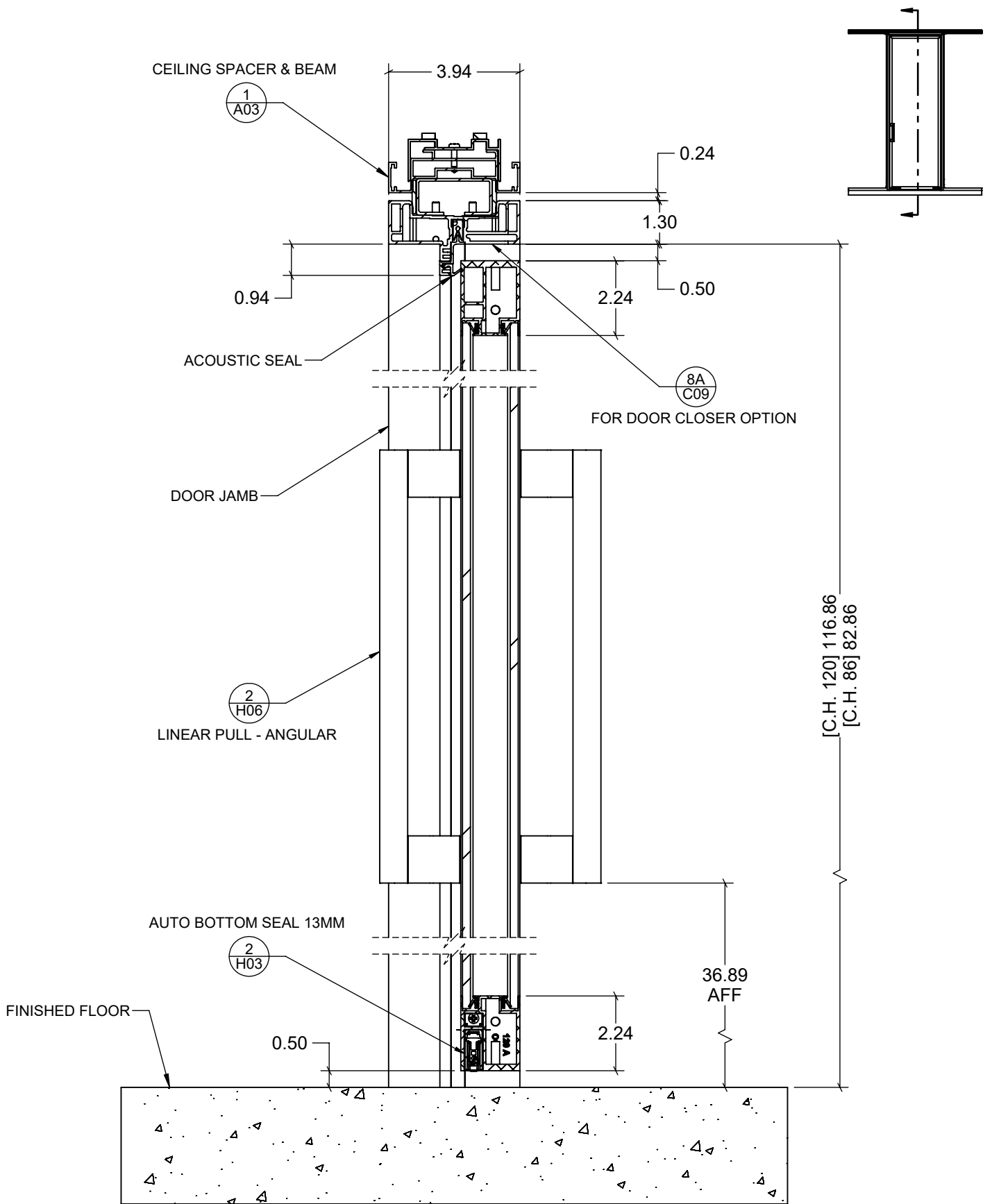
MODIFIED JULY 10, 2025

UNIT INCH SCALE 1:4

THIS DRAWING IS THE PROPERTY OF TEKNION LIMITED AND IS SUBJECT TO RETURN UPON DEMAND. IT MUST NOT BE SUBMITTED TO ANY OUTSIDE PARTIES FOR EXAMINATION WITHOUT TEKNION CONSENT. THIS DRAWING MUST NOT BE SCALED OR USED FOR CONSTRUCTION PURPOSES

Publish Date: Feb 23 2026

teknion



6/V FRAMED 45MM DOUBLE GLAZED PIVOT DOOR LEAF SINGLE  
C09 WITH JAMB AND LINEAR PULL - ANGULAR

OPTOS LP - SWING DOOR DETAIL

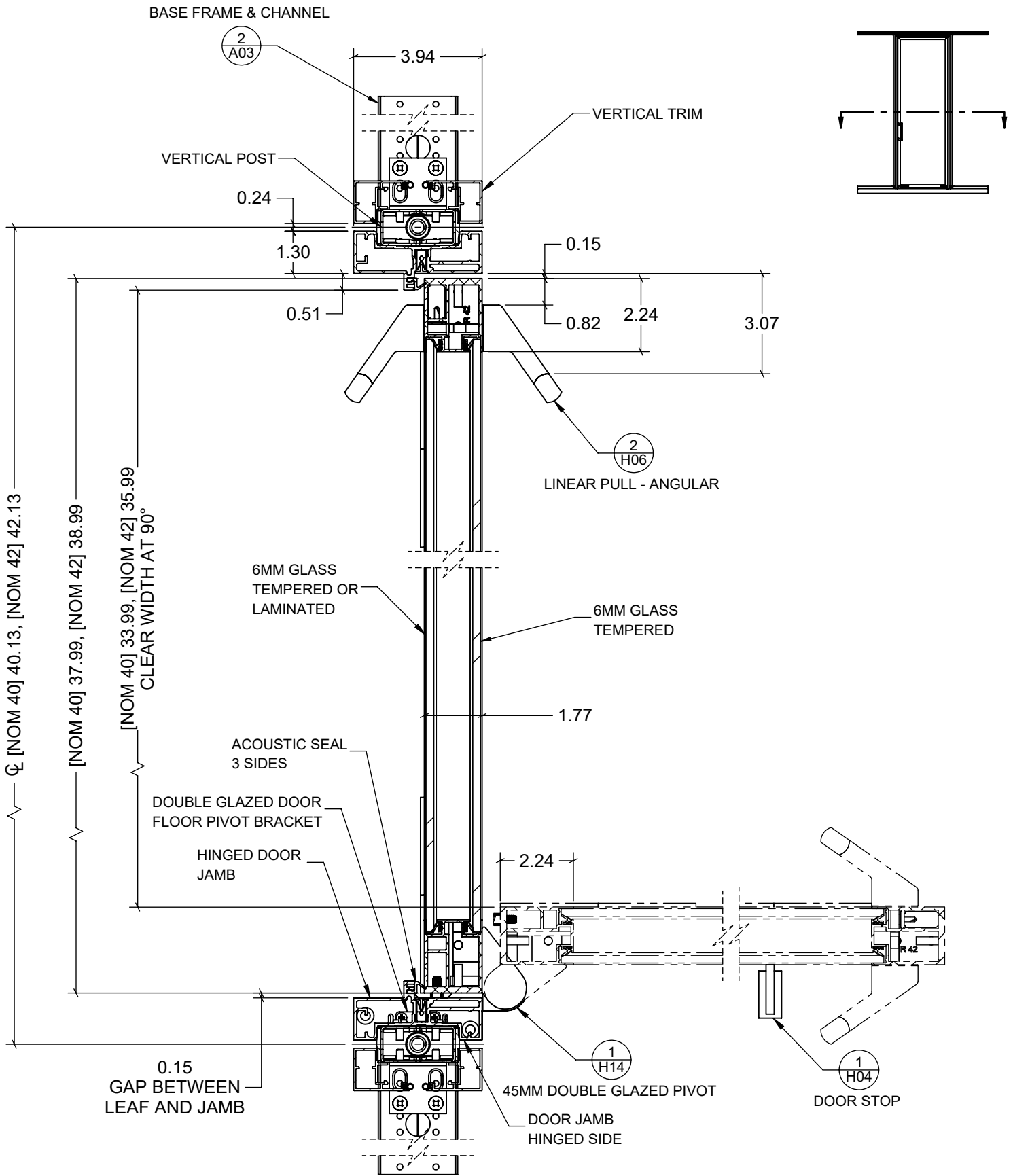
MODIFIED JULY 10, 2025

UNIT INCH SCALE 1:4

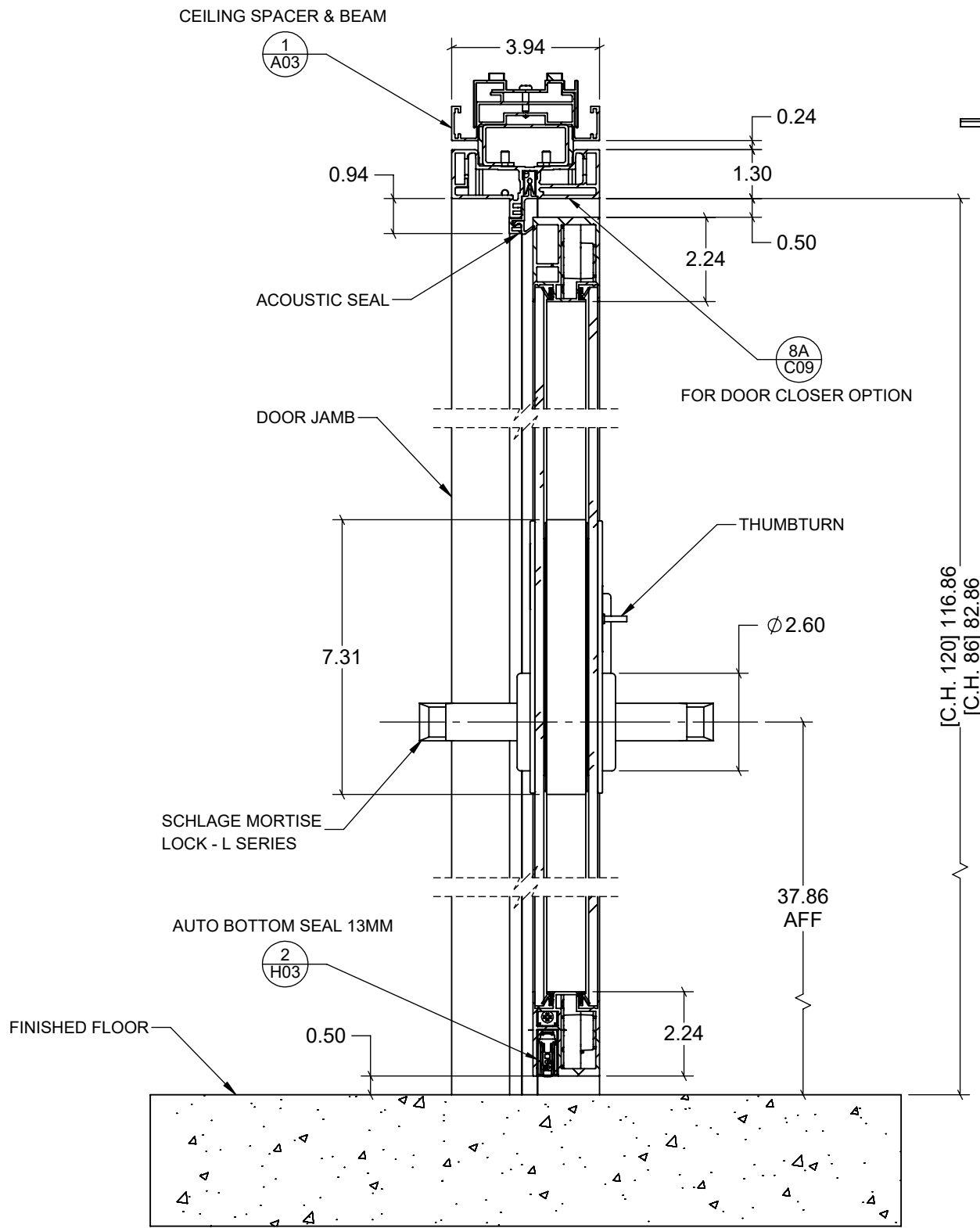
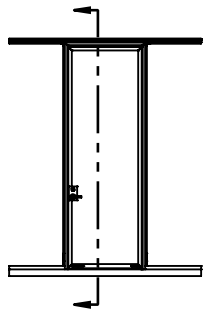
THIS DRAWING IS THE PROPERTY OF TEKNION LIMITED AND IS SUBJECT TO RETURN UPON DEMAND. IT MUST NOT BE SUBMITTED TO ANY OUTSIDE PARTIES FOR EXAMINATION WITHOUT TEKNION CONSENT. THIS DRAWING MUST NOT BE SCALED OR USED FOR CONSTRUCTION PURPOSES

Publish Date: Feb 23 2026

teknion



6/H FRAMED 45MM DOUBLE GLAZED PIVOT DOOR LEAF SINGLE  
 C09 WITH JAMB AND LINEAR PULL - ANGULAR



7/V  
C09

FRAMED 45MM DOUBLE GLAZED PIVOT DOOR LEAF SINGLE  
WITH JAMB AND MORTISE LOCK L SERIES

OPTOS LP - SWING DOOR DETAIL

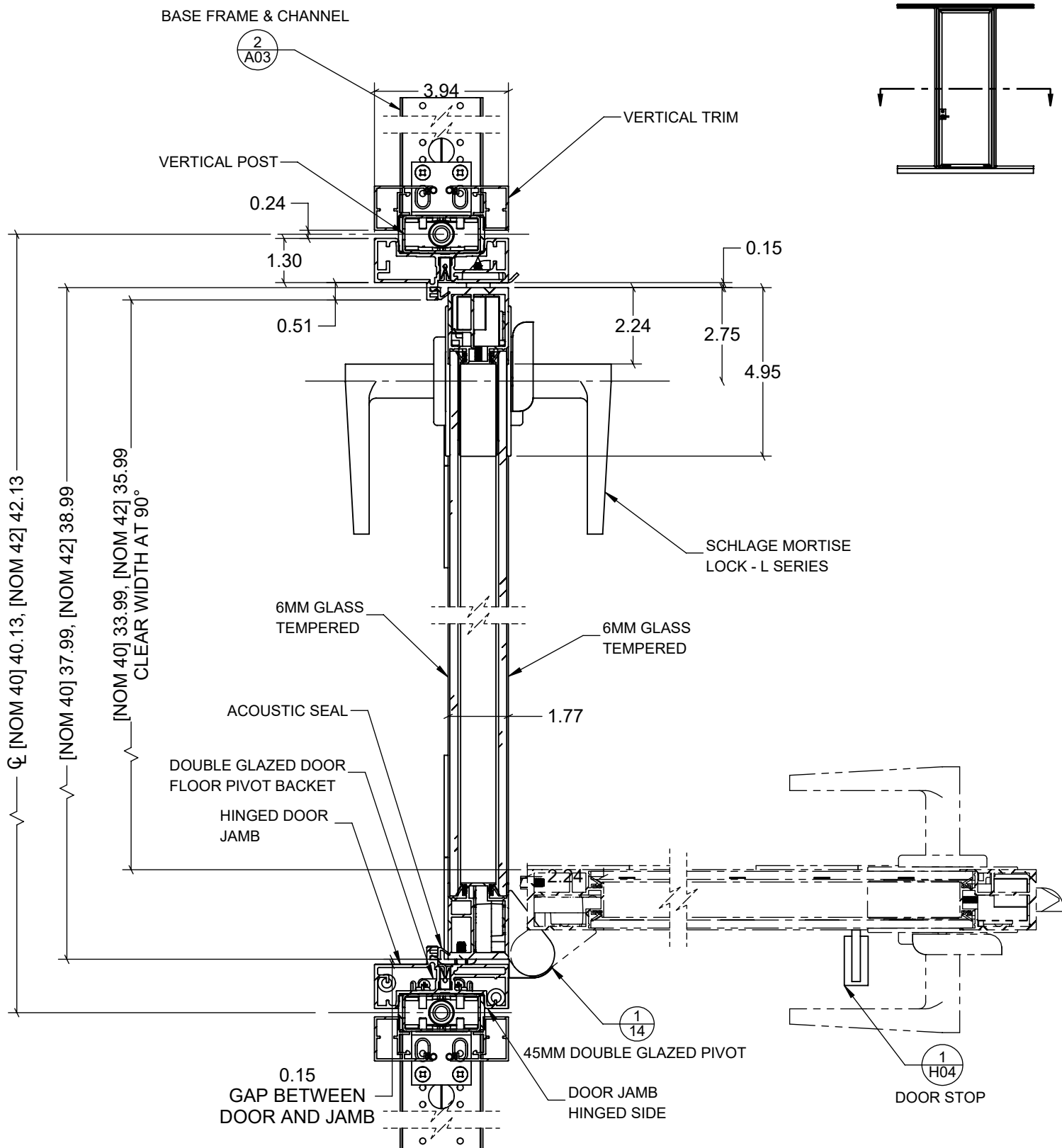
MODIFIED JULY 10, 2025

UNIT INCH SCALE 1:4

THIS DRAWING IS THE PROPERTY OF TEKNION LIMITED AND IS SUBJECT TO RETURN UPON DEMAND. IT MUST NOT BE SUBMITTED TO ANY OUTSIDE PARTIES FOR EXAMINATION WITHOUT TEKNION CONSENT. THIS DRAWING MUST NOT BE SCALED OR USED FOR CONSTRUCTION PURPOSES

Publish Date: Feb 23 2026





7/H FRAMED 45MM DOUBLE GLAZED PIVOT DOOR LEAF SINGLE  
C09 WITH JAMB AND MORTISE LOCK L SERIES

OPTOS LP - SWING DOOR DETAIL

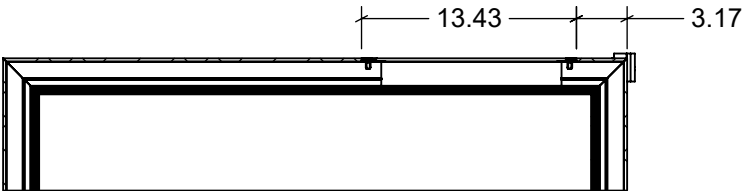
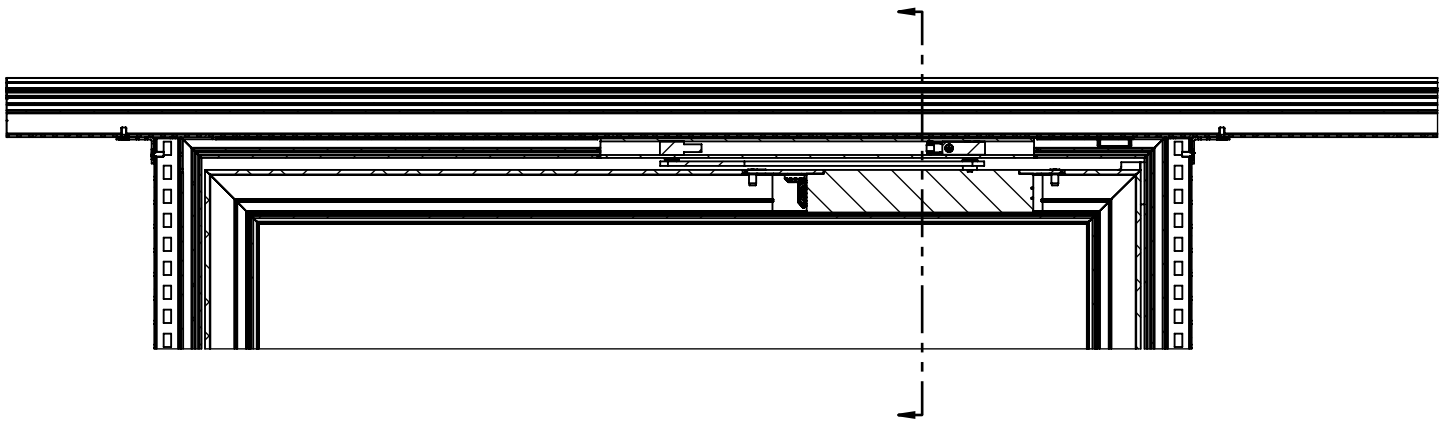
MODIFIED JULY 10, 2025

UNIT INCH SCALE 1:4

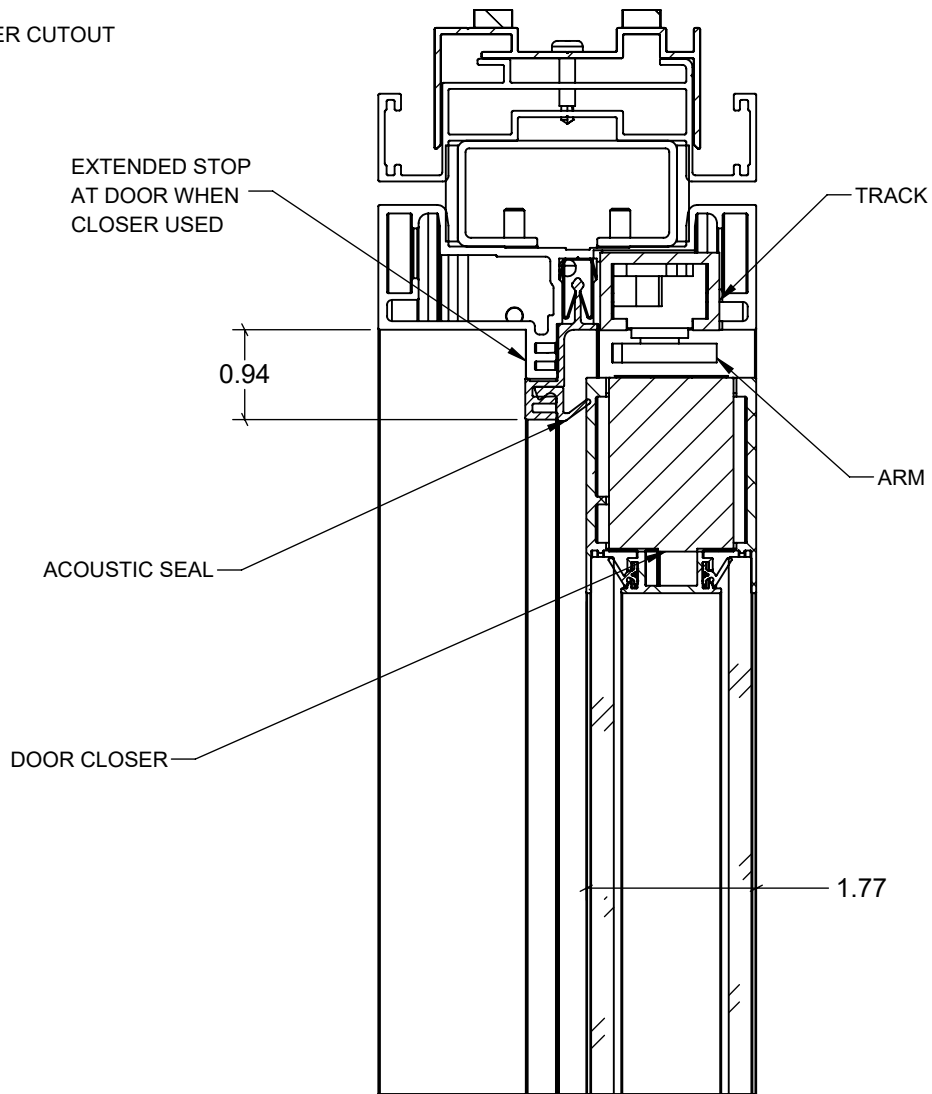
THIS DRAWING IS THE PROPERTY OF TEKNION LIMITED AND IS SUBJECT TO RETURN UPON DEMAND. IT MUST NOT BE SUBMITTED TO ANY OUTSIDE PARTIES FOR EXAMINATION WITHOUT TEKNION CONSENT. THIS DRAWING MUST NOT BE SCALED OR USED FOR CONSTRUCTION PURPOSES

Publish Date: Feb 23 2026

teknion

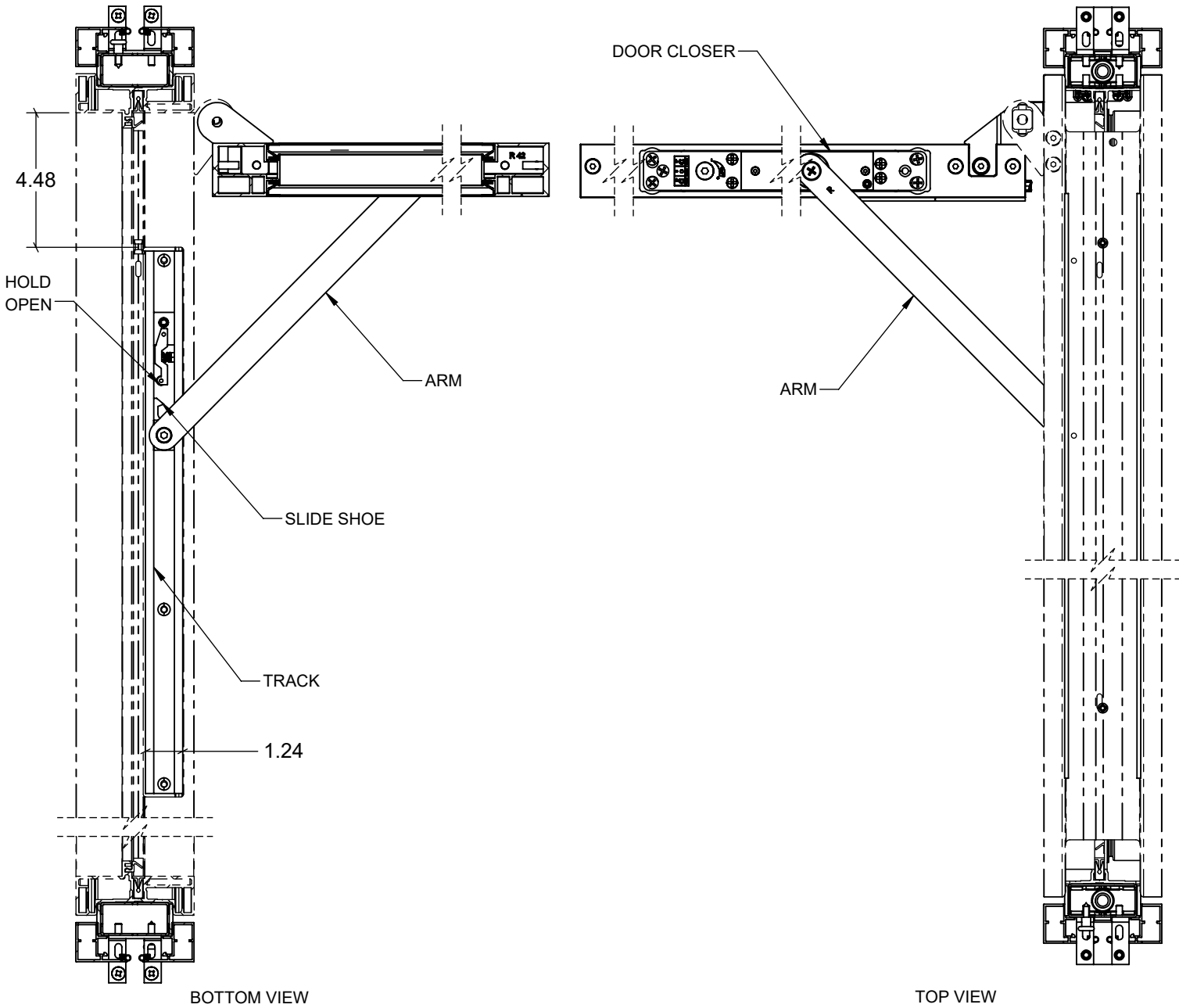
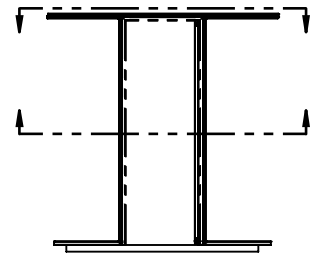


PIVOT DOOR CLOSER CUTOUT



8/A  
C09

FRAMED 45MM DOUBLE GLAZED PIVOT DOOR LEAF SINGLE  
DOUBLE GLAZED DOOR CLOSER OPTION AND JAMB DETAILS



**8/B** FRAMED 45MM DOUBLE GLAZED PIVOT DOOR LEAF SINGLE  
**C09** DOUBLE GLAZED DOOR CLOSER OPTION AND JAMB DETAILS

OPTOS LP - SWING DOOR DETAIL

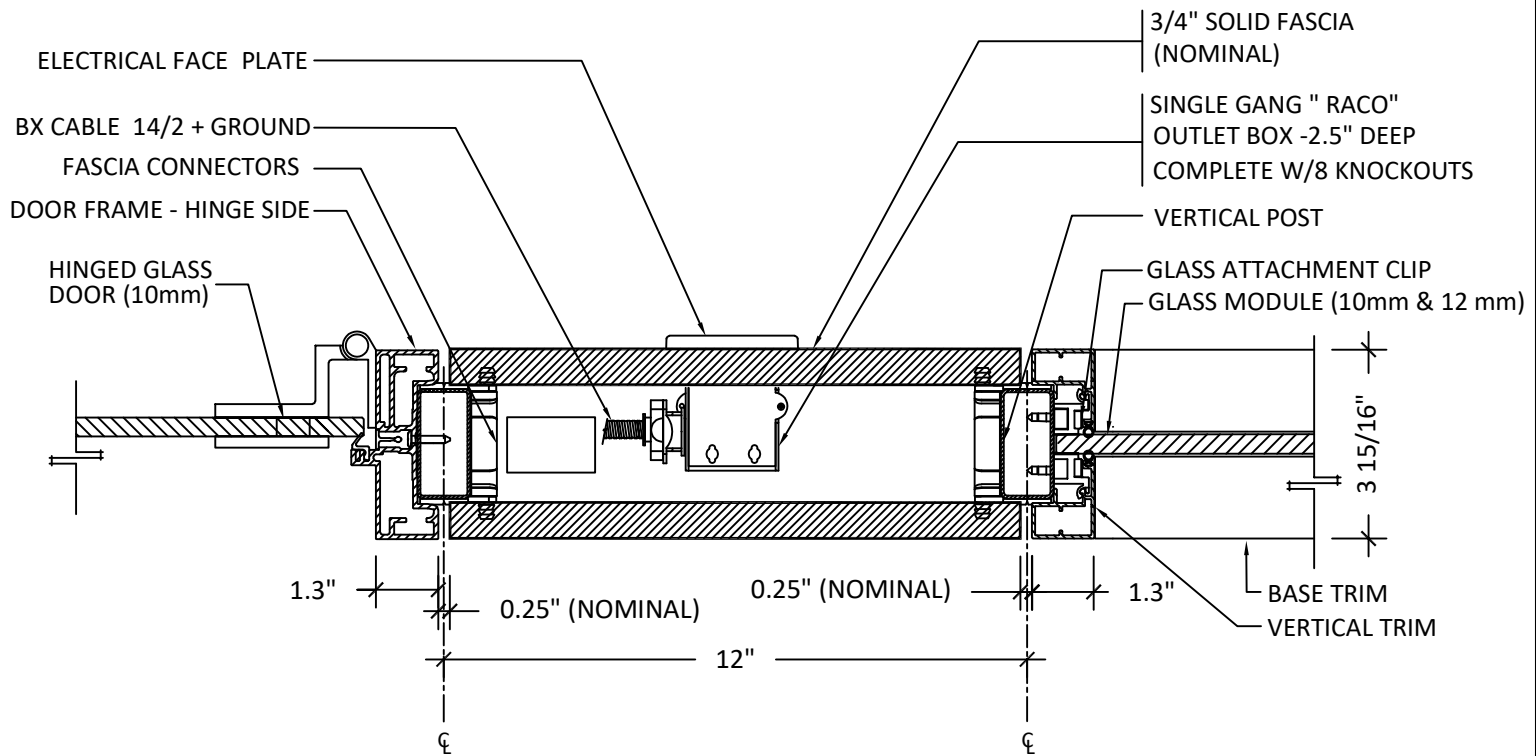
MODIFIED JULY 10, 2025

UNIT INCH SCALE 1:4

THIS DRAWING IS THE PROPERTY OF TEKNION LIMITED AND IS SUBJECT TO RETURN UPON DEMAND. IT MUST NOT BE SUBMITTED TO ANY OUTSIDE PARTIES FOR EXAMINATION WITHOUT TEKNION CONSENT. THIS DRAWING MUST NOT BE SCALED OR USED FOR CONSTRUCTION PURPOSES

Publish Date: Feb 23 2026





1 SECTION THROUGH ELECTRICAL SIDE PANEL AND RECEPTACLE MODULE

SECTION THROUGH ELECTRICAL SIDE PANEL

1'-0"=1'-0"

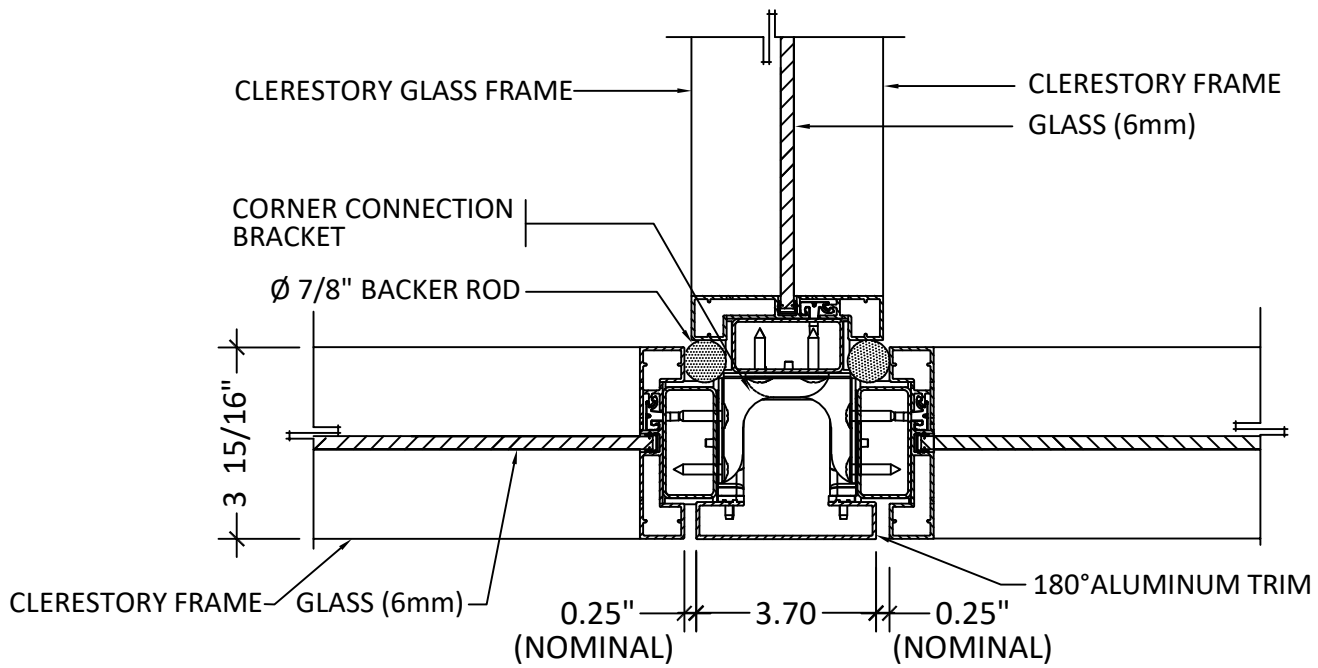
OPTOS DETAILING PACKAGE

JUNE 30, 2024

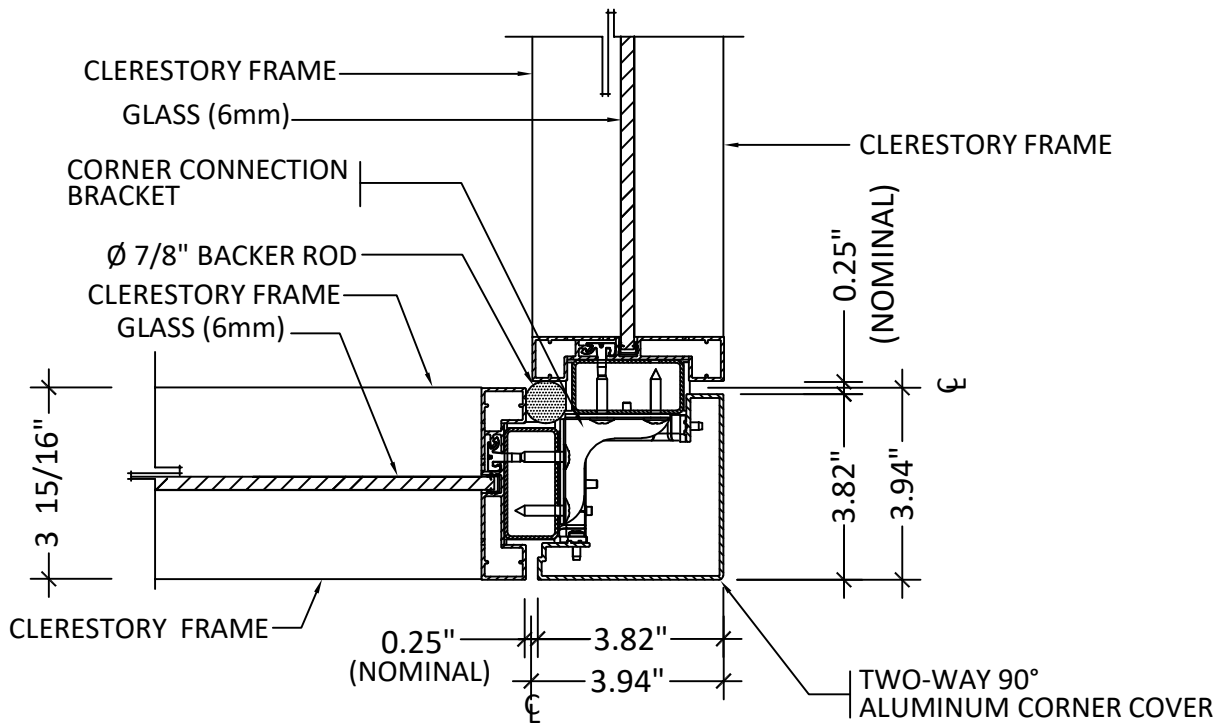
REV01

E01

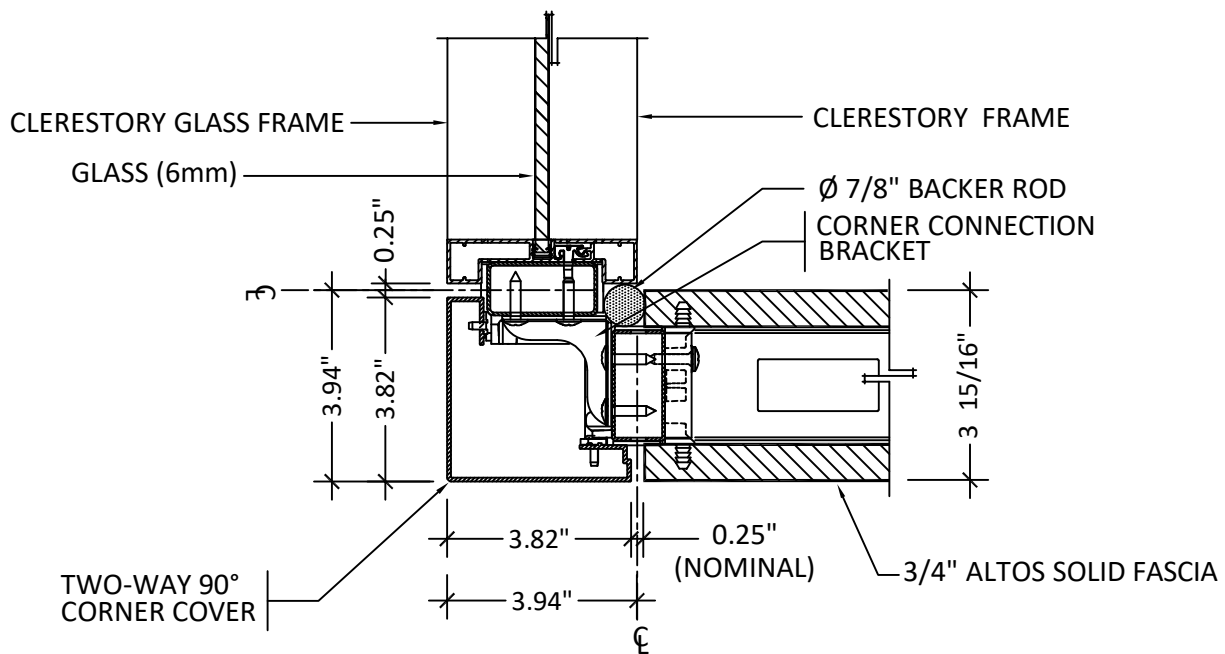
This drawing is the property of Teknion Limited and is subject to return upon demand. It must not be copied or reproduced in any manner, nor submitted to any outside parties for examination without Teknion consent. This drawing must not be scaled, or used for construction purposes..



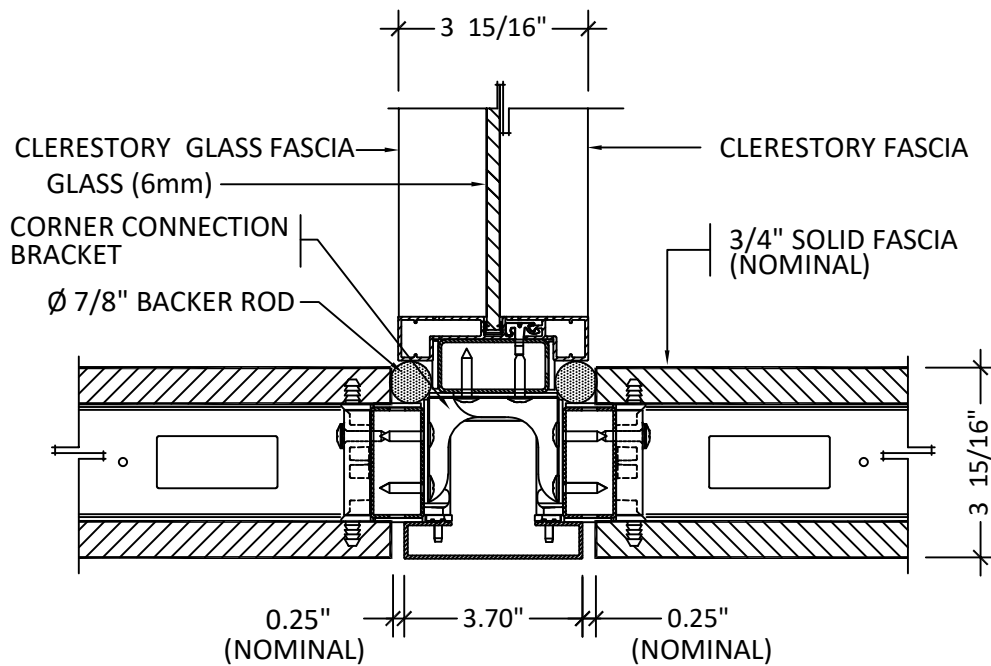
**1 SECTION THROUGH CLERESTORY THREE WAY CORNER CONNECTION**



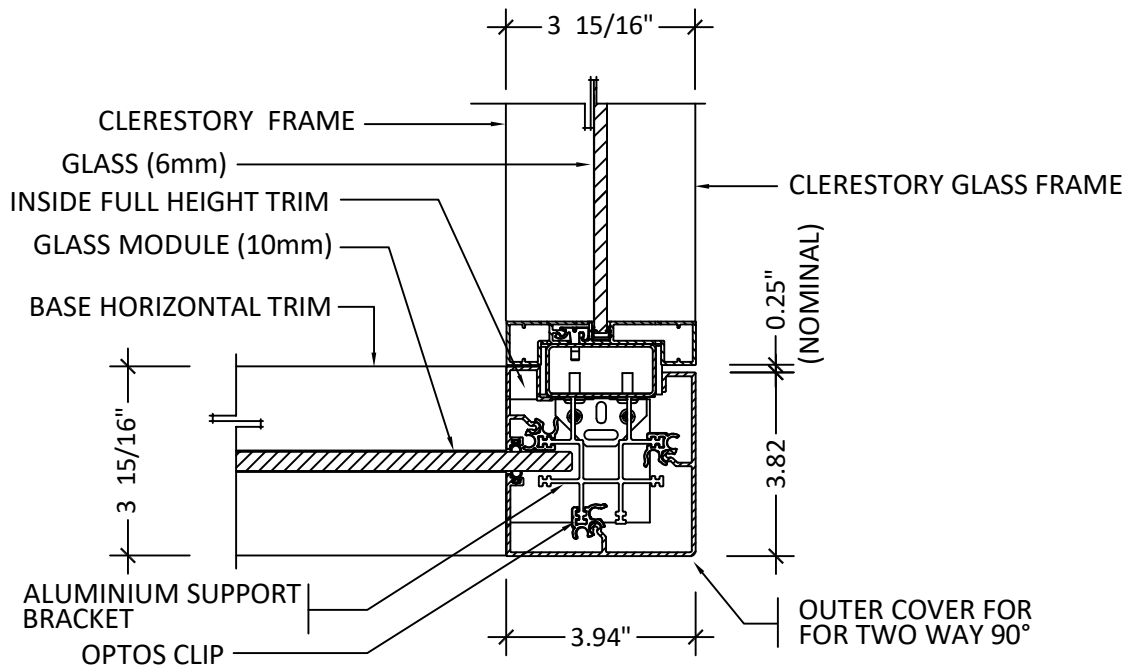
**2 SECTION THROUGH CLERESTORY TWO WAY 90° CORNER CONNECTION**



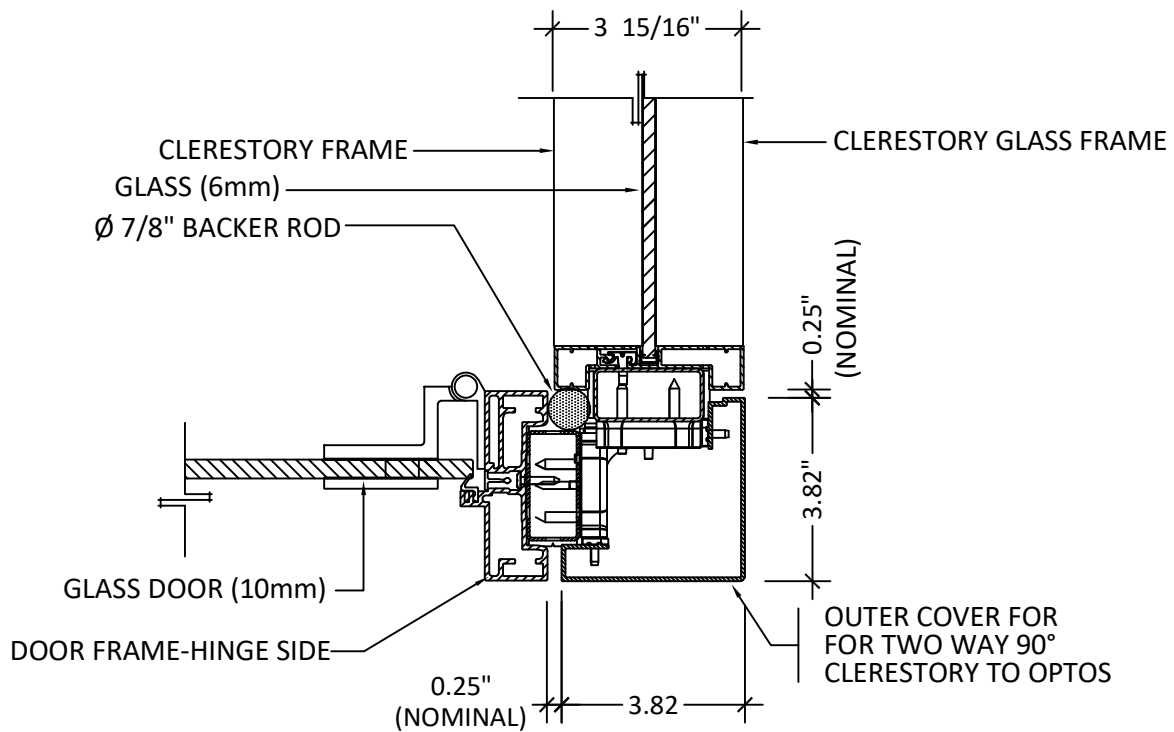
**1 SECTION THROUGH CLERESTORY TWO WAY 90° CORNER CONNECTION WITH ALTOS**



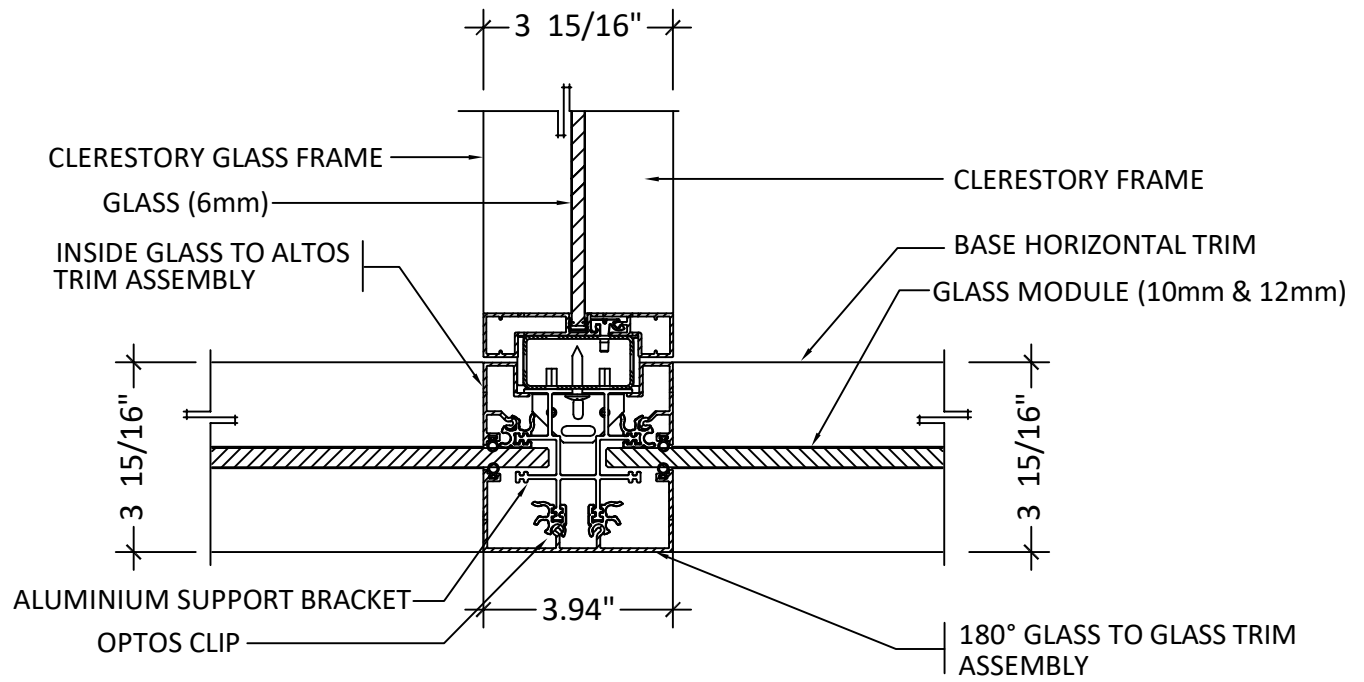
**2 SECTION THROUGH CLERESTORY THREE WAY 3 WAY CORNER CONNECTION WITH ALTOS**



**1** SECTION THROUGH CLERESTORY TWO WAY 90° CORNER CONNECTION WITH OPTOS DOOR



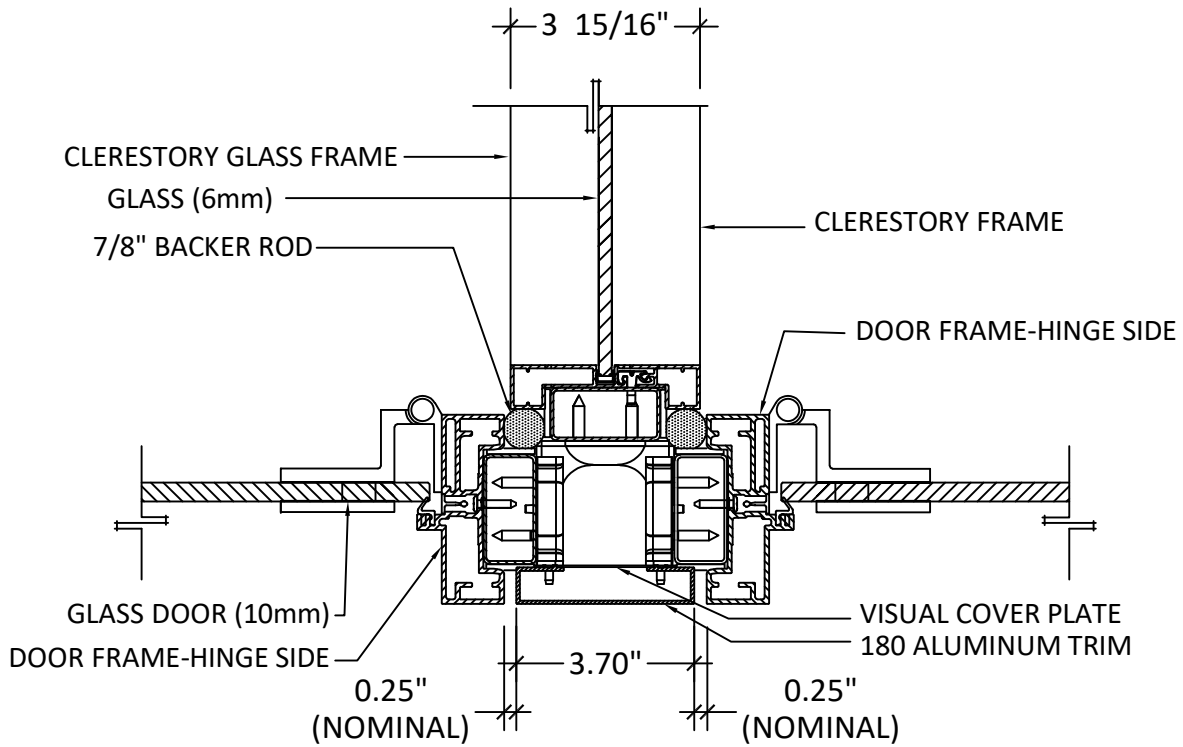
**2** SECTION THROUGH CLERESTORY TWO WAY 90° CORNER CONNECTION WITH OPTOS DOOR



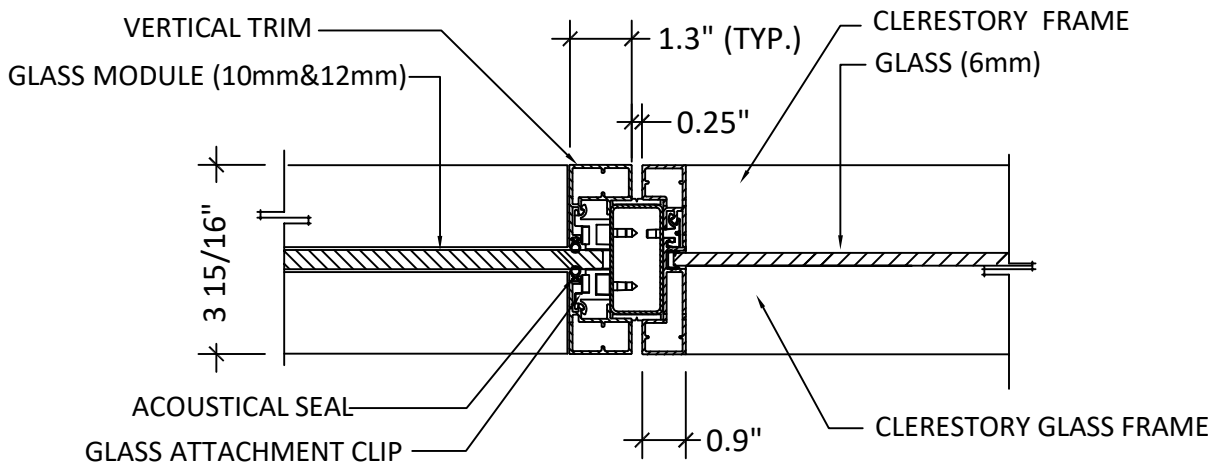
**1** SECTION THROUGH CLERESTORY THREE WAY CORNER CONNECTION WITH OPTOS



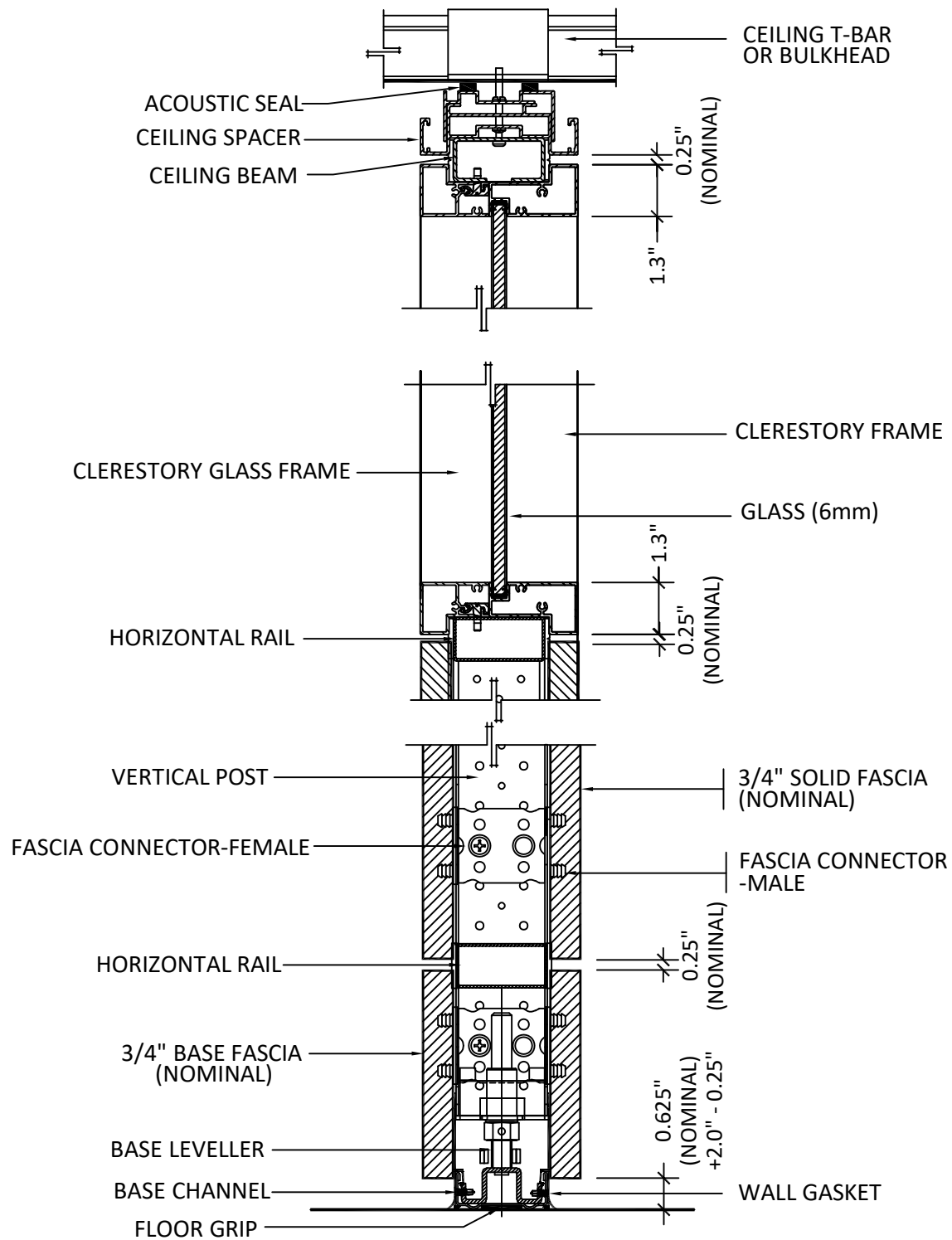
**2** SECTION THROUGH CLERESTORY THREE WAY CORNER CONNECTION WITH OPTOS DOOR AND GLASS



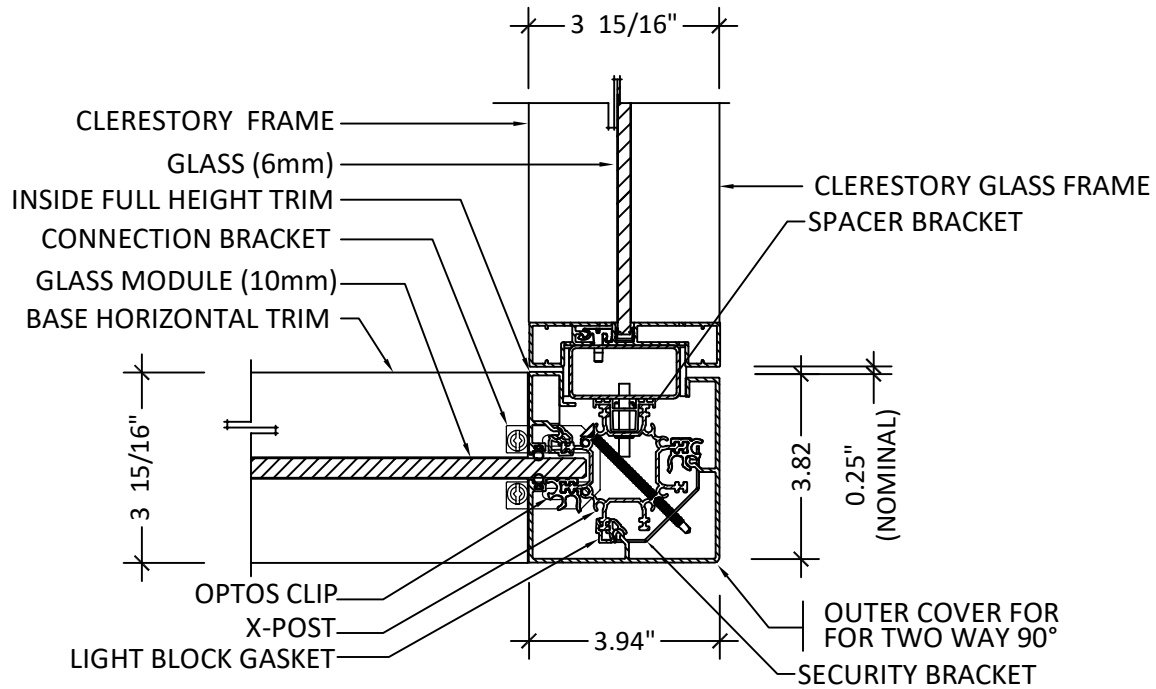
**1 SECTION THROUGH CLERESTORY THREE WAY CORNER CONNECTION WITH TWO OPTOS DOORS**



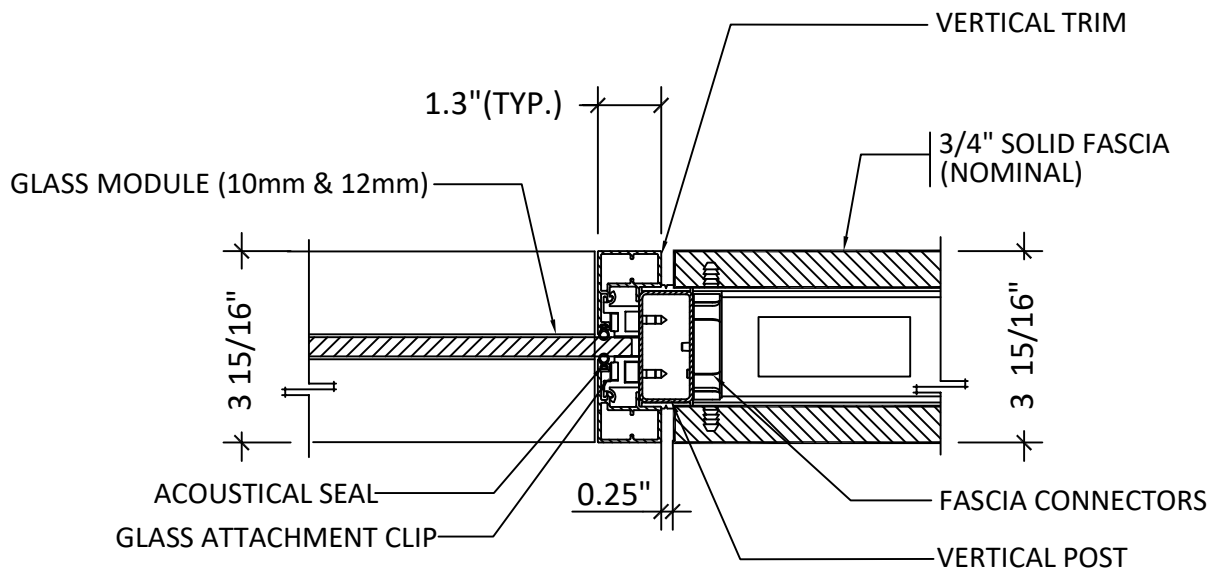
**2 CLERESTORY IN- LINE CONNECTION WITH OPTOS**



**1** SECTION THROUGH CLERESTORY



**1 SECTION THROUGH CLERESTORY TWO WAY 90° CORNER CONNECTION WITH SLIDING DOOR END**



**1 SECTION THROUGH TWO -WAY CORNER CONNECTION  
WITH | OPTOS TO | ALTOS AT 180° IN-LINE**

SECTION THROUGH OPTOS AND ALTOS INLINE CONNECTION

1'-0"=1'-0"

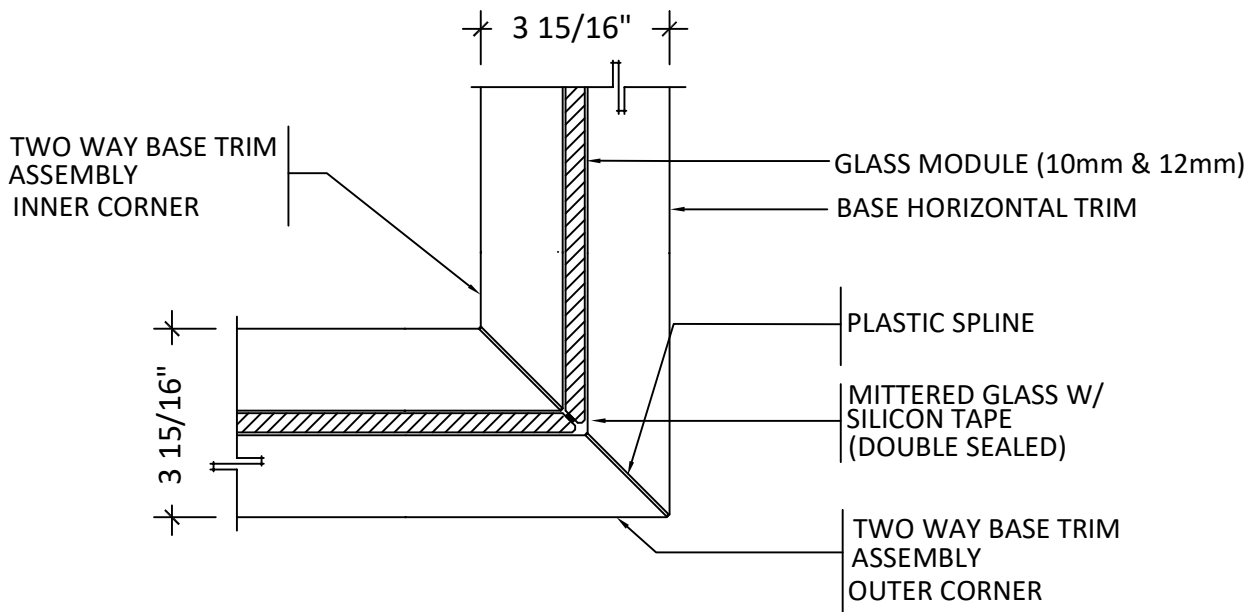
OPTOS DETAILING PACKAGE

NOV 01, 2024

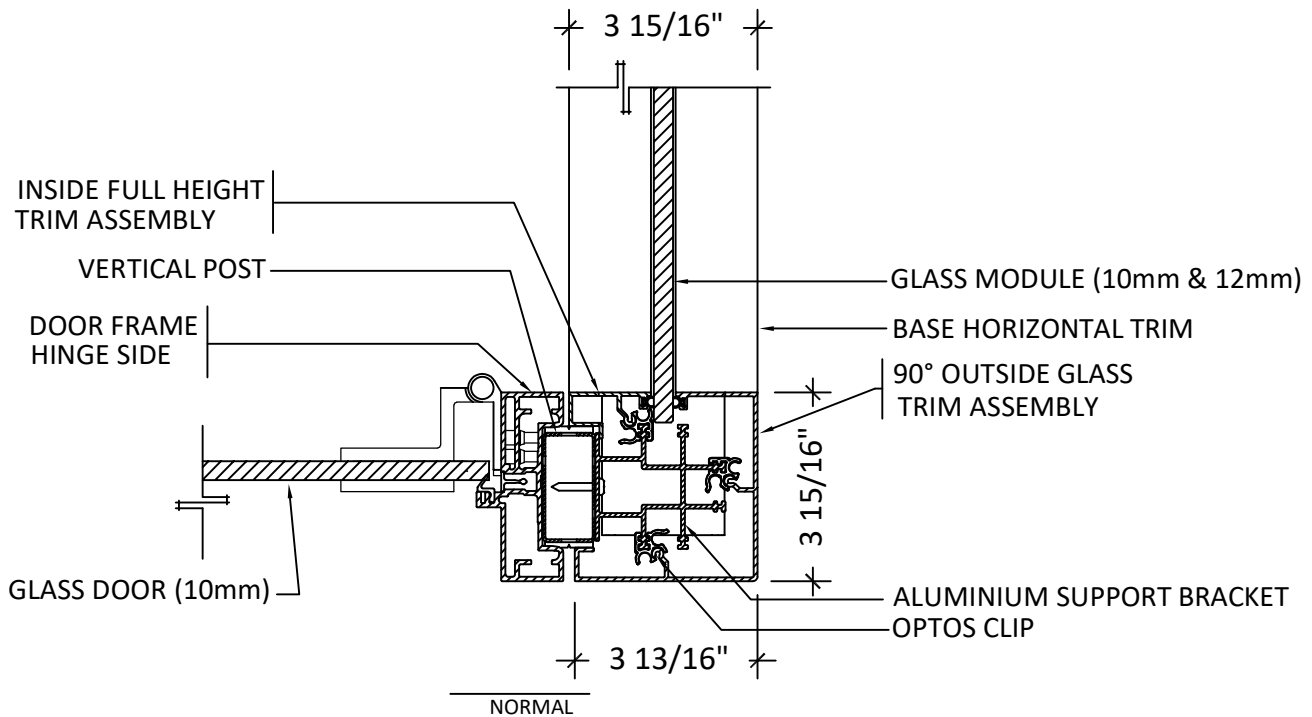
REV02

M01

This drawing is the property of Teknion Limited and is subject to return upon demand. It must not be copied or reproduced in any manner, nor submitted to any outside parties for examination without Teknion consent. This drawing must not be scaled, or used for construction purposes..



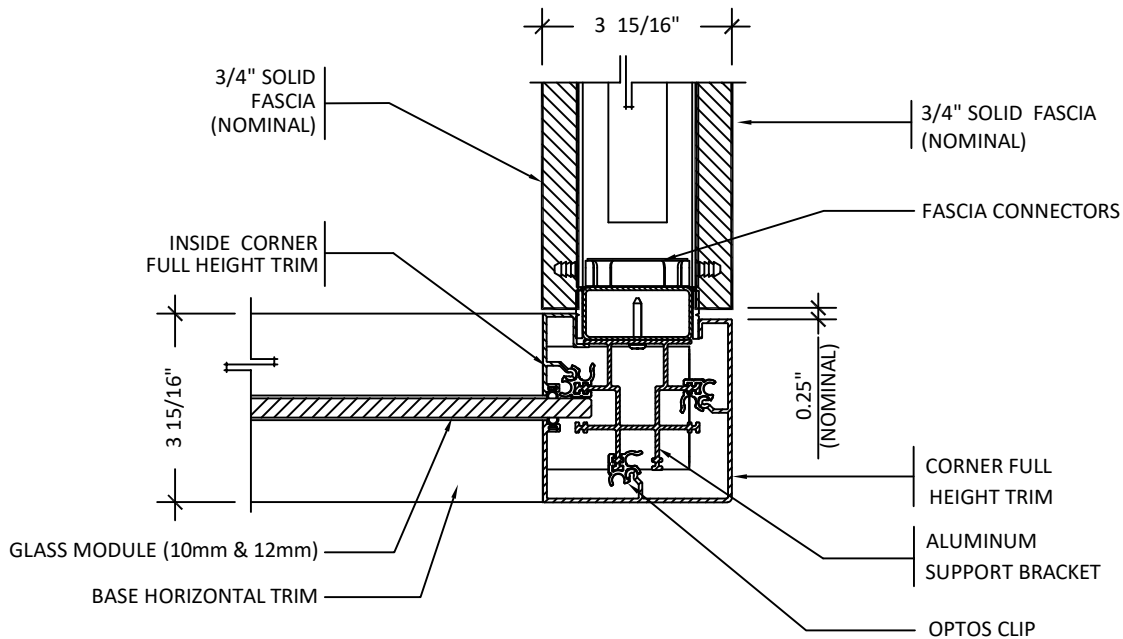
**1** SECTION THROUGH TWO-WAY CORNER CONNECTION WITH 2 OPTOS AT 90°



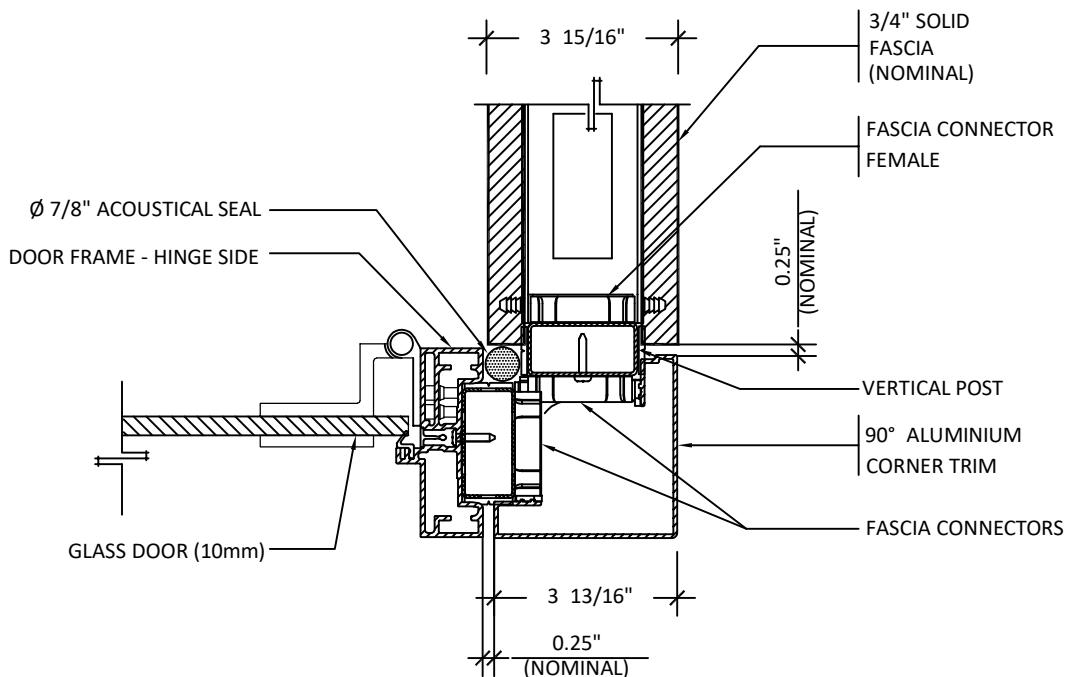
**2** SECTION THROUGH TWO-WAY CORNER CONNECTION WITH 1 OPTOS DOOR AND 1 OPTOS AT 90°

SECTION THROUGH TWO-WAY 90° CORNER CONNECTION

1'-0"=1'-0"



**1 SECTION THROUGH TWO-WAY CORNER CONNECTION WITH 1 ALTOS AND 1 OPTOS AT 90°**



**2 SECTION THROUGH TWO-WAY CORNER CONNECTION WITH 1 OPTOS DOOR AND 1 ALTOS AT 90°**

SECTION THROUGH TWO-WAY 90° CORNER CONNECTION

1'-0"=1'-0"

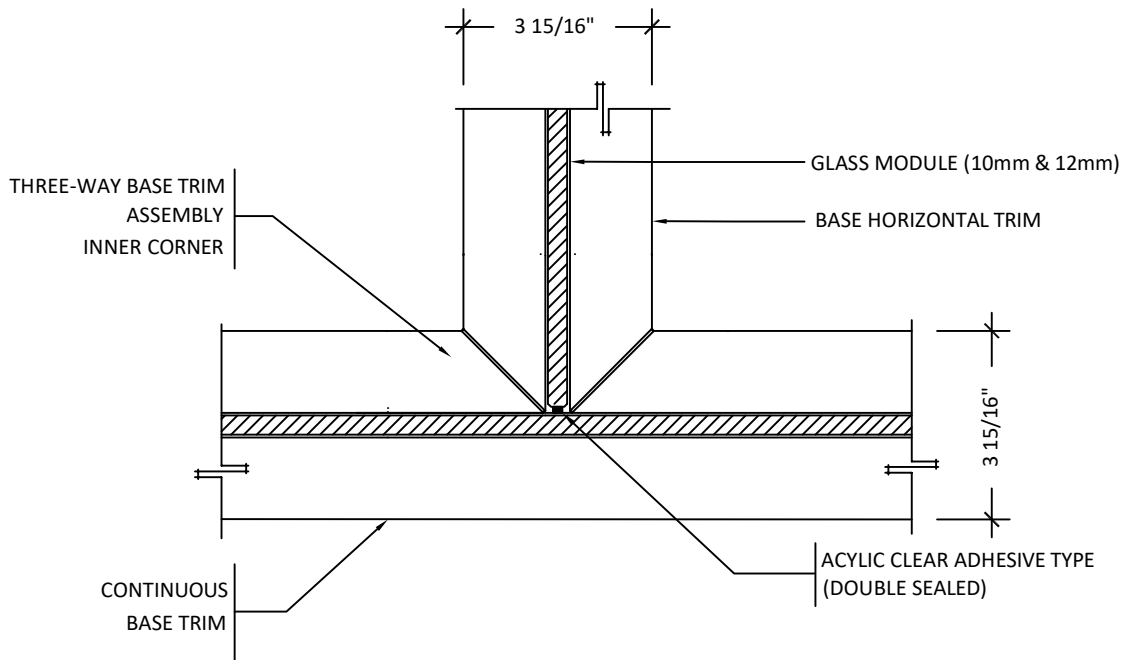
OPTOS DETAILING PACKAGE

JUNE 30, 2024

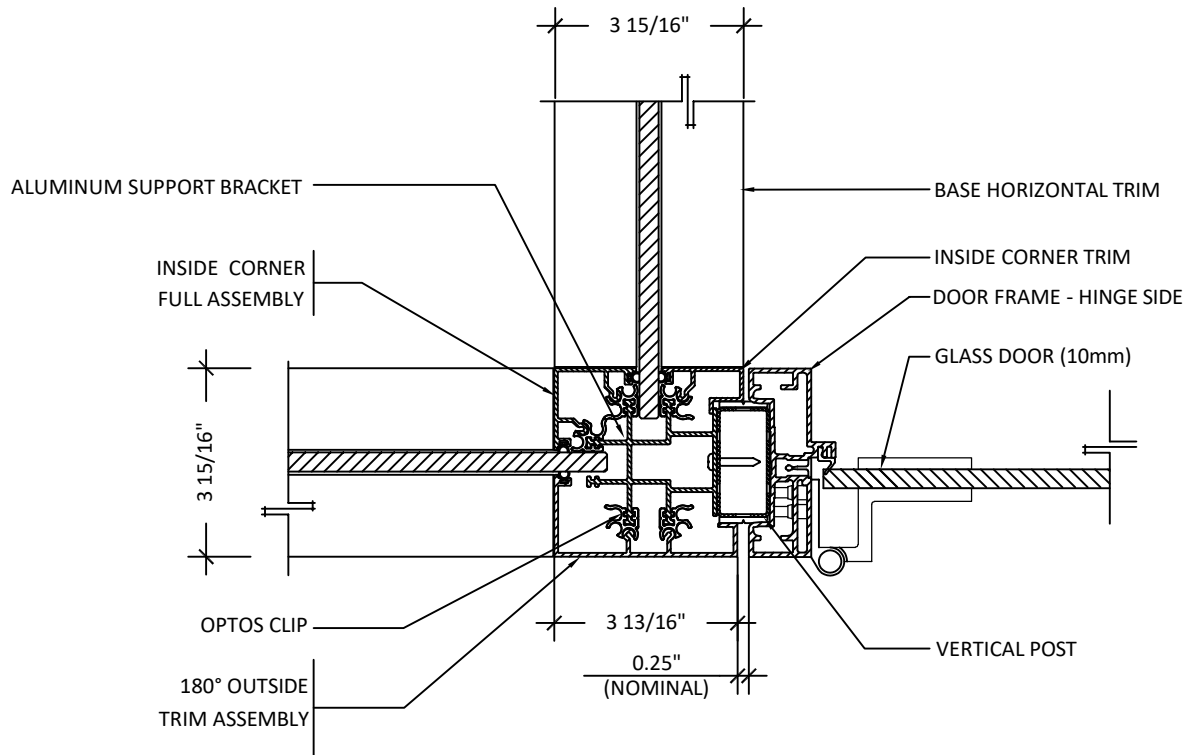
REV01

M03

This drawing is the property of Teknion Limited and is subject to return upon demand. It must not be copied or reproduced in any manner, nor submitted to any outside parties for examination without Teknion consent. This drawing must not be scaled, or used for construction purposes.



**1 SECTION THROUGH THREE-WAY CORNER CONNECTION WITH OPTOS TO OPTOS AT 180°**



**2 SECTION THROUGH THREE-WAY CORNER CONNECTION WITH 1 OPTOS DOOR AT 180°**

SECTION THROUGH THREE-WAY 180° CORNER CONNECTION

1'-0"=1'-0"

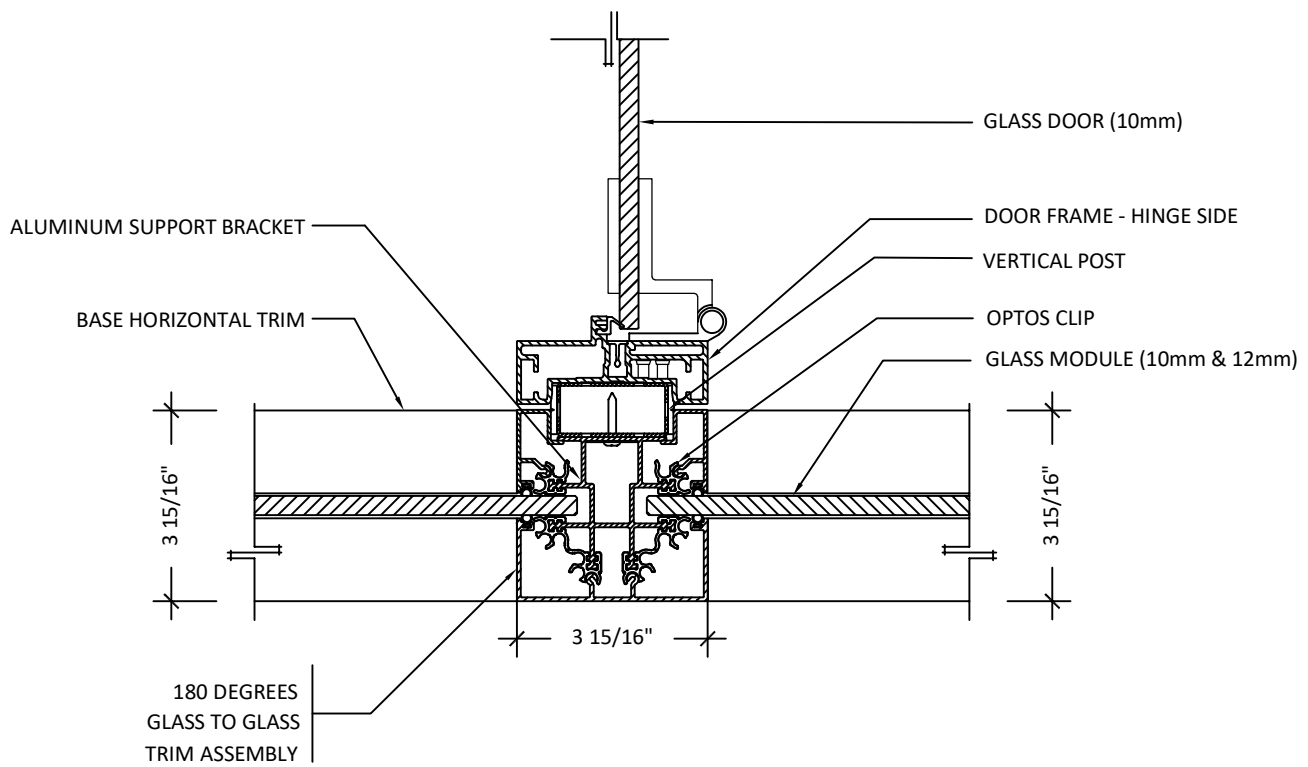
OPTOS DETAILING PACKAGE

JUNE 30, 2024

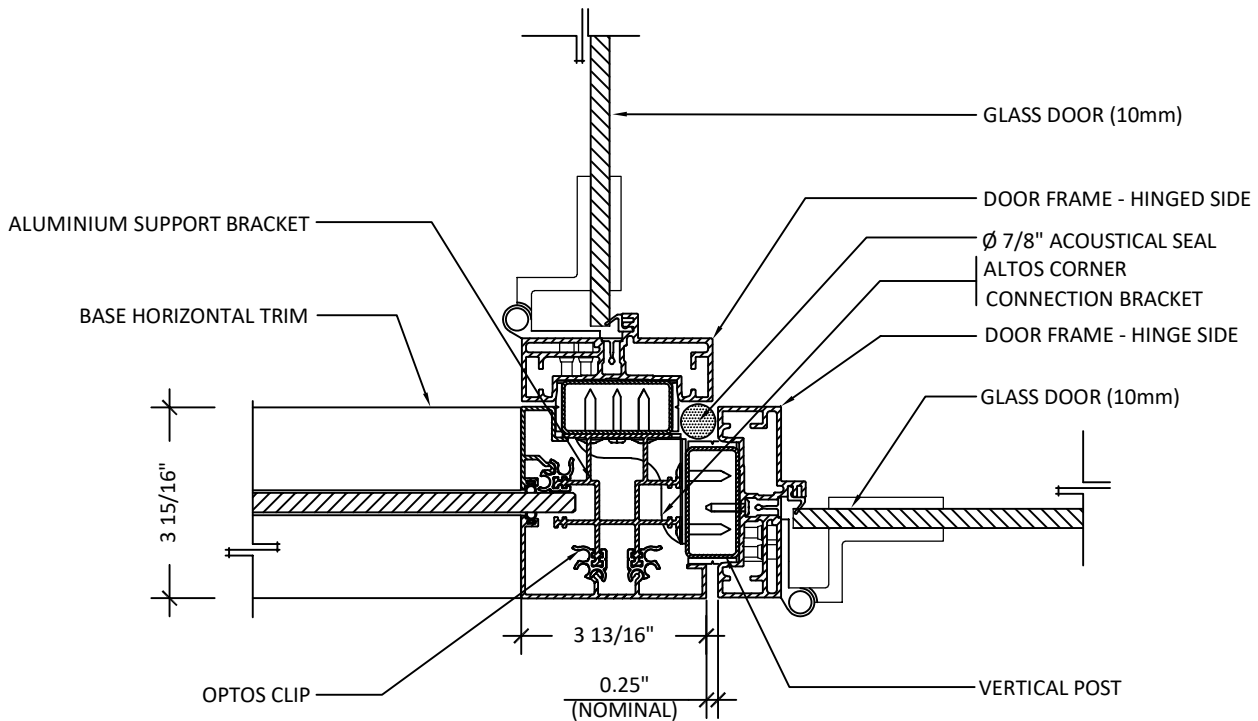
REV01

M04

This drawing is the property of Teknion Limited and is subject to return upon demand. It must not be copied or reproduced in any manner, nor submitted to any outside parties for examination without Teknion consent. This drawing must not be scaled, or used for construction purposes.



**1 SECTION THROUGH THREE-WAY CORNER CONNECTION WITH 1 OPTOS DOOR AT 90°**



**2 SECTION THROUGH THREE-WAY CORNER CONNECTION WITH 2 OPTOS DOORS AT 90°**

SECTION THROUGH THREE-WAY CORNER CONNECTION

1'-0"=1'-0"

OPTOS DETAILING PACKAGE

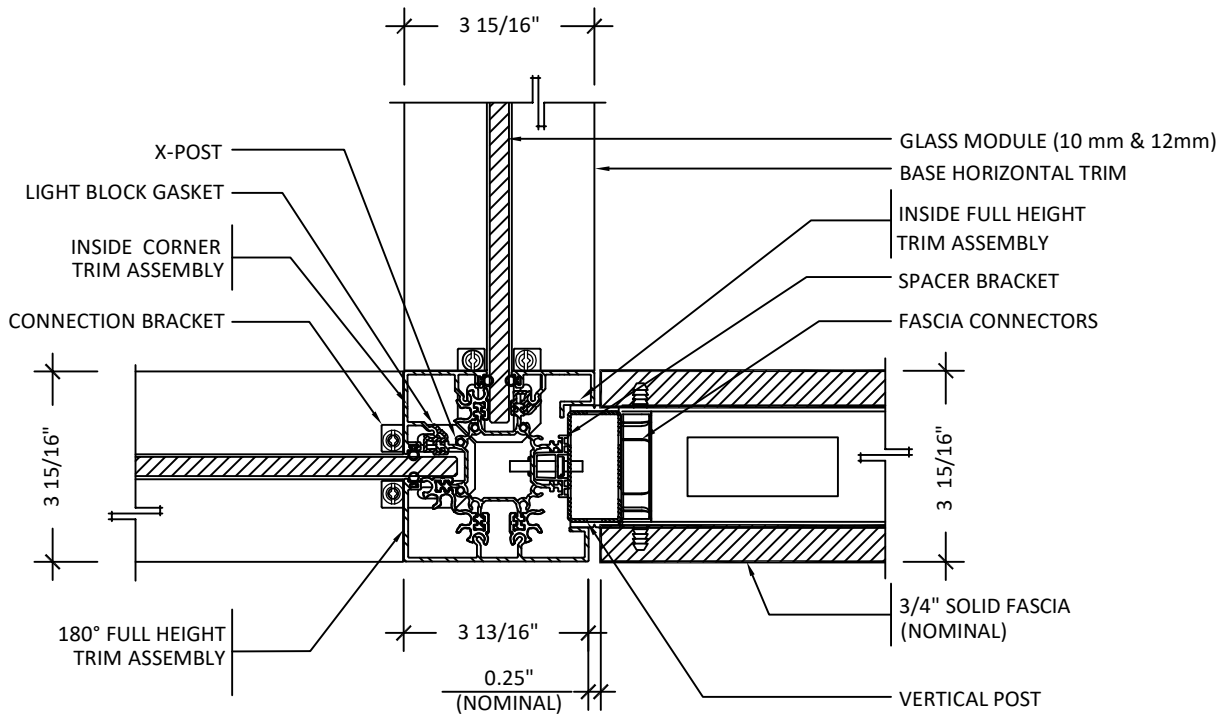
JUNE 30, 2024

REV01

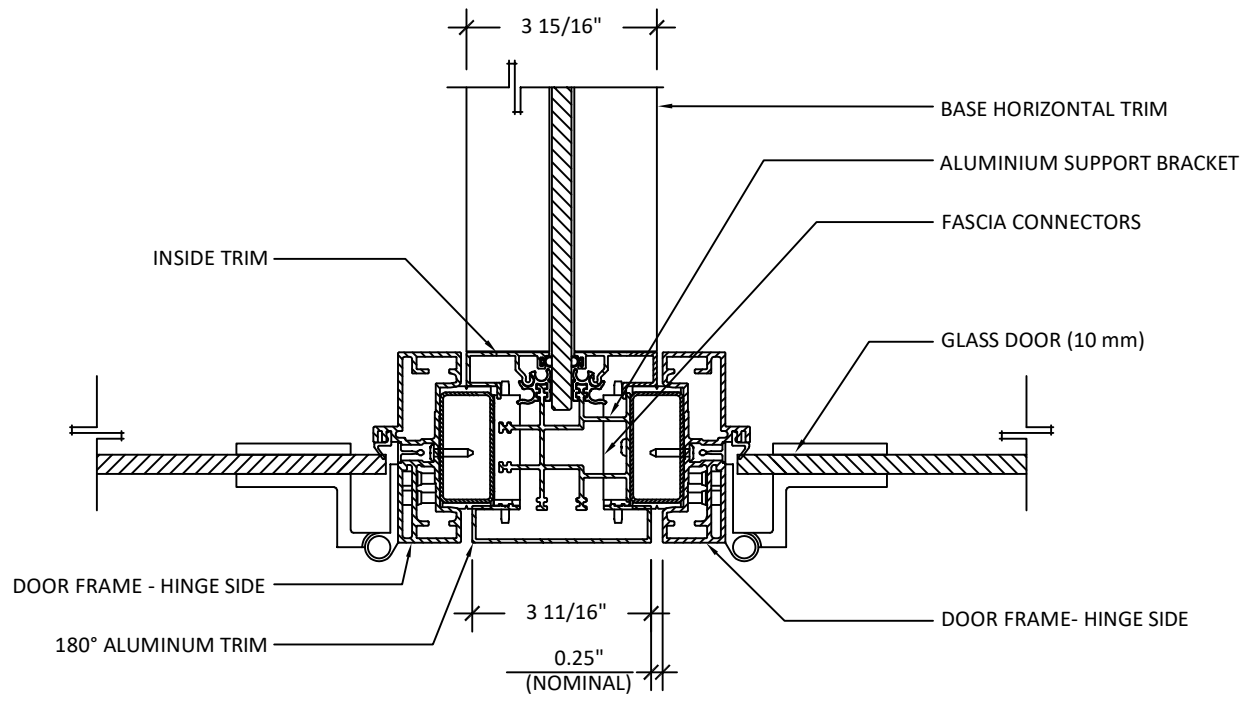
M05

This drawing is the property of Teknion Limited and is subject to return upon demand. It must not be copied or reproduced in any manner, nor submitted to any outside parties for examination without Teknion consent. This drawing must not be scaled, or used for construction purposes.

Publish Date: Feb 23 2026 **teknion**



**1 SECTION THROUGH THREE-WAY CORNER CONNECTION WITH 1 ALTOS AND 2 OPTOS AT 90°**



**2 SECTION THROUGH THREE-WAY CORNER CONNECTION WITH 2 OPTOS DOORS AT 180°**

SECTION THROUGH THREE -WAY 180° CORNER CONNECTION

1'-0"=1'-0"

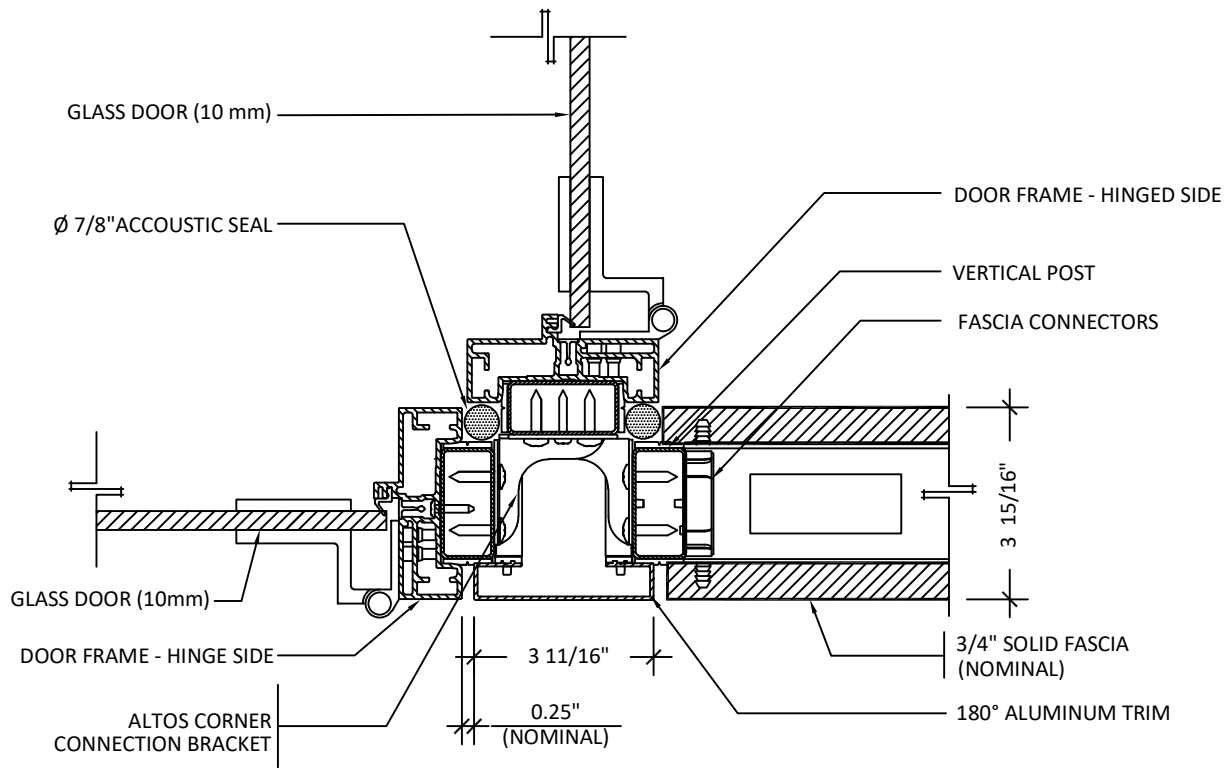
OPTOS DETAILING PACKAGE

JUNE 30, 2024

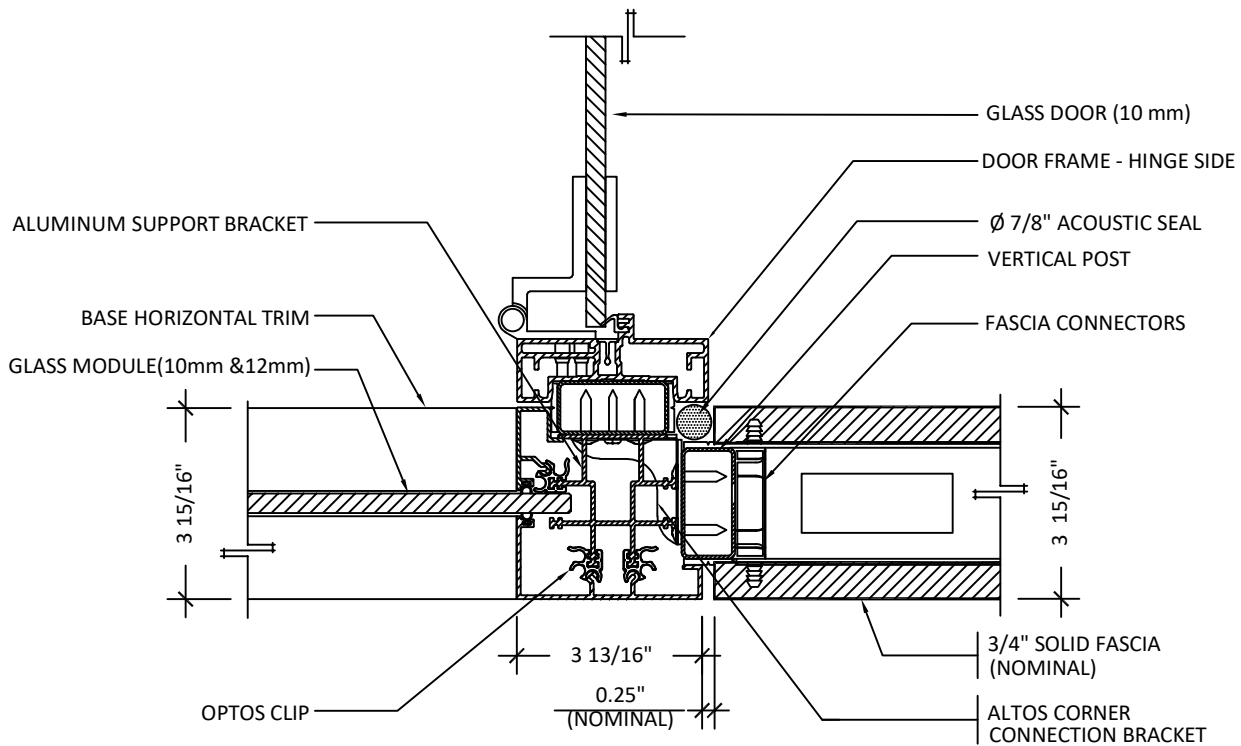
REV01

M06

This drawing is the property of Teknion Limited and is subject to return upon demand. It must not be copied or reproduced in any manner, nor submitted to any outside parties for examination without Teknion consent. This drawing must not be scaled, or used for construction purposes.



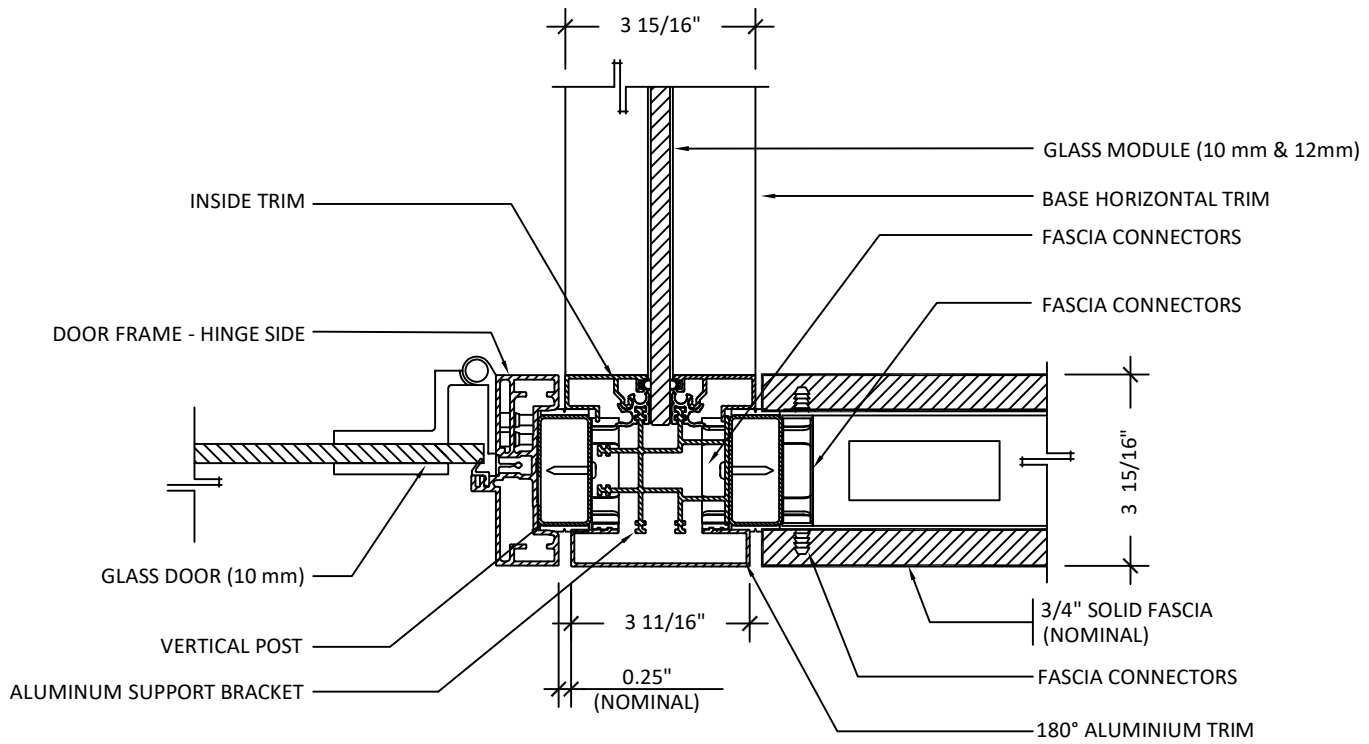
**1 SECTION THROUGH THREE-WAY CORNER CONNECTION WITH 1 ALTOS AND 2 OPTOS DOORS AT 90°**



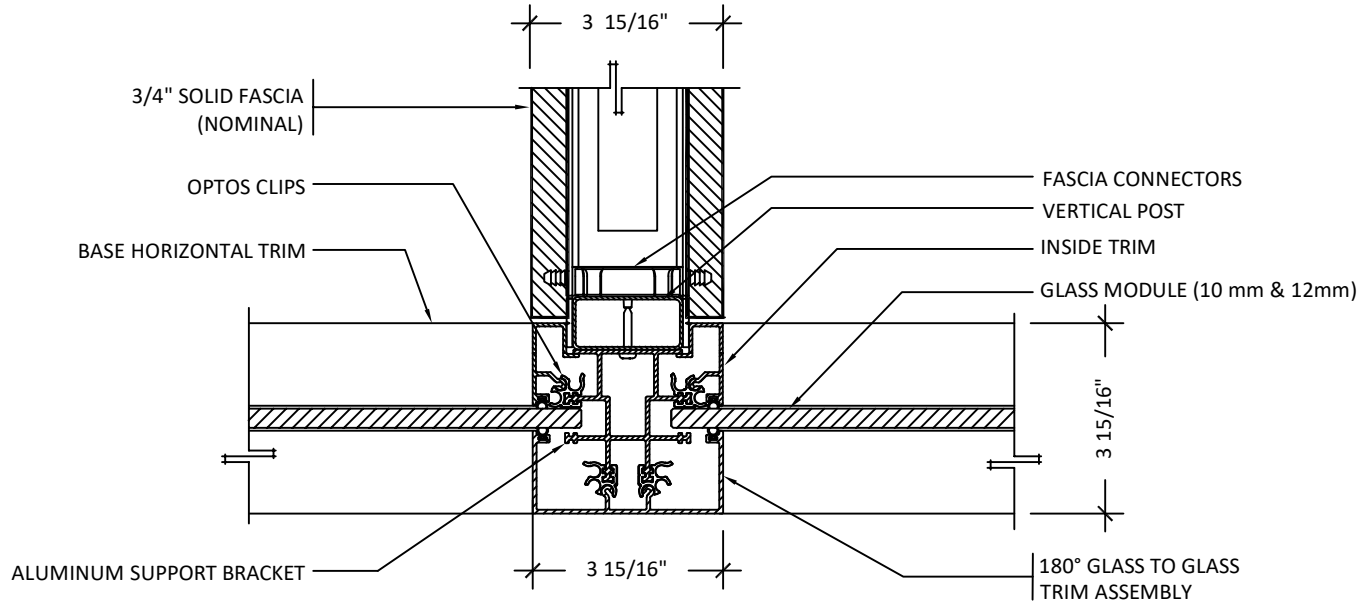
**2 SECTION THROUGH THREE-WAY CORNER CONNECTION WITH 1 ALTOS TO 2 OPTOS WITH 1 OPTOS DOOR AT 90°**

SECTION THROUGH THREE -WAY 180° CORNER CONNECTION

1'-0"=1'-0"



**1 SECTION THROUGH THREE-WAY CORNER CONNECTION WITH 1 ALTOS TO 2 OPTOS WITH 1 OPTOS DOOR AT 180°**



**2 SECTION THROUGH THREE-WAY CORNER CONNECTION WITH 1 ALTOS AND 2 OPTOS AT 180°**

SECTION THROUGH THREE -WAY 180° CORNER CONNECTION

1'-0"=1'-0"

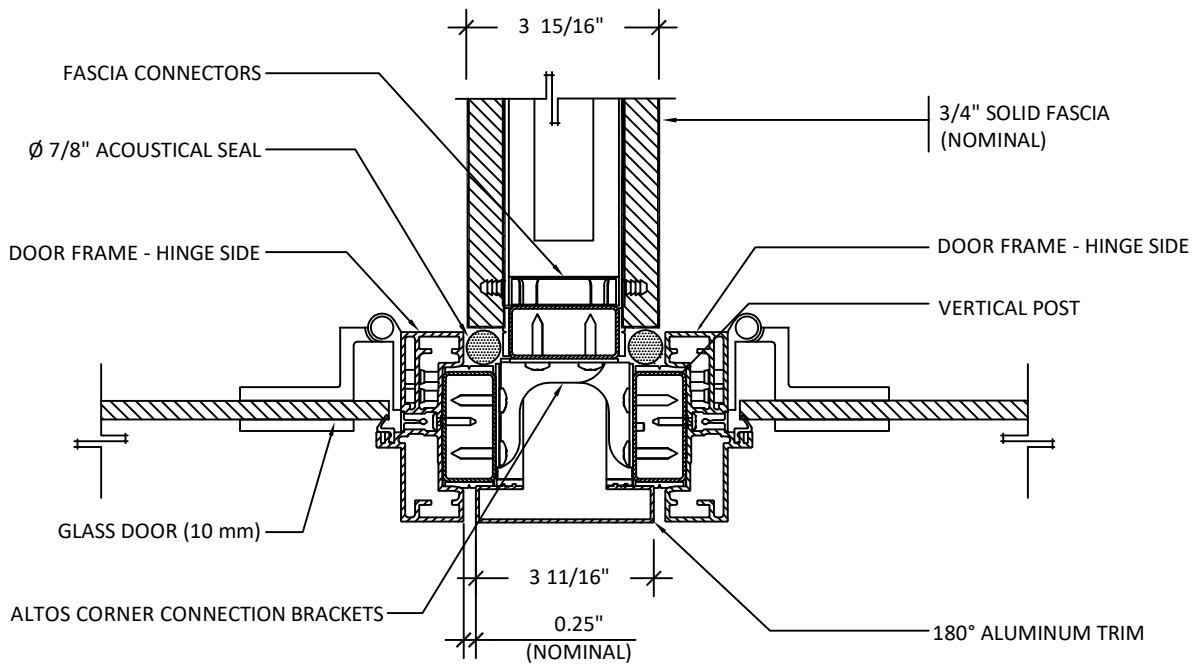
OPTOS DETAILING PACKAGE

JUNE 30, 2024

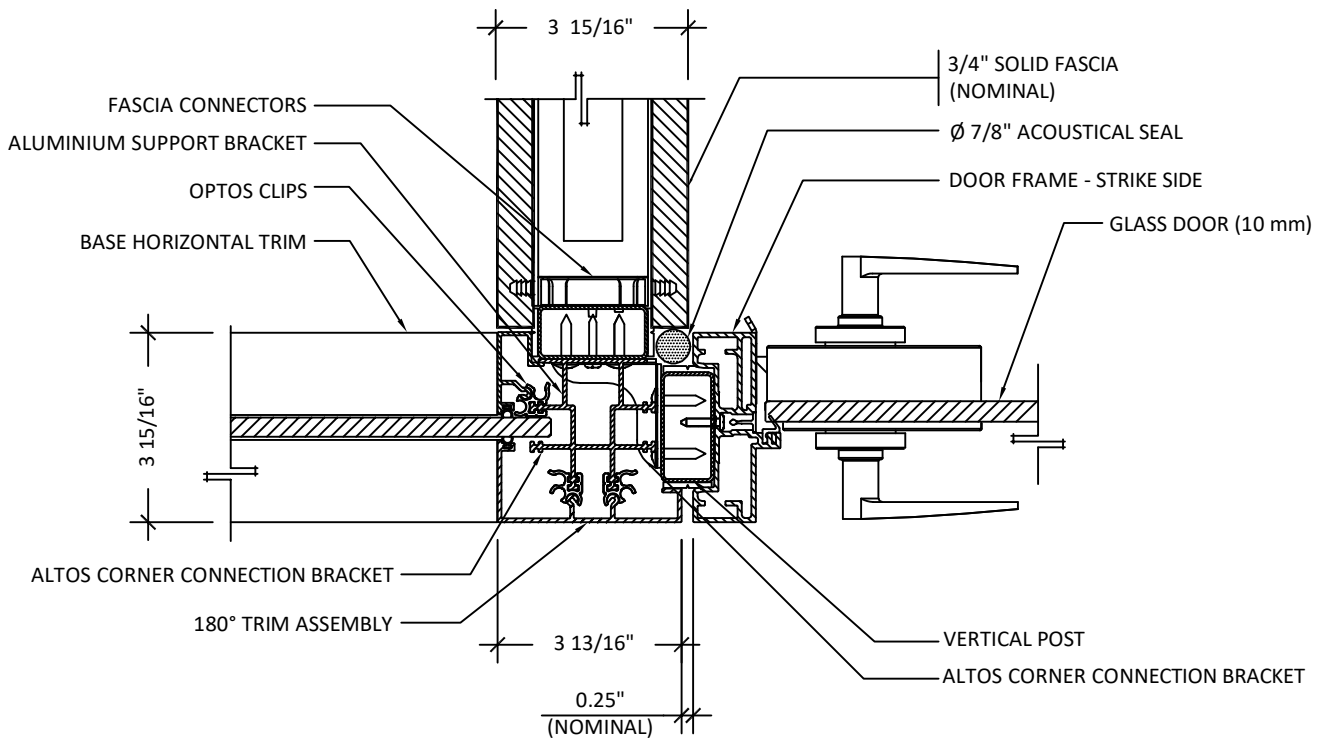
REV 01

M08

This drawing is the property of Teknion Limited and is subject to return upon demand. It must not be copied or reproduced in any manner, nor submitted to any outside parties for examination without Teknion consent. This drawing must not be scaled, or used for construction purposes.



**1 SECTION THROUGH THREE-WAY CORNER CONNECTION WITH 1 ALTOS AND 2 OPTOS AT 180°**



**2 SECTION THROUGH THREE-WAY CORNER CONNECTION WITH 1 ALTOS TO 2 OPTOS WITH 1 OPTOS DOOR AT 180°**

SECTION THROUGH THREE -WAY 180° CORNER CONNECTION

1'-0"=1'-0"

OPTOS DETAILING PACKAGE

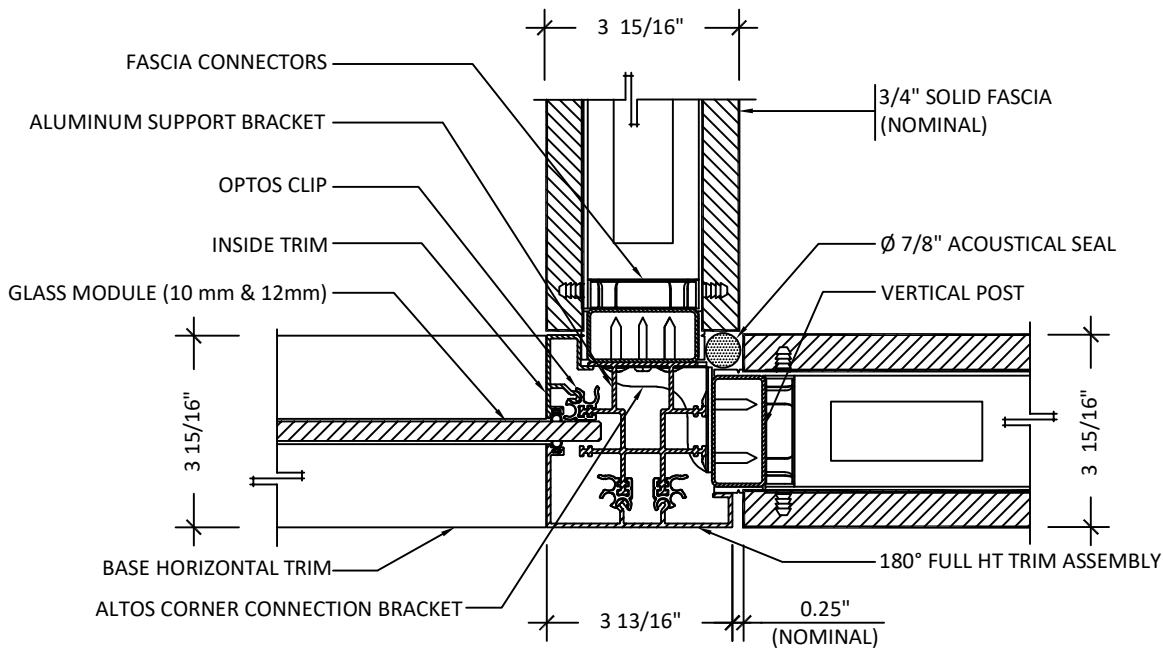
JUNE 30, 2024

REV01

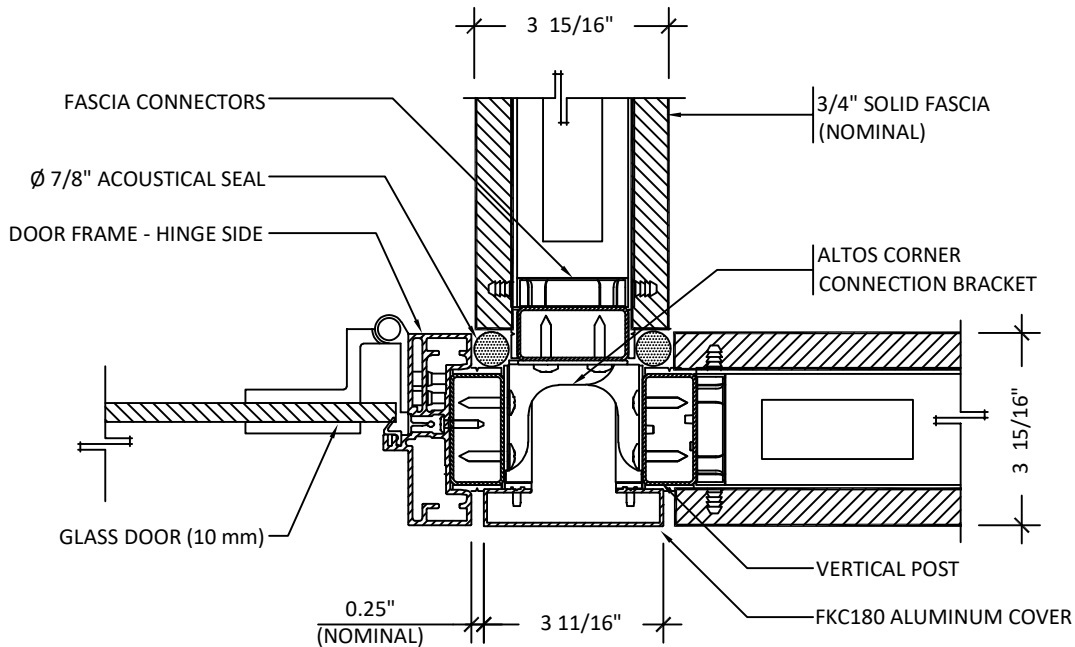
M09

This drawing is the property of Teknion Limited and is subject to return upon demand. It must not be copied or reproduced in any manner, nor submitted to any outside parties for examination without Teknion consent. This drawing must not be scaled, or used for construction purposes..

Publish Date: Feb 23 2026 **teknion**



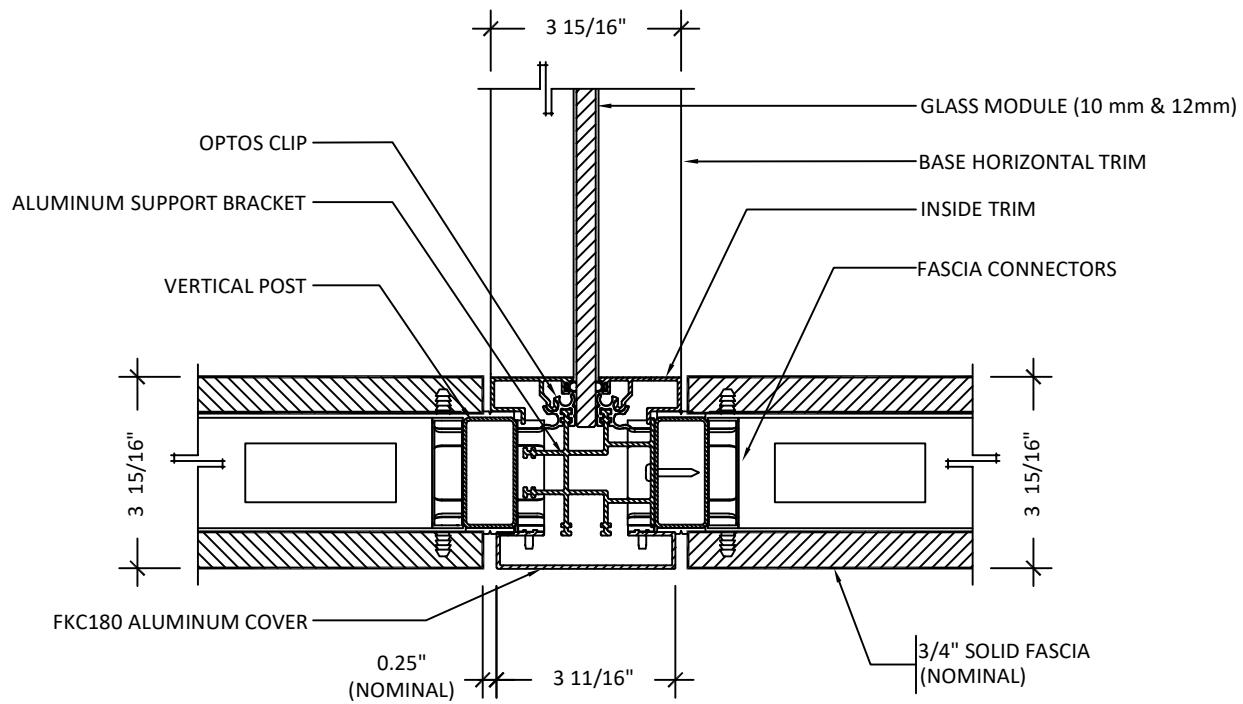
**1 SECTION THROUGH THREE-WAY CORNER CONNECTION WITH 1 OPTOS AND 2 ALTOS AT 90°**



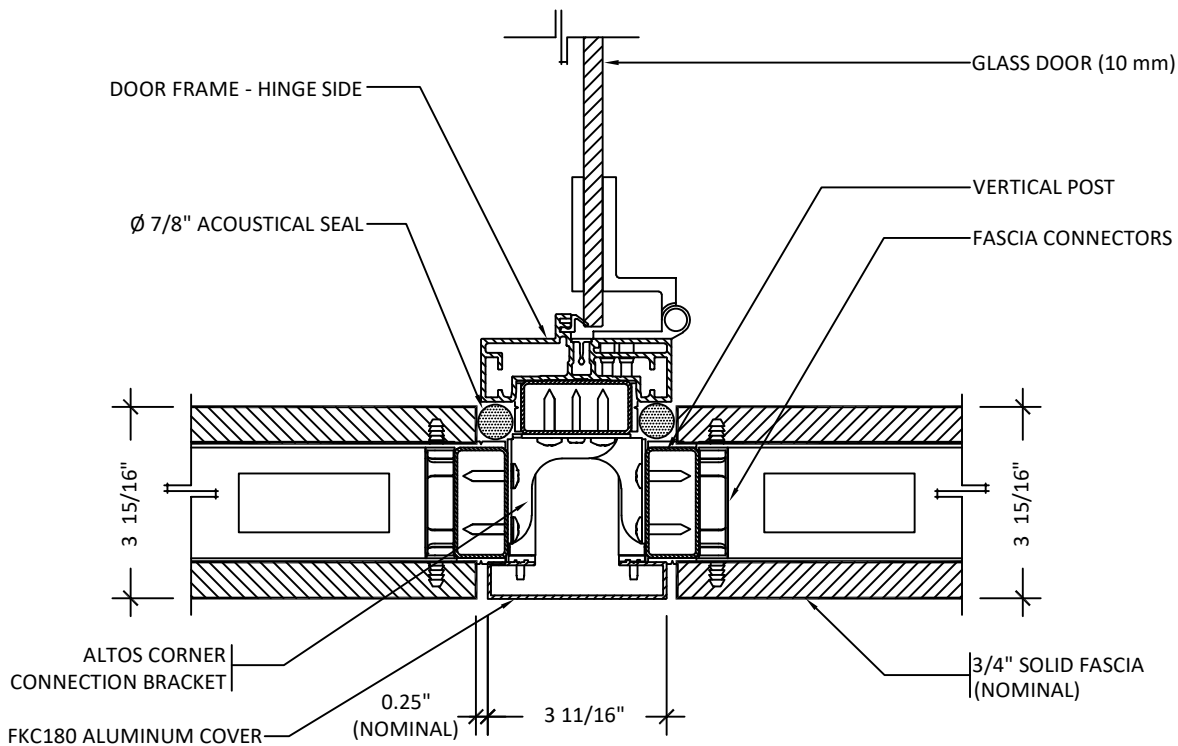
**2 SECTION THROUGH THREE-WAY CORNER CONNECTION WITH 2 ALTOS AT 90° TO 1 OPTOS DOOR AT 180°**

SECTIONS THROUGH THREE -WAY 180° CORNER CONNECTION

1'-0"=1'-0"



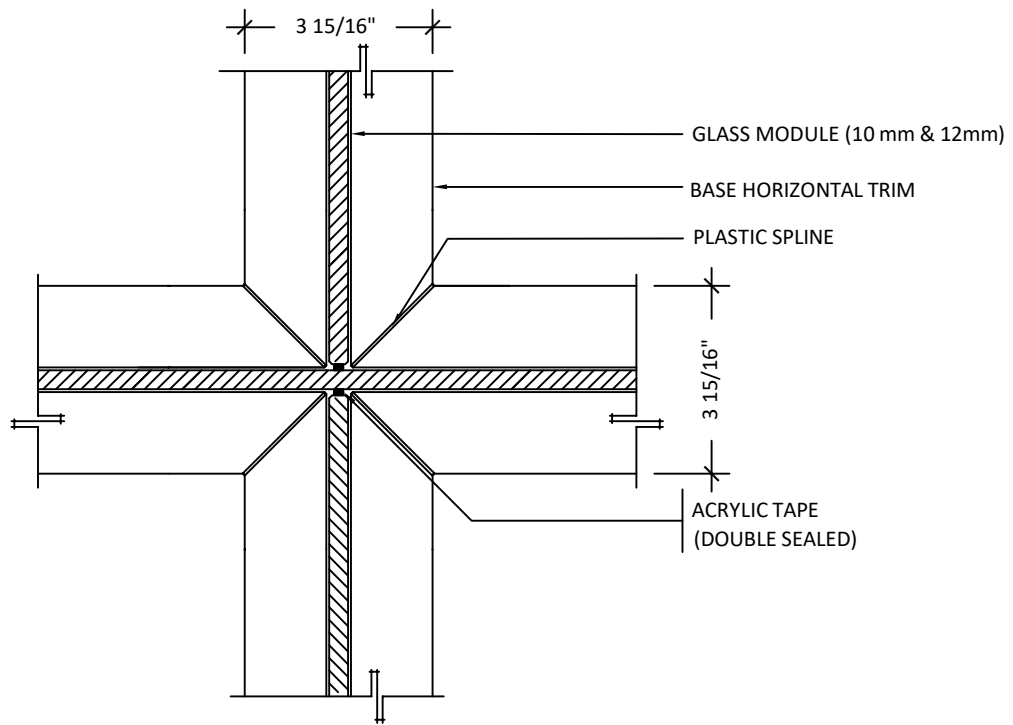
**1 SECTION THROUGH THREE-WAY CORNER CONNECTION WITH 1 OPTOS AND 2 ALTOS AT 180°**



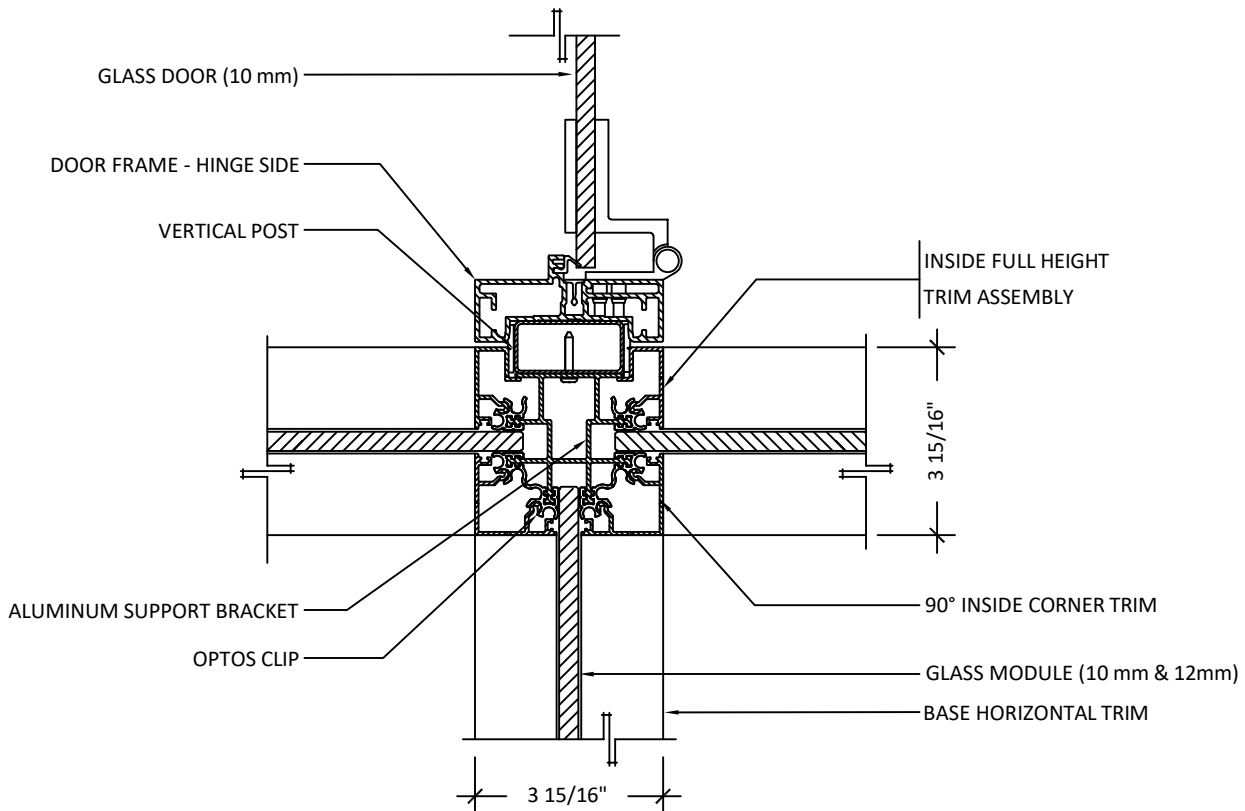
**2 SECTION THROUGH THREE-WAY CORNER CONNECTION WITH 2 ALTOS AND 1 OPTOS DOOR AT 90°**

SECTION THROUGH THREE -WAY 180° CORNER CONNECTION

1'-0"=1'-0"



**1** SPECIAL-SECTION THROUGH FOUR-WAY 90° OPTOS CORNER CONNECTION



**2** SPECIAL-SECTION THROUGH FOUR-WAY OPTOS CORNER CONNECTION WITH 1 OPTOS DOOR AT 90°

SECTION THROUGH FOUR-WAY CORNER CONNECTION

1'-0"=1'-0"

OPTOS DETAILING PACKAGE

JUNE 30, 2024

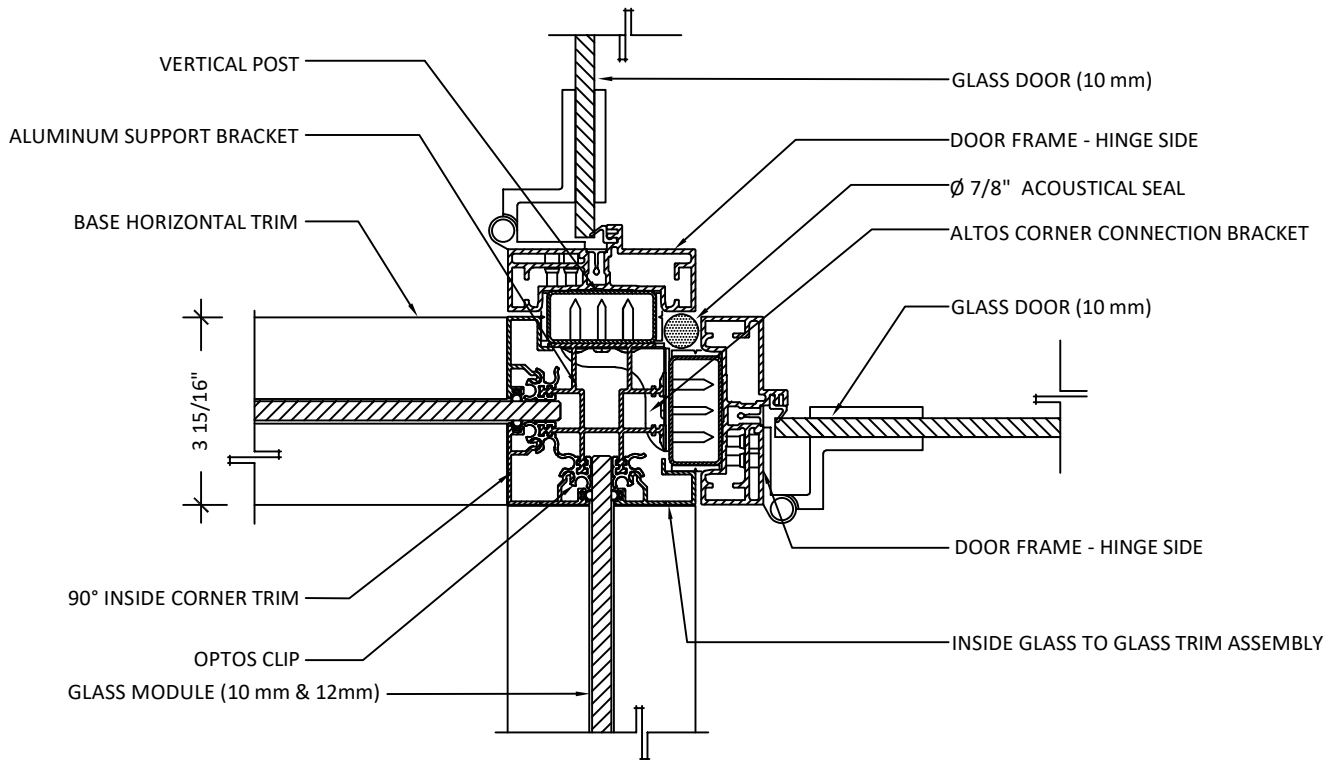
REV02

M12

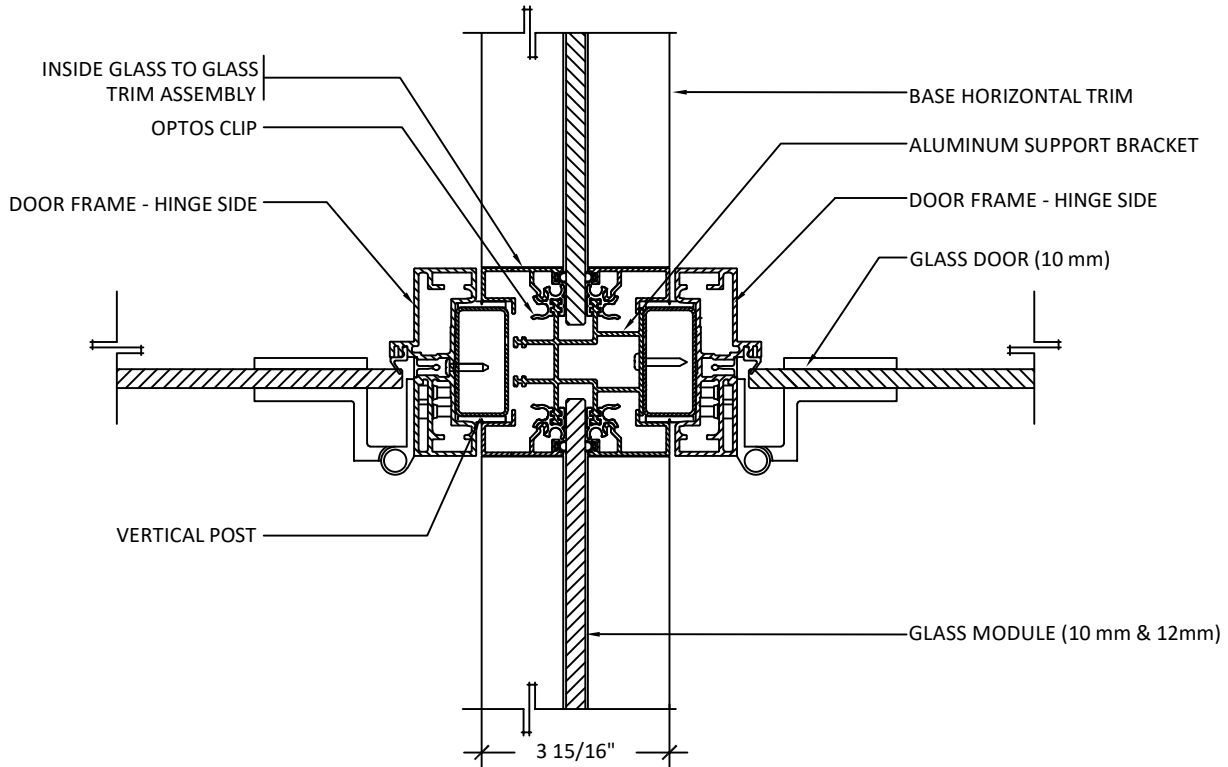
This drawing is the property of Teknion Limited and is subject to return upon demand. It must not be copied or reproduced in any manner, nor submitted to any outside parties for examination without Teknion consent. This drawing must not be scaled, or used for construction purposes.

**teknion**

Publish Date: Feb 23 2026



**1** SPECIAL-SECTION THROUGH FOUR-WAY OPTOS CORNER CONNECTION WITH 2 OPTOS DOORS AT 90°



**2** SPECIAL-SECTION THROUGH FOUR-WAY OPTOS CORNER CONNECTION WITH 2 OPTOS DOORS AT 180°

SECTION THROUGH FOUR -WAY CORNER CONNECTION

1'-0"=1'-0"

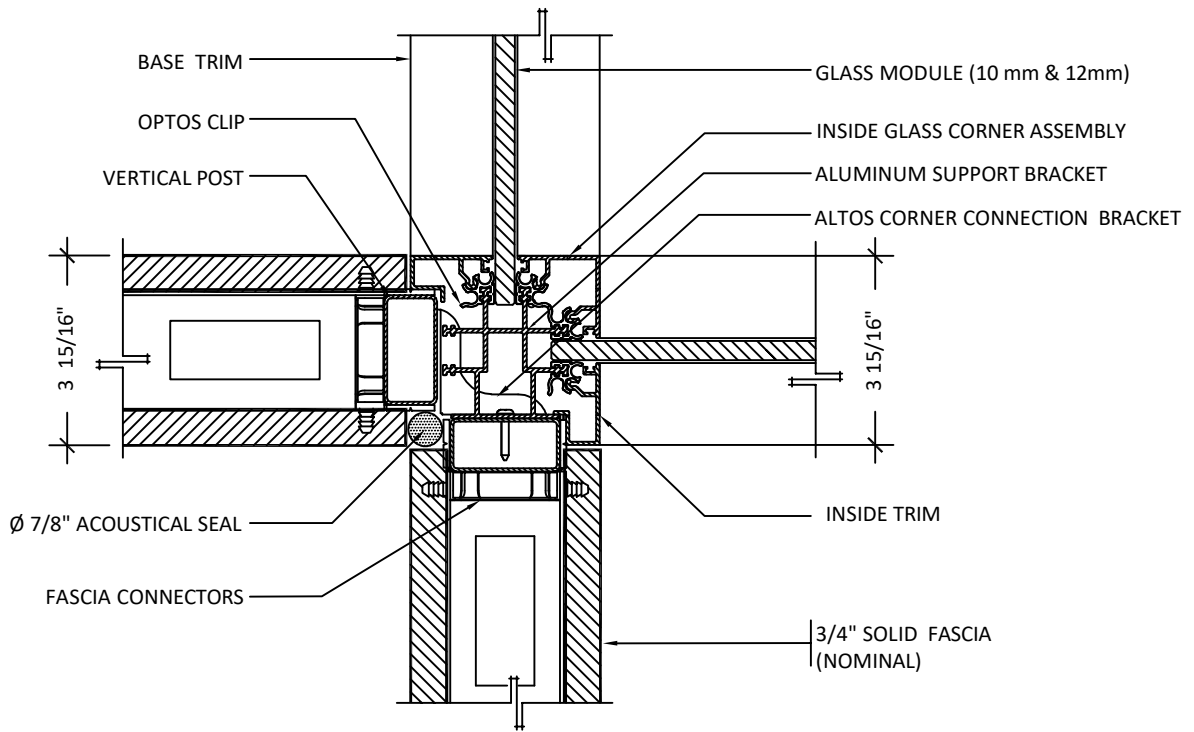
OPTOS DETAILING PACKAGE

JUNE 30, 2024

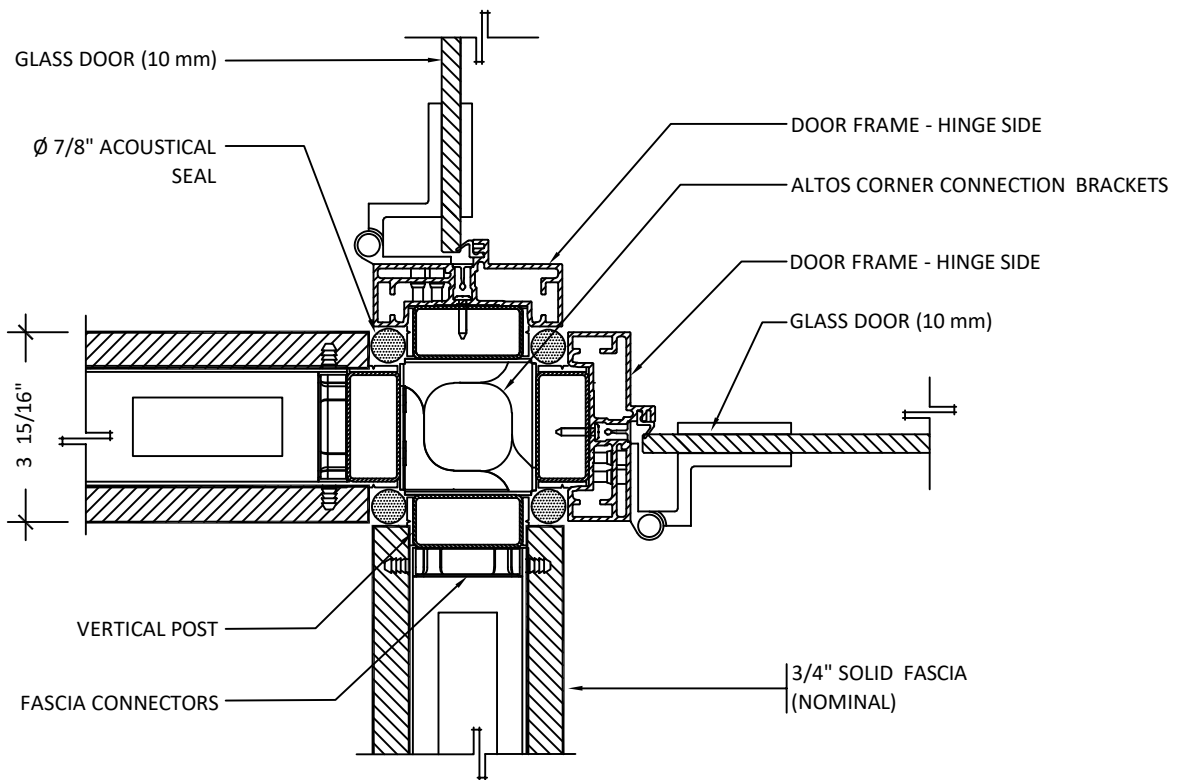
REV02

M13

This drawing is the property of Teknion Limited and is subject to return upon demand. It must not be copied or reproduced in any manner, nor submitted to any outside parties for examination without Teknion consent. This drawing must not be scaled, or used for construction purposes.



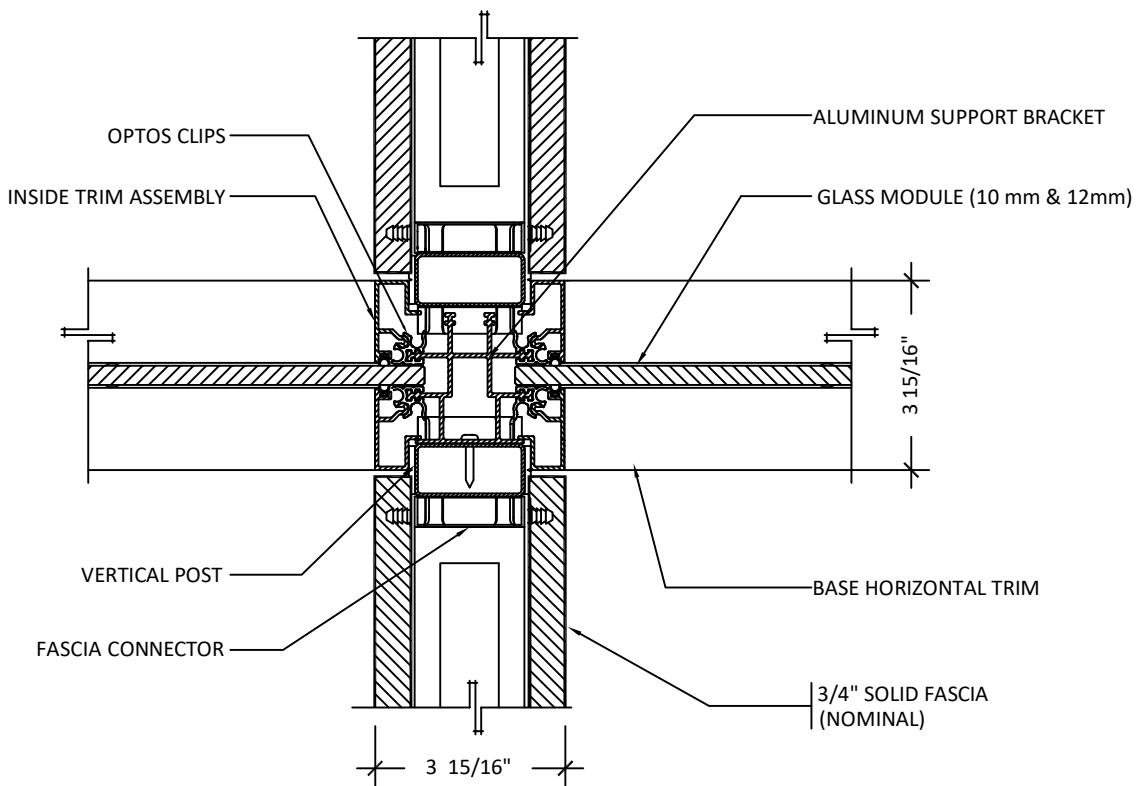
**1** SPECIAL-SECTION THROUGH FOUR-WAY OPTOS CORNER CONNECTION WITH 2 ALTOS AND 2 OPTOS AT 90°



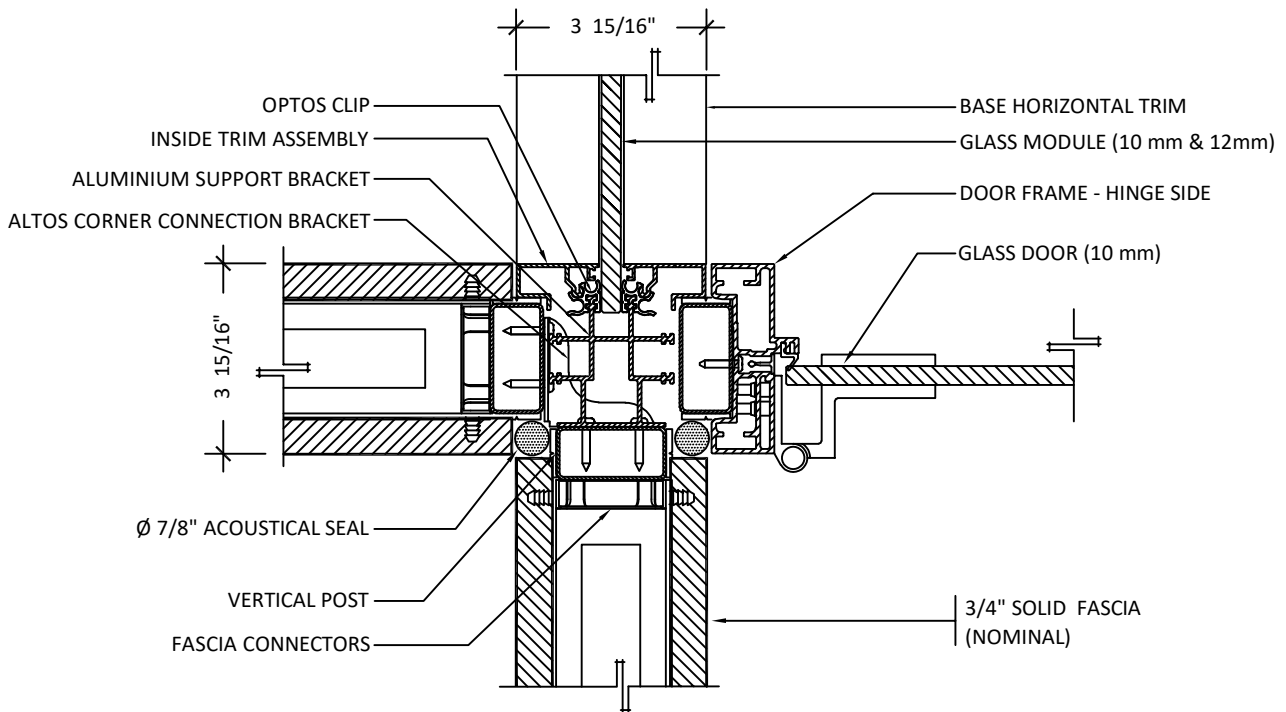
**2** SPECIAL-SECTION THROUGH FOUR-WAY CORNER CONNECTION WITH 2 ALTOS AND 2 OPTOS DOORS AT 90°

SECTION THROUGH FOUR -WAY CORNER CONNECTION

1'-0"=1'-0"



**1** SPECIAL-SECTION THROUGH FOUR-WAY CORNER CONNECTION WITH 2 OPTOS AND 2 ALTOS AT 180°



**2** SPECIAL-SECTION THROUGH FOUR-WAY CORNER CONNECTION WITH 2 ALTOS TO 2 OPTOS WITH 1 DOOR AT 180°

SECTION THROUGH FOUR -WAY CORNER CONNECTION

1'-0"=1'-0"

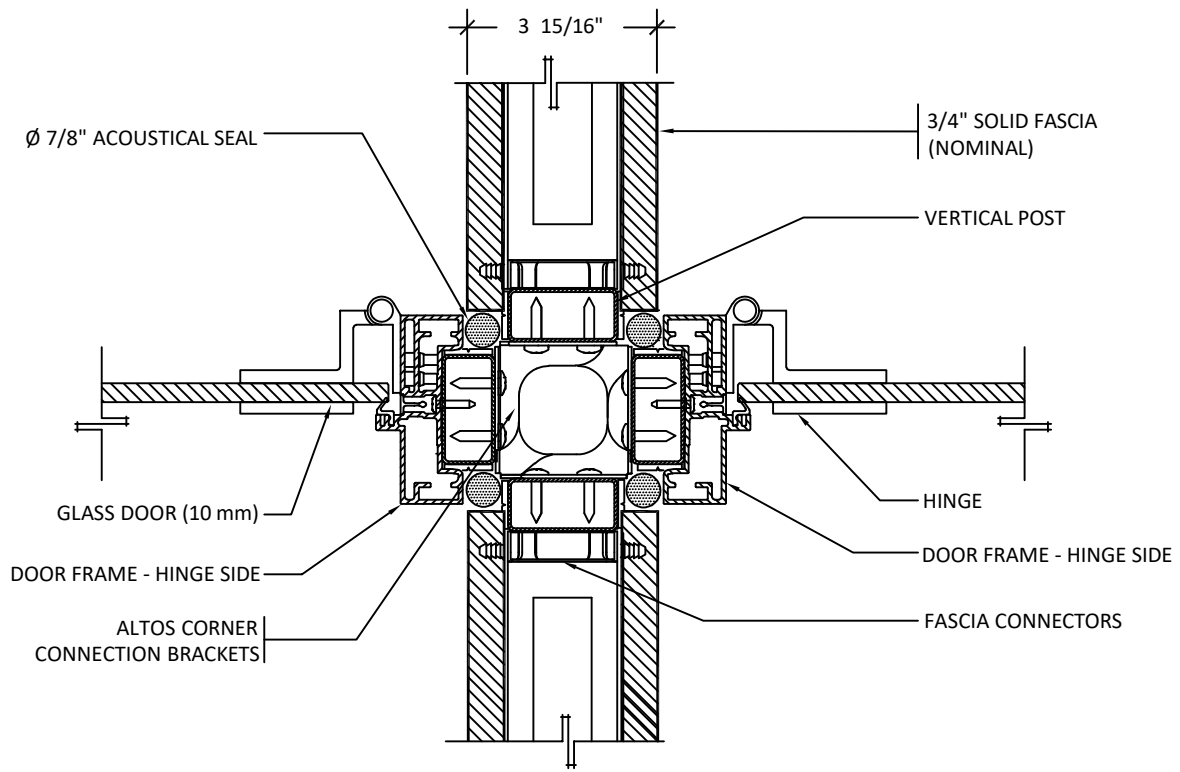
OPTOS DETAILING PACKAGE

JUNE 30, 2024

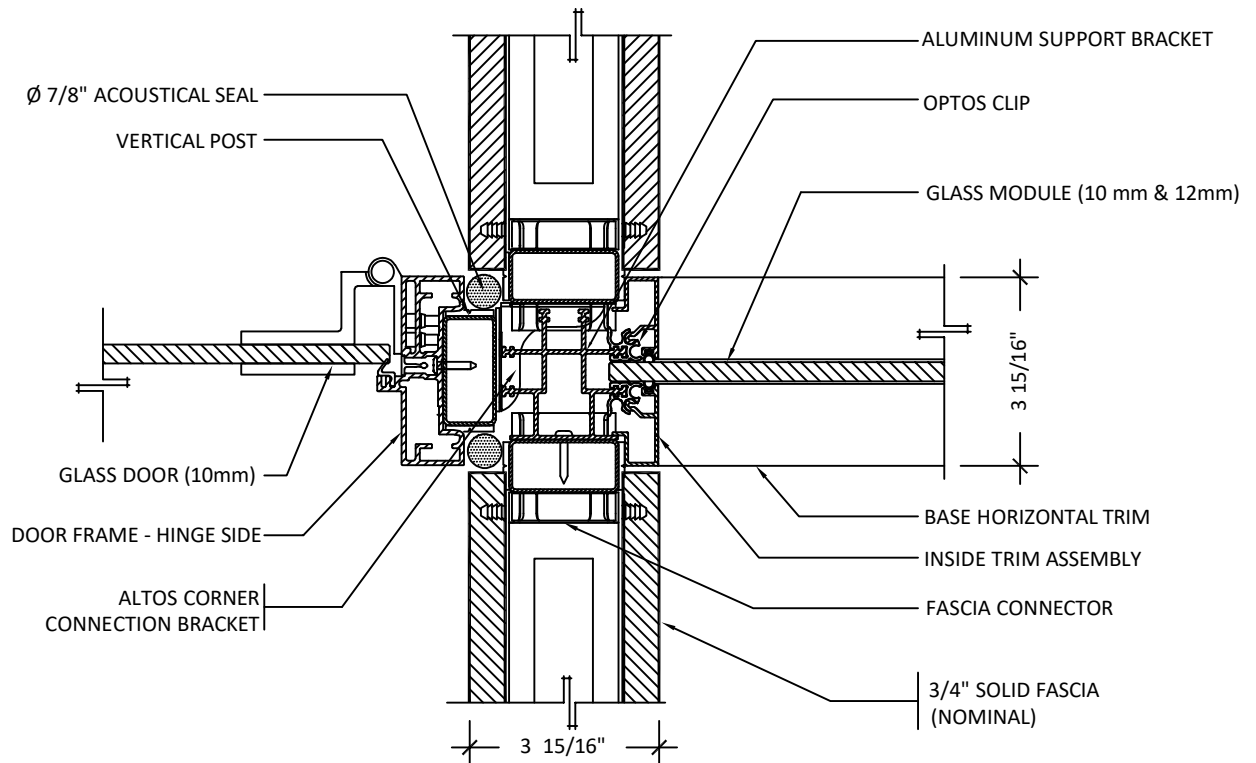
REV02

M15

This drawing is the property of Teknion Limited and is subject to return upon demand. It must not be copied or reproduced in any manner, nor submitted to any outside parties for examination without Teknion consent. This drawing must not be scaled, or used for construction purposes.



**1** SPECIAL-SECTION THROUGH FOUR-WAY CORNER CONNECTION WITH 2 ALTOS AND 2 OPTOS DOORS AT 180°



**2** SPECIAL-SECTION THROUGH FOUR-WAY CORNER CONNECTION WITH 2 ALTOS TO 2 OPTOS WITH 1 OPTOS DOORS AT 180°

SECTION THROUGH FOUR -WAY CORNER CONNECTION

1'-0"=1'-0"

OPTOS DETAILING PACKAGE

JUNE 30, 2024

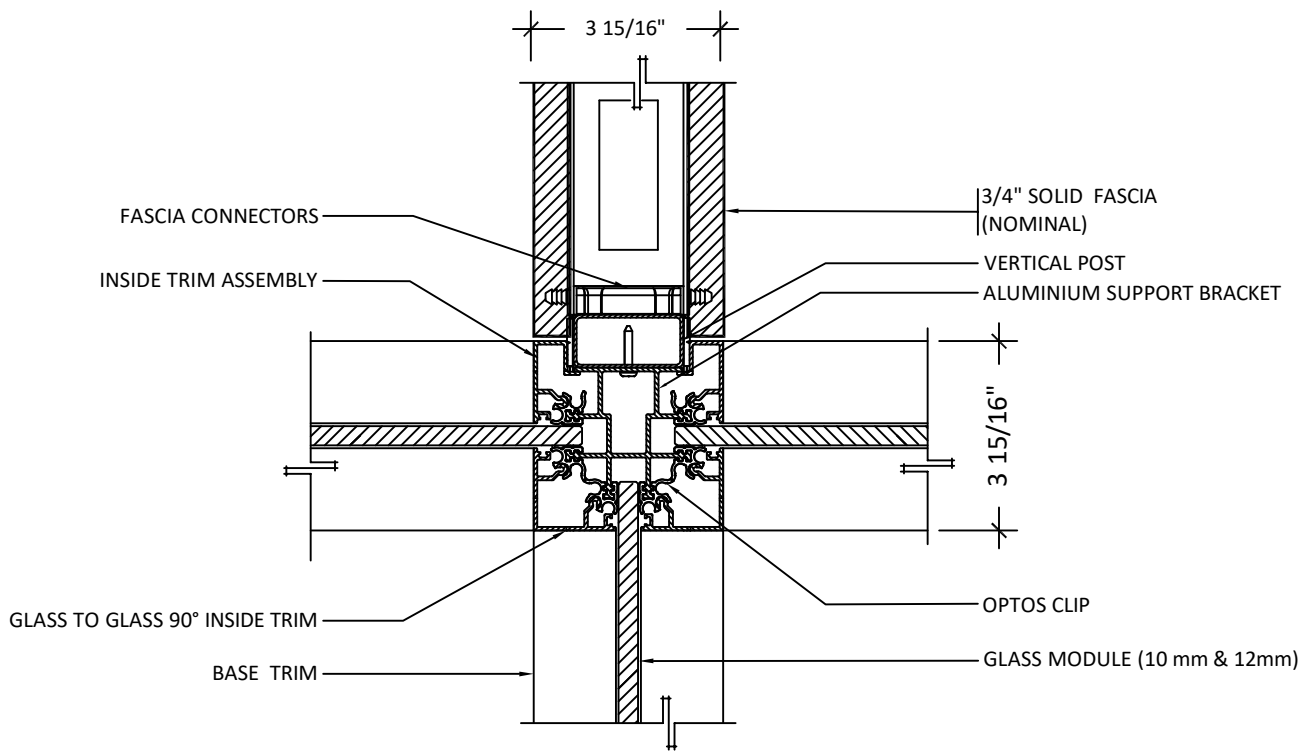
REV02

M16

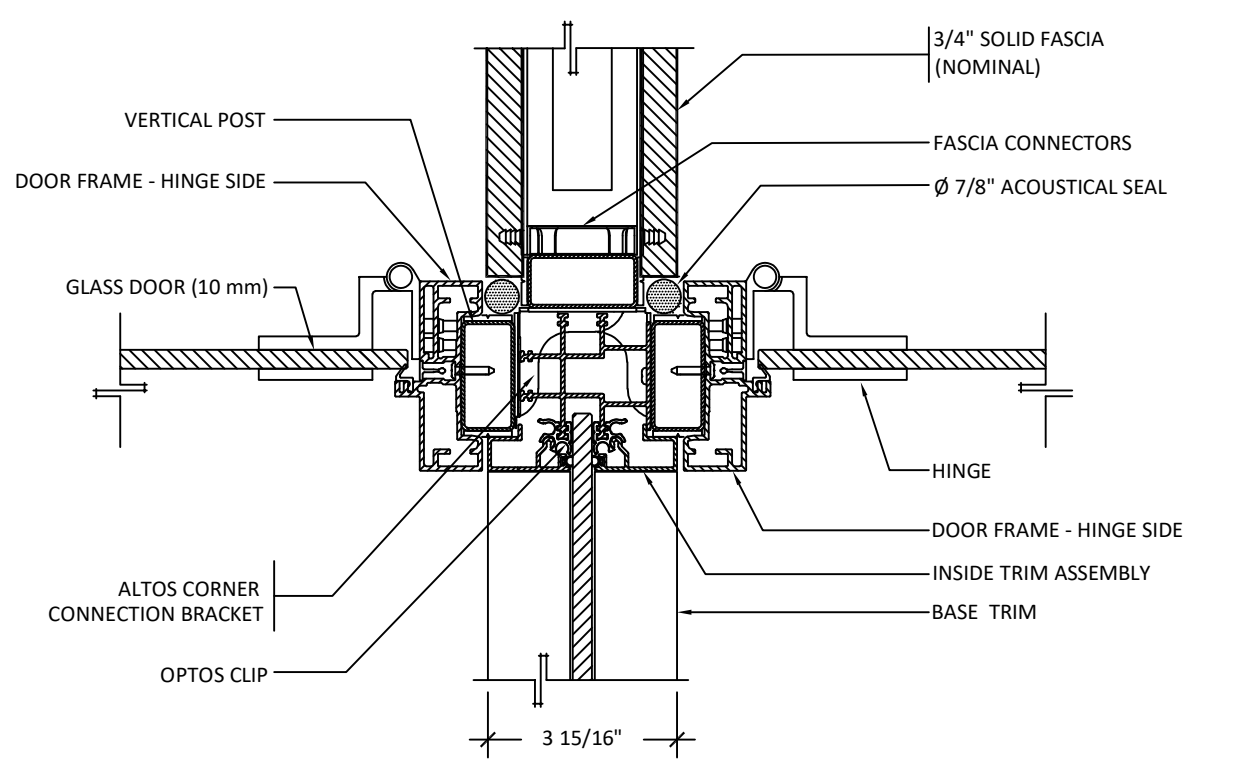
This drawing is the property of Teknion Limited and is subject to return upon demand. It must not be copied or reproduced in any manner, nor submitted to any outside parties for examination without Teknion consent. This drawing must not be scaled, or used for construction purposes.

**teknion**

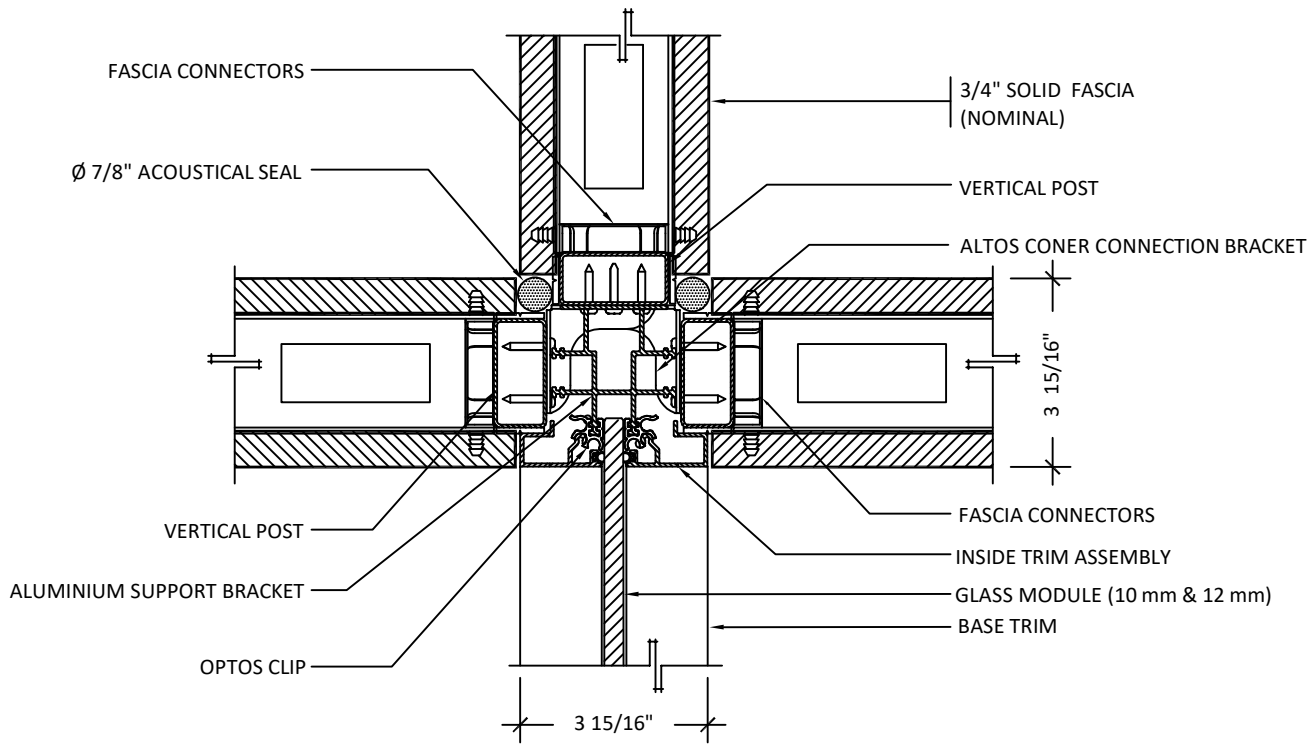
Publish Date: Feb 23 2026



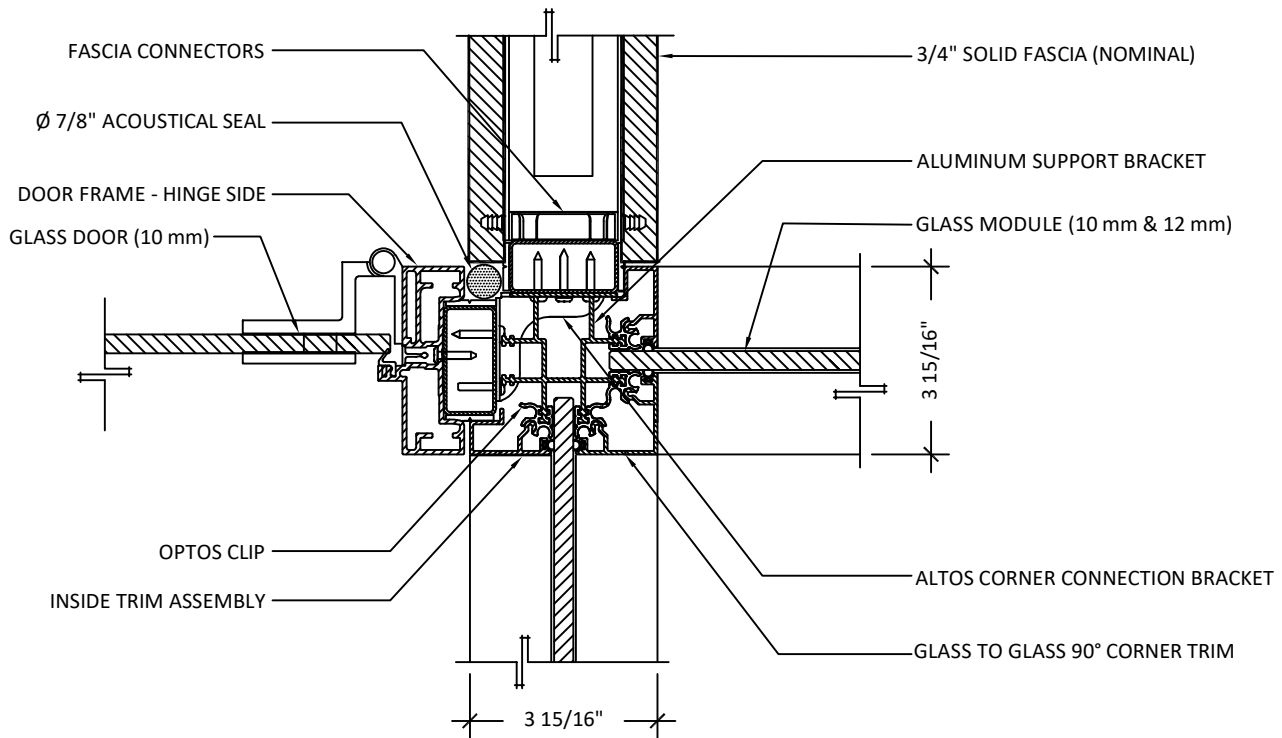
**1** SPECIAL-SECTION THROUGH FOUR-WAY CORNER CONNECTION WITH 1 ALTOS AND 3 OPTOS



**2** SPECIAL-SECTION THROUGH FOUR-WAY CORNER CONNECTION WITH 1 ALTOS TO 3 OPTOS WITH 2 OPTOS DOORS AT 180°



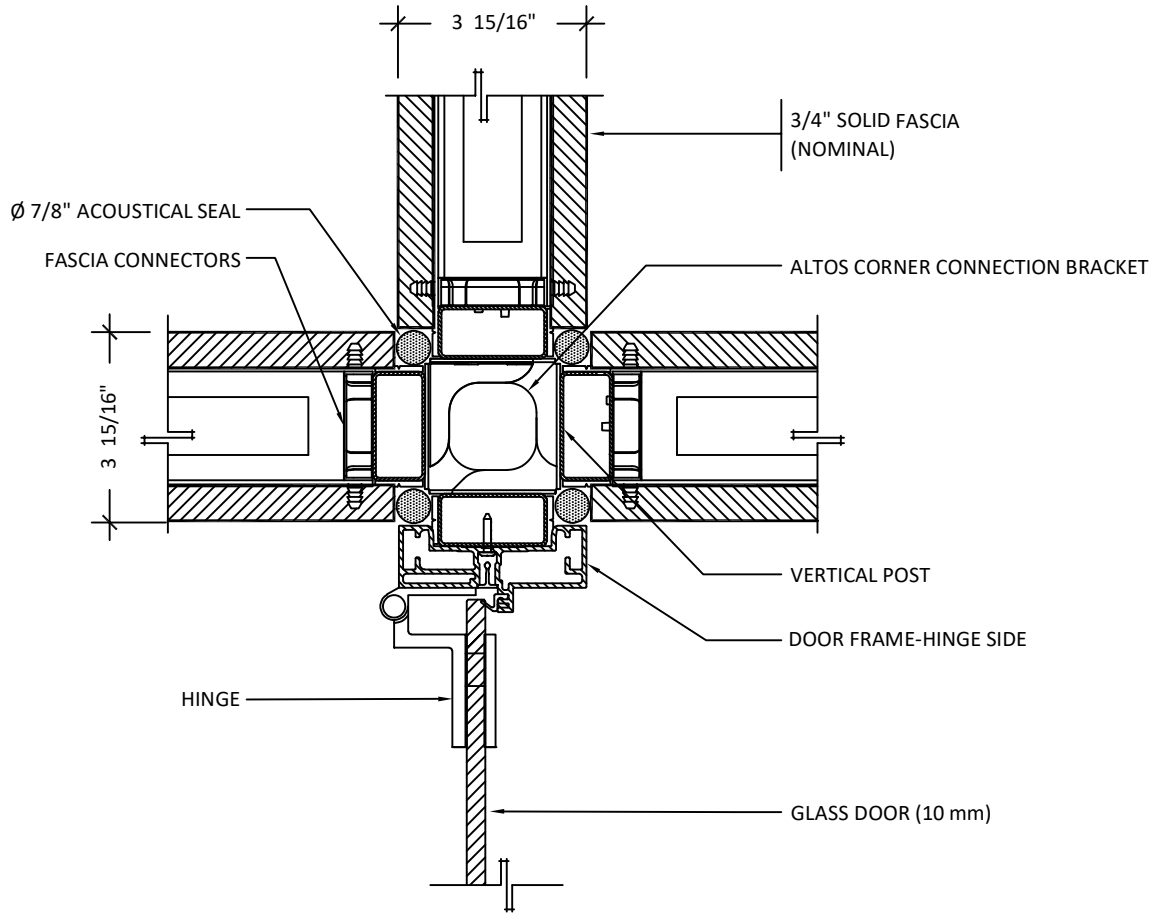
**1 SPECIAL-SECTION THROUGH FOUR-WAY CORNER CONNECTION WITH 3 ALTOS AND 1 OPTOS**



**2 SPECIAL-SECTION THROUGH FOUR-WAY CORNER CONNECTION WITH 1 ALTOS TO 3 OPTOS WITH 1 OPTOS DOORS AT 180°**

SECTION THROUGH FOUR -WAY CORNER CONNECTION

1'-0"=1'-0"



**1** SPECIAL-SECTION THROUGH FOUR-WAY CORNER CONNECTION  
WITH 3 ALTOS AND 1 OPTOS DOOR AT 90°

SECTION THROUGH FOUR-WAY OPTOS /ALTOS AND WALL END

1'-0"=1'-0"

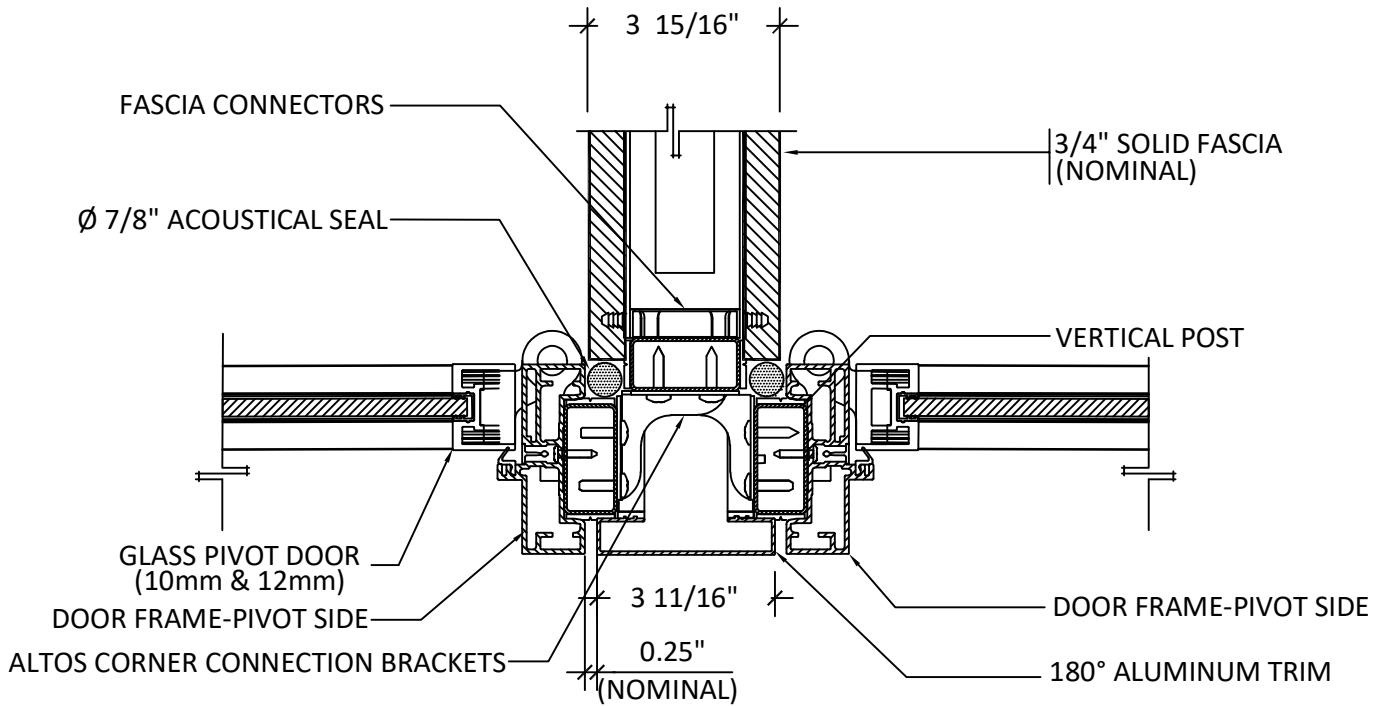
OPTOS DETAILING PACKAGE

NOV 01, 2024

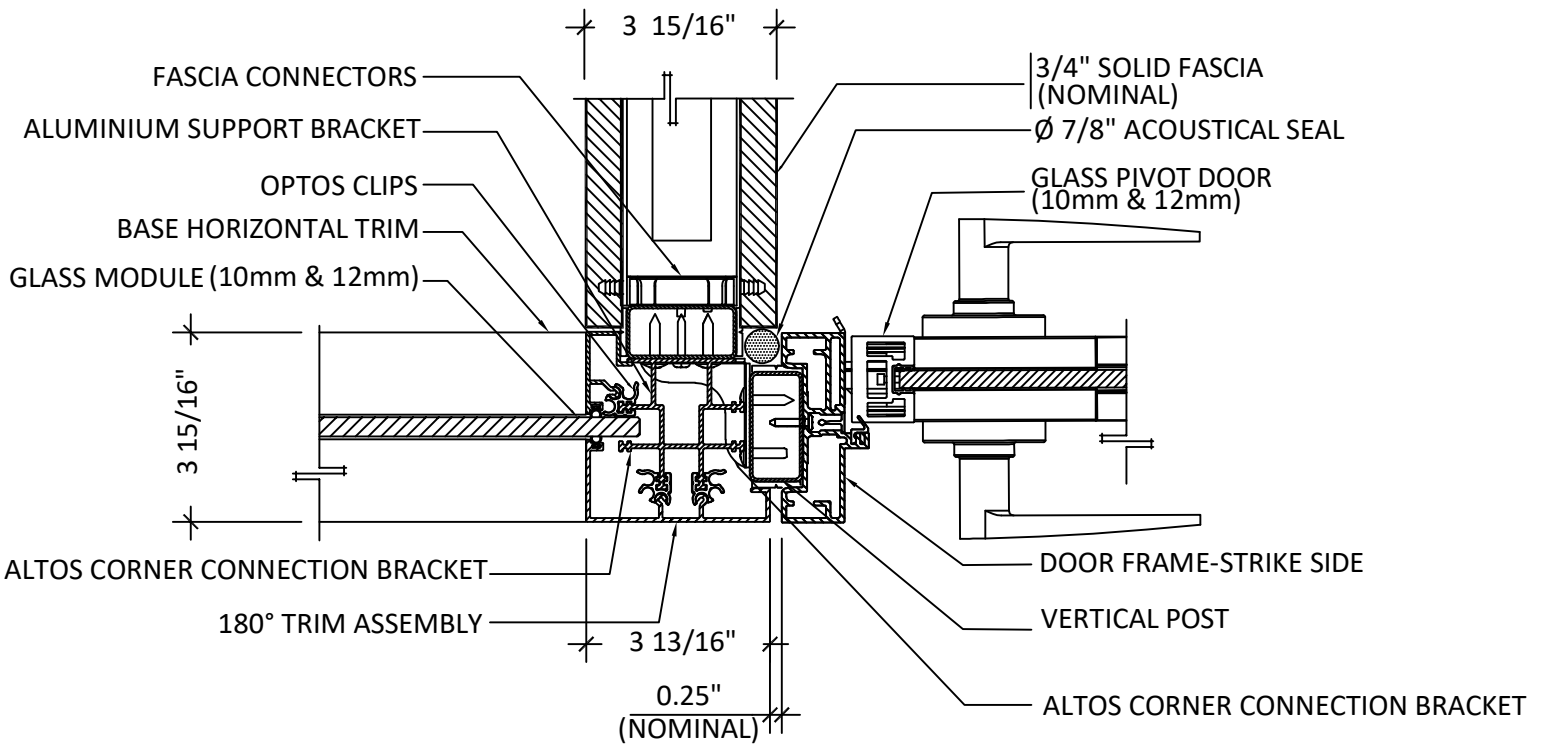
REV03

M19

This drawing is the property of Teknion Limited and is subject to return upon demand. It must not be copied or reproduced in any manner, nor submitted to any outside parties for examination without Teknion consent. This drawing must not be scaled, or used for construction purposes..



**1 SECTION THROUGH THREE-WAY CORNER CONNECTION WITH 1 ALTOS AND 2 OPTOS DOORS AT 180°**



**2 SECTION THROUGH THREE-WAY 180° CORNER CONNECTION WITH 1 ALTOS TO 2 OPTOS WITH 1 OPTOS DOOR AT 180°**

SECTION THROUGH THREE -WAY 180° CORNER CONNECTION

1'-0"=1'-0"

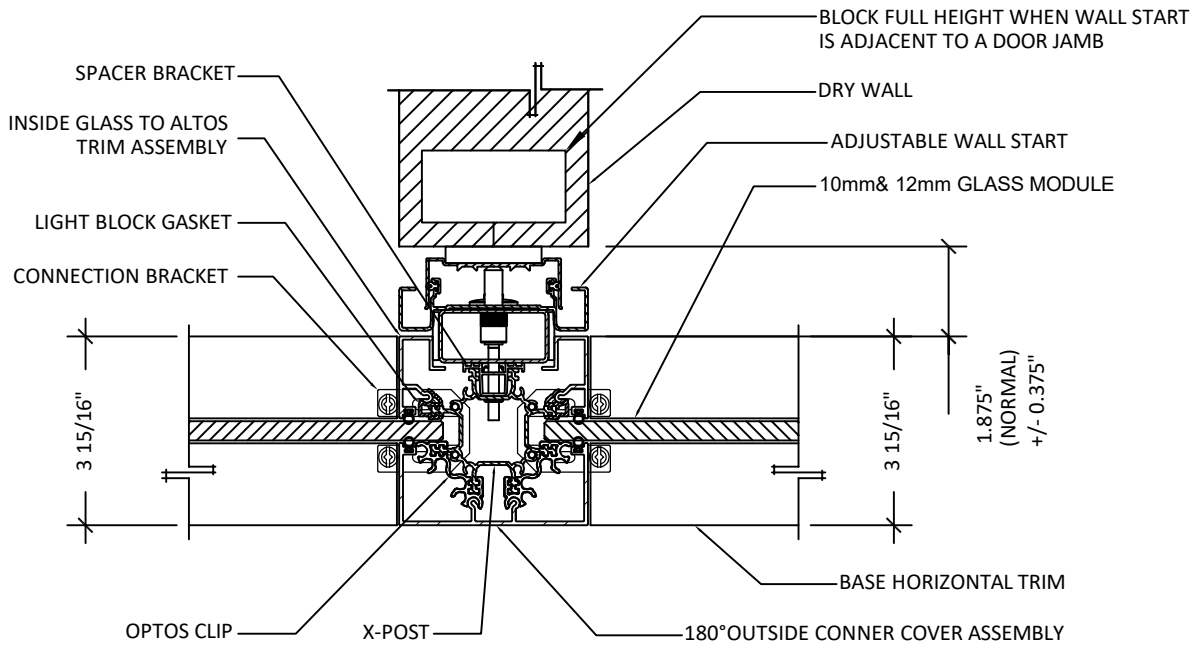
OPTOS DETAILING PACKAGE

JUNE 30, 2024

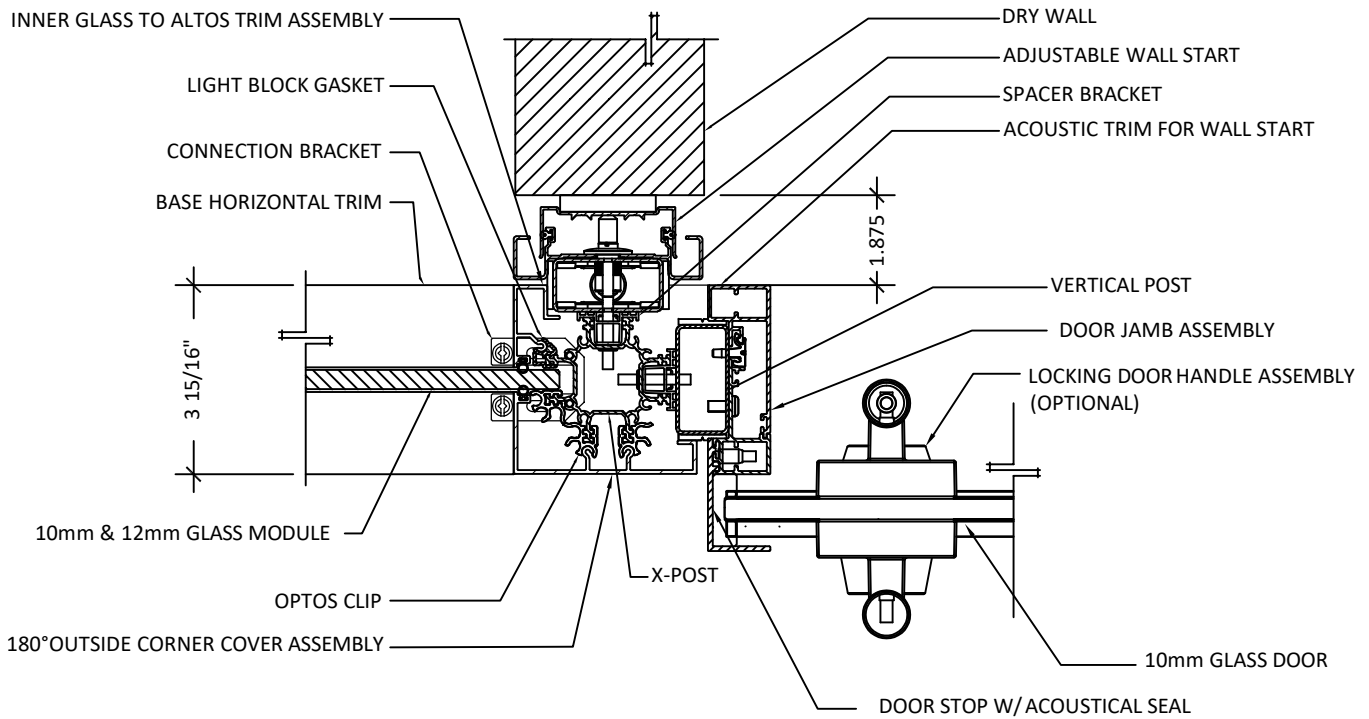
REV01

M40

This drawing is the property of Teknion Limited and is subject to return upon demand. It must not be copied or reproduced in any manner, nor submitted to any outside parties for examination without Teknion consent. This drawing must not be scaled, or used for construction purposes..



**1 SECTION THROUGH THREE WAY CONNECTION WITH DRY WALL FOR SLIDING DOOR RAIL DOOR END OR GLASS**



**2 SECTION THROUGH THREE WAY CONNECTION WITH DRY WALL FOR SLIDING DOOR RAIL DOOR END AND START**

THREE WAY CONNECTION FOR DOOR RAIL

1'-0"=1'-0"

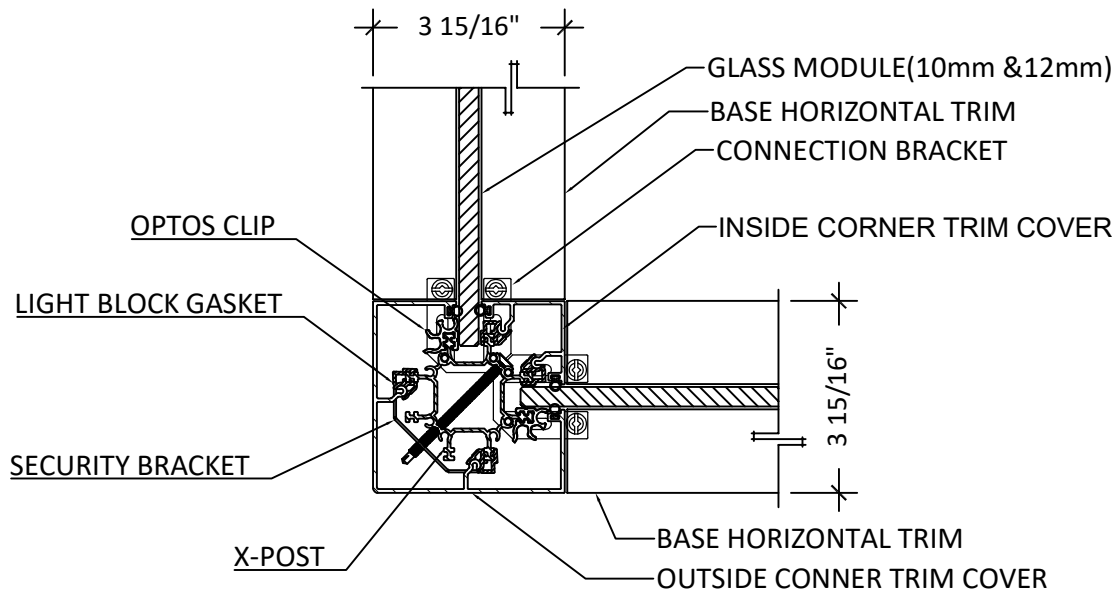
OPTOS DETAILING PACKAGE

JUNE 30, 2024

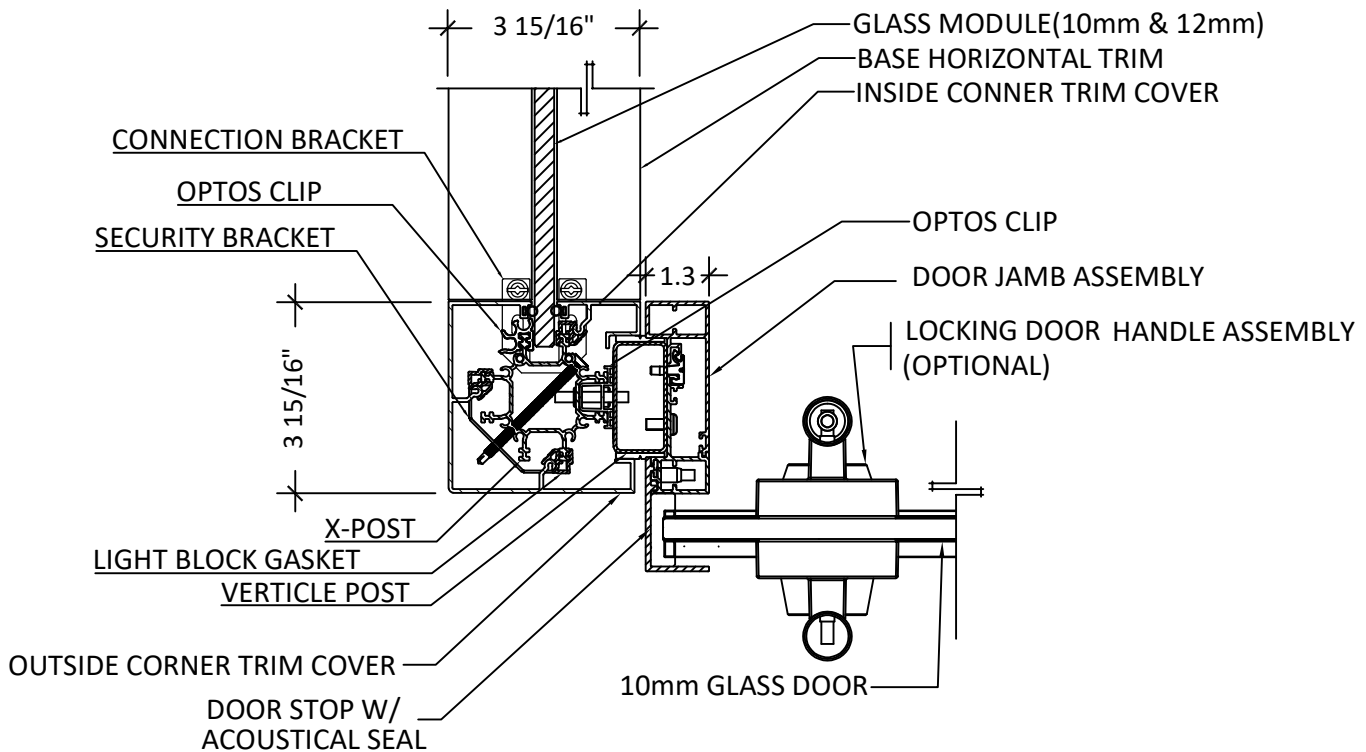
REV01

M41

This drawing is the property of Teknion Limited and is subject to return upon demand. It must not be copied or reproduced in any manner, nor submitted to any outside parties for examination without Teknion consent. This drawing must not be scaled, or used for construction purposes.



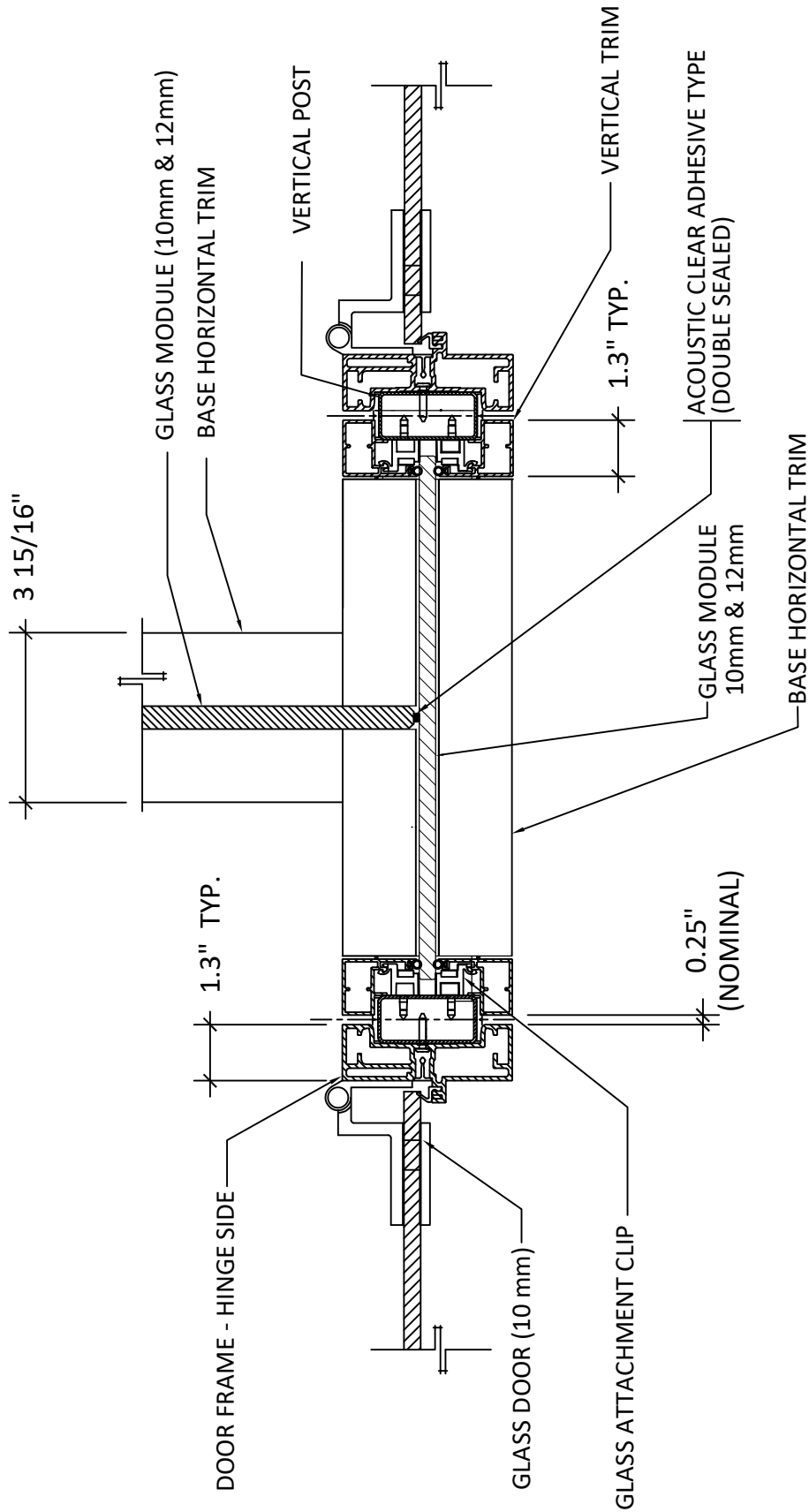
**1** SECTION THROUGH TWO WAY CONNECTION FOR SLIDING DOOR RAIL DOOR END OR GLASS



**2** SECTION THROUGH TWO WAY CONNECTION FOR SLIDING DOOR RAIL SLIDING DOOR START / SLIDING DOOR END

TWO WAY CONNECTION FOR SLIDING DOOR RAIL

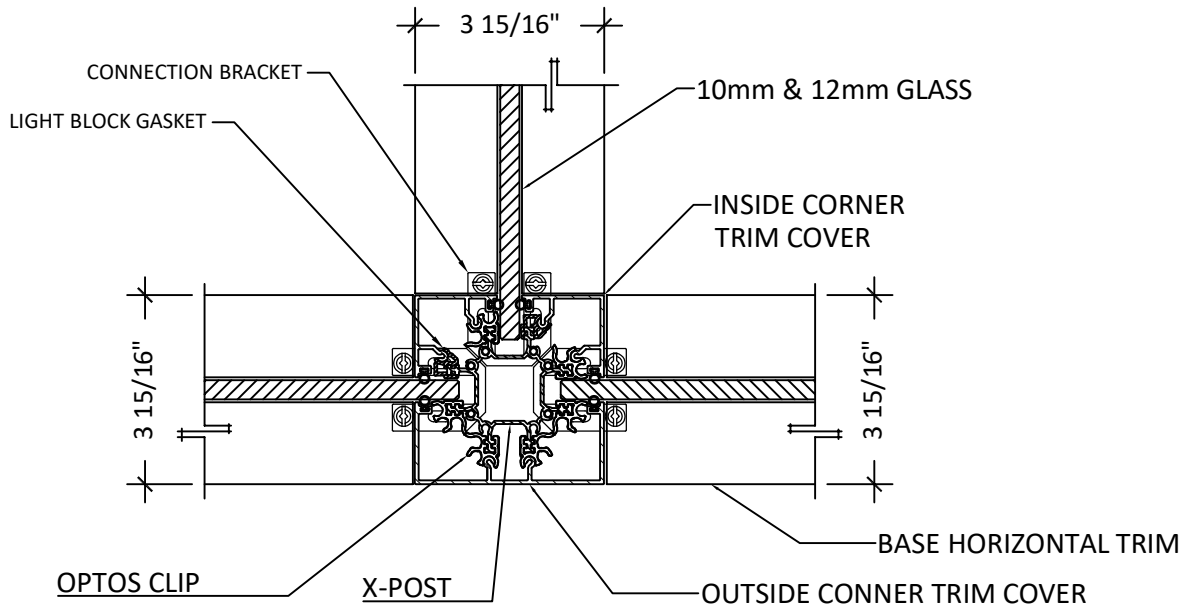
1'-0"=1'-0"



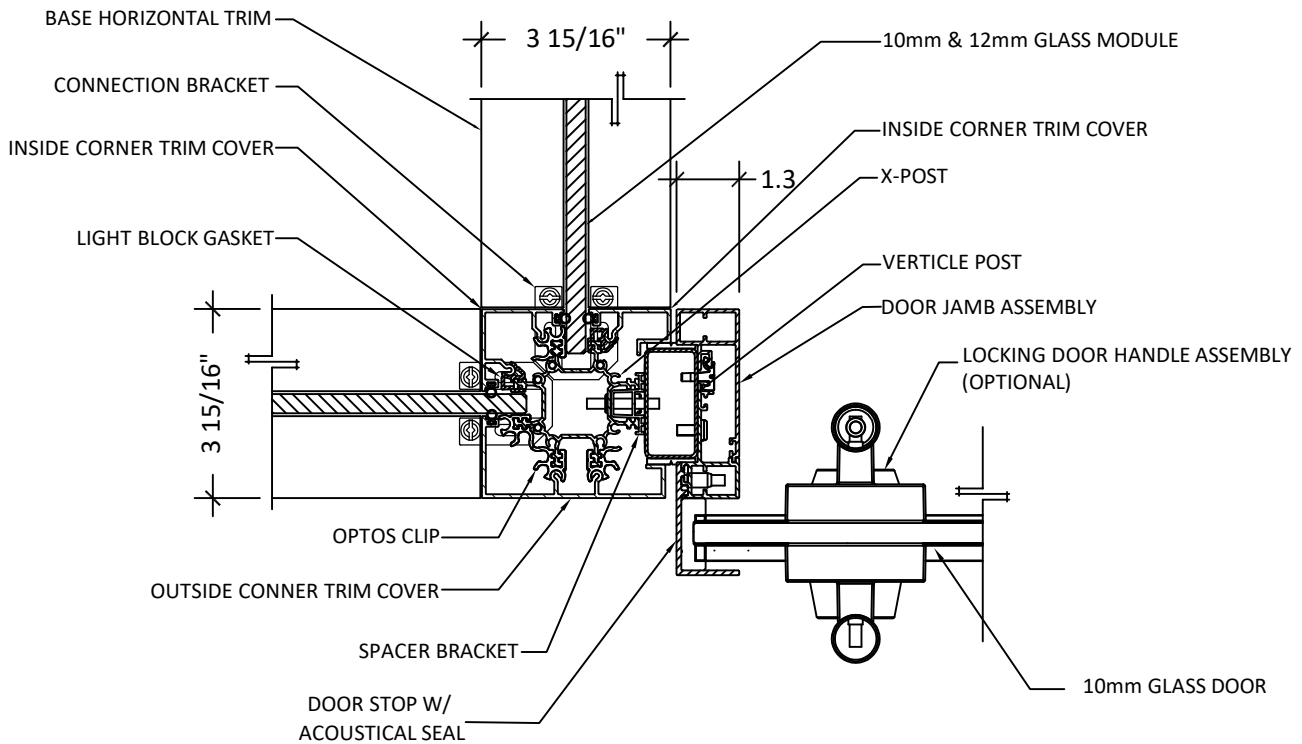
**1 SECTION THROUGH THREE-WAY CORNER CONNECTION  
WITH 1 ALTOS AND 2 DOORS AT 180°**

SECTION THROUGH THREE-WAY CORNER CONNECTION BETWEEN DOORS

1'-0"=1'-0"



**1** SECTION THROUGH THREE WAY CONNECTION FOR DOOR RAIL DOOR END OR GLASS



**2** SECTION THROUGH THREE WAY CONNECTION FOR DOOR RAIL SLIDING DOOR START / SLIDING DOOR END

THREE WAY CONNECTION FOR DOOR RAIL

1'-0"=1'-0"

OPTOS DETAILING PACKAGE

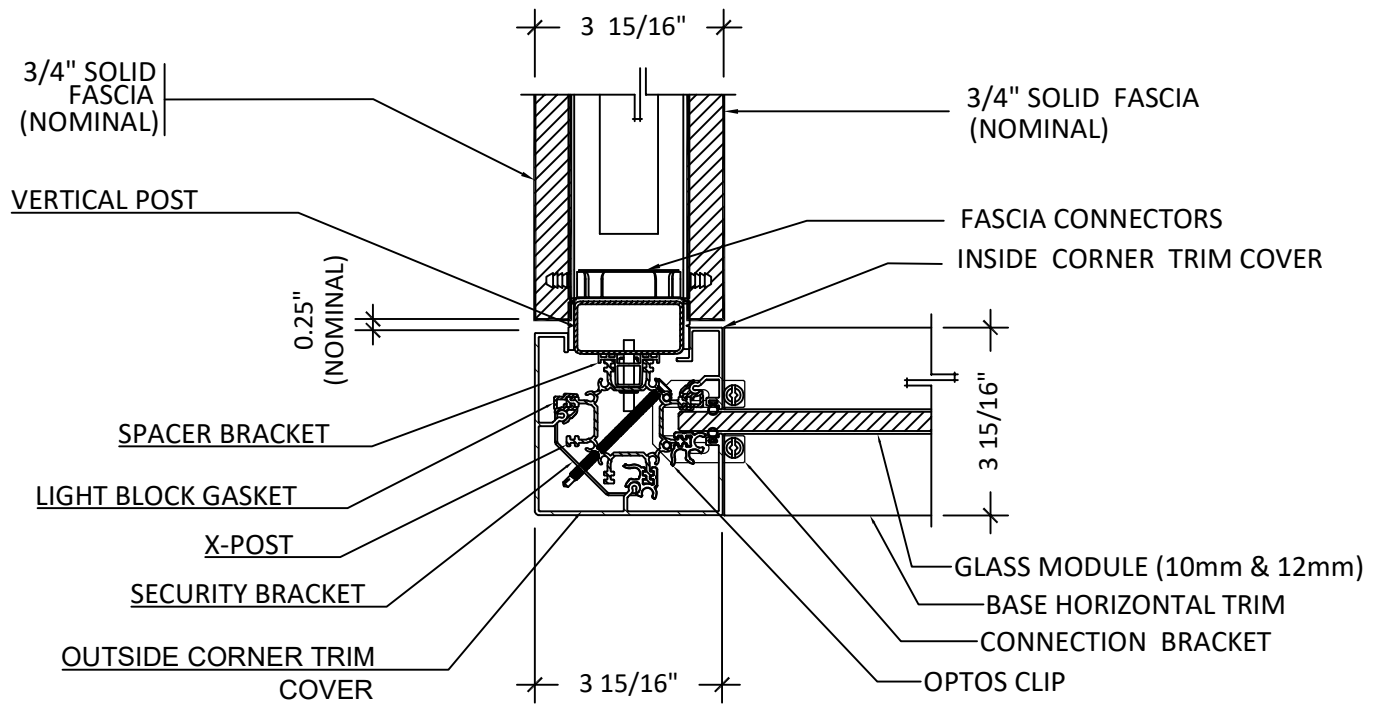
JUNE 30, 2024

REV02

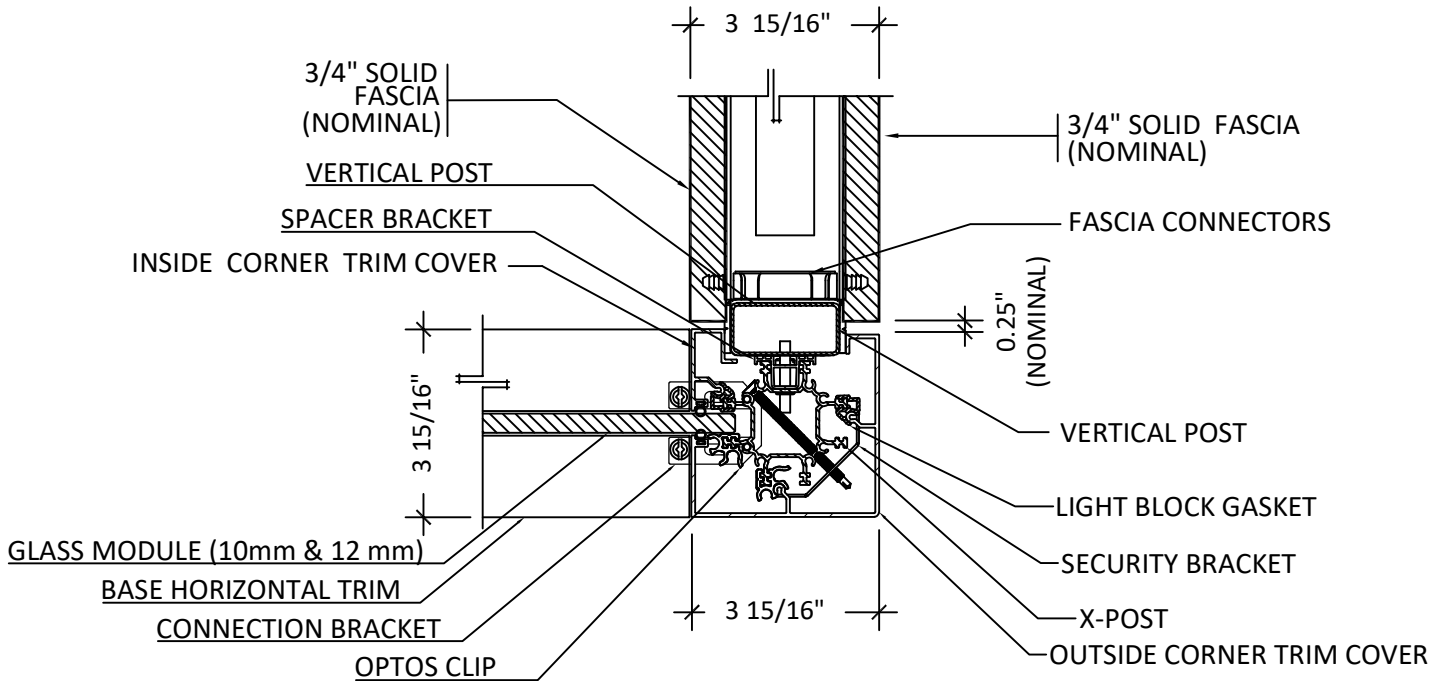
M44

This drawing is the property of Teknion Limited and is subject to return upon demand. It must not be copied or reproduced in any manner, nor submitted to any outside parties for examination without Teknion consent. This drawing must not be scaled, or used for construction purposes.

Publish Date: Feb 23 2025 **teknion**



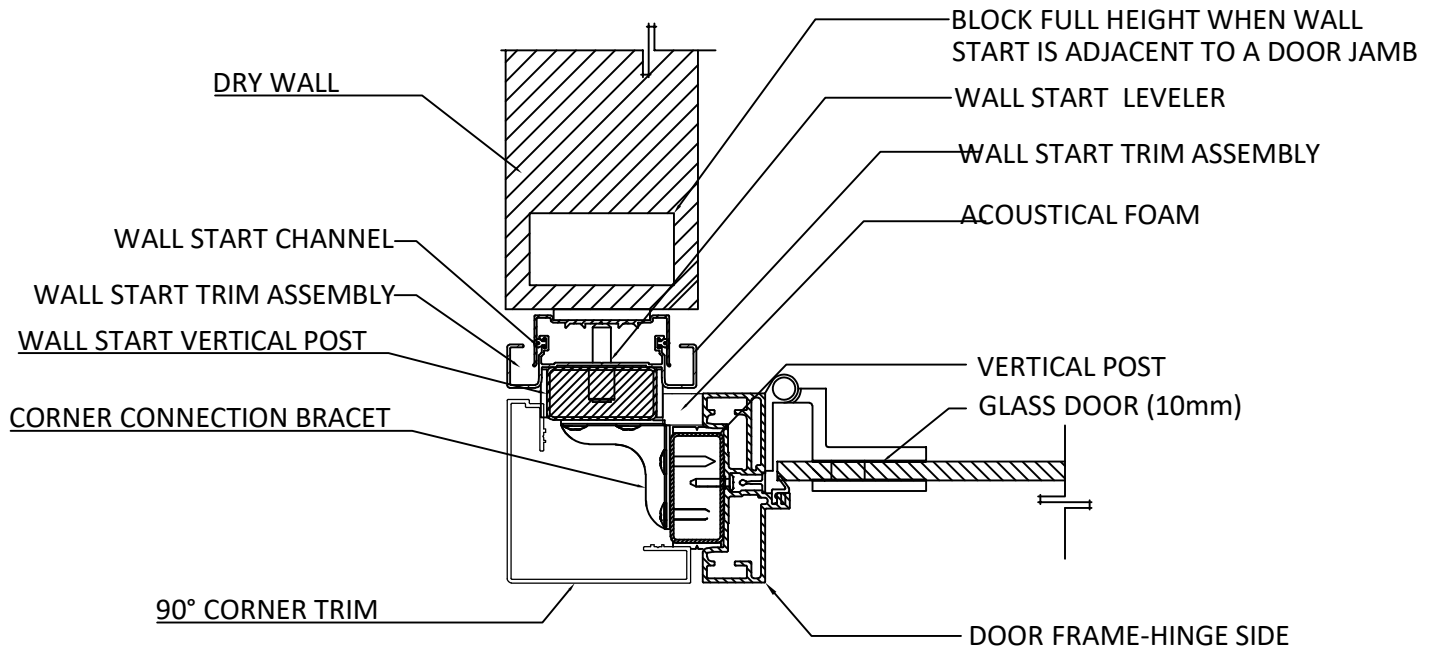
**1** SECTION THROUGH TWO WAY 90 °CONNECTION WITH ALTOS RIGHT SIDE



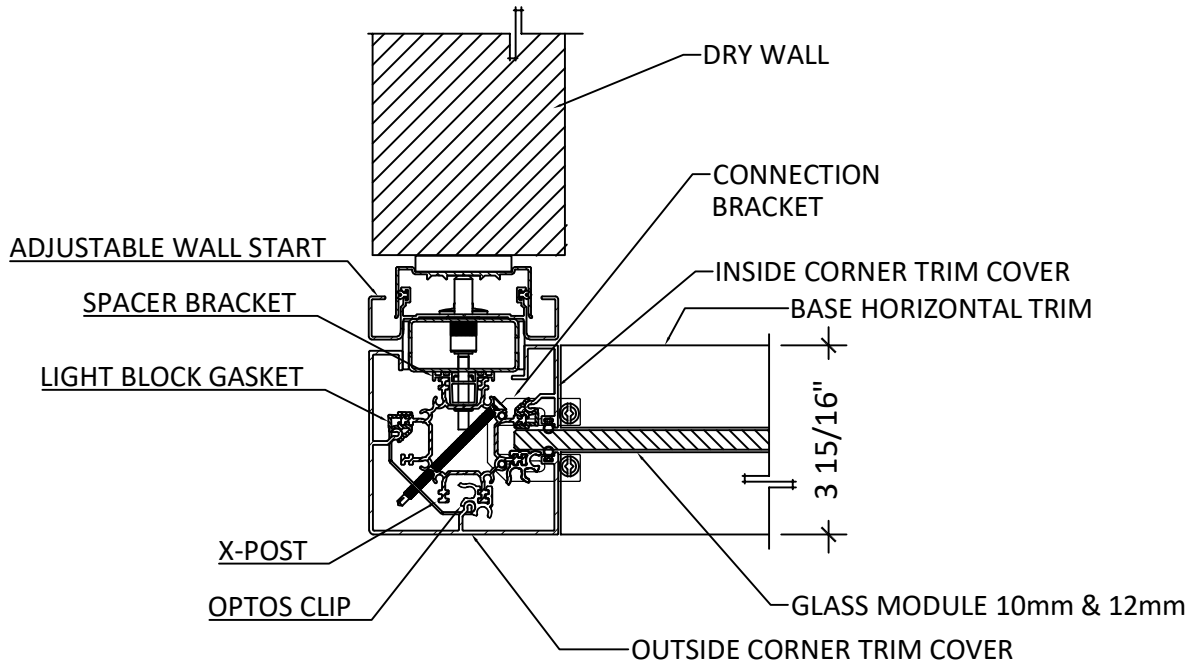
**2** SECTION THROUGH TWO WAY 90 °CONNECTION WITH ALTOS LEFT SIDE

TWO WAY 90 °CONNECTION WITH ALTOS

1'-0"=1'-0"



**1 SECTION THROUGH TWO WAY CONNECTION WITH DRYWALL FOR DOOR**



**2 SECTION THROUGH TWO WAY CONNECTION WITH DRYWALL FOR DOOR END OR GLASS**

TWO WAY CONNECTION WITH DRY WALL

1'-0"=1'-0"

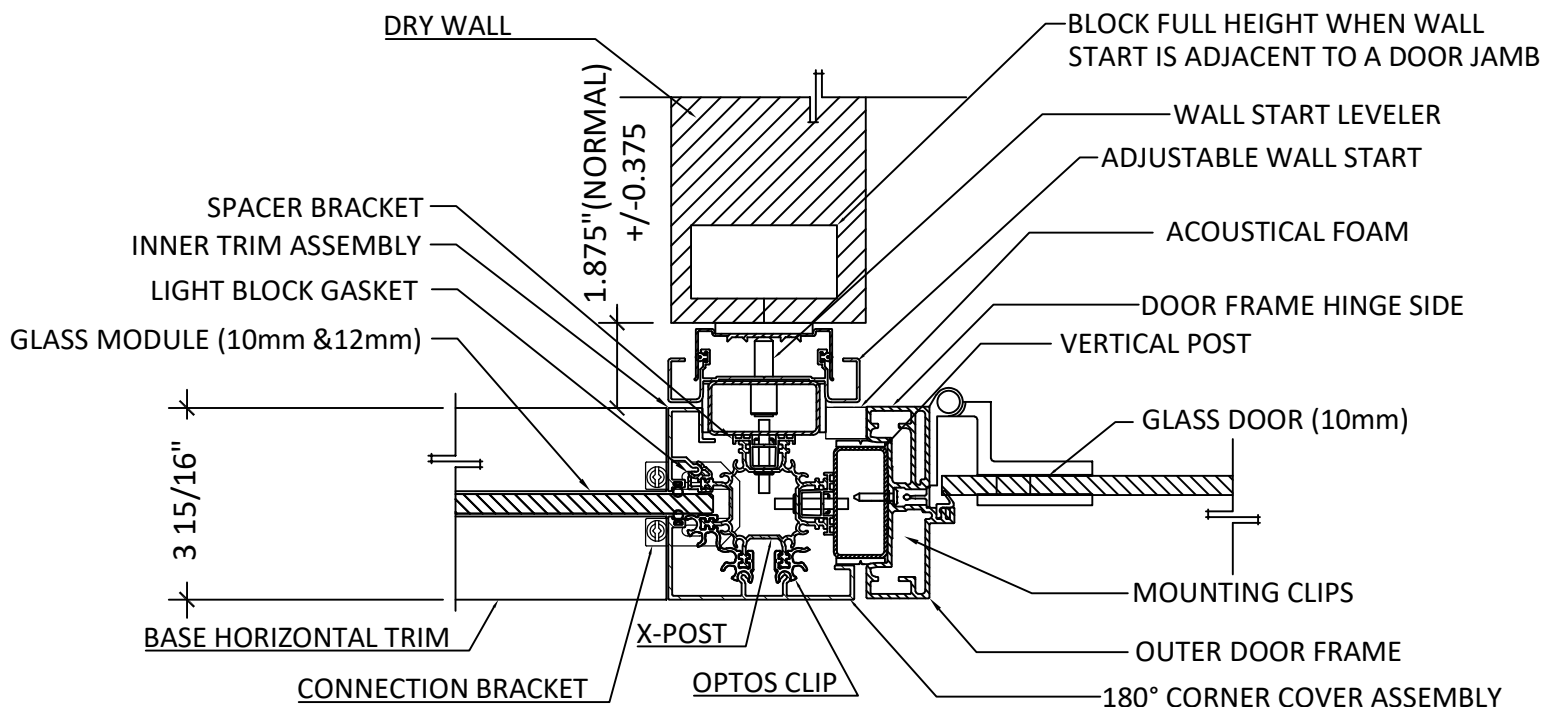
OPTOS DETAILING PACKAGE

JUNE 30, 2024

REV02

M46

This drawing is the property of Teknion Limited and is subject to return upon demand. It must not be copied or reproduced in any manner, nor submitted to any outside parties for examination without Teknion consent. This drawing must not be scaled, or used for construction purposes.



**1 SECTION THROUGH THREE WAY CONNECTION WITH DRYWALL FOR ONE DOOR**

THREE WAY CONNECTION WITH DRY WALL FOR ONE DOOR OR GLASS

1'-0"=1'-0"

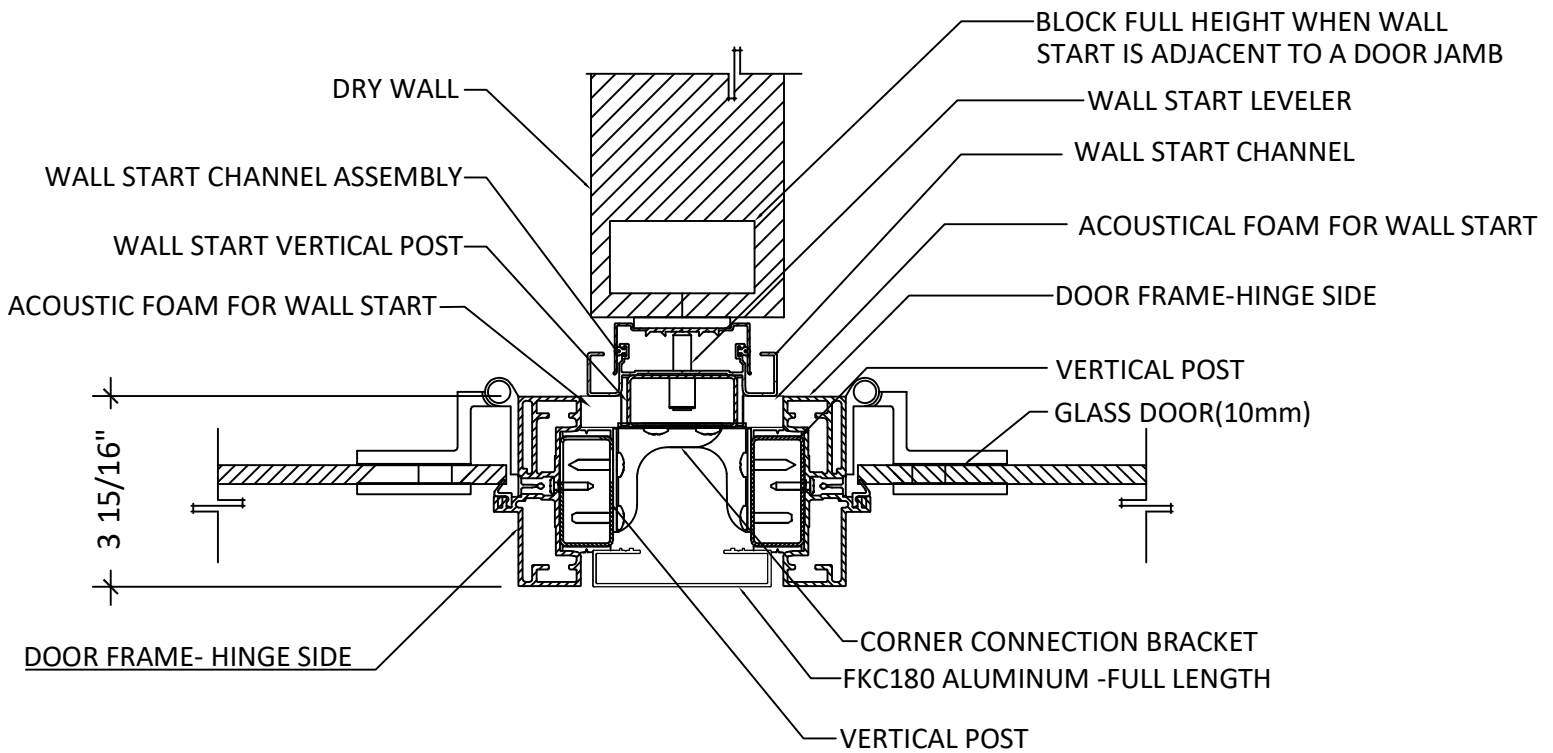
OPTOS DETAILING PACKAGE

NOV 01, 2024

REV03

M47

This drawing is the property of Teknion Limited and is subject to return upon demand. It must not be copied or reproduced in any manner, nor submitted to any outside parties for examination without Teknion consent. This drawing must not be scaled, or used for construction purposes.



**1 SECTION THROUGH THREE WAY CONNECTION WITH DRYWALL FOR TWO DOORS**

THREE WAY CONNECTION WITH DRY WALL FOR TWO DOORS

1'-0"=1'-0"

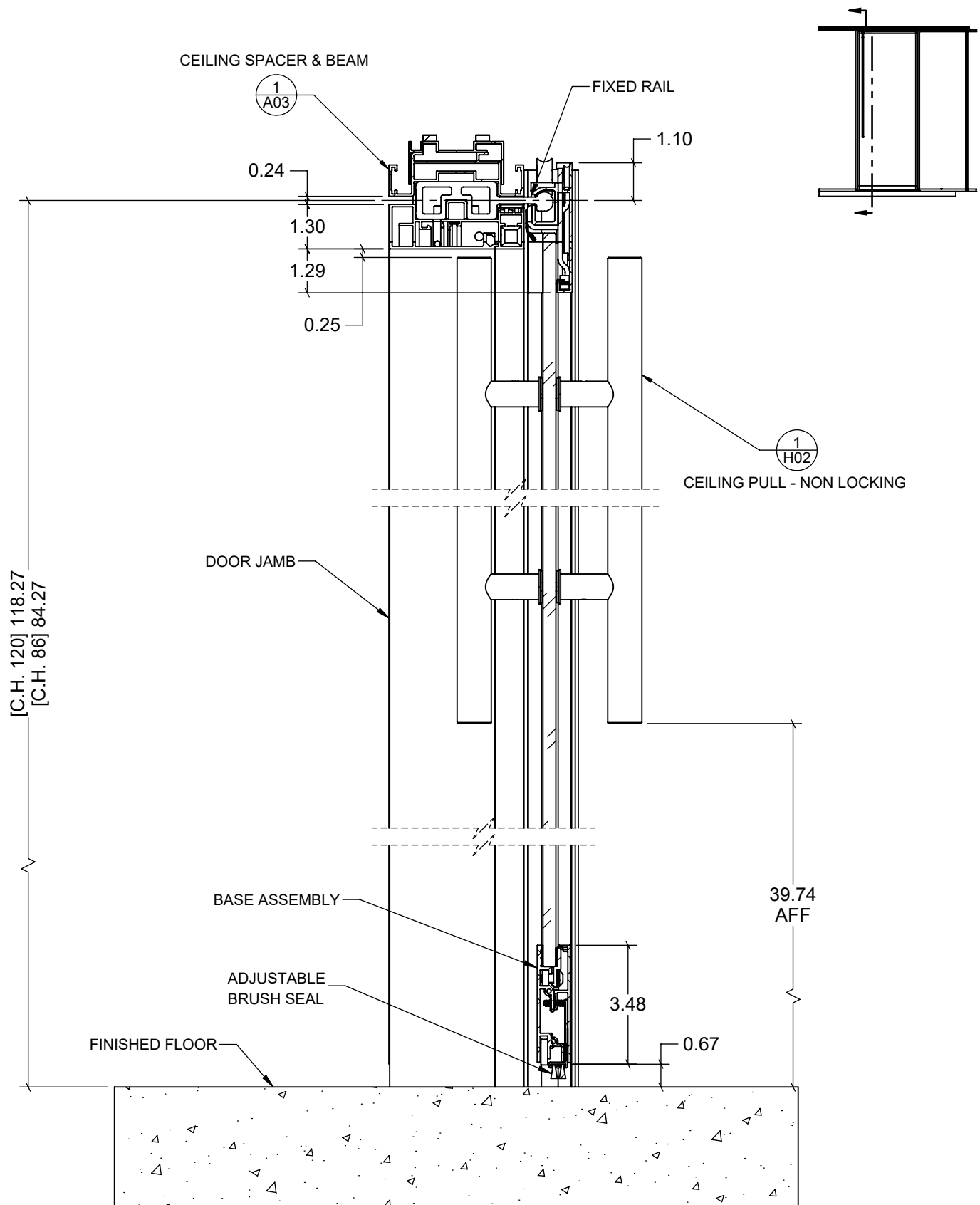
OPTOS DETAILING PACKAGE

JUNE 30, 2024

REV02

M48

This drawing is the property of Teknion Limited and is subject to return upon demand. It must not be copied or reproduced in any manner, nor submitted to any outside parties for examination without Teknion consent. This drawing must not be scaled, or used for construction purposes.



1/V  
S05

GLASS SLIDING DOOR LEAF SINGLE - FIXED RAIL  
WITH JAMB AND CEILING PULL - NON LOCKING

OPTOS LP - DOORS SLIDING

MODIFIED SEPTEMBER 29, 2024

UNIT INCH

SCALE 1:4

THIS DRAWING IS THE PROPERTY OF TEKNION LIMITED AND IS SUBJECT TO RETURN UPON DEMAND. IT MUST NOT BE SUBMITTED TO ANY OUTSIDE PARTIES FOR EXAMINATION WITHOUT TEKNION CONSENT. THIS DRAWING MUST NOT BE SCALED OR USED FOR CONSTRUCTION PURPOSES

Publish Date: Feb 23 2026

teknion

BASE FRAME & CHANNEL

2  
A03

3.94

1.60

VERTICAL POST

VERTICAL TRIM

0.25

1.30

2.22

DOOR JAMB

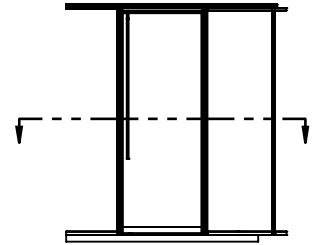
DOOR STOP WITH  
ACOUSTIC SEAL

1  
H02

CEILING PULL - NON LOCKING

BOTTOM  
GUIDE

REAR BRUSH SEAL



1/HC GLASS SLIDING DOOR LEAF SINGLE - FIXED RAIL  
S05 WITH JAMB AND CEILING PULL - NON LOCKING

OPTOS LP - DOORS SLIDING

MODIFIED SEPTEMBER 29, 2024

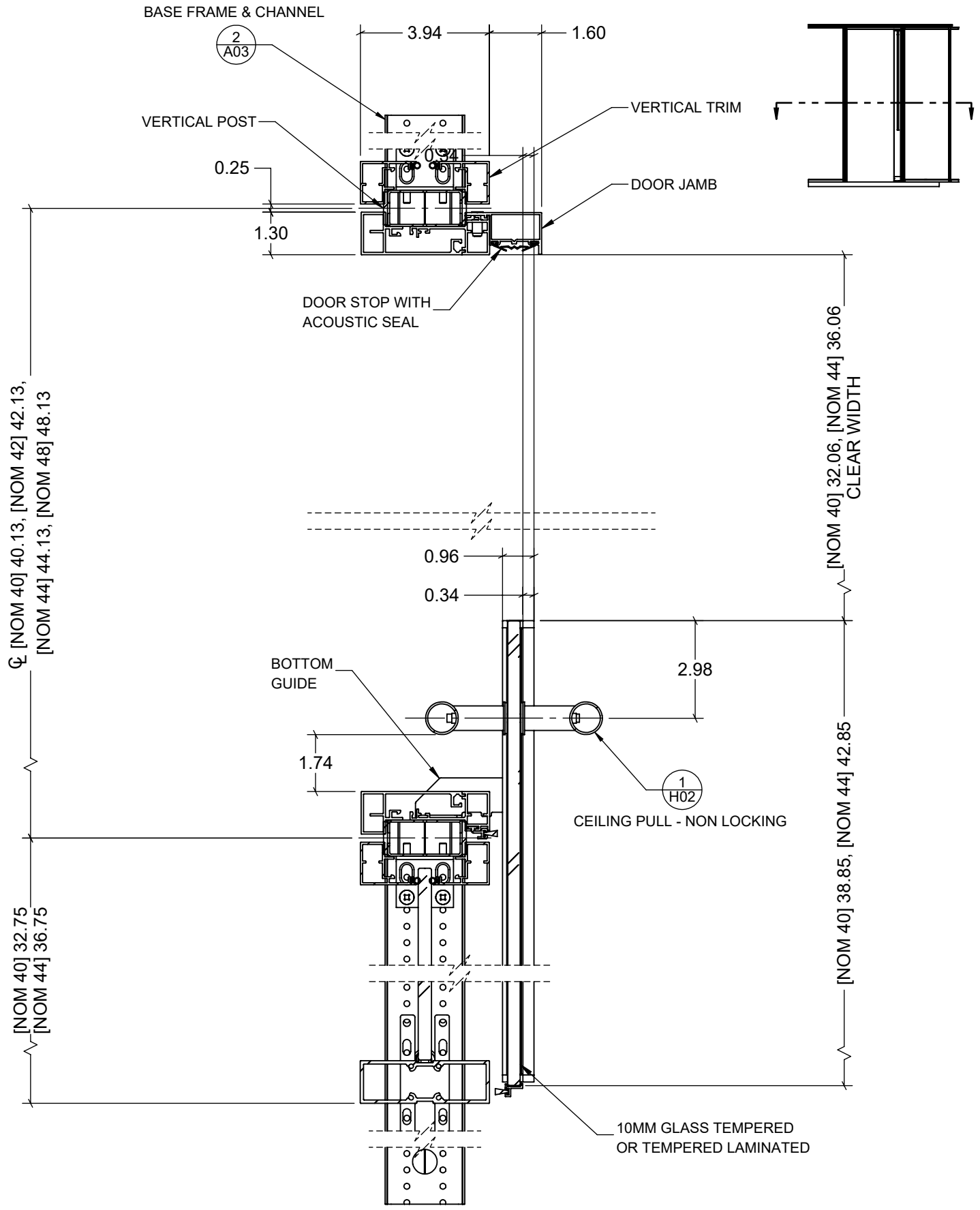
UNIT INCH

SCALE 1:4

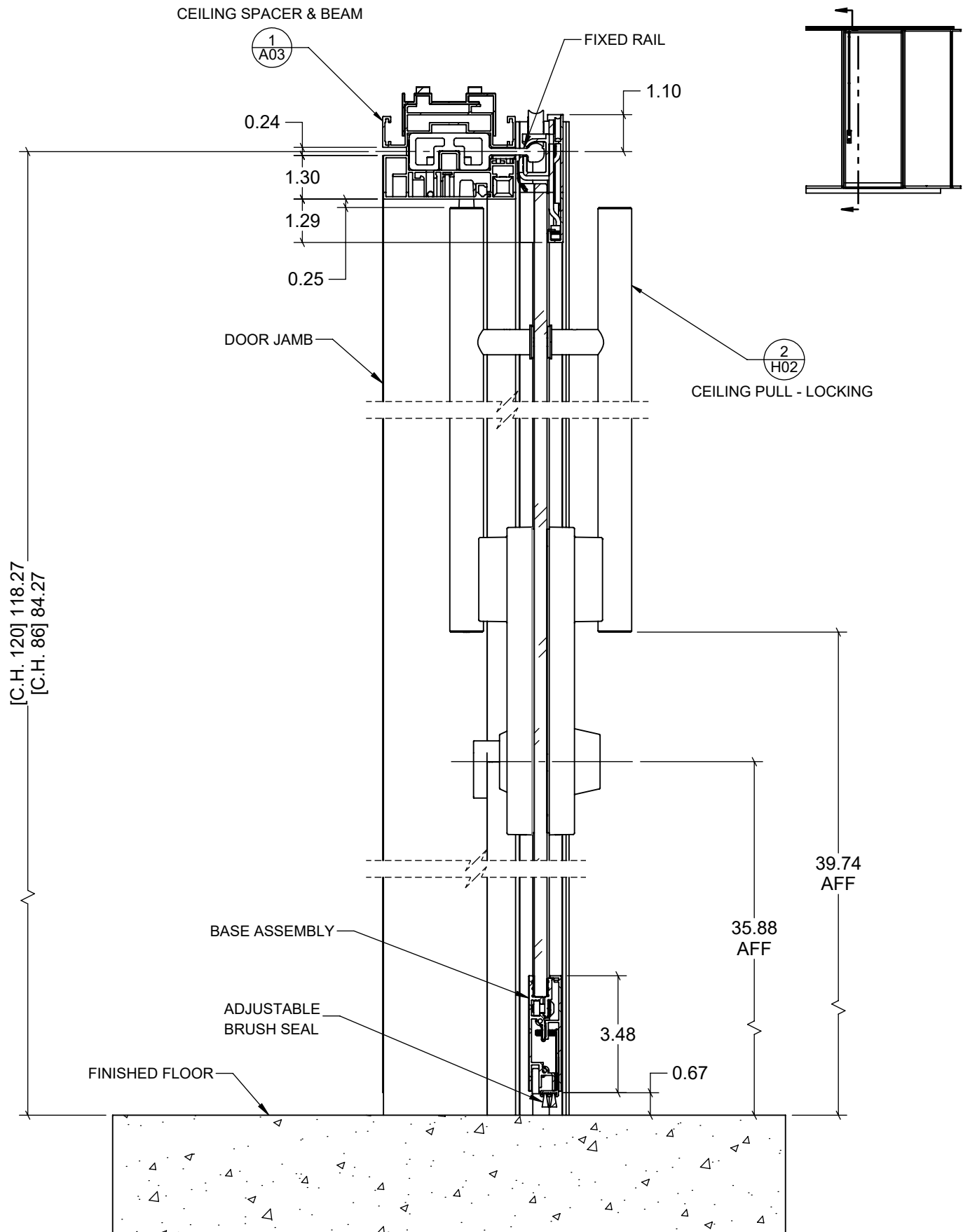
THIS DRAWING IS THE PROPERTY OF TEKNION LIMITED AND IS SUBJECT TO RETURN UPON DEMAND. IT MUST NOT BE SUBMITTED TO ANY OUTSIDE PARTIES FOR EXAMINATION WITHOUT TEKNION CONSENT. THIS DRAWING MUST NOT BE SCALED OR USED FOR CONSTRUCTION PURPOSES

Publish Date: Feb 23 2026

teknion



1/HO
S05
**GLASS SLIDING DOOR LEAF SINGLE - FIXED RAIL**  
**WITH JAMB AND CEILING PULL - NON LOCKING**



2/V  
S05

GLASS SLIDING DOOR LEAF SINGLE - FIXED RAIL  
WITH JAMB AND CEILING PULL - LOCKING

OPTOS LP - DOORS SLIDING

MODIFIED SEPTEMBER 29, 2024

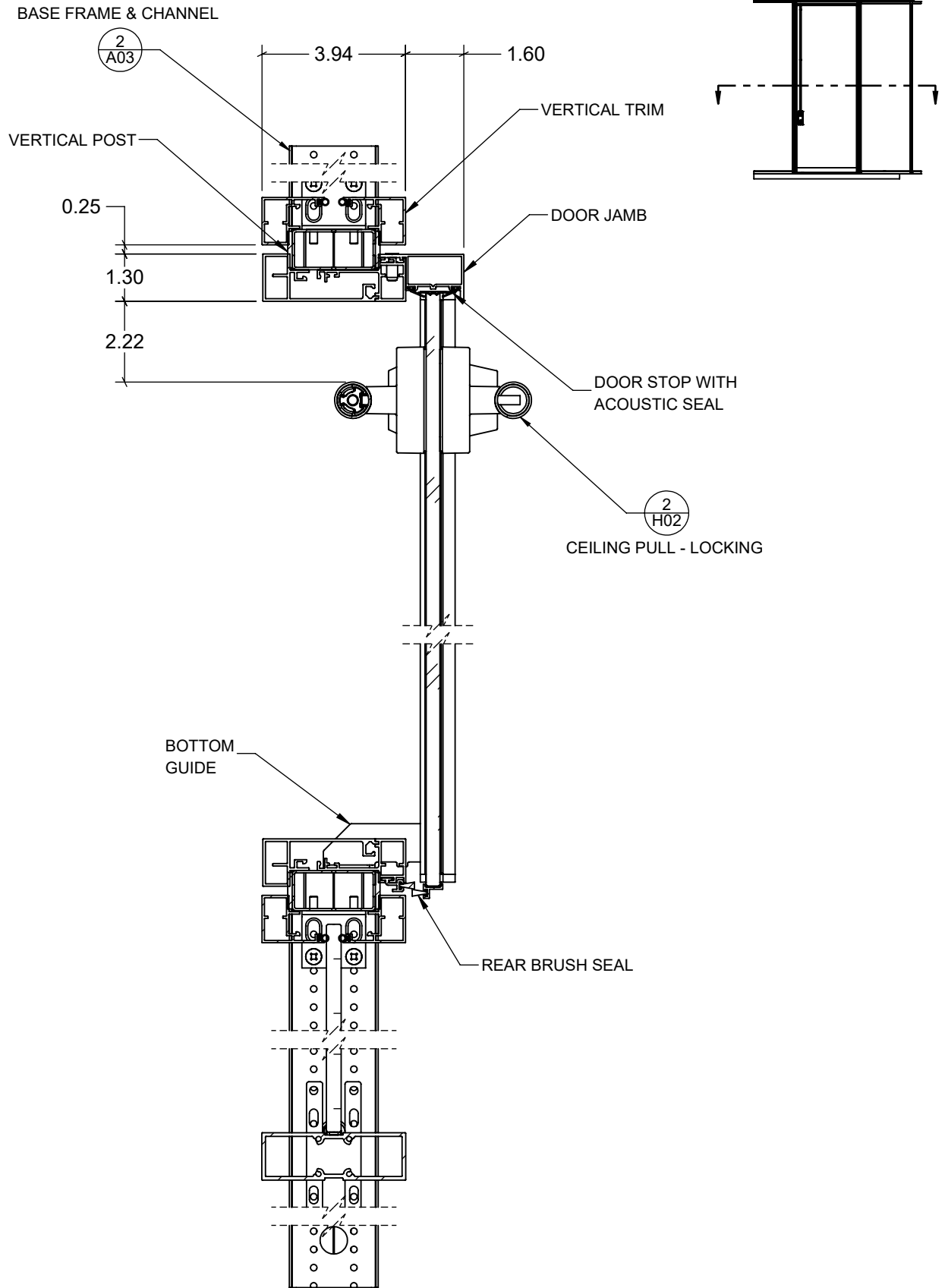
UNIT INCH

SCALE 1:4

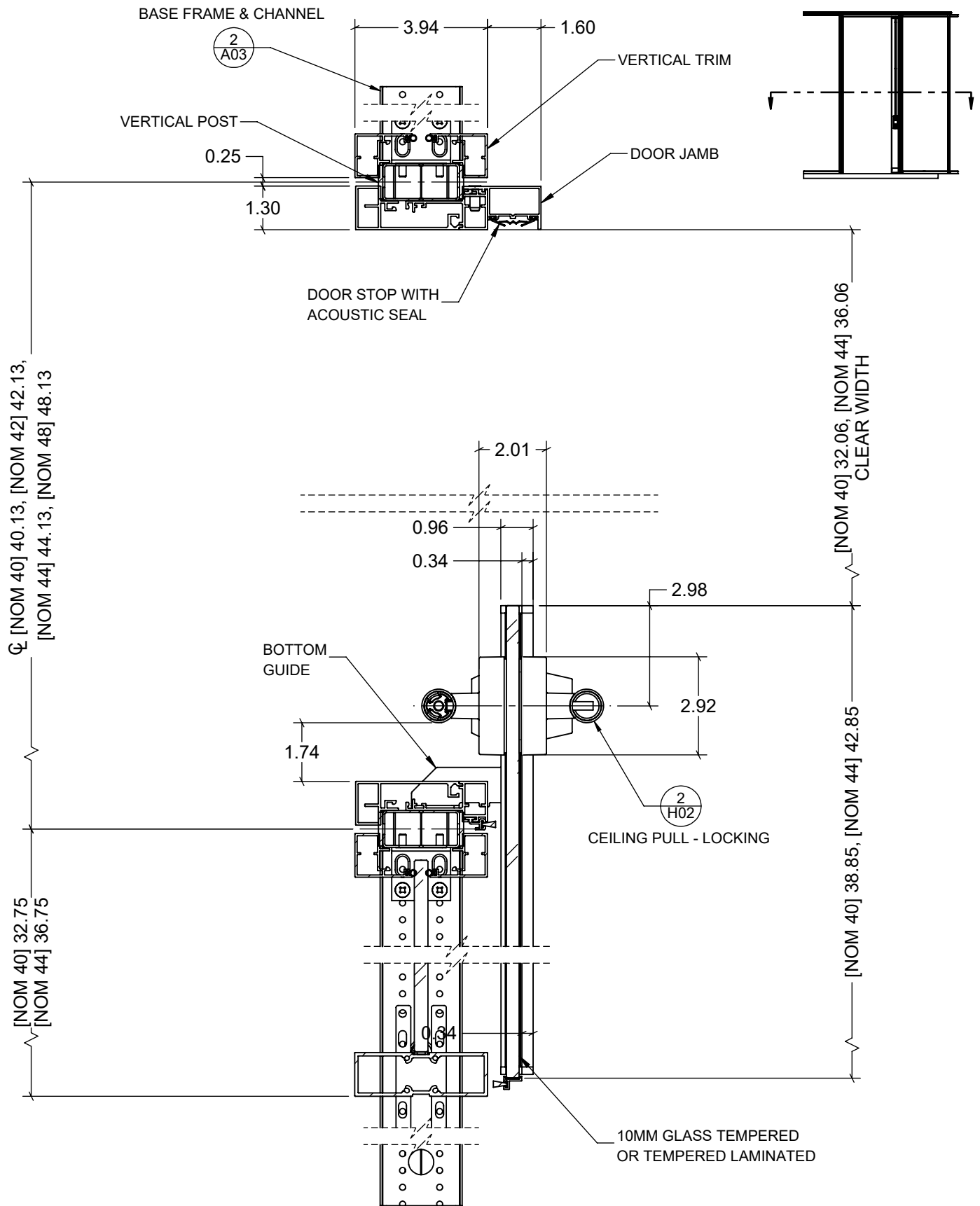
THIS DRAWING IS THE PROPERTY OF TEKNION LIMITED AND IS SUBJECT TO RETURN UPON DEMAND. IT MUST NOT BE SUBMITTED TO ANY OUTSIDE PARTIES FOR EXAMINATION WITHOUT TEKNION CONSENT. THIS DRAWING MUST NOT BE SCALED OR USED FOR CONSTRUCTION PURPOSES

Publish Date: Feb 23 2026

teknion



2/HC GLASS SLIDING DOOR LEAF SINGLE - FIXED RAIL  
 S05 WITH JAMB AND CEILING PULL - LOCKING



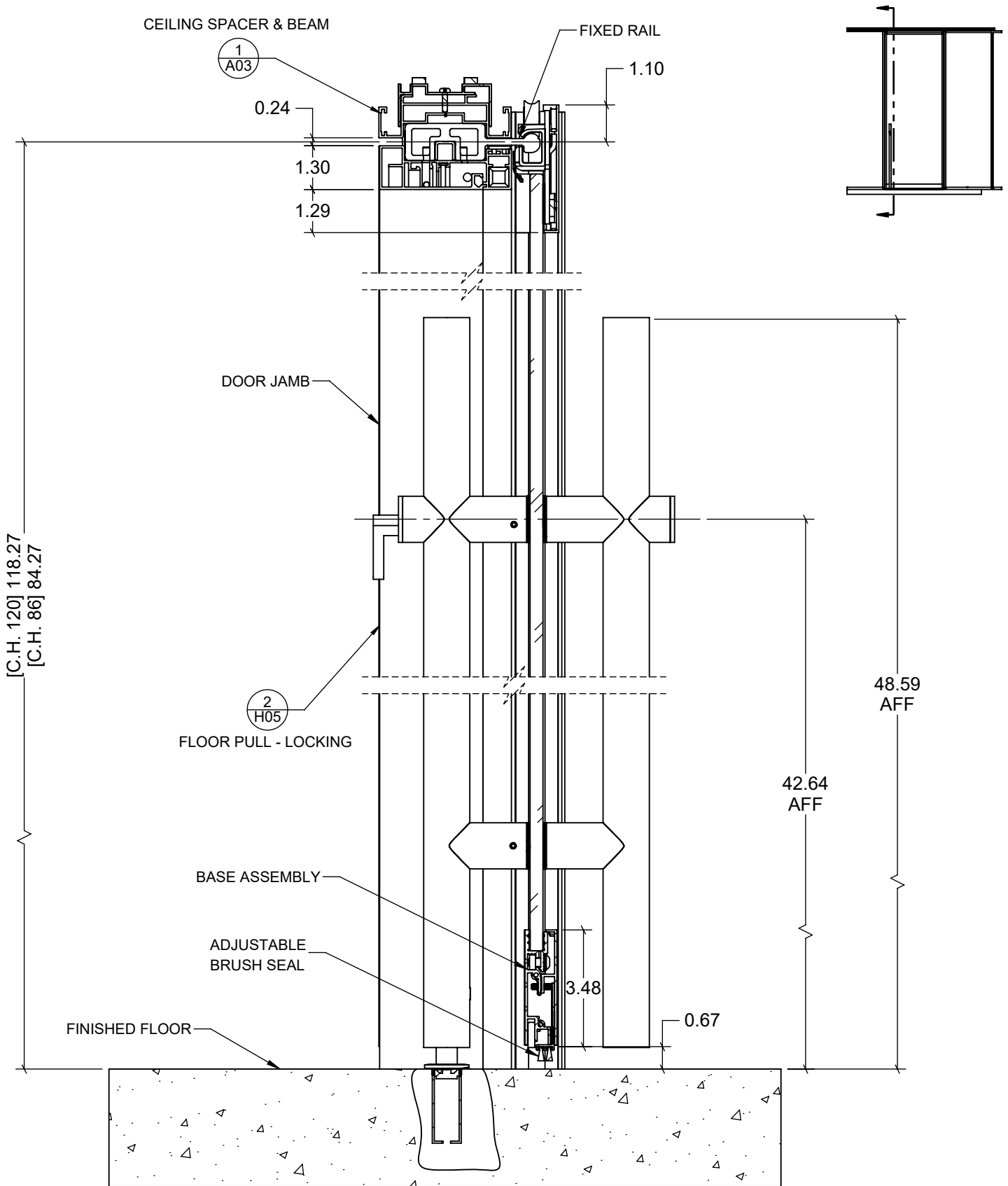
2/HO GLASS SLIDING DOOR LEAF SINGLE - FIXED RAIL  
 S05 WITH JAMB AND CEILING PULL - LOCKING

OPTOS LP - DOORS SLIDING

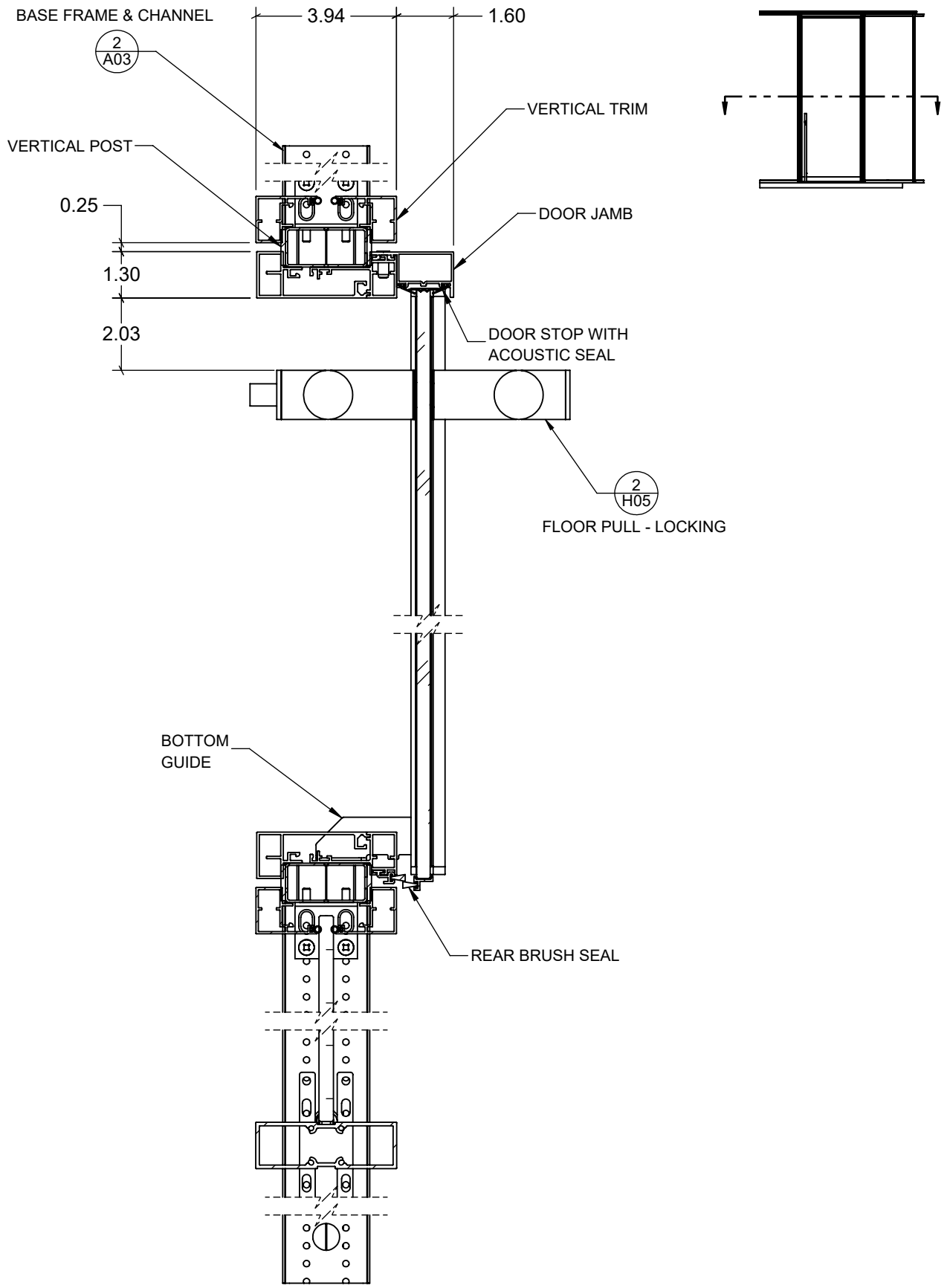
MODIFIED SEPTEMBER 29, 2024

UNIT INCH

SCALE 1:4

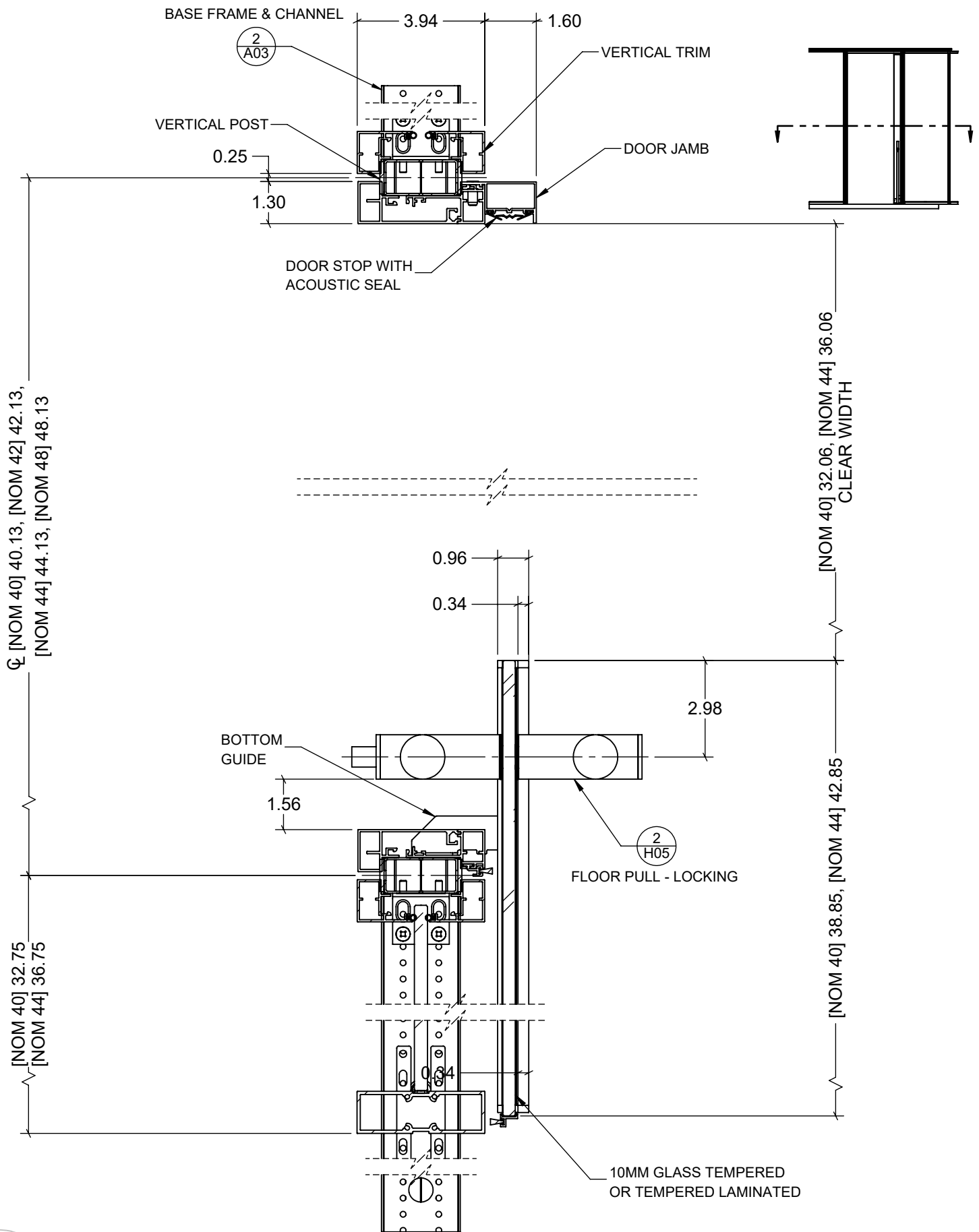


3/V GLASS SLIDING DOOR LEAF SINGLE - FIXED RAIL  
 S05 WITH JAMB AND FLOOR PULL - LOCKING

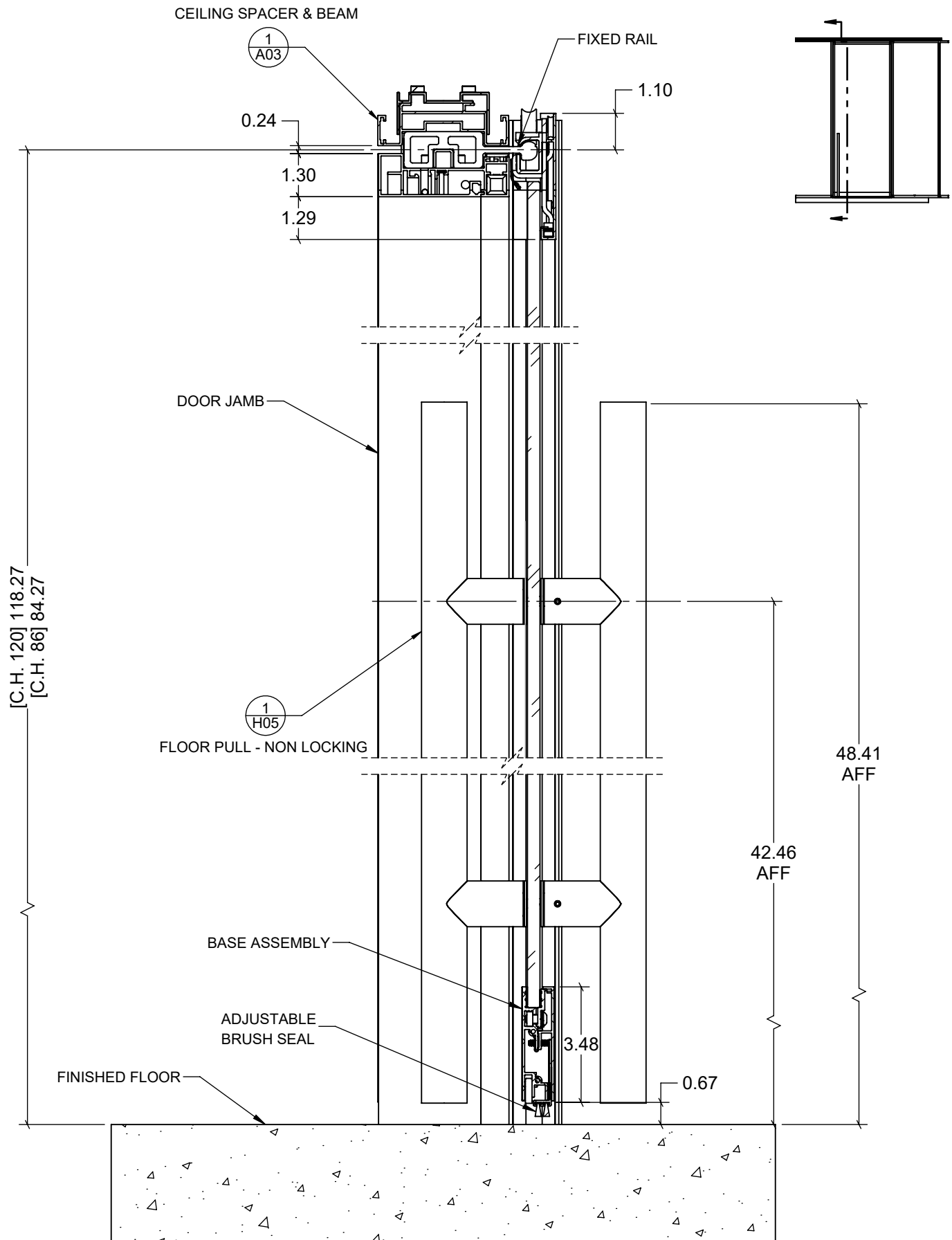


3/HC  
S05

GLASS SLIDING DOOR LEAF SINGLE - FIXED RAIL  
WITH JAMB AND FLOOR PULL - LOCKING



3/HO GLASS SLIDING DOOR LEAF SINGLE - FIXED RAIL  
 S05 WITH JAMB AND FLOOR PULL - LOCKING



4/V GLASS SLIDING DOOR LEAF SINGLE - FIXED RAIL  
 S05 WITH JAMB AND FLOOR PULL - NON LOCKING

OPTOS LP - DOORS SLIDING

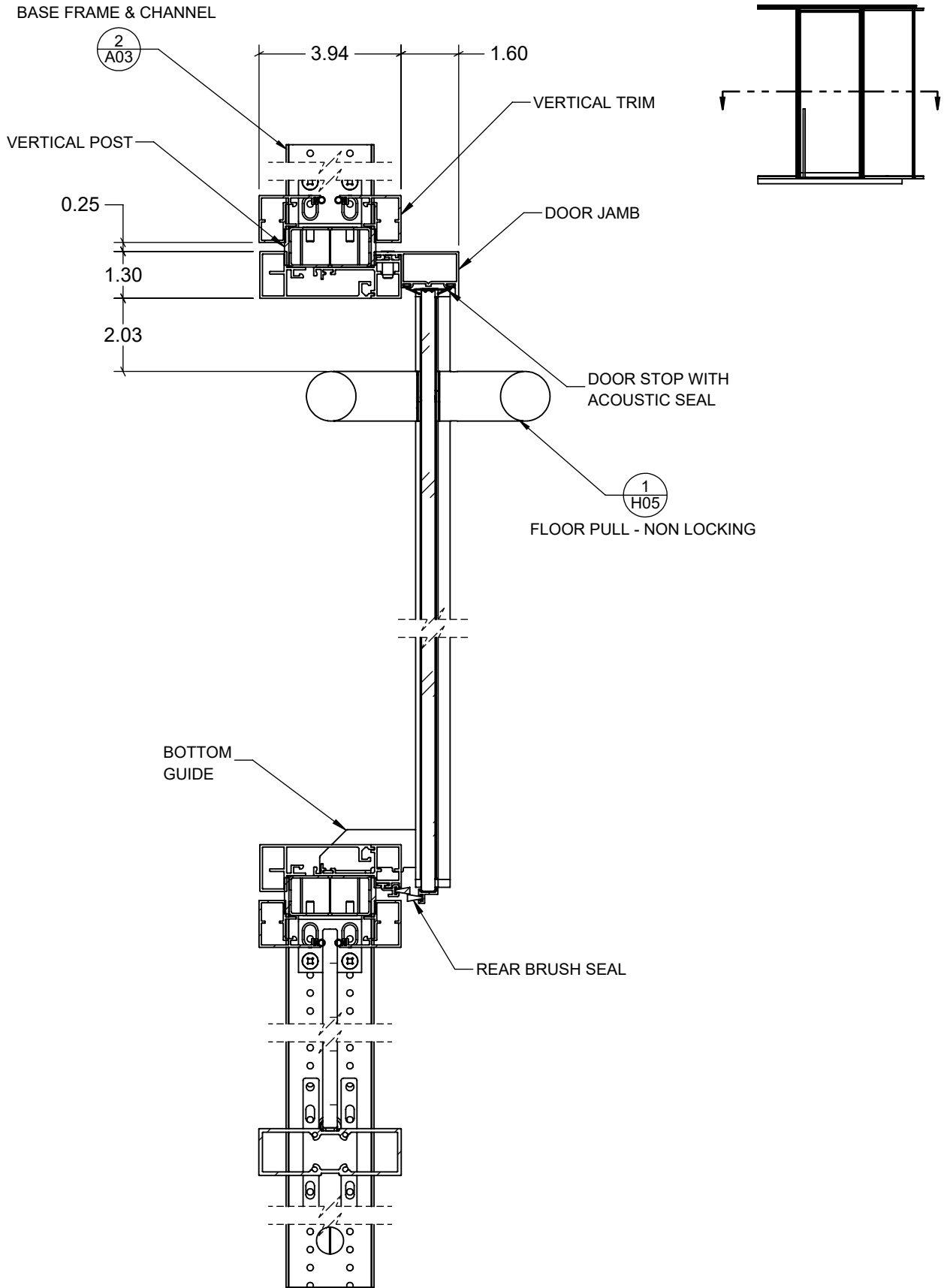
MODIFIED SEPTEMBER 29, 2024

UNIT INCH SCALE 1:4

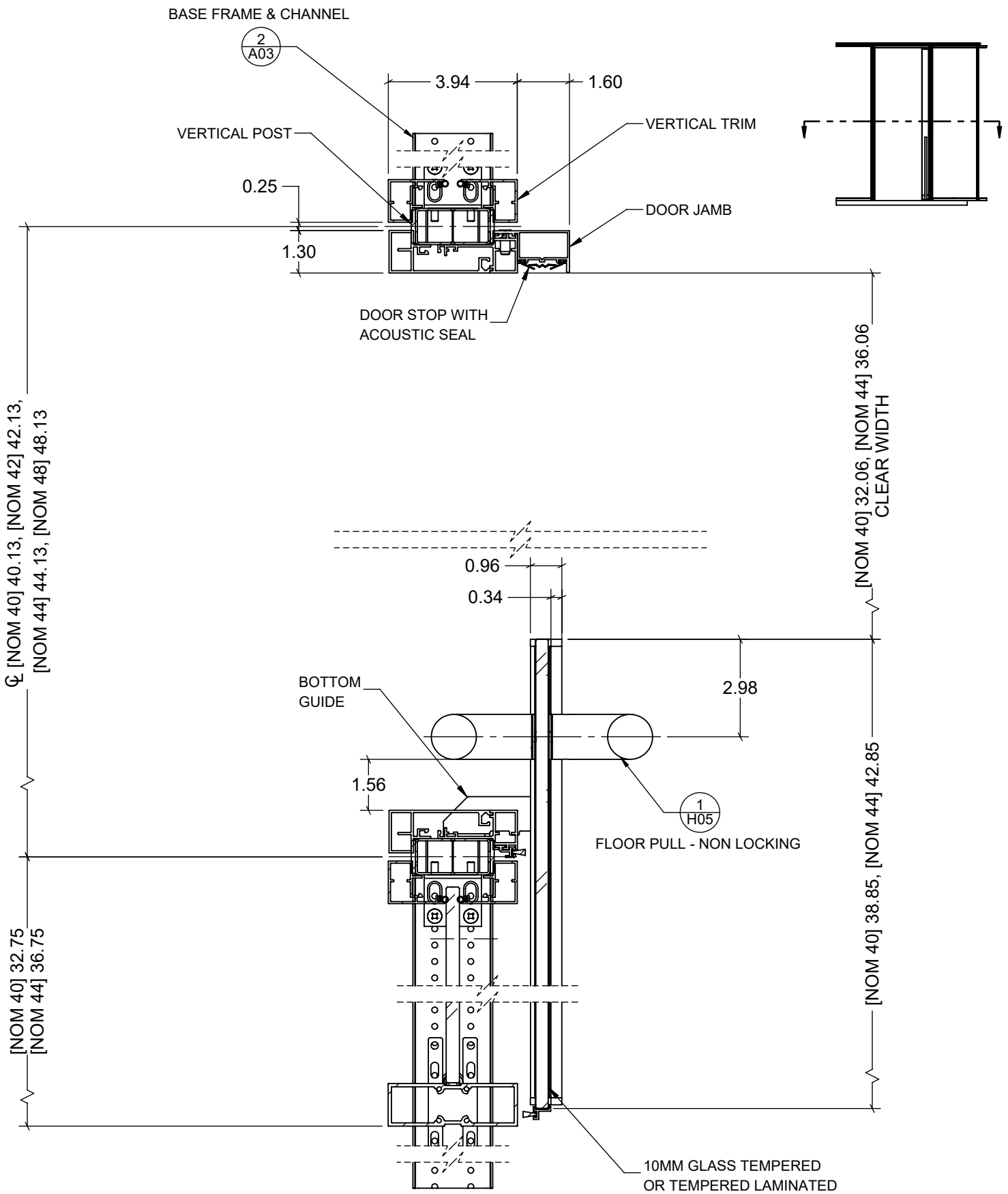
THIS DRAWING IS THE PROPERTY OF TEKNION LIMITED AND IS SUBJECT TO RETURN UPON DEMAND. IT MUST NOT BE SUBMITTED TO ANY OUTSIDE PARTIES FOR EXAMINATION WITHOUT TEKNION CONSENT. THIS DRAWING MUST NOT BE SCALED OR USED FOR CONSTRUCTION PURPOSES

Publish Date: Feb 23 2026

teknion



4/HC GLASS SLIDING DOOR LEAF SINGLE - FIXED RAIL  
 S05 WITH JAMB AND FLOOR PULL - NON LOCKING



4HO GLASS SLIDING DOOR LEAF SINGLE - FIXED RAIL  
 S05 WITH JAMB AND FLOOR PULL - NON LOCKING

OPTOS LP - DOORS SLIDING

MODIFIED SEPTEMBER 29, 2024

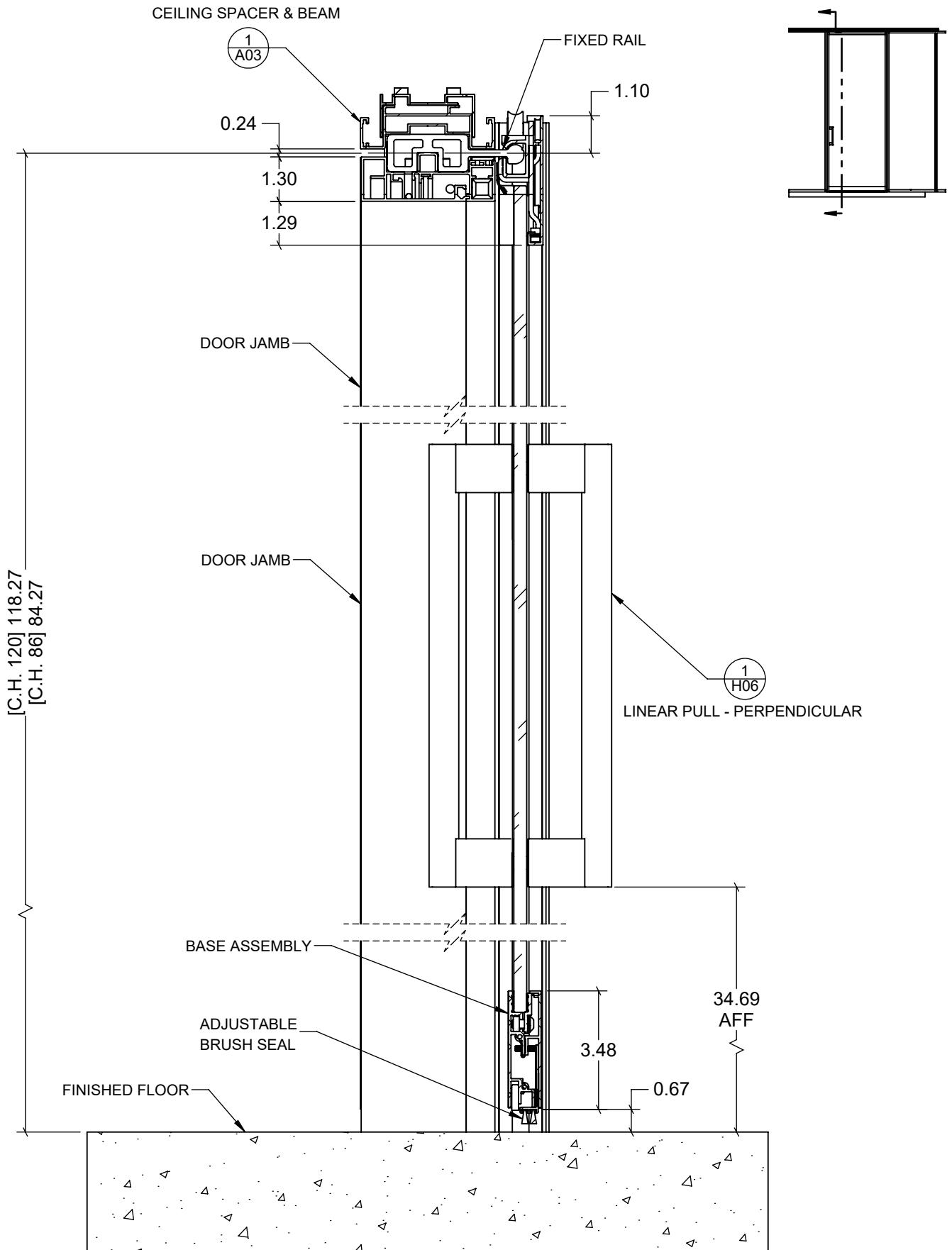
UNIT INCH

SCALE 1:4

THIS DRAWING IS THE PROPERTY OF TEKNION LIMITED AND IS SUBJECT TO RETURN UPON DEMAND. IT MUST NOT BE SUBMITTED TO ANY OUTSIDE PARTIES FOR EXAMINATION WITHOUT TEKNION CONSENT. THIS DRAWING MUST NOT BE SCALED OR USED FOR CONSTRUCTION PURPOSES

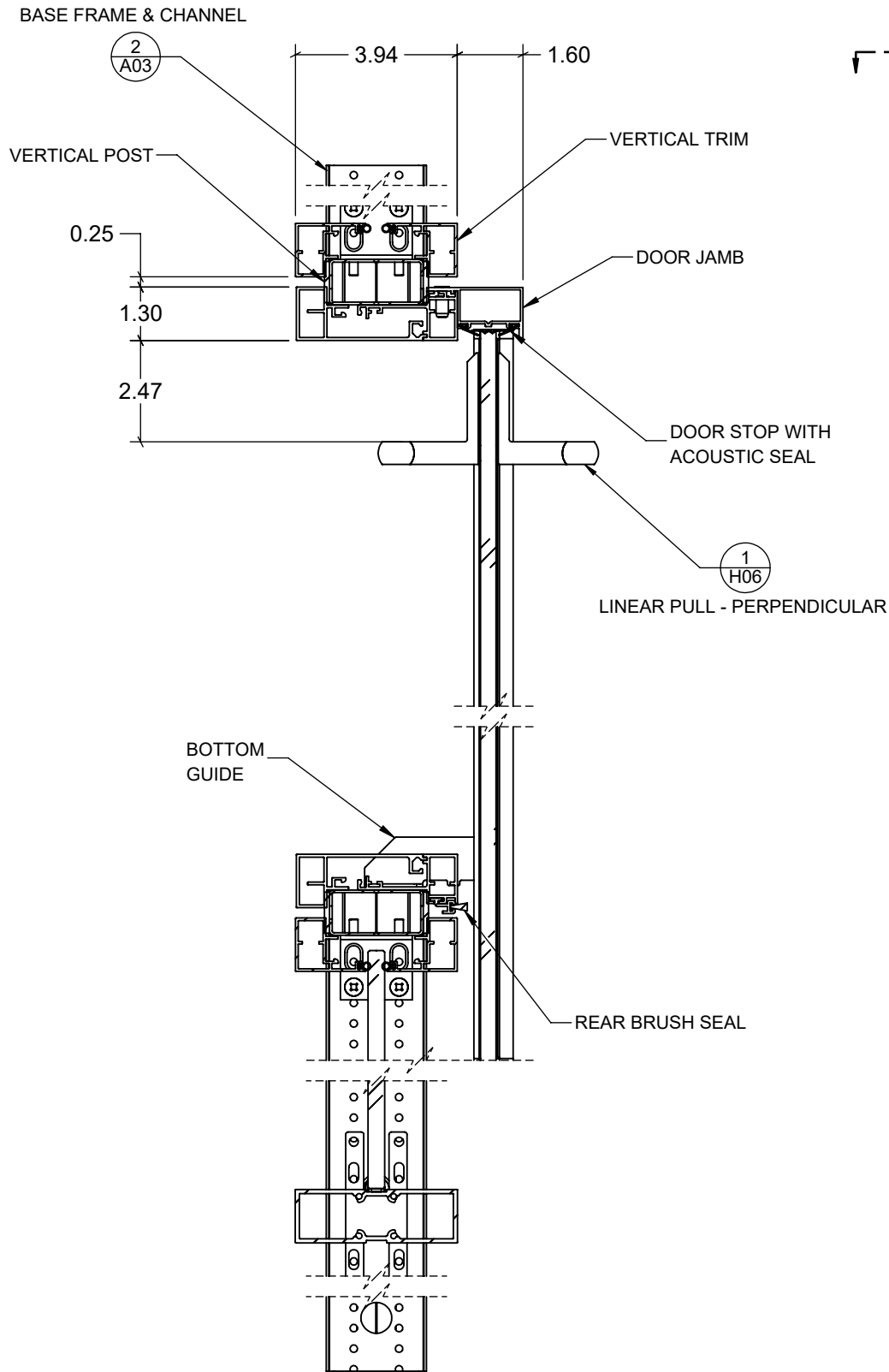
Publish Date: Feb 23 2026

teknion



5/V  
S05

GLASS SLIDING DOOR LEAF SINGLE - FIXED RAIL  
WITH JAMB AND LINEAR PULL - PERPENDICULAR



5/HC  
S05

GLASS SLIDING DOOR LEAF SINGLE - FIXED RAIL  
WITH JAMB AND LINEAR PULL - PERPENDICULAR

OPTOS LP - DOORS SLIDING

MODIFIED SEPTEMBER 29, 2024

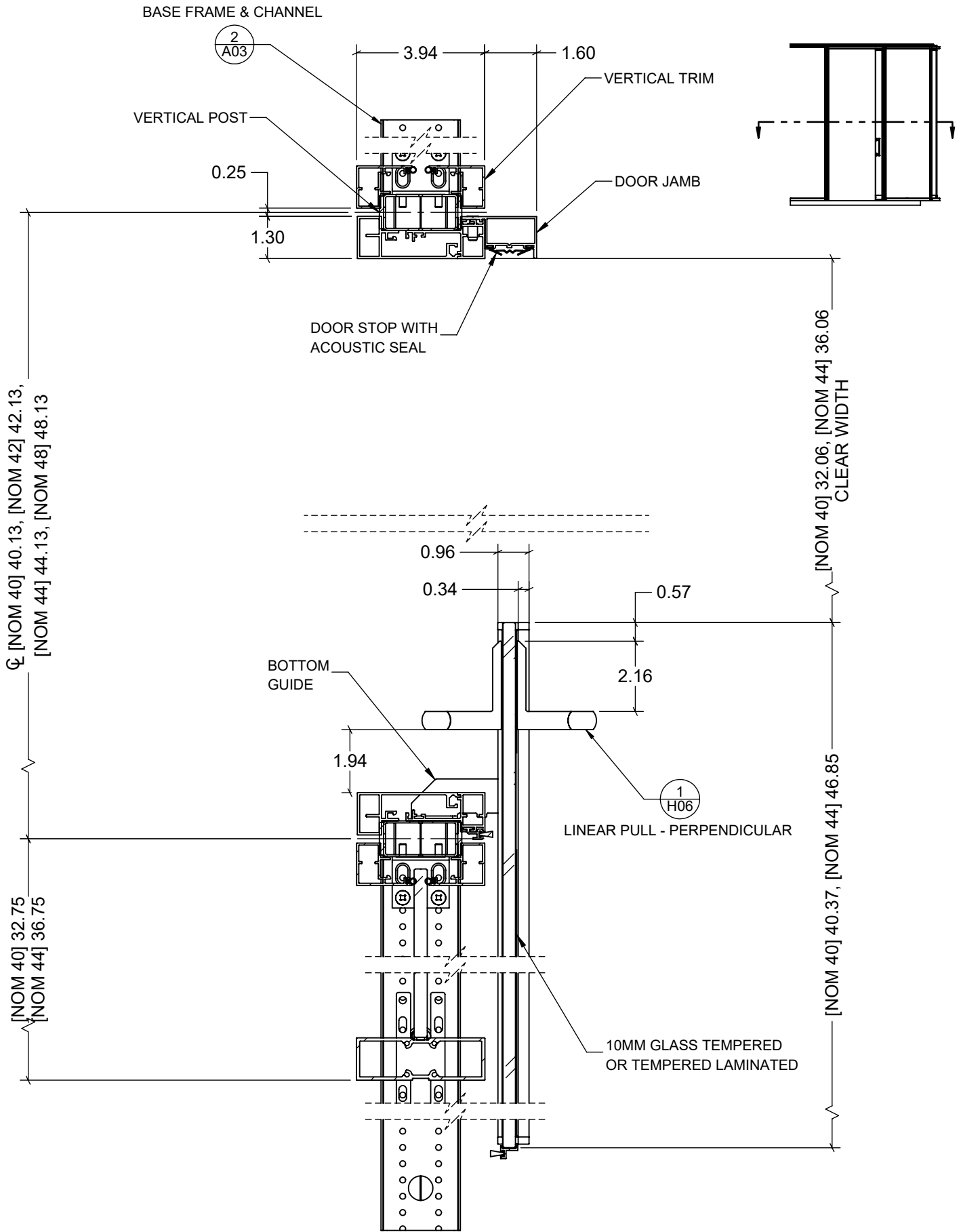
UNIT INCH

SCALE 1:4

THIS DRAWING IS THE PROPERTY OF TEKNION LIMITED AND IS SUBJECT TO RETURN UPON DEMAND. IT MUST NOT BE SUBMITTED TO ANY OUTSIDE PARTIES FOR EXAMINATION WITHOUT TEKNION CONSENT. THIS DRAWING MUST NOT BE SCALED OR USED FOR CONSTRUCTION PURPOSES

Publish Date: Feb 23 2026

teknion



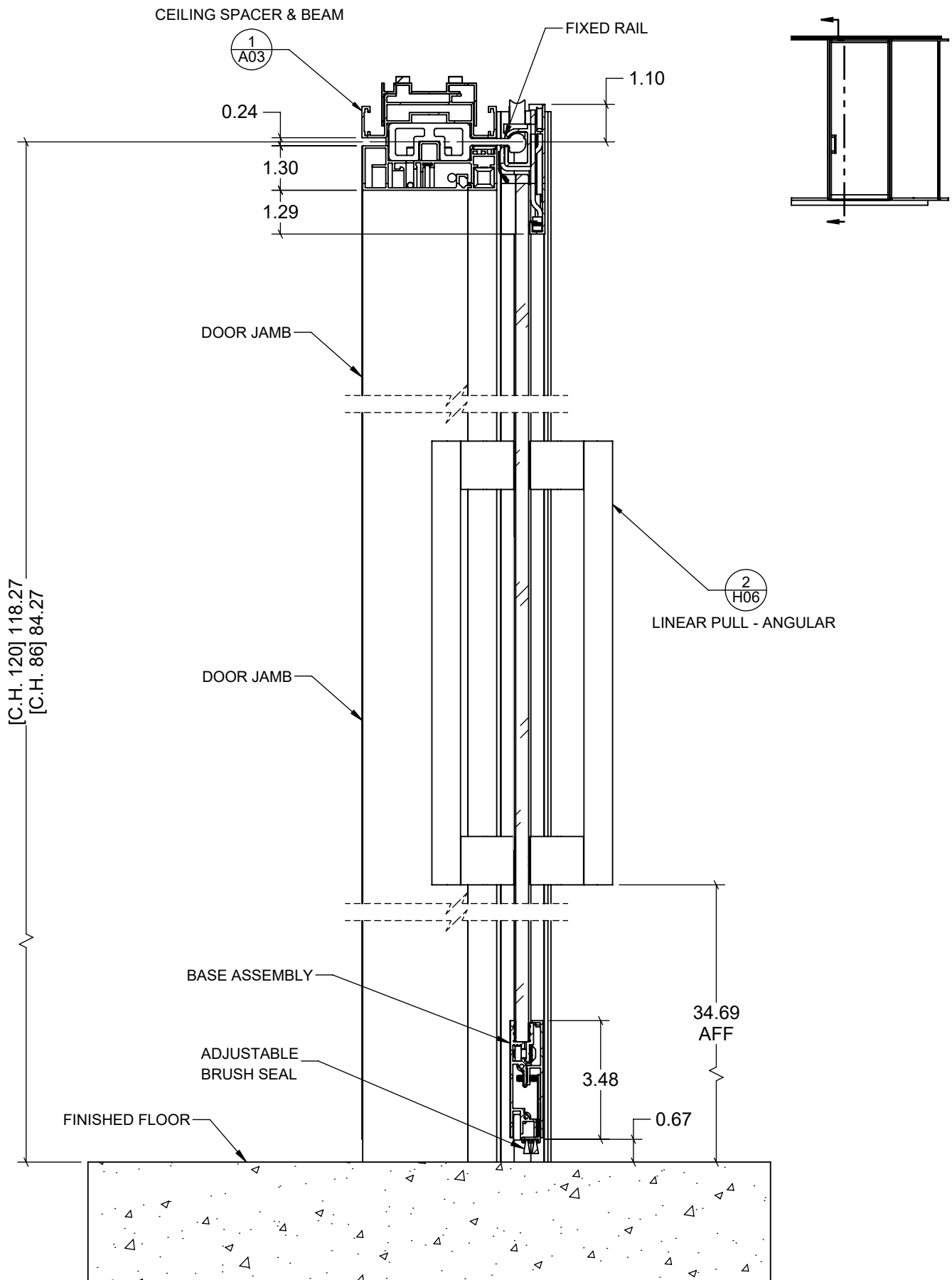
5/HO GLASS SLIDING DOOR LEAF SINGLE - FIXED RAIL  
 S05 WITH JAMB AND LINEAR PULL - PERPENDICULAR

OPTOS LP - DOORS SLIDING

MODIFIED SEPTEMBER 29, 2024

UNIT INCH

SCALE 1:4



6/V  
S05

GLASS SLIDING DOOR LEAF SINGLE - FIXED RAIL  
WITH JAMB AND LINEAR PULL - ANGULAR

OPTOS LP - DOORS SLIDING

MODIFIED SEPTEMBER 29, 2024

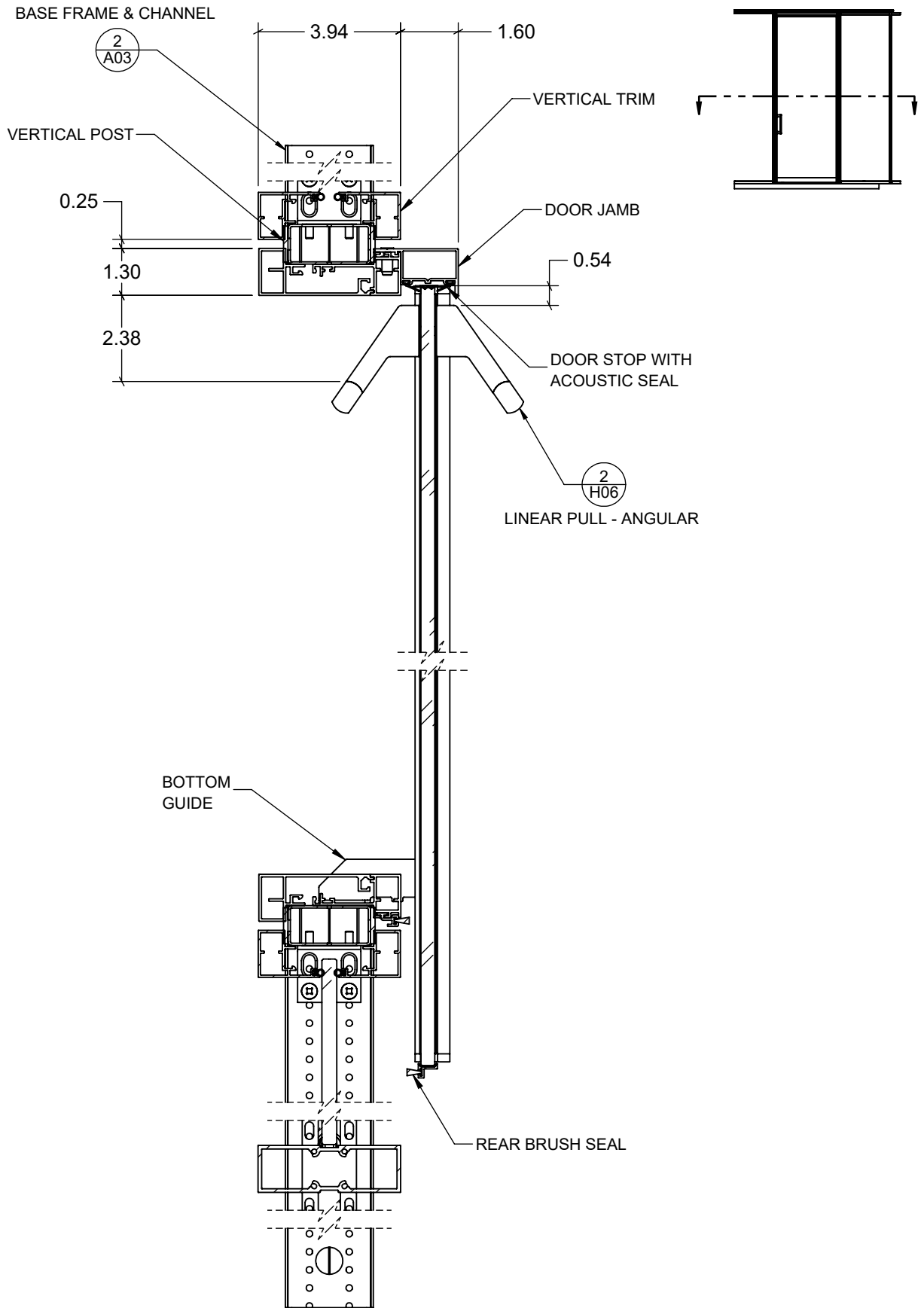
UNIT INCH

SCALE 1:4

THIS DRAWING IS THE PROPERTY OF TEKNION LIMITED AND IS SUBJECT TO RETURN UPON DEMAND. IT MUST NOT BE SUBMITTED TO ANY OUTSIDE PARTIES FOR EXAMINATION WITHOUT TEKNION CONSENT. THIS DRAWING MUST NOT BE SCALED OR USED FOR CONSTRUCTION PURPOSES

Publish Date: Feb 23 2026

teknion



6/HC GLASS SLIDING DOOR LEAF SINGLE - FIXED RAIL  
 S05 WITH JAMB AND LINEAR PULL - ANGULAR

OPTOS LP - DOORS SLIDING

MODIFIED SEPTEMBER 29, 2024

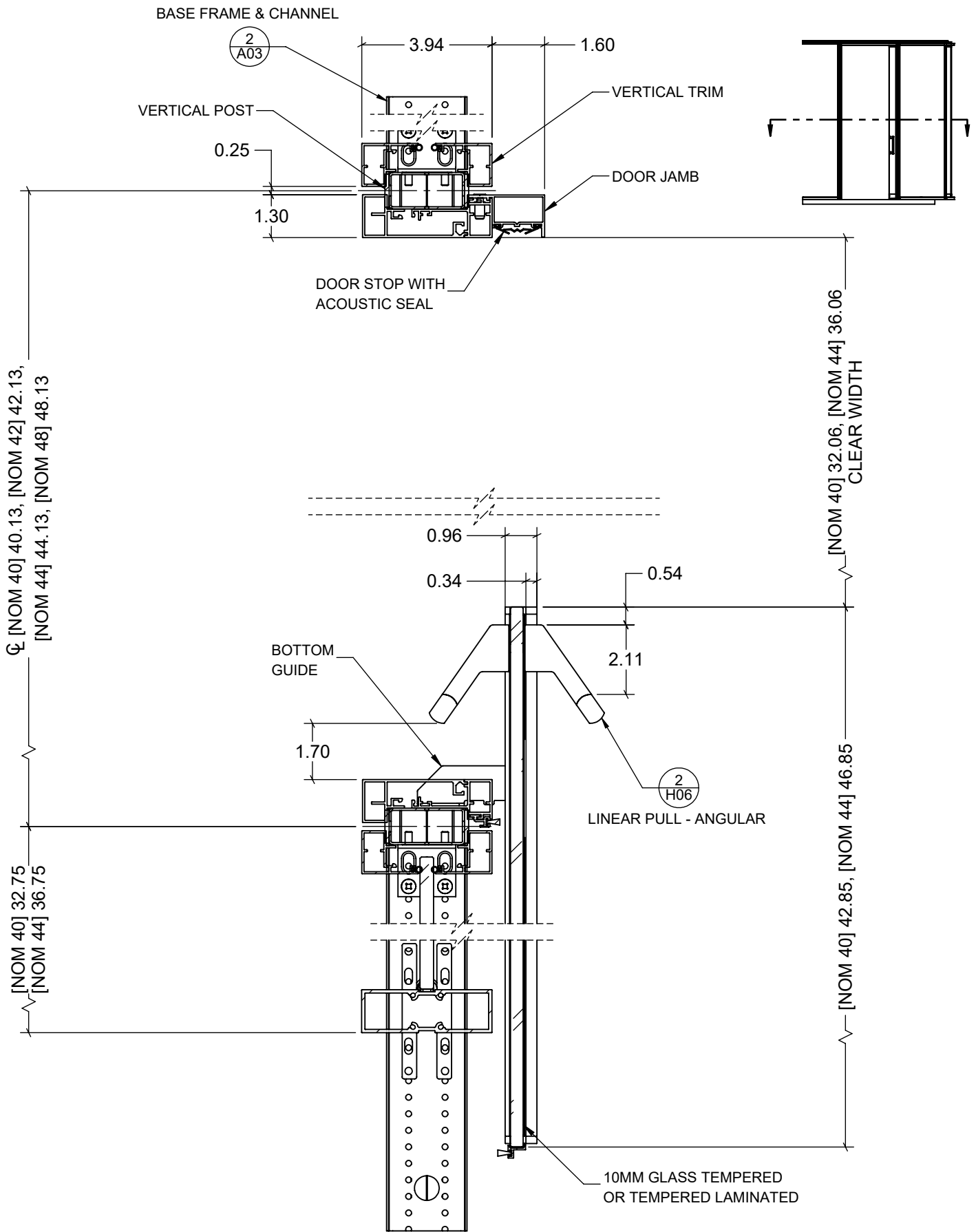
UNIT INCH

SCALE 1:4

THIS DRAWING IS THE PROPERTY OF TEKNION LIMITED AND IS SUBJECT TO RETURN UPON DEMAND. IT MUST NOT BE SUBMITTED TO ANY OUTSIDE PARTIES FOR EXAMINATION WITHOUT TEKNION CONSENT. THIS DRAWING MUST NOT BE SCALED OR USED FOR CONSTRUCTION PURPOSES

Publish Date: Feb 23 2026

teknion



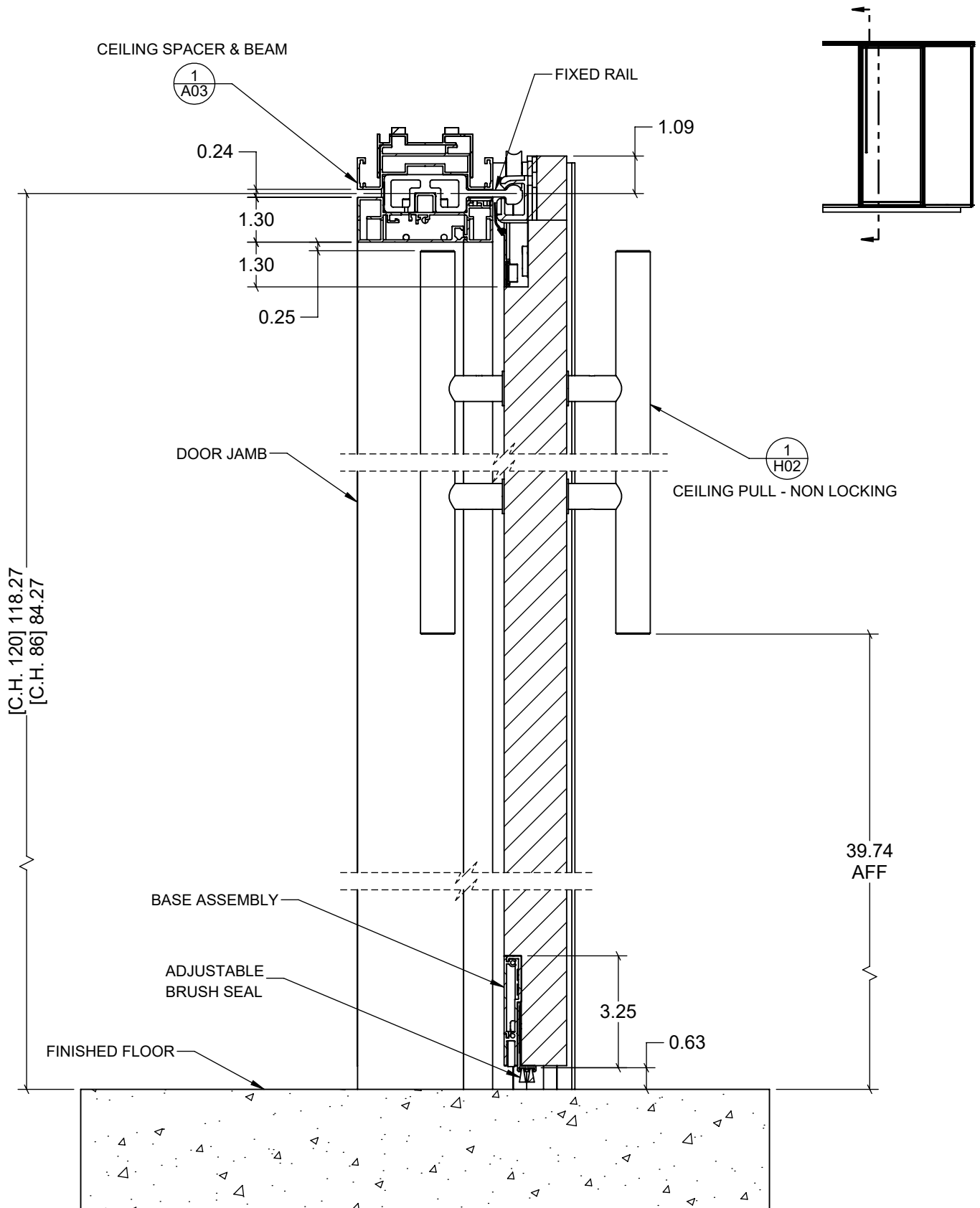
6/HO GLASS SLIDING DOOR LEAF SINGLE - FIXED RAIL  
 S05 WITH JAMB AND LINEAR PULL - ANGULAR

OPTOS LP - DOORS SLIDING

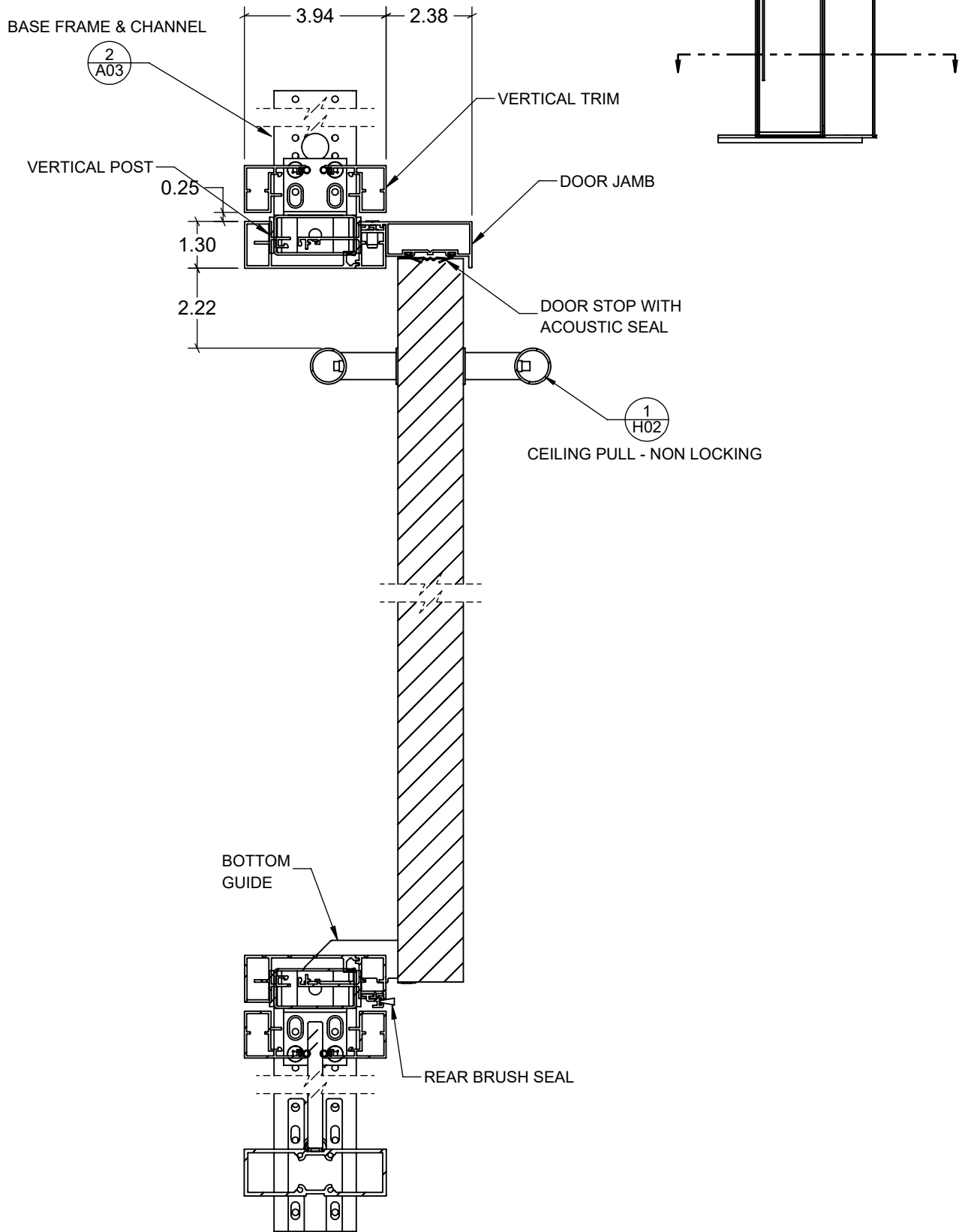
MODIFIED SEPTEMBER 29, 2024

UNIT INCH

SCALE 1:4



**1/V** SOLID SLIDING DOOR LEAF SINGLE - FIXED RAIL  
**S06** WITH JAMB AND CEILING PULL - NON LOCKING



**1/HC**  
**S06**
**SOLID SLIDING DOOR LEAF SINGLE - FIXED RAIL**  
**WITH JAMB AND CEILING PULL - NON LOCKING**

**OPTOS LP - DOORS SLIDING**

MODIFIED SEPTEMBER 29, 2024

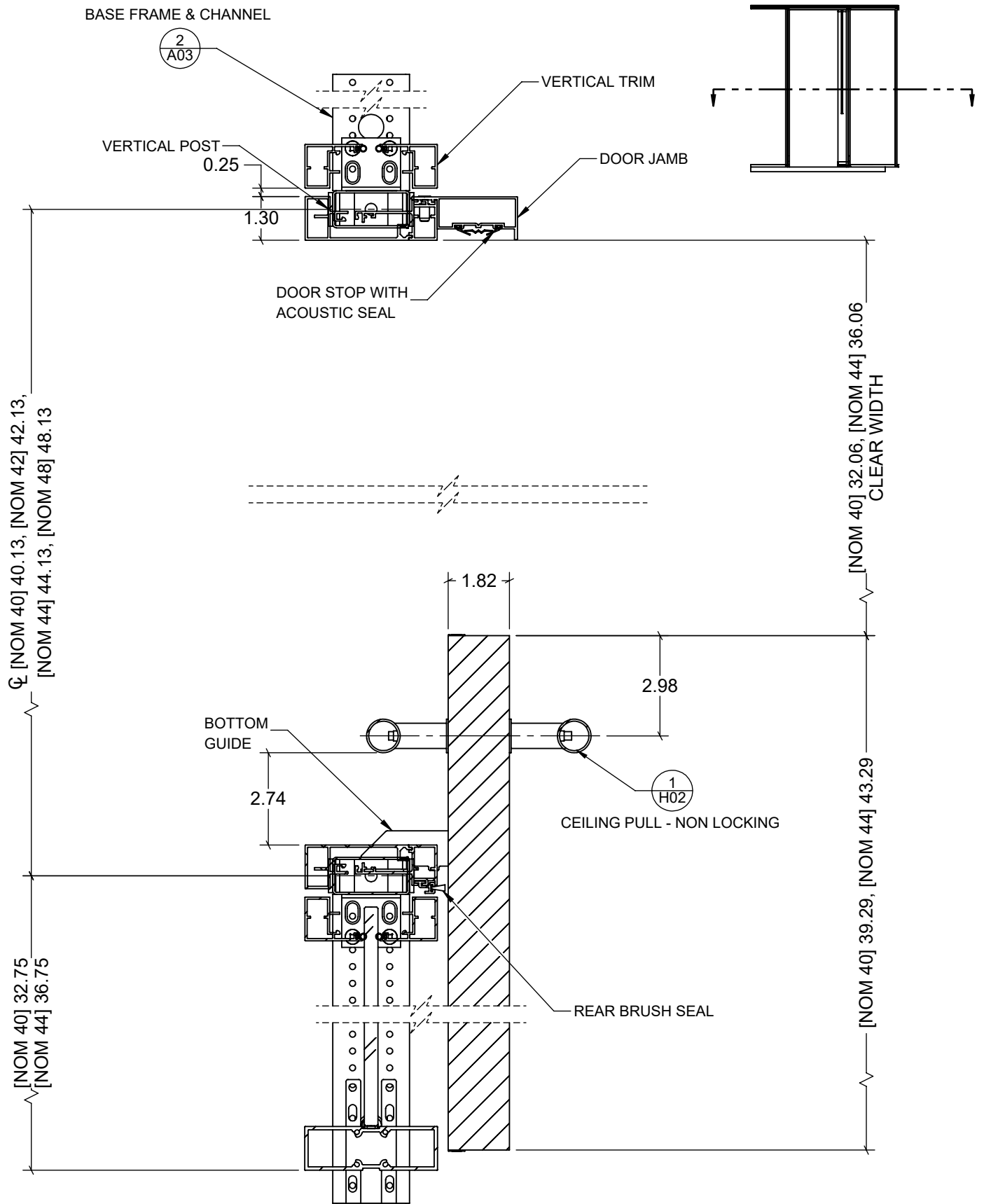
UNIT INCH

SCALE 1:4

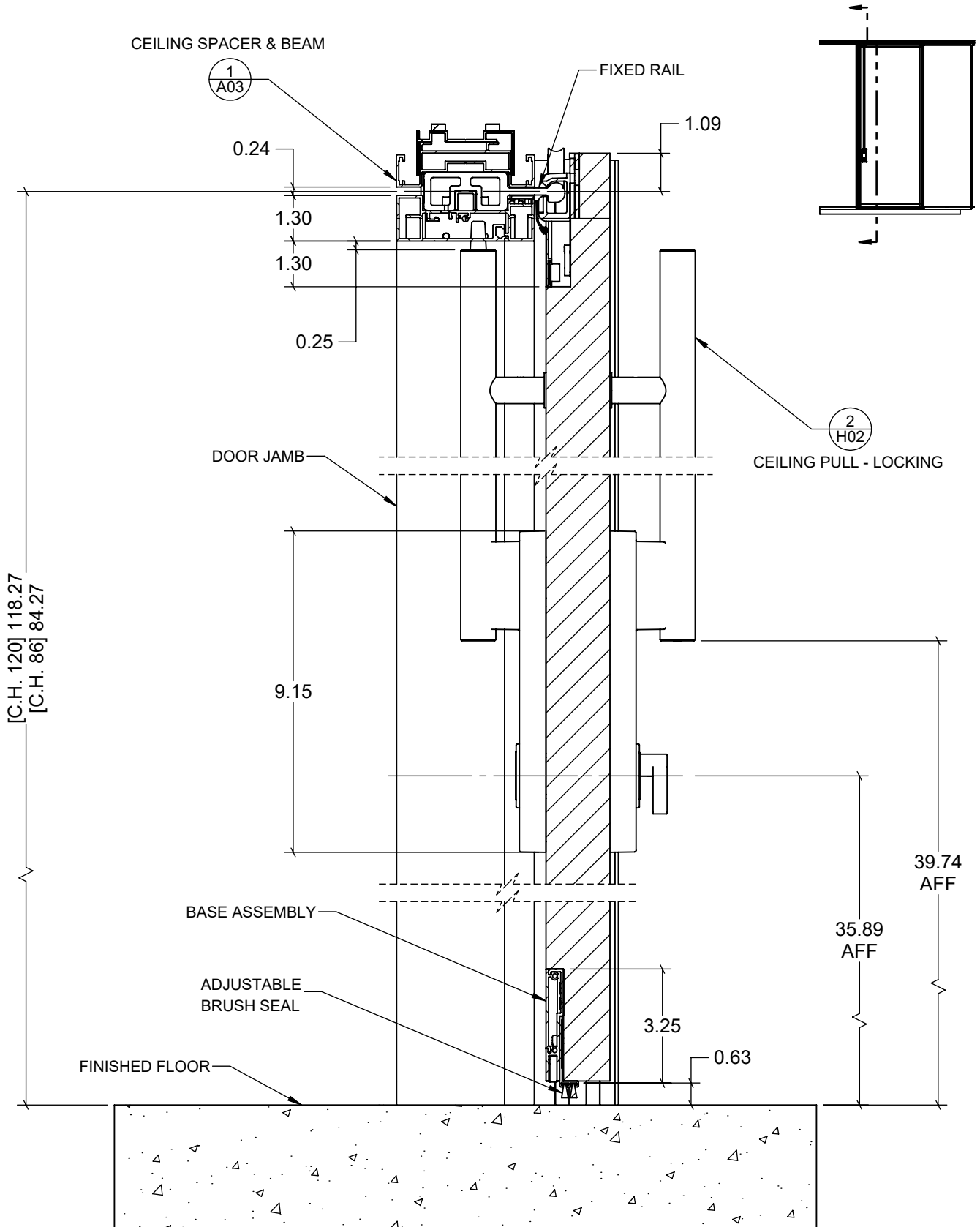
THIS DRAWING IS THE PROPERTY OF TEKNION LIMITED AND IS SUBJECT TO RETURN UPON DEMAND. IT MUST NOT BE SUBMITTED TO ANY OUTSIDE PARTIES FOR EXAMINATION WITHOUT TEKNION CONSENT. THIS DRAWING MUST NOT BE SCALED OR USED FOR CONSTRUCTION PURPOSES

**Publish Date: Feb 23 2026**

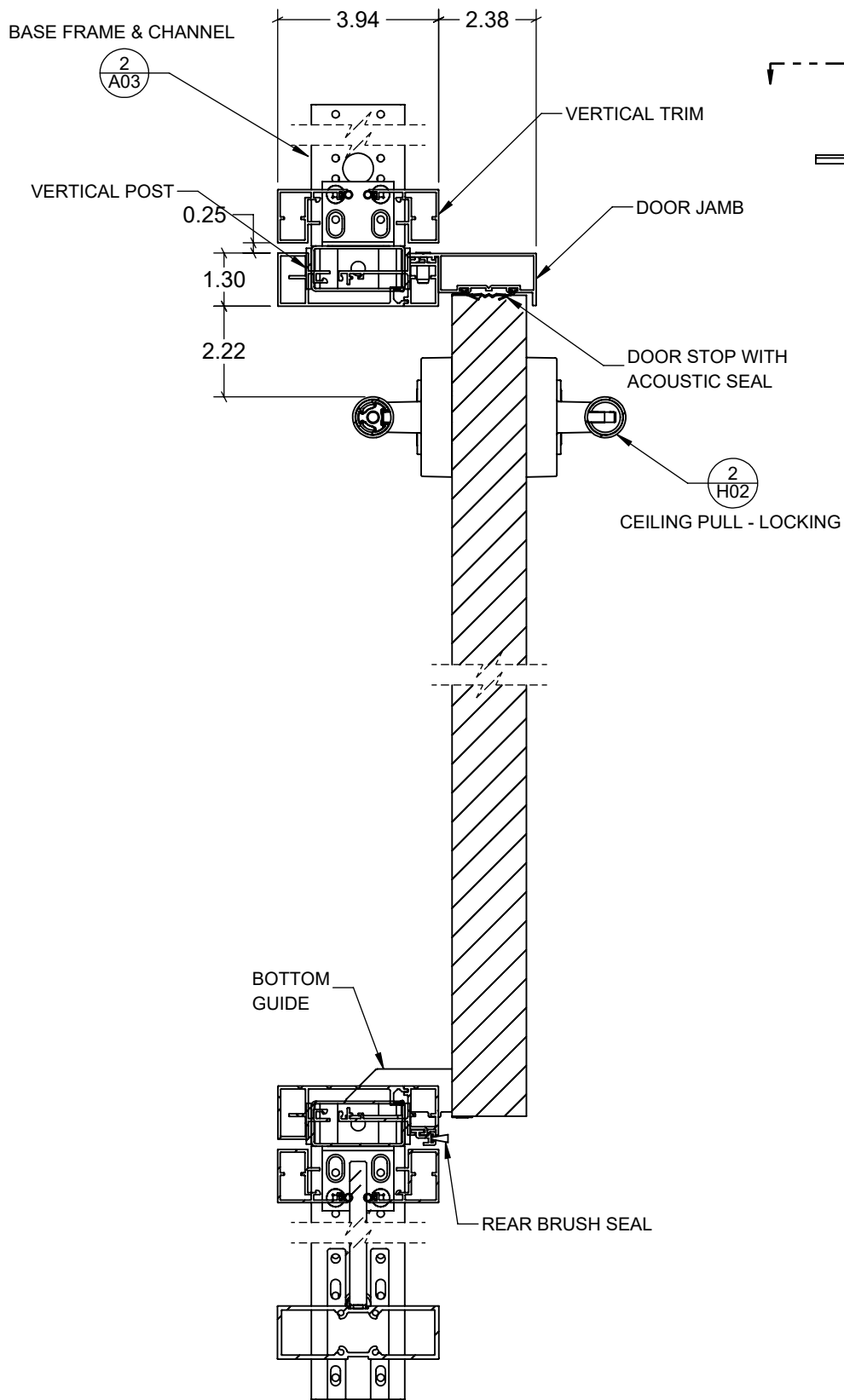




1/HO SOLID SLIDING DOOR LEAF SINGLE - FIXED RAIL  
S06 WITH JAMB AND CEILING PULL - NON LOCKING



2/V SOLID SLIDING DOOR LEAF SINGLE - FIXED RAIL  
S06 WITH JAMB AND CEILING PULL - LOCKING



2/HC SOLID SLIDING DOOR LEAF SINGLE - FIXED RAIL  
 S06 WITH JAMB AND CEILING PULL - LOCKING

OPTOS LP - DOORS SLIDING

MODIFIED SEPTEMBER 29, 2024

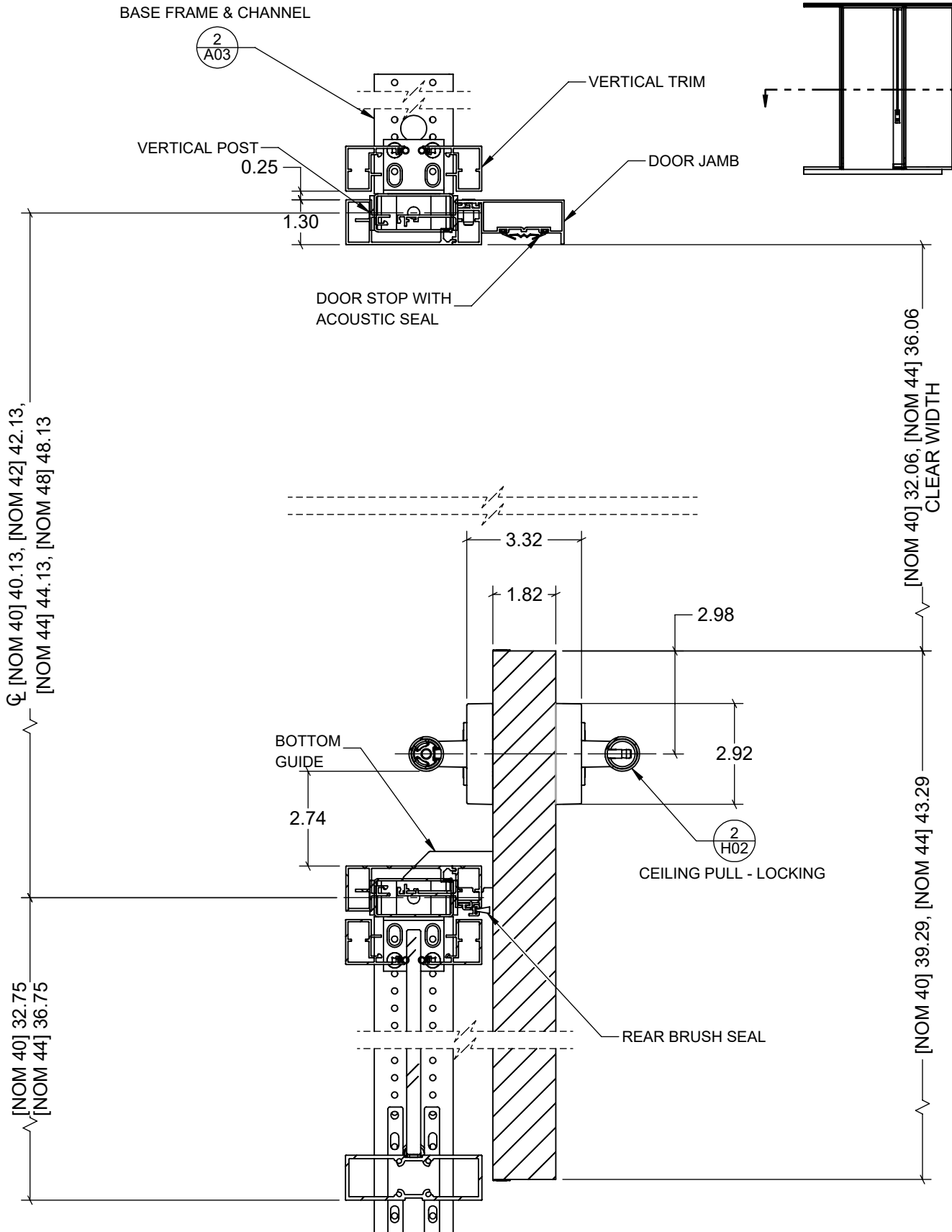
UNIT INCH

SCALE 1:4

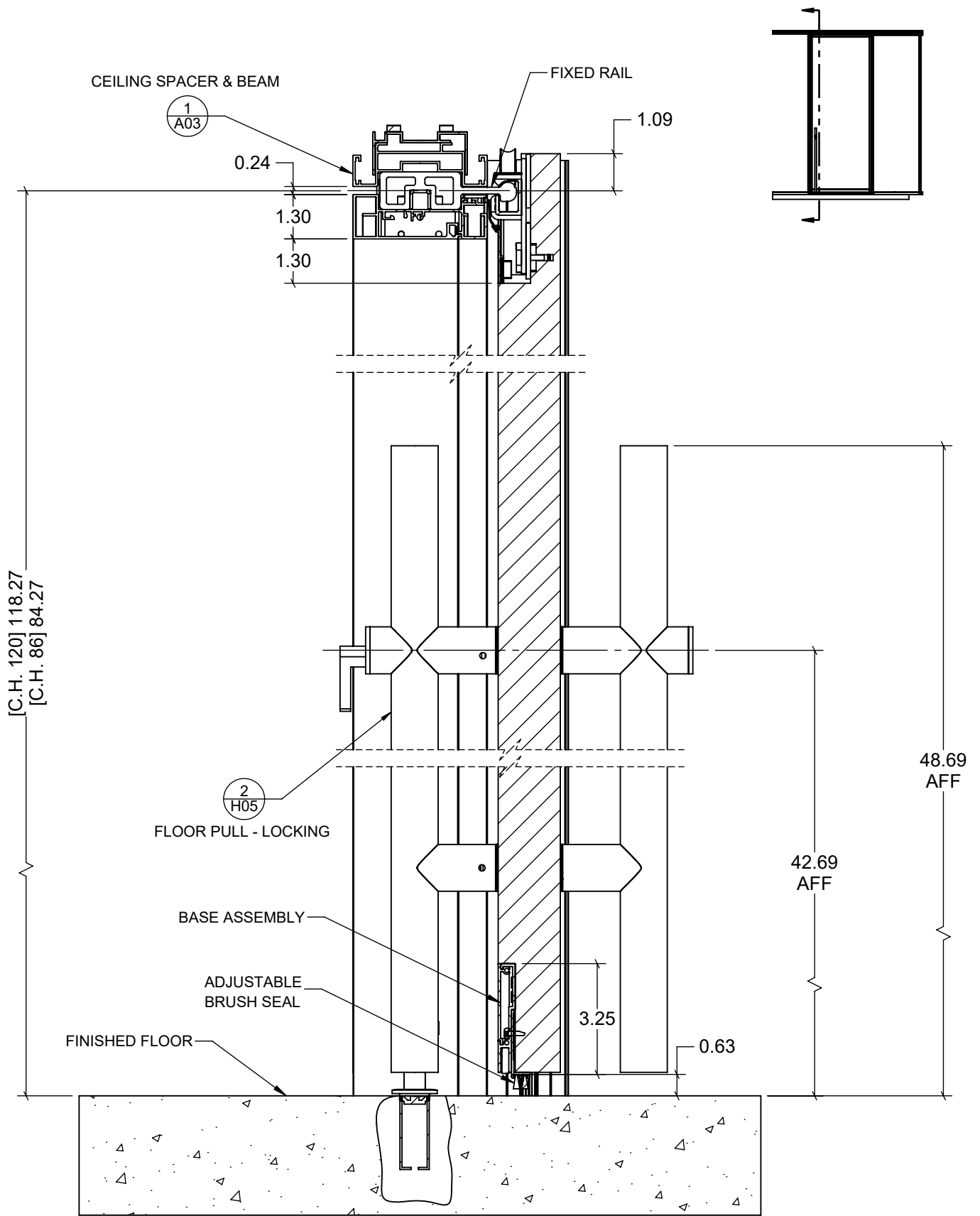
THIS DRAWING IS THE PROPERTY OF TEKNION LIMITED AND IS SUBJECT TO RETURN UPON DEMAND. IT MUST NOT BE SUBMITTED TO ANY OUTSIDE PARTIES FOR EXAMINATION WITHOUT TEKNION CONSENT. THIS DRAWING MUST NOT BE SCALED OR USED FOR CONSTRUCTION PURPOSES

Publish Date: Feb 23 2026

teknion



2/HO SOLID SLIDING DOOR LEAF SINGLE - FIXED RAIL  
S06 WITH JAMB AND CEILING PULL - LOCKING



3/V SOLID SLIDING DOOR LEAF SINGLE - FIXED RAIL  
S06 WITH JAMB AND FLOOR PULL - LOCKING

OPTOS LP - DOORS SLIDING

MODIFIED SEPTEMBER 29, 2024

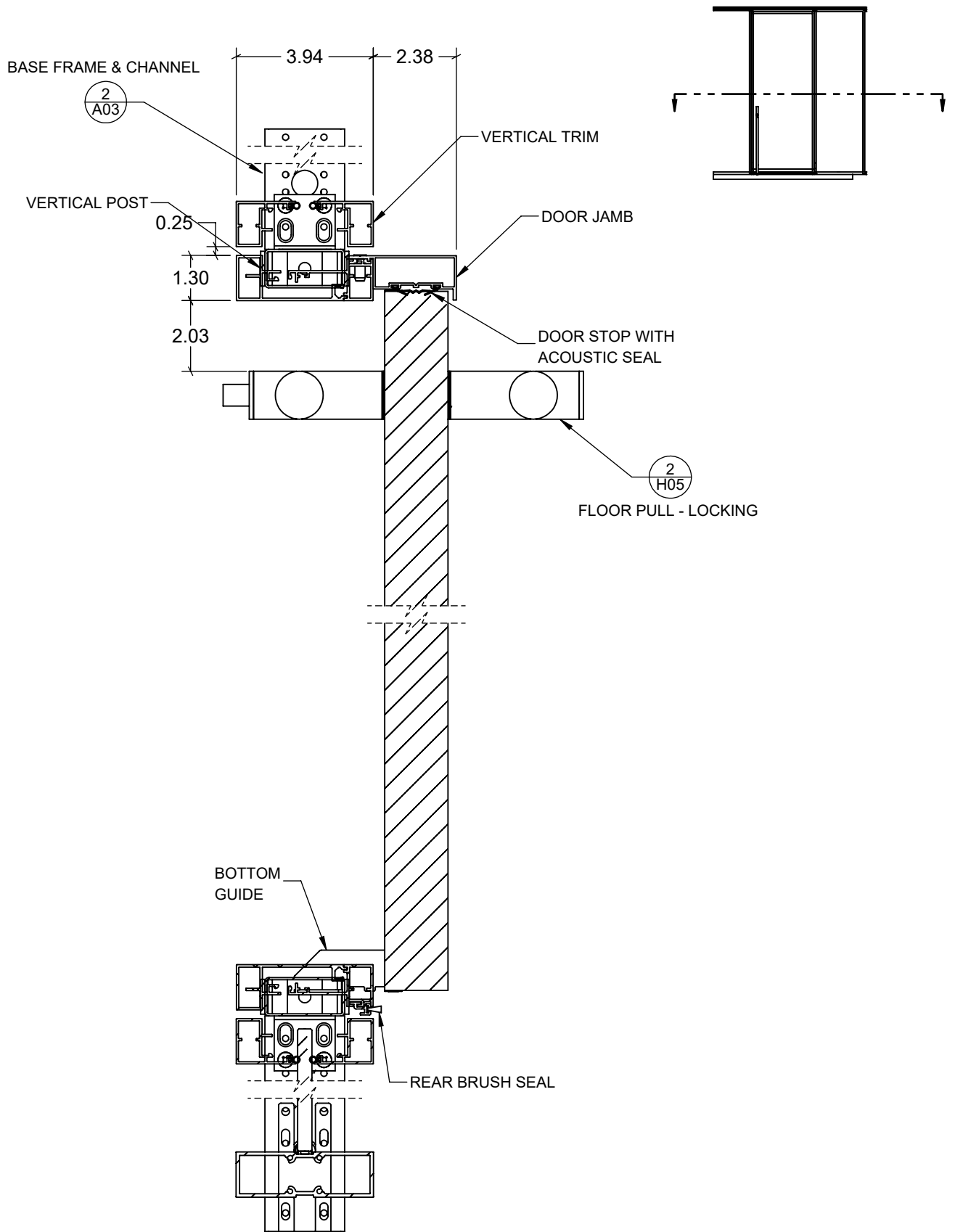
UNIT INCH

SCALE 1:4

THIS DRAWING IS THE PROPERTY OF TEKNION LIMITED AND IS SUBJECT TO RETURN UPON DEMAND. IT MUST NOT BE SUBMITTED TO ANY OUTSIDE PARTIES FOR EXAMINATION WITHOUT TEKNION CONSENT. THIS DRAWING MUST NOT BE SCALED OR USED FOR CONSTRUCTION PURPOSES

Publish Date: Feb 23 2026

teknion



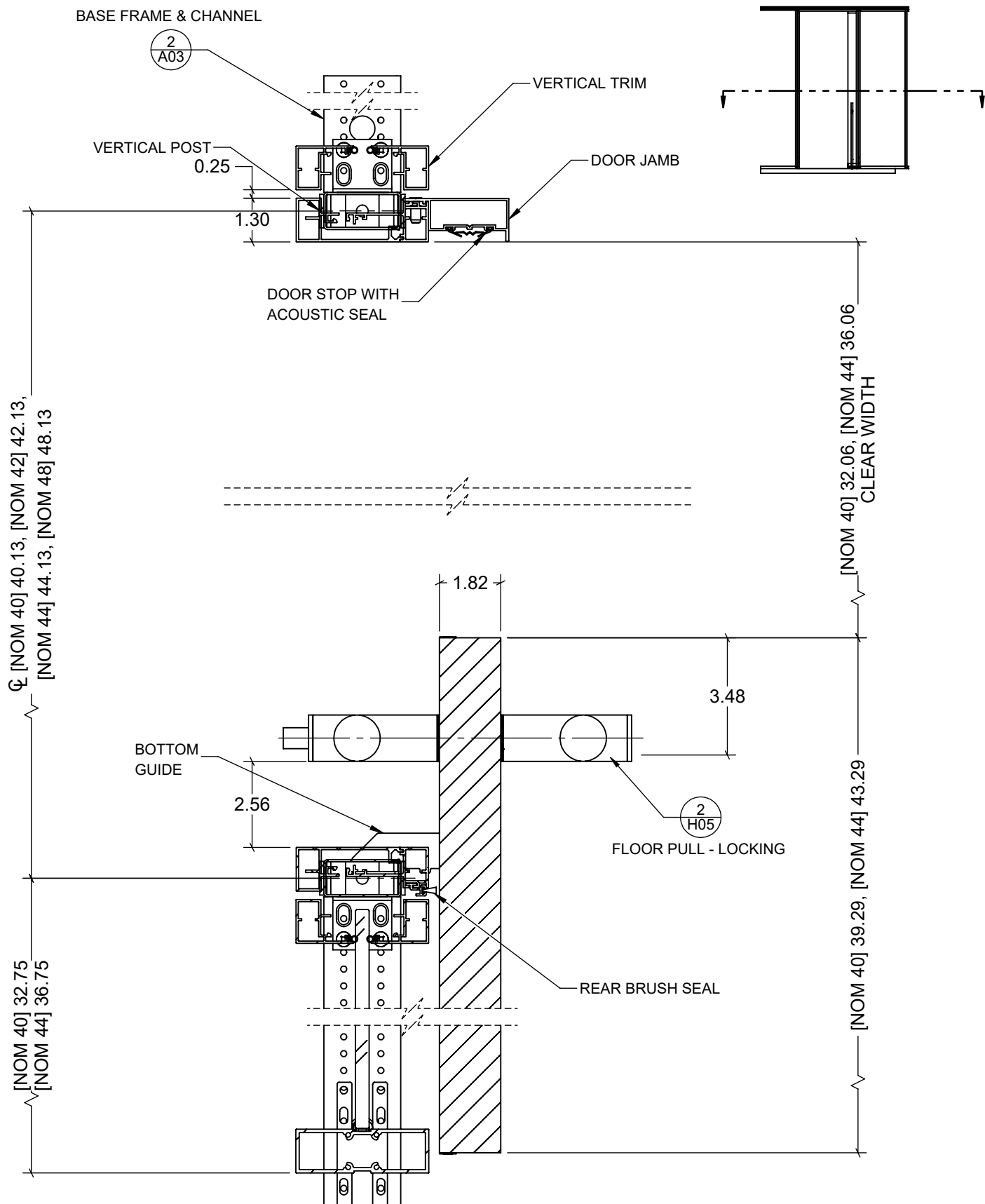
**3/HC** SOLID SLIDING DOOR LEAF SINGLE - FIXED RAIL  
**S06** WITH JAMB AND FLOOR PULL - LOCKING

OPTOS LP - DOORS SLIDING

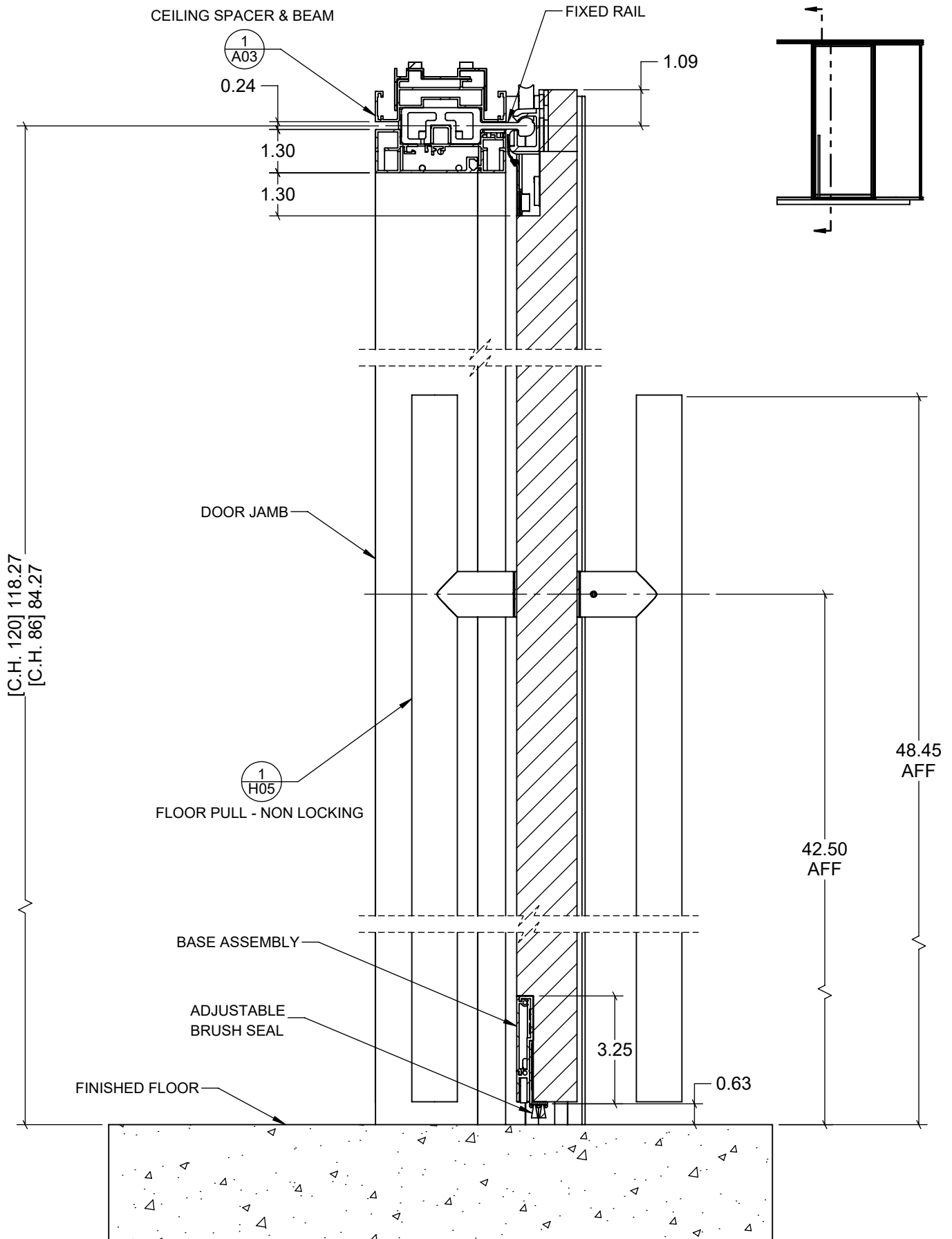
MODIFIED SEPTEMBER 29, 2024

UNIT INCH

SCALE 1:4



3/HO S06 SOLID SLIDING DOOR LEAF SINGLE - FIXED RAIL WITH JAMB AND FLOOR PULL - LOCKING



4/V SOLID SLIDING DOOR LEAF SINGLE - FIXED RAIL  
 S06 WITH JAMB AND FLOOR PULL - NON LOCKING

OPTOS LP - DOORS SLIDING

MODIFIED SEPTEMBER 29, 2024

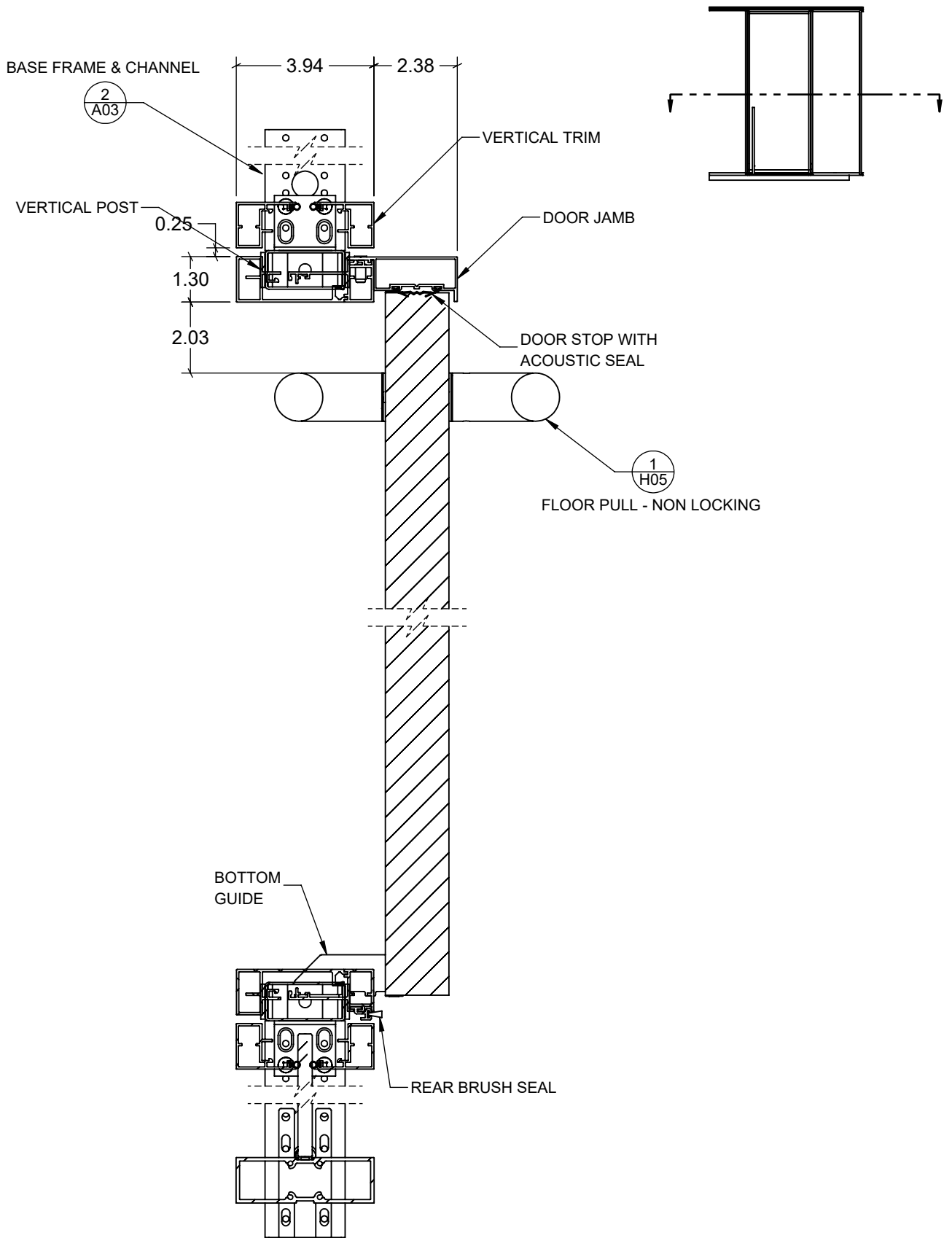
UNIT INCH

SCALE 1:4

THIS DRAWING IS THE PROPERTY OF TEKNION LIMITED AND IS SUBJECT TO RETURN UPON DEMAND. IT MUST NOT BE SUBMITTED TO ANY OUTSIDE PARTIES FOR EXAMINATION WITHOUT TEKNION CONSENT. THIS DRAWING MUST NOT BE SCALED OR USED FOR CONSTRUCTION PURPOSES

Publish Date: Feb 23 2026

teknion



4/HC SOLID SLIDING DOOR LEAF SINGLE - FIXED RAIL  
 S06 WITH JAMB AND FLOOR PULL - NON LOCKING

OPTOS LP - DOORS SLIDING

MODIFIED SEPTEMBER 29, 2024

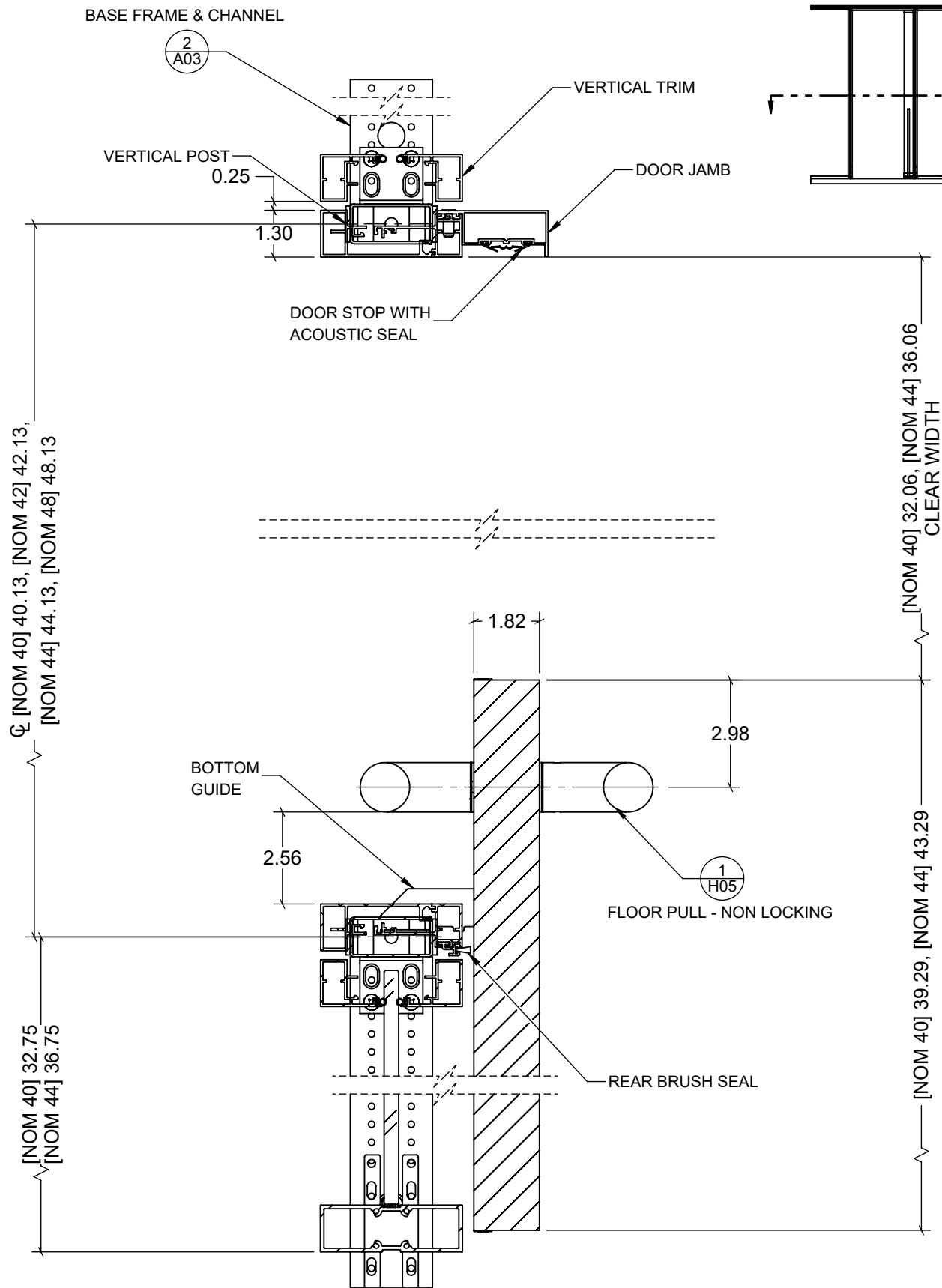
UNIT INCH

SCALE 1:4

THIS DRAWING IS THE PROPERTY OF TEKNION LIMITED AND IS SUBJECT TO RETURN UPON DEMAND. IT MUST NOT BE SUBMITTED TO ANY OUTSIDE PARTIES FOR EXAMINATION WITHOUT TEKNION CONSENT. THIS DRAWING MUST NOT BE SCALED OR USED FOR CONSTRUCTION PURPOSES

Publish Date: Feb 23 2026

teknion



4HO SOLID SLIDING DOOR LEAF SINGLE - FIXED RAIL  
S06 WITH JAMB AND FLOOR PULL - NON LOCKING

OPTOS LP - DOORS SLIDING

MODIFIED SEPTEMBER 29, 2024

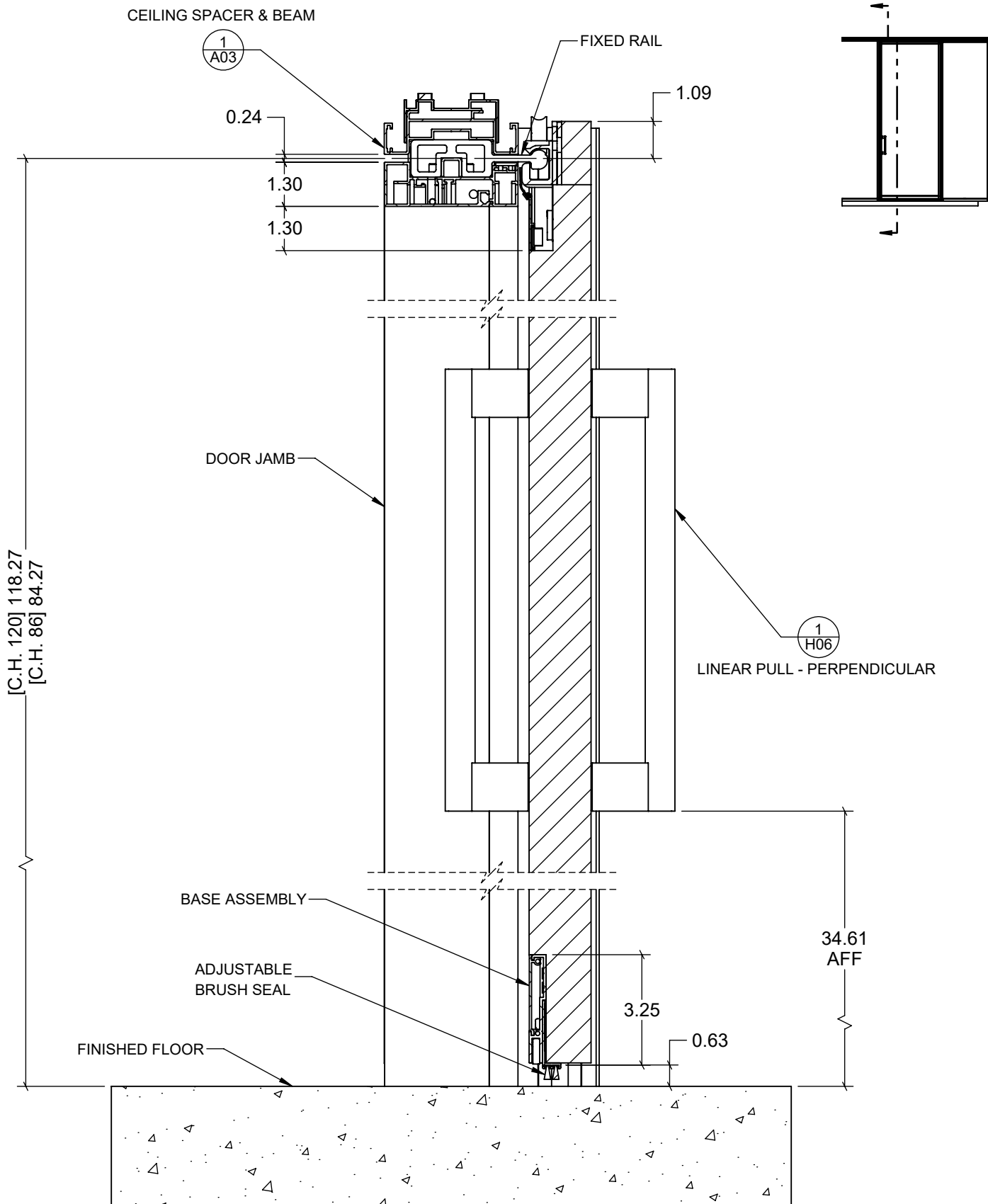
UNIT INCH

SCALE 1:4

THIS DRAWING IS THE PROPERTY OF TEKNION LIMITED AND IS SUBJECT TO RETURN UPON DEMAND. IT MUST NOT BE SUBMITTED TO ANY OUTSIDE PARTIES FOR EXAMINATION WITHOUT TEKNION CONSENT. THIS DRAWING MUST NOT BE SCALED OR USED FOR CONSTRUCTION PURPOSES

Publish Date: Feb 23 2026

teknion



5/V SOLID SLIDING DOOR LEAF SINGLE - FIXED RAIL  
 S06 WITH JAMB AND LINEAR PULL - PERPENDICULAR

OPTOS LP - DOORS SLIDING

MODIFIED SEPTEMBER 29, 2024

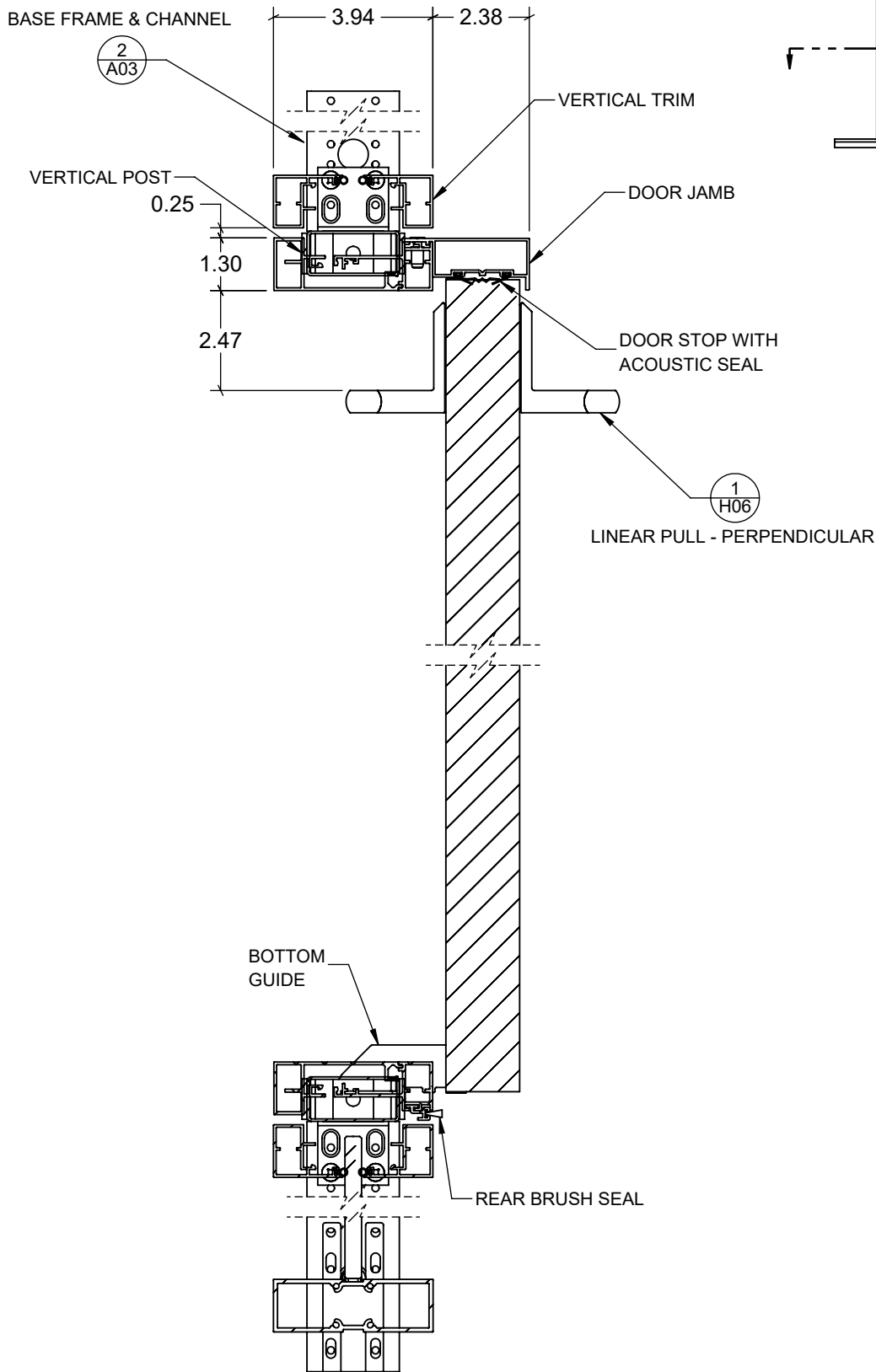
UNIT INCH

SCALE 1:4

THIS DRAWING IS THE PROPERTY OF TEKNION LIMITED AND IS SUBJECT TO RETURN UPON DEMAND. IT MUST NOT BE SUBMITTED TO ANY OUTSIDE PARTIES FOR EXAMINATION WITHOUT TEKNION CONSENT. THIS DRAWING MUST NOT BE SCALED OR USED FOR CONSTRUCTION PURPOSES

Publish Date: Feb 23 2026

teknion



5/HC SOLID SLIDING DOOR LEAF SINGLE - FIXED RAIL  
 S06 WITH JAMB AND LINEAR PULL - PERPENDICULAR

OPTOS LP - DOORS SLIDING

MODIFIED SEPTEMBER 29, 2024

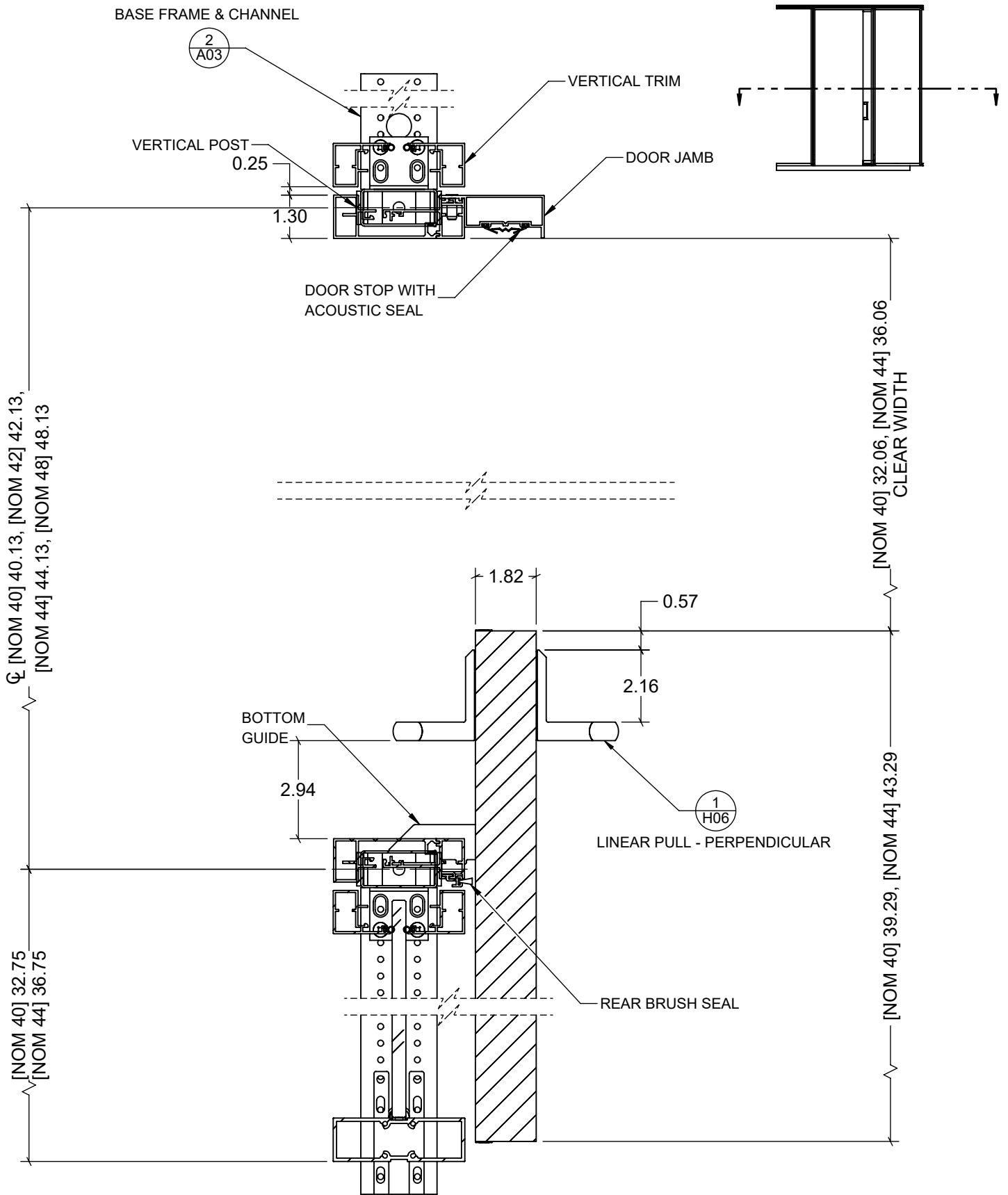
UNIT INCH

SCALE 1:4

THIS DRAWING IS THE PROPERTY OF TEKNION LIMITED AND IS SUBJECT TO RETURN UPON DEMAND. IT MUST NOT BE SUBMITTED TO ANY OUTSIDE PARTIES FOR EXAMINATION WITHOUT TEKNION CONSENT. THIS DRAWING MUST NOT BE SCALED OR USED FOR CONSTRUCTION PURPOSES

Publish Date: Feb 23 2026

teknion



5/HO SOLID SLIDING DOOR LEAF SINGLE - FIXED RAIL  
 S06 WITH JAMB AND LINEAR PULL - PERPENDICULAR

OPTOS LP - DOORS SLIDING

MODIFIED SEPTEMBER 29, 2024

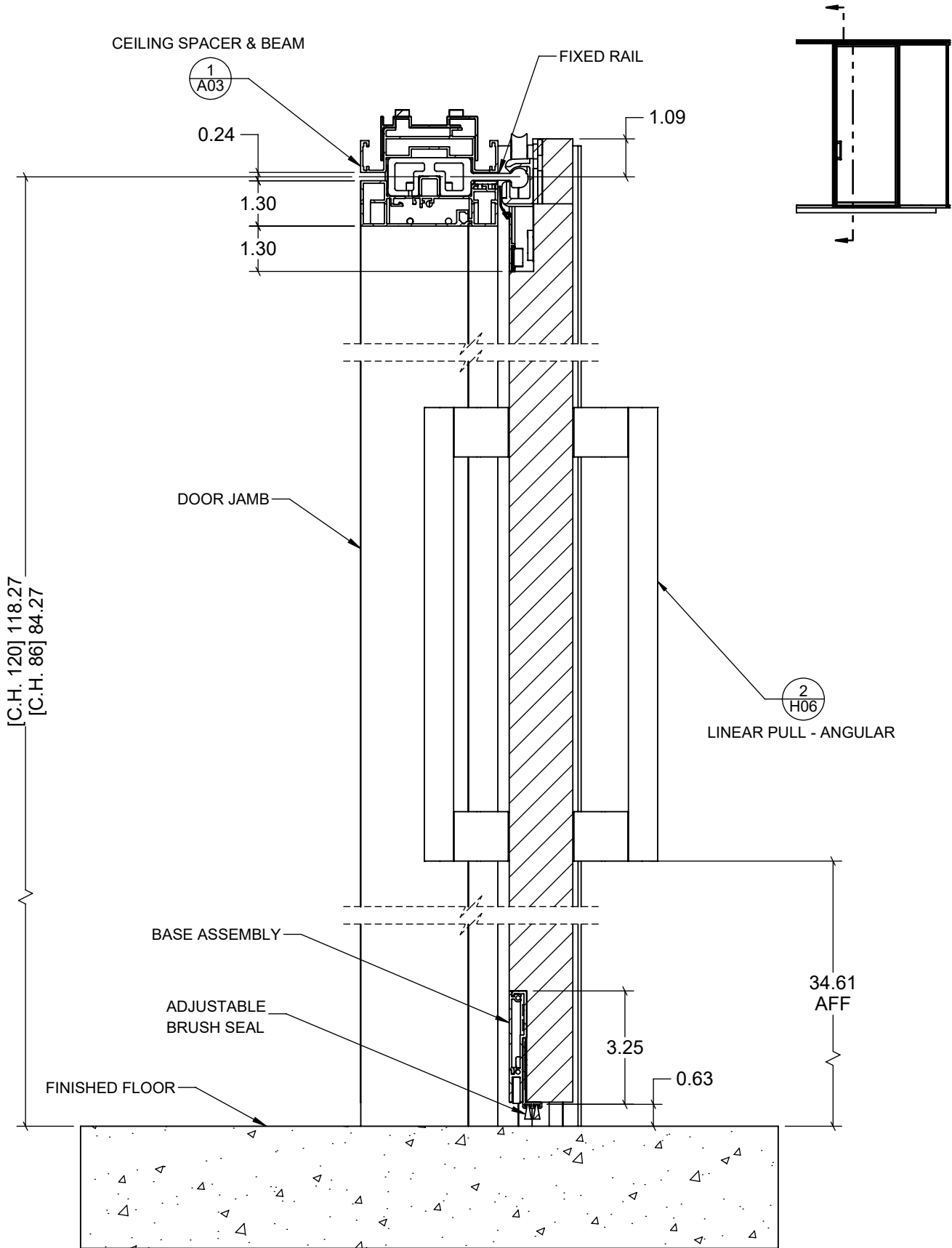
UNIT INCH

SCALE 1:4

THIS DRAWING IS THE PROPERTY OF TEKNION LIMITED AND IS SUBJECT TO RETURN UPON DEMAND. IT MUST NOT BE SUBMITTED TO ANY OUTSIDE PARTIES FOR EXAMINATION WITHOUT TEKNION CONSENT. THIS DRAWING MUST NOT BE SCALED OR USED FOR CONSTRUCTION PURPOSES

Publish Date: Feb 23 2026

teknion



6/V SOLID SLIDING DOOR LEAF SINGLE - FIXED RAIL  
S06 WITH JAMB AND LINEAR PULL - ANGULAR

OPTOS LP - DOORS SLIDING

MODIFIED SEPTEMBER 29, 2024

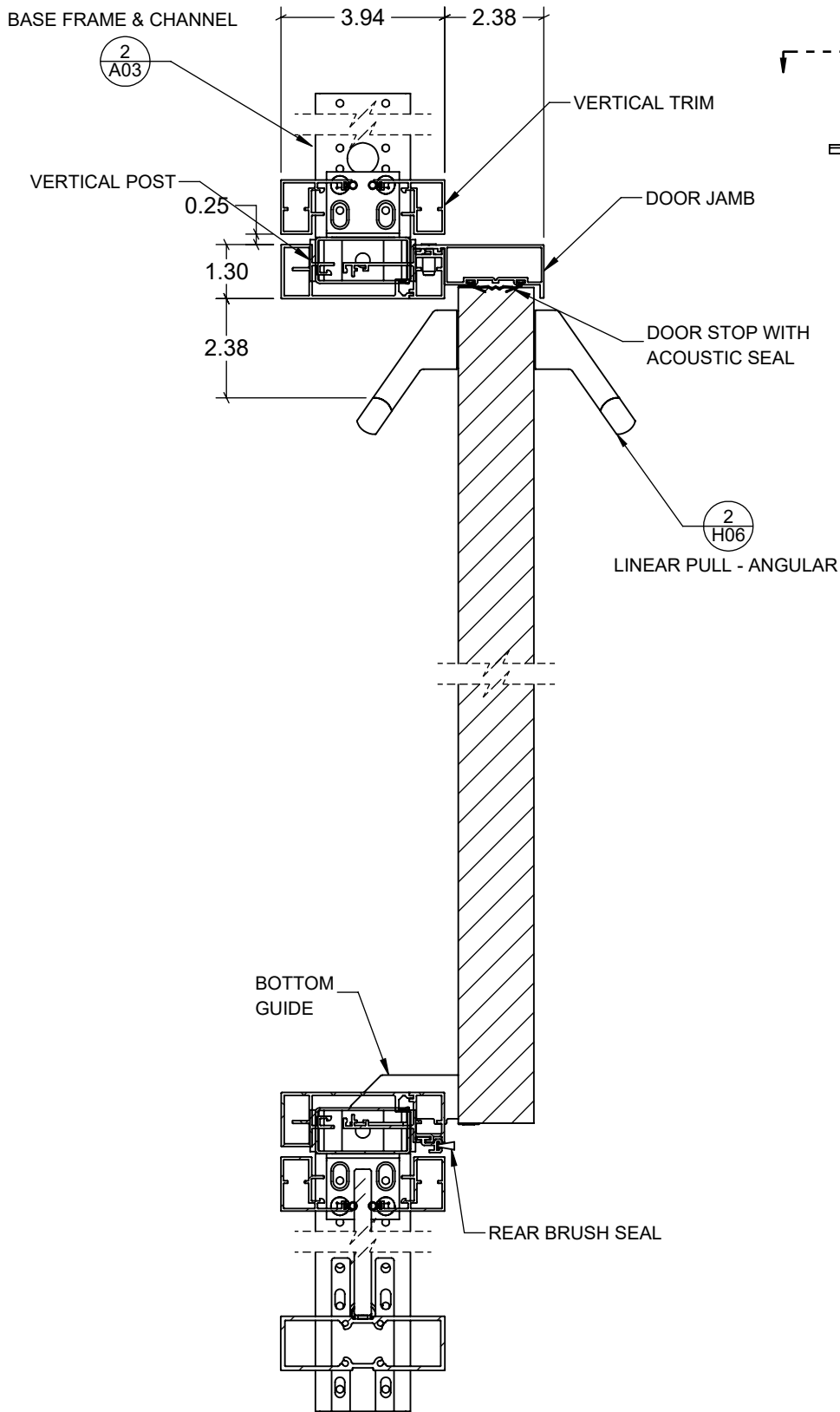
UNIT INCH

SCALE 1:4

THIS DRAWING IS THE PROPERTY OF TEKNION LIMITED AND IS SUBJECT TO RETURN UPON DEMAND. IT MUST NOT BE SUBMITTED TO ANY OUTSIDE PARTIES FOR EXAMINATION WITHOUT TEKNION CONSENT. THIS DRAWING MUST NOT BE SCALED OR USED FOR CONSTRUCTION PURPOSES

Publish Date: Feb 23 2026

teknion



**6/HC**  
**S06**
**SOLID SLIDING DOOR LEAF SINGLE - FIXED RAIL**  
**WITH JAMB AND LINEAR PULL - ANGULAR**

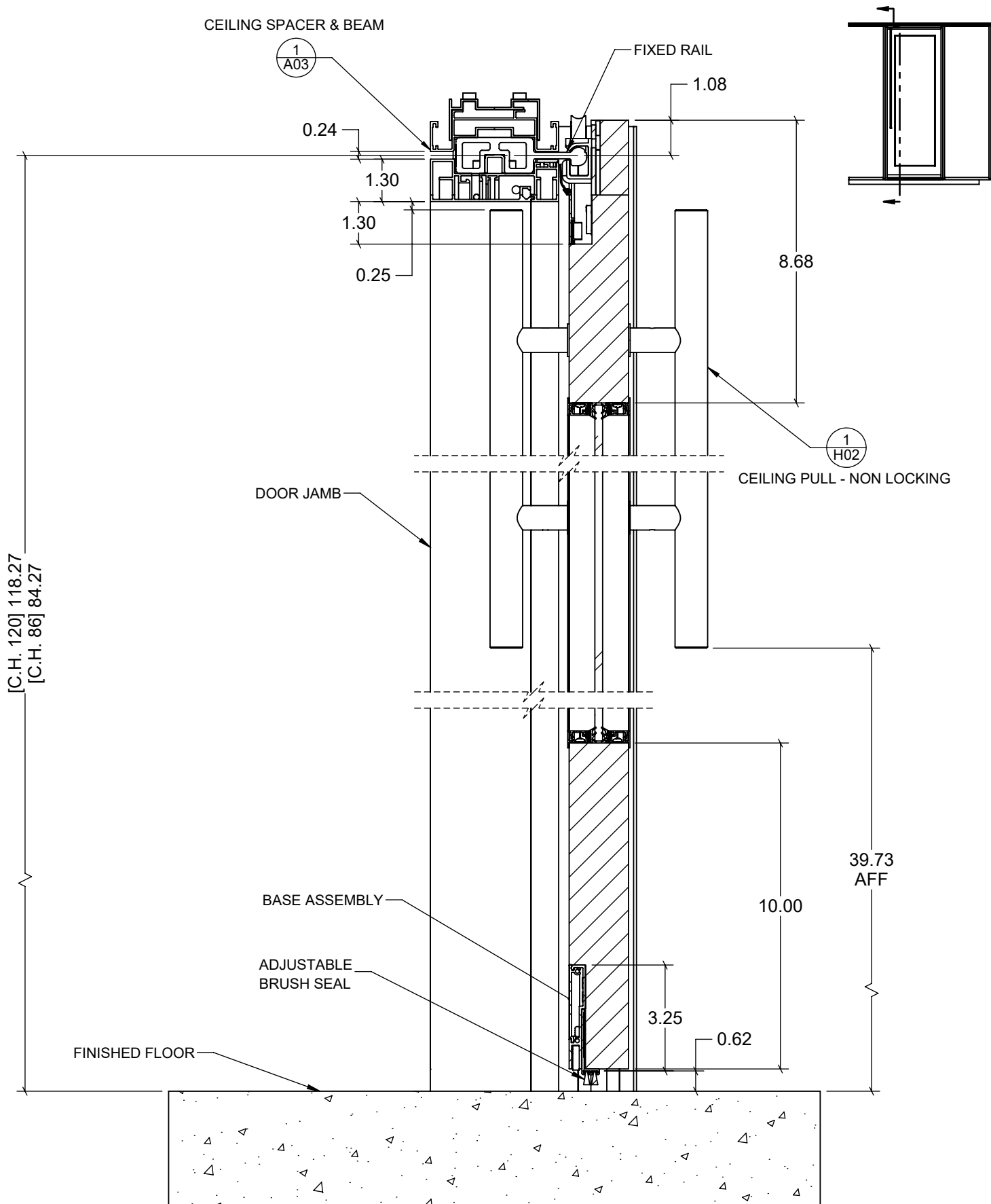
**OPTOS LP - DOORS SLIDING**

MODIFIED SEPTEMBER 29, 2024

UNIT INCH

SCALE 1:4





1/V  
S07

GLASS INSERT SLIDING DOOR LEAF SINGLE - FIXED RAIL  
WITH JAMB AND CEILING PULL - NON LOCKING

OPTOS - LP - DOOR SLIDING

MODIFIED SEPTEMBER 29, 2024

UNIT INCH

SCALE 1:4

THIS DRAWING IS THE PROPERTY OF TEKNION LIMITED AND IS SUBJECT TO RETURN UPON DEMAND. IT MUST NOT BE SUBMITTED TO ANY OUTSIDE PARTIES FOR EXAMINATION WITHOUT TEKNION CONSENT. THIS DRAWING MUST NOT BE SCALED OR USED FOR CONSTRUCTION PURPOSES

Publish Date: Feb 23 2026

teknion

BASE FRAME & CHANNEL

2  
A03

3.94

2.39

VERTICAL POST

0.24

1.30

2.22

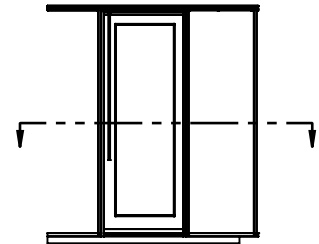
VERTICAL TRIM

DOOR JAMB

DOOR STOP WITH  
ACOUSTIC SEAL

1  
H02

CEILING PULL - NON LOCKING



0.525

0.15

MAIN  
EXTRUSION

COVER

GASKET

0.22

BOTTOM  
GUIDE

REAR BRUSH SEAL

1/HC GLASS INSERT SLIDING DOOR LEAF SINGLE - FIXED RAIL  
S07 WITH JAMB AND CEILING PULL - NON LOCKING

OPTOS - LP - DOORS SLIDING

MODIFIED SEPTEMBER 29, 2024

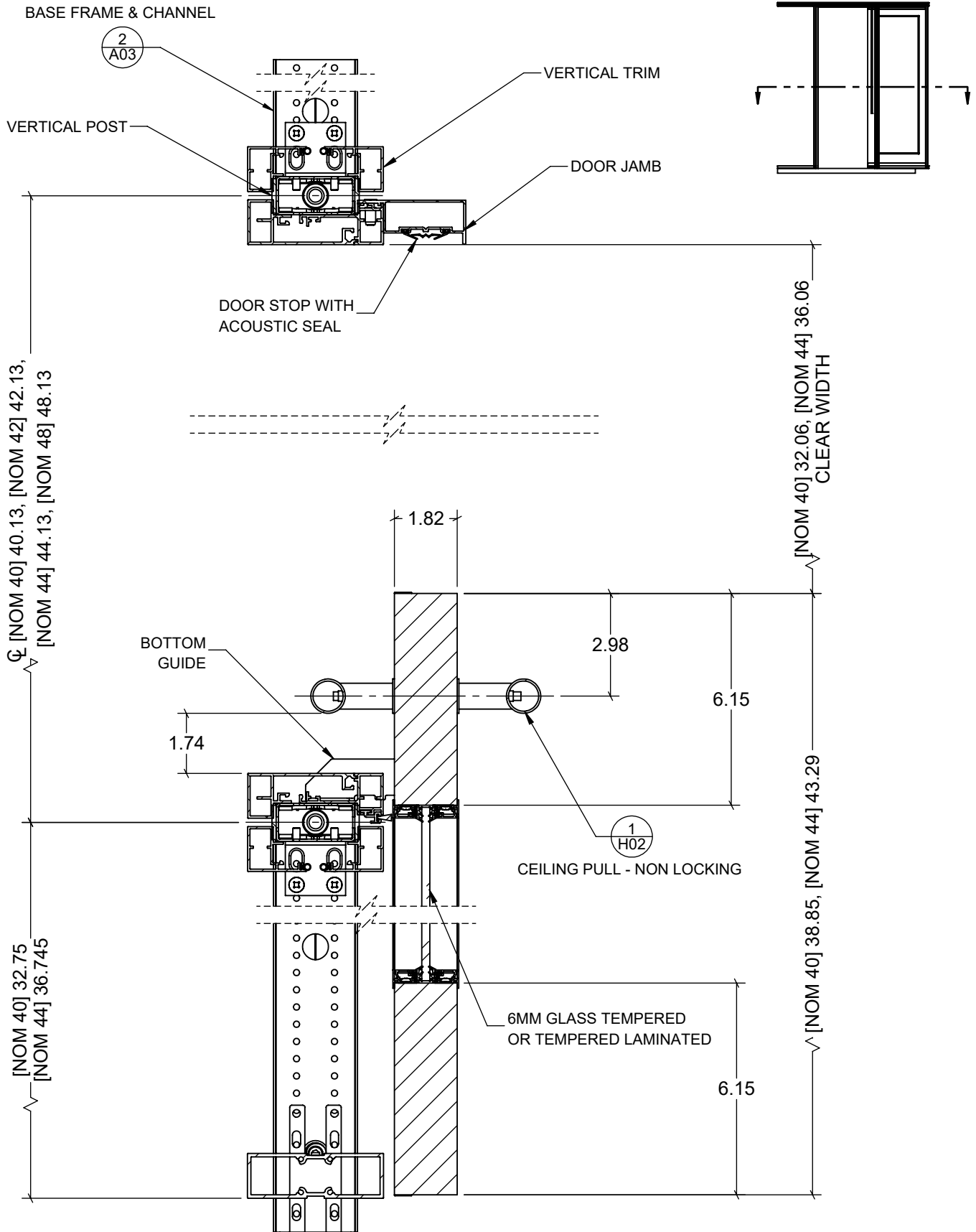
UNIT INCH

SCALE 1:4

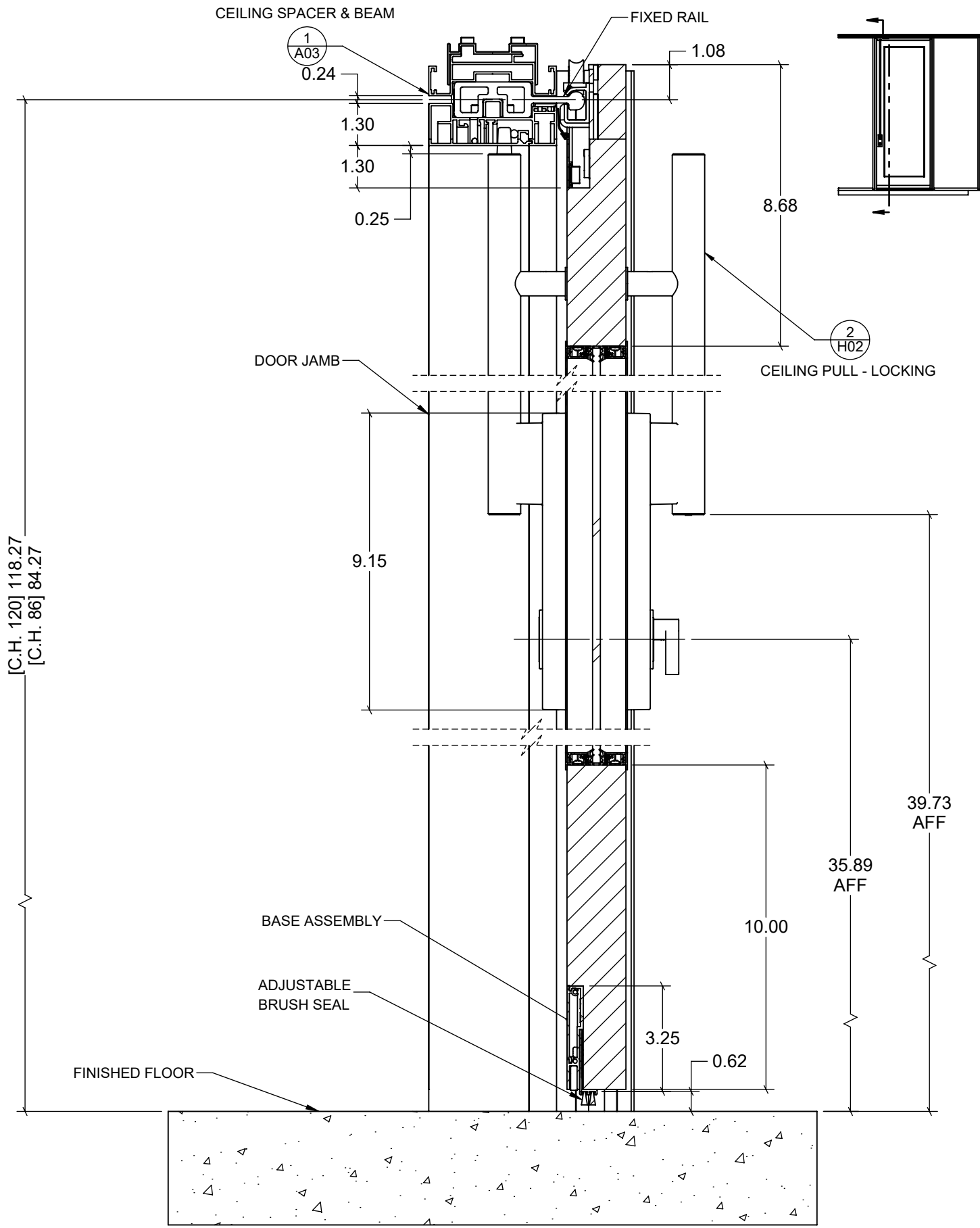
THIS DRAWING IS THE PROPERTY OF TEKNION LIMITED AND IS SUBJECT TO RETURN UPON DEMAND. IT MUST NOT BE SUBMITTED TO ANY OUTSIDE PARTIES FOR EXAMINATION WITHOUT TEKNION CONSENT. THIS DRAWING MUST NOT BE SCALED OR USED FOR CONSTRUCTION PURPOSES

Publish Date: Feb 23 2026

teknion



1/HO GLASS INSERT SLIDING DOOR LEAF SINGLE - FIXED RAIL  
 S07 WITH JAMB AND CEILING PULL - NON LOCKING



2/V  
S07

GLASS INSERT SLIDING DOOR LEAF SINGLE - FIXED RAIL  
WITH JAMB AND CEILING PULL - LOCKING

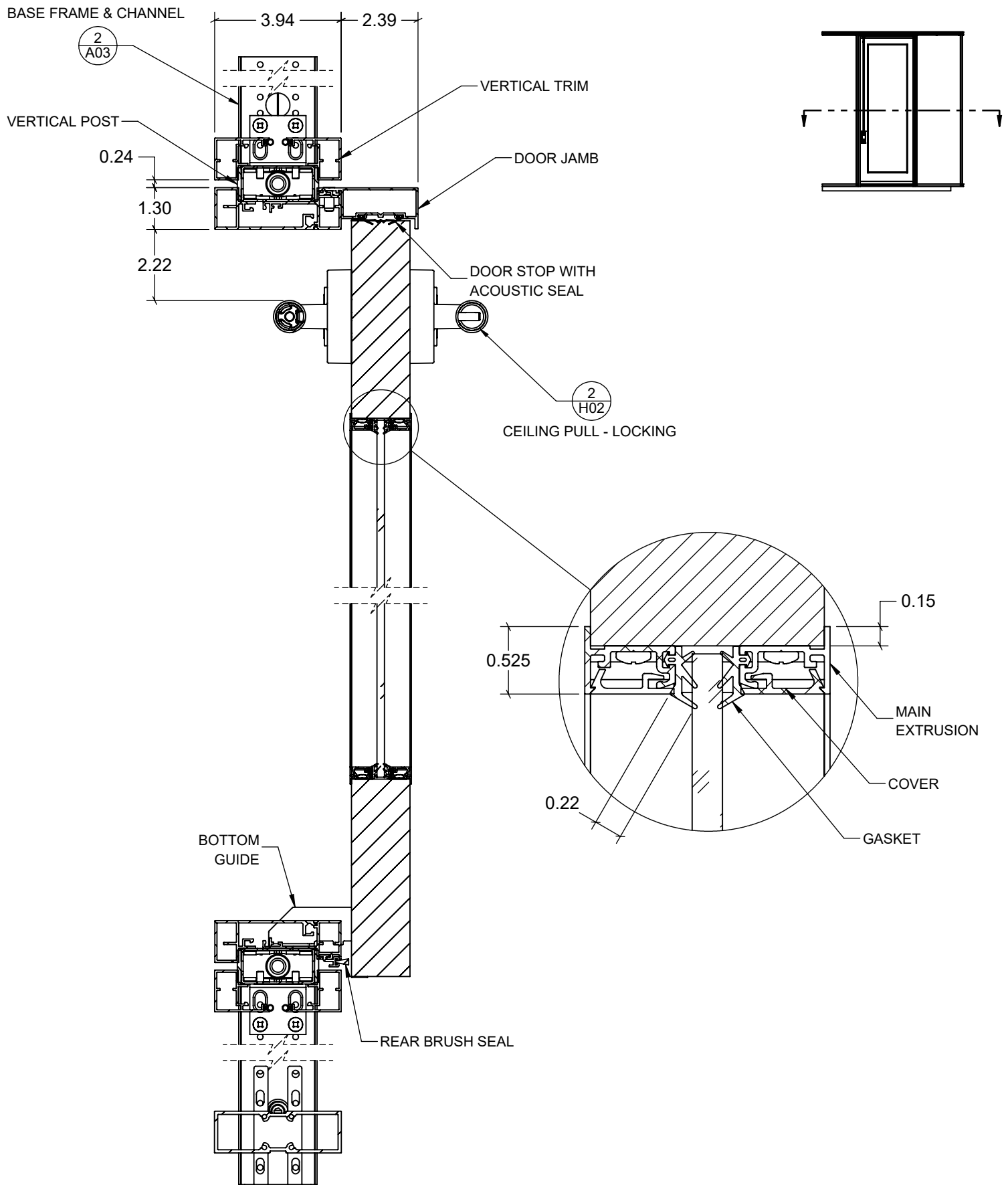
OPTOS - LP - DOORS SLIDING

MODIFIED	SEPTEMBER 29, 2024	UNIT	INCH	SCALE	1:4
----------	--------------------	------	------	-------	-----

THIS DRAWING IS THE PROPERTY OF TEKNION LIMITED AND IS SUBJECT TO RETURN UPON DEMAND. IT MUST NOT BE SUBMITTED TO ANY OUTSIDE PARTIES FOR EXAMINATION WITHOUT TEKNION CONSENT. THIS DRAWING MUST NOT BE SCALED OR USED FOR CONSTRUCTION PURPOSES

Publish Date: Feb 23 2026





2/HC GLASS INSERT SLIDING DOOR LEAF SINGLE - FIXED RAIL  
 S07 WITH JAMB AND CEILING PULL - LOCKING

OPTOS-LP - DOORS SLIDING

MODIFIED SEPTEMBER 29, 2024

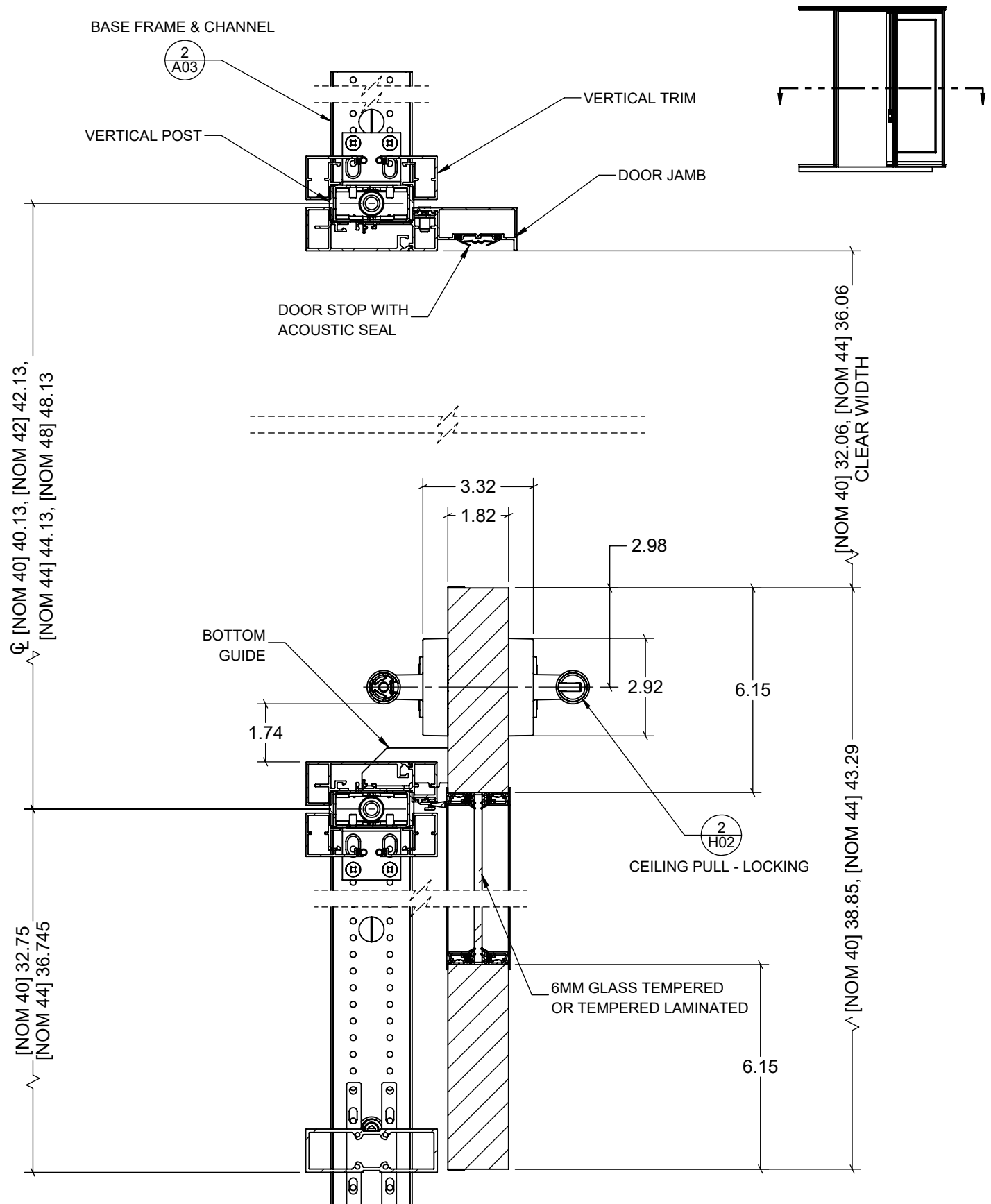
UNIT INCH

SCALE 1:4

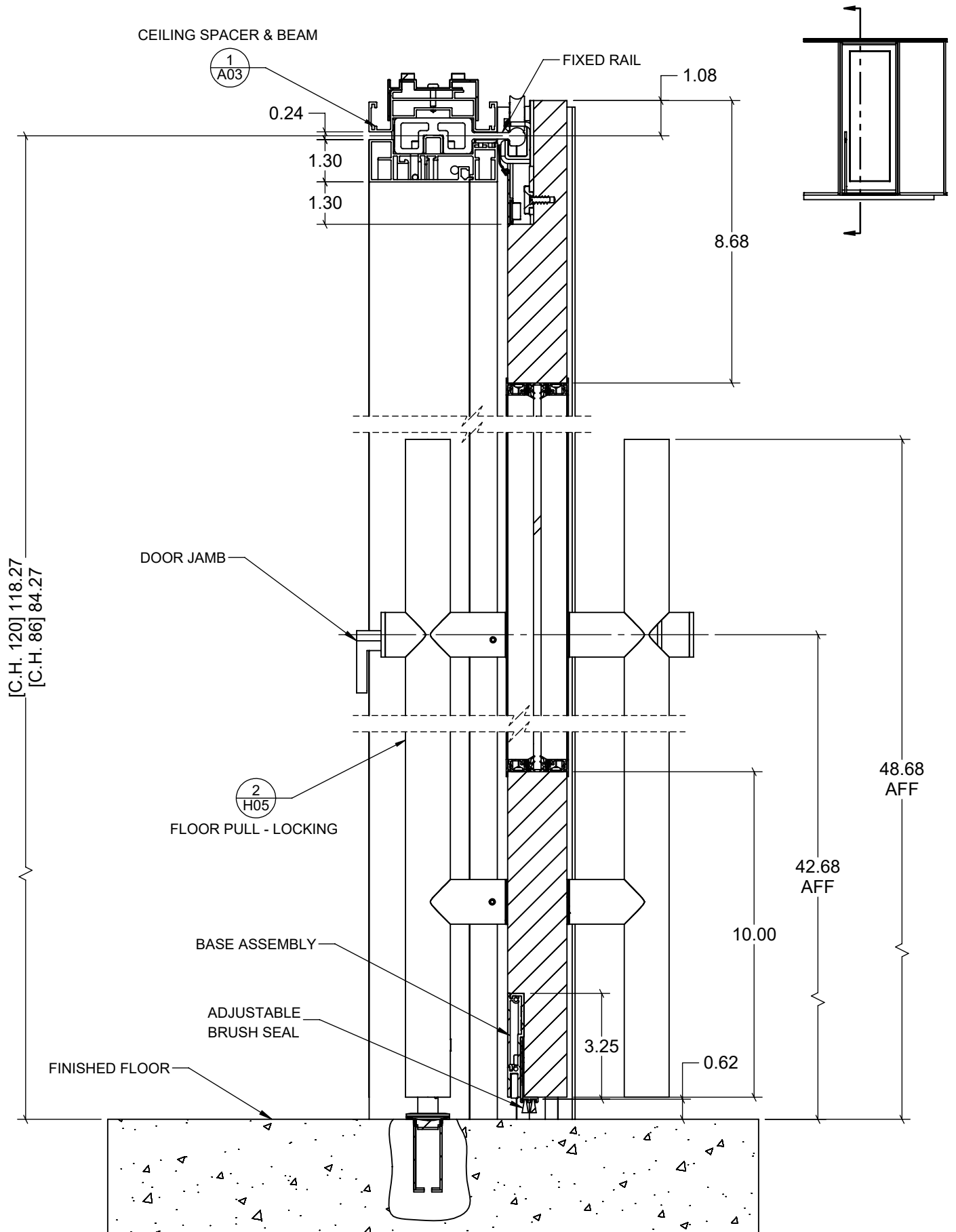
THIS DRAWING IS THE PROPERTY OF TEKNION LIMITED AND IS SUBJECT TO RETURN UPON DEMAND. IT MUST NOT BE SUBMITTED TO ANY OUTSIDE PARTIES FOR EXAMINATION WITHOUT TEKNION CONSENT. THIS DRAWING MUST NOT BE SCALED OR USED FOR CONSTRUCTION PURPOSES

Publish Date: Feb 23 2026

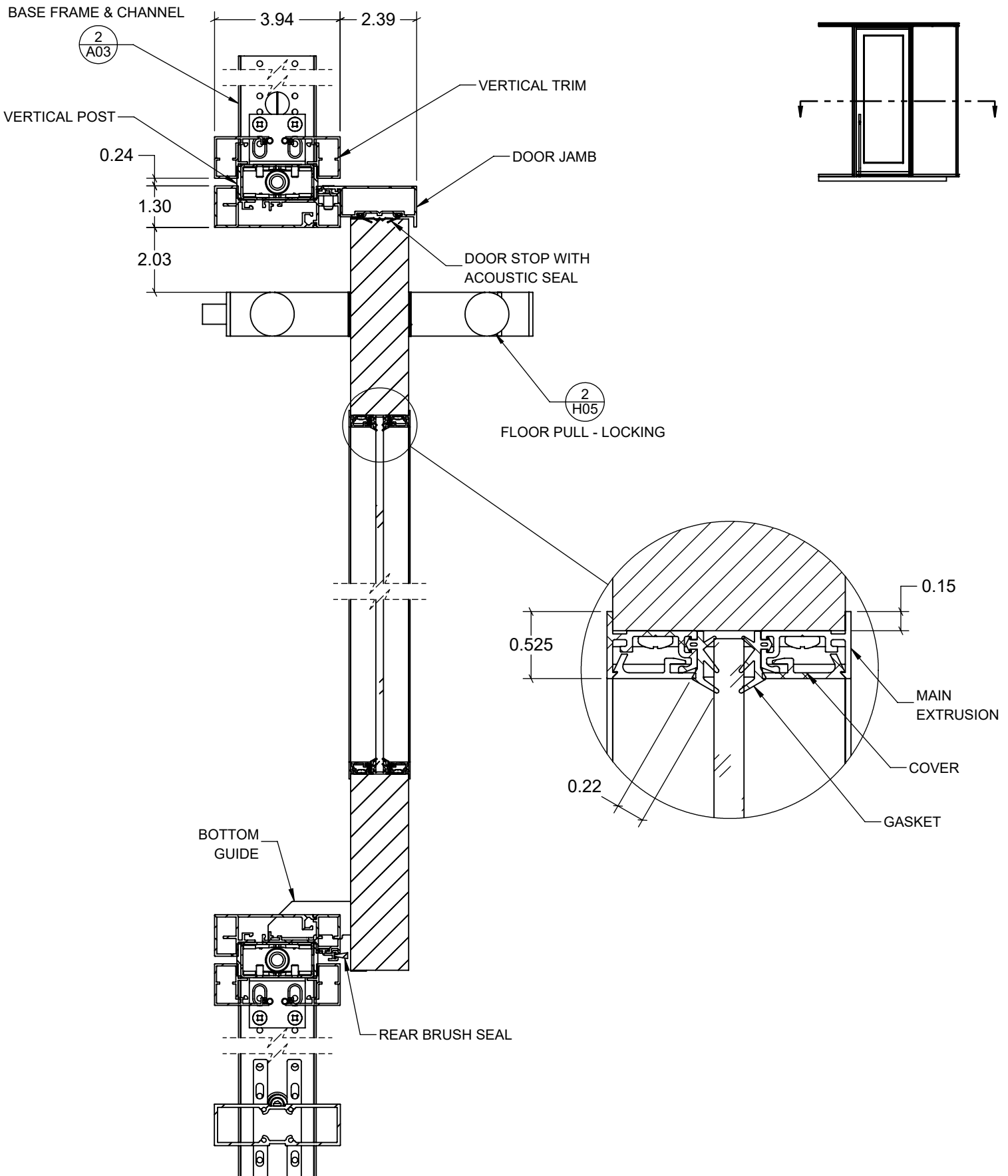
teknion



2/HO GLASS INSERT SLIDING DOOR LEAF SINGLE - FIXED RAIL  
 S07 WITH JAMB AND CEILING PULL - LOCKING



3/V GLASS INSERT SLIDING DOOR LEAF SINGLE - FIXED RAIL  
 S07 WITH JAMB AND FLOOR PULL - LOCKING



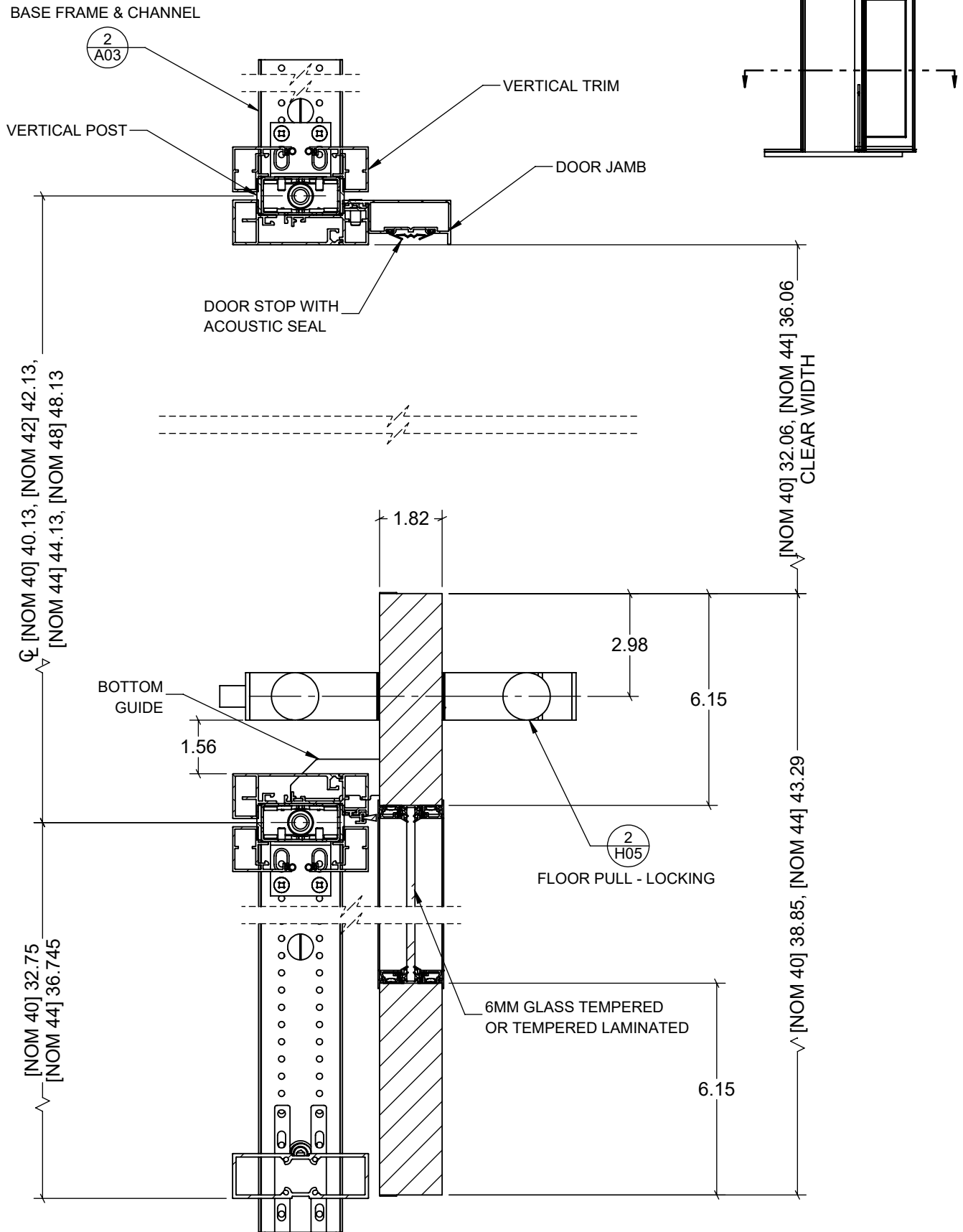
**3/HC** GLASS INSERT SLIDING DOOR LEAF SINGLE - FIXED RAIL  
**S07** WITH JAMB AND FLOOR PULL - LOCKING

OPTOS - LP - DOOR SLIDING

MODIFIED SEPTEMBER 29, 2024

UNIT INCH

SCALE 1:4



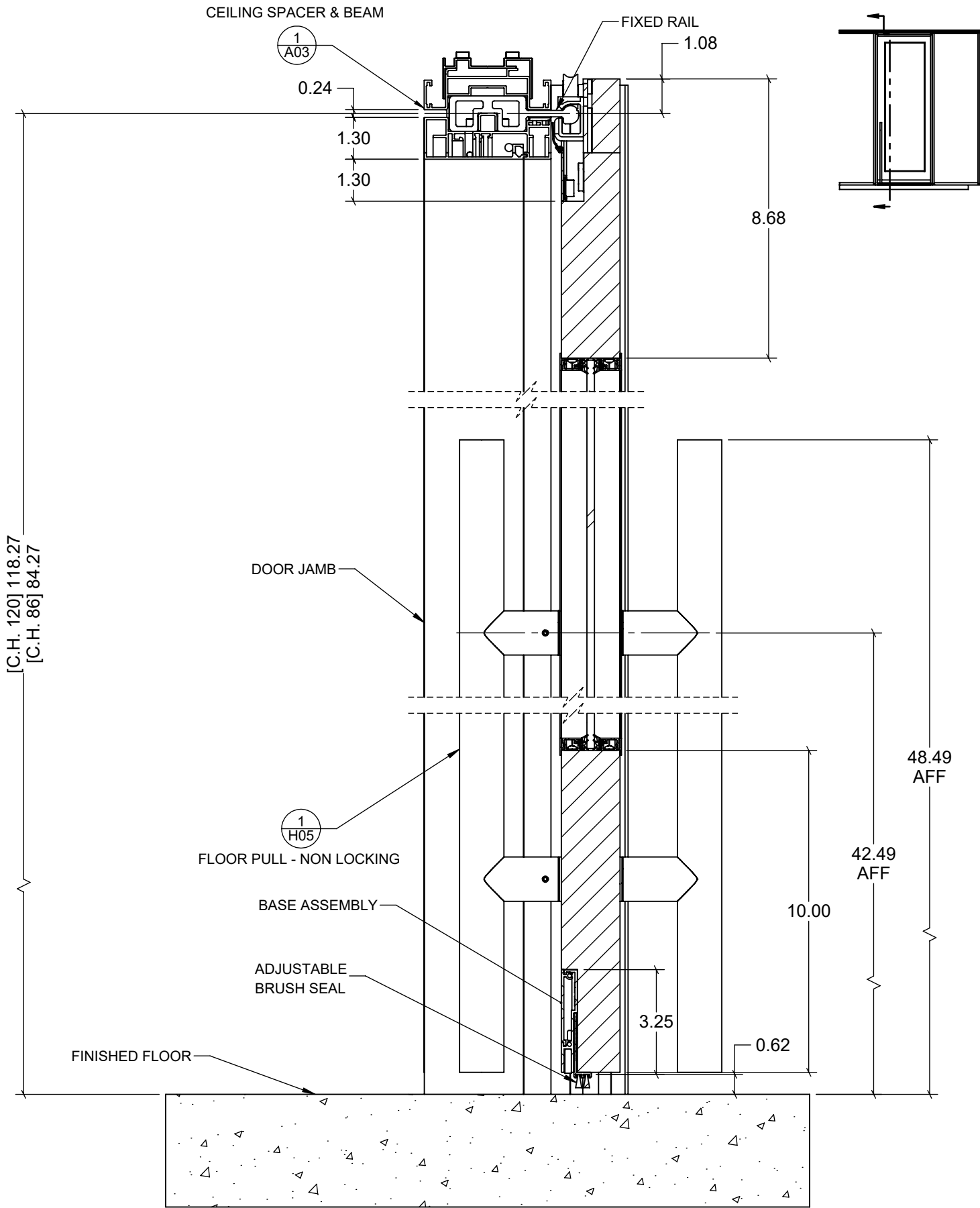
3/HO GLASS INSERT SLIDING DOOR LEAF SINGLE - FIXED RAIL  
 S07 WITH JAMB AND FLOOR PULL - LOCKING

OPTOS - LP - DOOR SLIDING

MODIFIED SEPTEMBER 29, 2024

UNIT INCH

SCALE 1:4



4/V GLASS INSERT SLIDING DOOR LEAF SINGLE - FIXED RAIL  
 S07 WITH JAMB AND FLOOR PULL - NON LOCKING

OPTOS - LP - DOOR SLIDING

MODIFIED SEPTEMBER 29, 2024

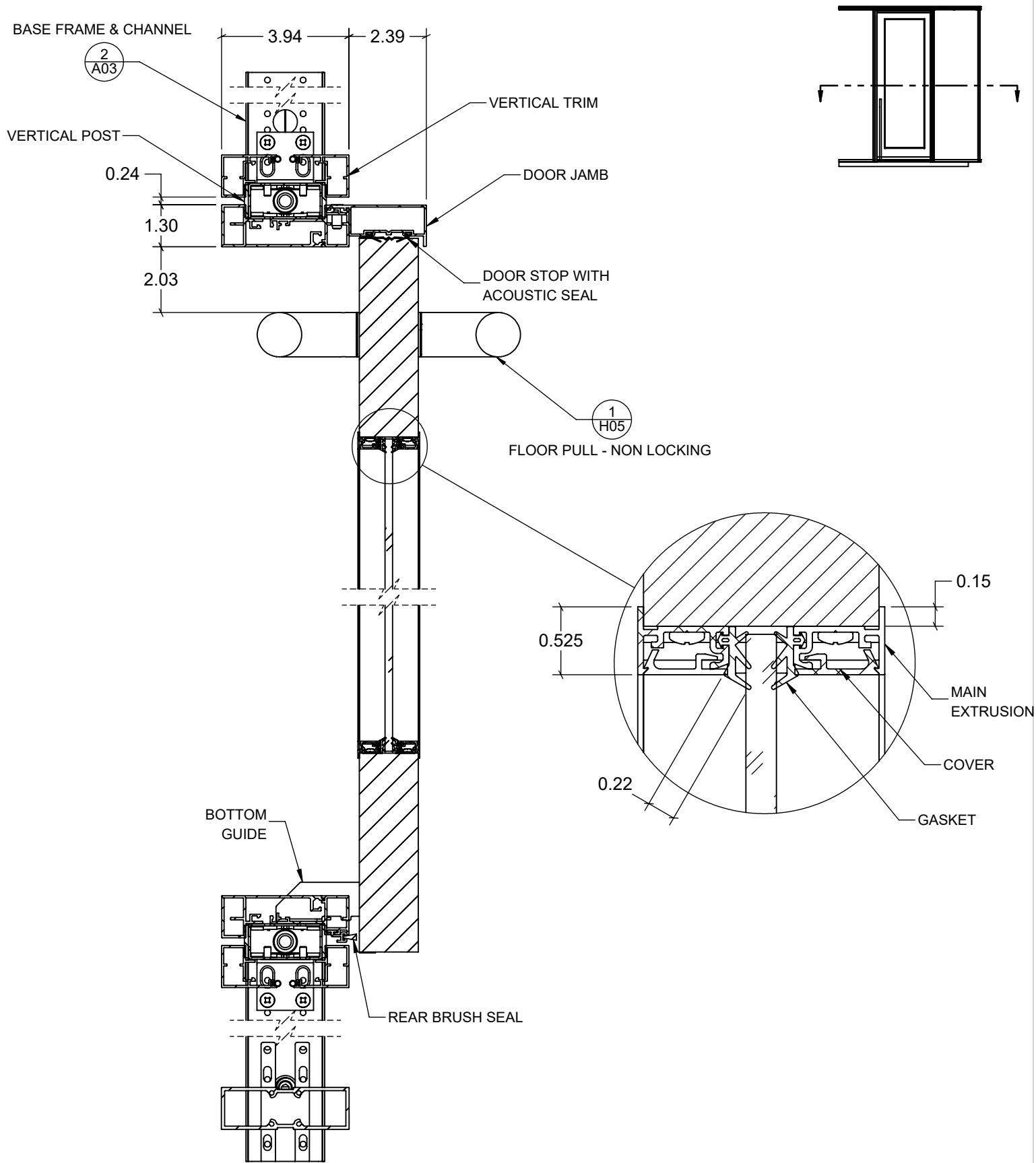
UNIT INCH

SCALE 1:4

THIS DRAWING IS THE PROPERTY OF TEKNION LIMITED AND IS SUBJECT TO RETURN UPON DEMAND. IT MUST NOT BE SUBMITTED TO ANY OUTSIDE PARTIES FOR EXAMINATION WITHOUT TEKNION CONSENT. THIS DRAWING MUST NOT BE SCALED OR USED FOR CONSTRUCTION PURPOSES

Publish Date: Feb 23 2026

teknion



**4/HC** GLASS INSERT SLIDING DOOR LEAF SINGLE - FIXED RAIL  
**S07** WITH JAMB AND FLOOR PULL - NON LOCKING

OPTOS - LP - DOOR SLIDING

MODIFIED SEPTEMBER 29, 2024

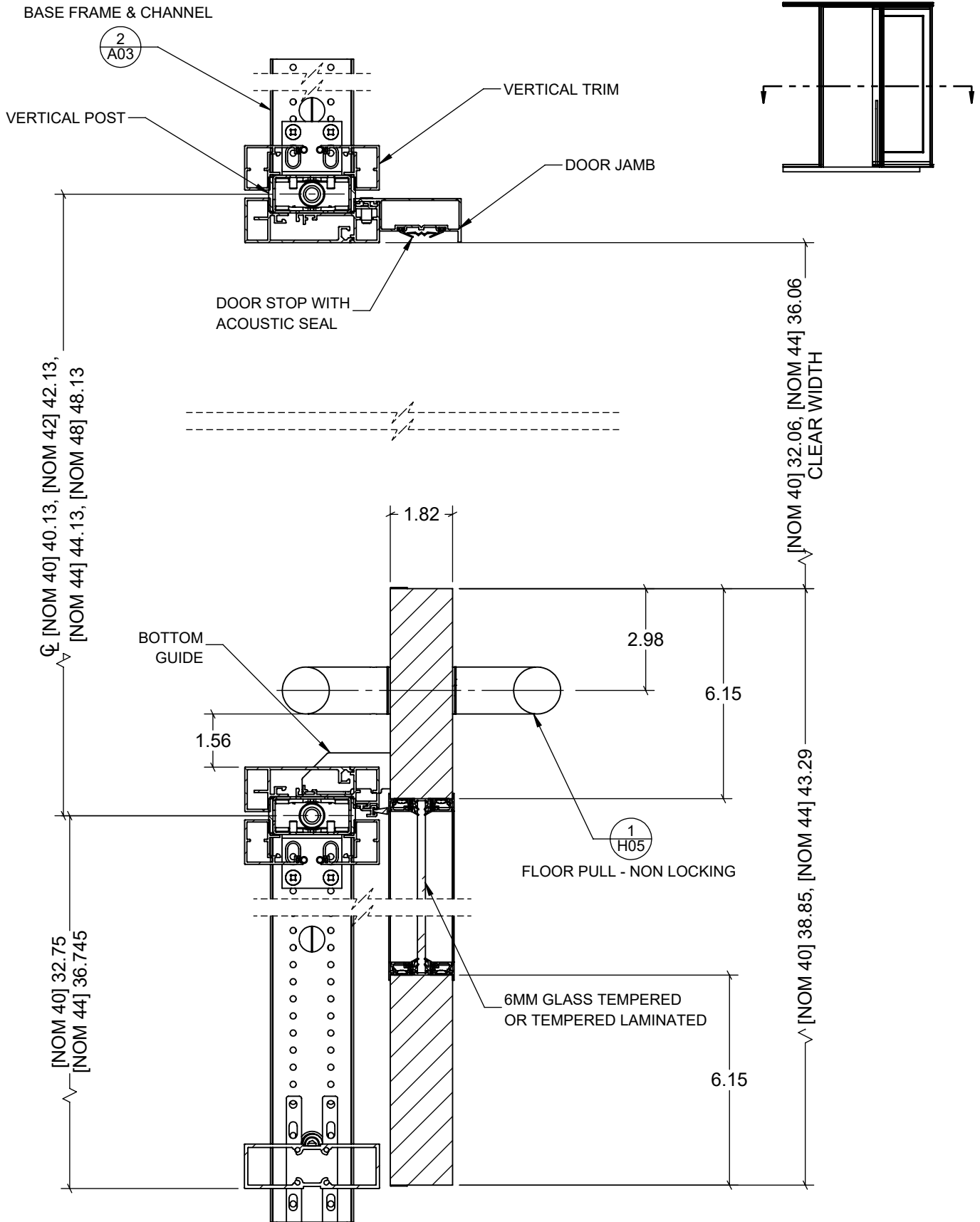
UNIT INCH

SCALE 1:4

THIS DRAWING IS THE PROPERTY OF TEKNION LIMITED AND IS SUBJECT TO RETURN UPON DEMAND. IT MUST NOT BE SUBMITTED TO ANY OUTSIDE PARTIES FOR EXAMINATION WITHOUT TEKNION CONSENT. THIS DRAWING MUST NOT BE SCALED OR USED FOR CONSTRUCTION PURPOSES

Publish Date: Feb 23 2026

teknion



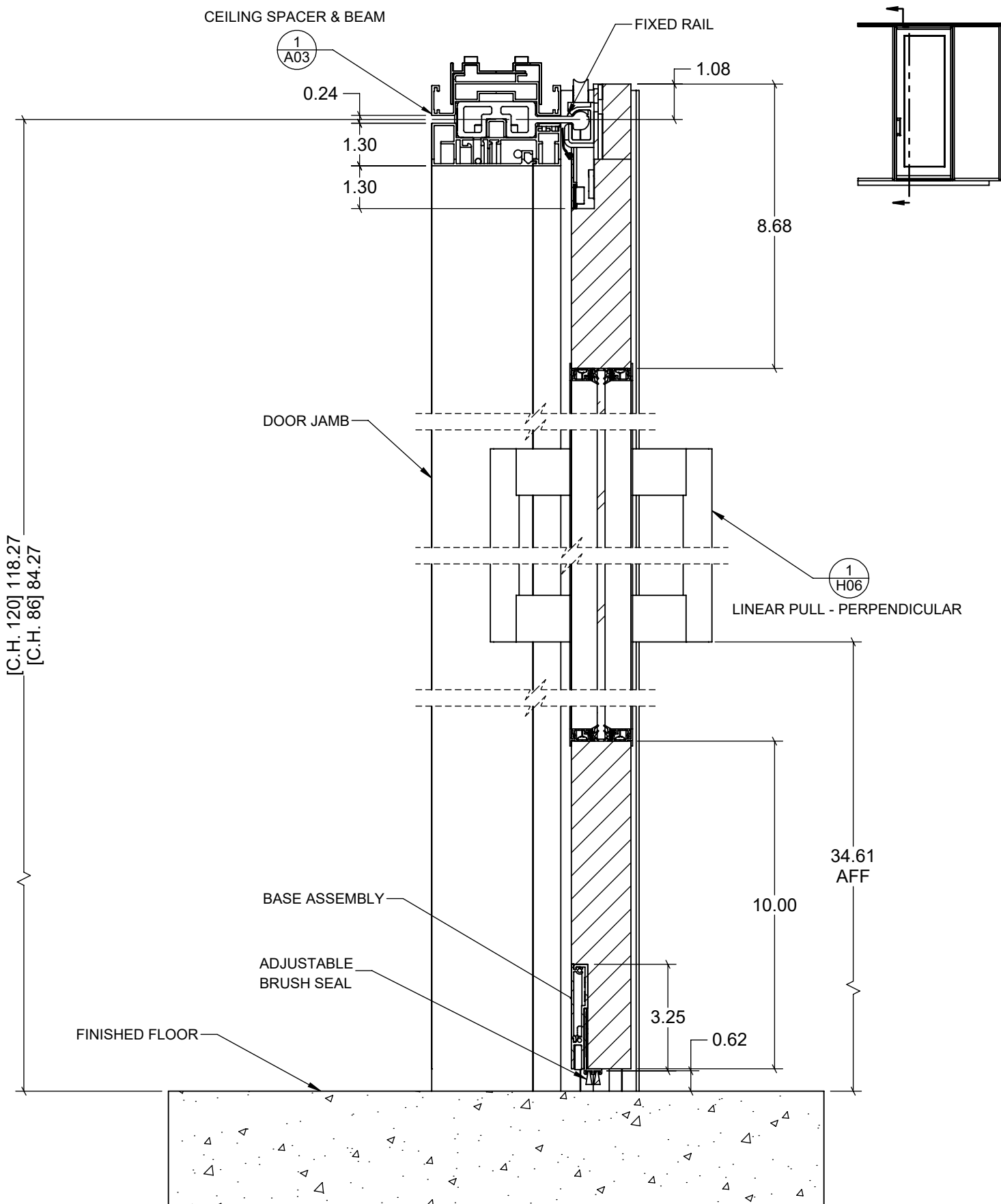
4/HO GLASS INSERT SLIDING DOOR LEAF SINGLE - FIXED RAIL  
 S07 WITH JAMB AND FLOOR PULL - NON LOCKING

OPTOS - LP - DOOR SLIDING

MODIFIED SEPTEMBER 29, 2024

UNIT INCH

SCALE 1:4



5/V  
S07

GLASS INSERT SLIDING DOOR LEAF SINGLE - FIXED RAIL  
WITH JAMB AND LINEAR PULL - PERPENDICULAR

OPTOS - LP - DOOR SLIDING

MODIFIED SEPTEMBER 29, 2024

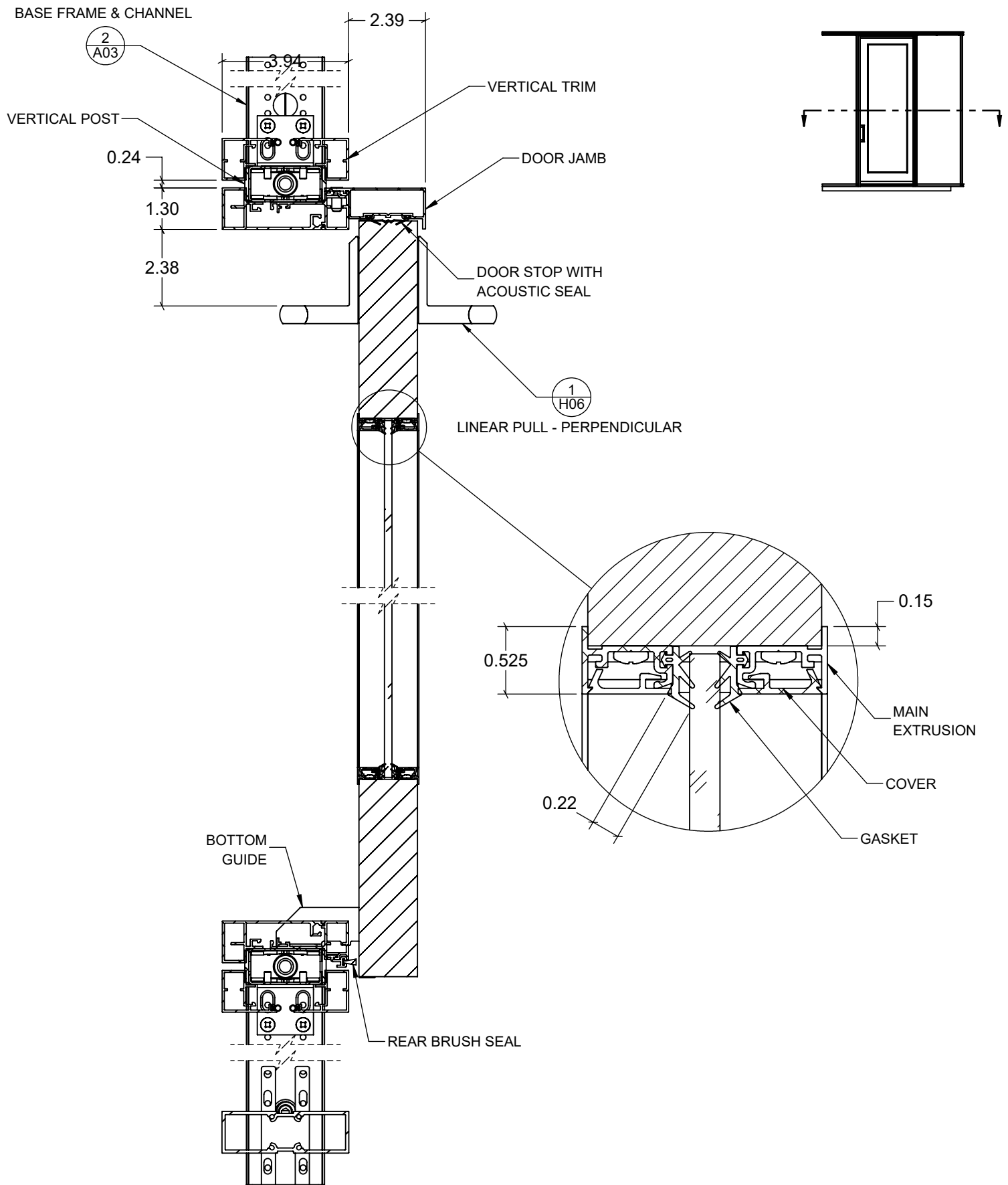
UNIT INCH

SCALE 1:4

THIS DRAWING IS THE PROPERTY OF TEKNION LIMITED AND IS SUBJECT TO RETURN UPON DEMAND. IT MUST NOT BE SUBMITTED TO ANY OUTSIDE PARTIES FOR EXAMINATION WITHOUT TEKNION CONSENT. THIS DRAWING MUST NOT BE SCALED OR USED FOR CONSTRUCTION PURPOSES

Publish Date: Feb 23 2026

teknion



5/HC GLASS INSERT SLIDING DOOR LEAF SINGLE - FIXED RAIL  
 S07 WITH JAMB AND LINEAR PULL - PERPENDICULAR

OPTOS - LP - DOOR SLIDING

MODIFIED SEPTEMBER 29, 2024

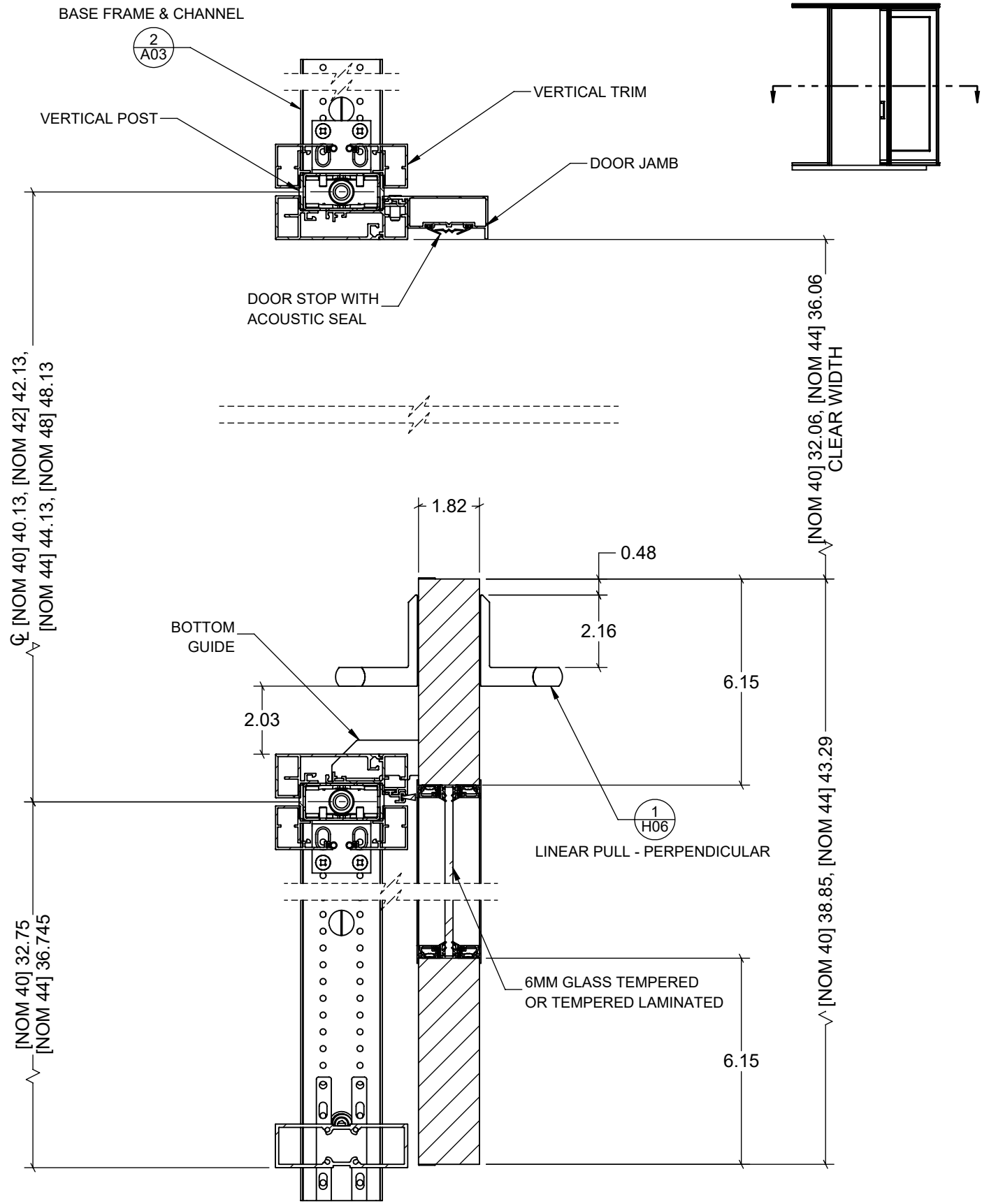
UNIT INCH

SCALE 1:4

THIS DRAWING IS THE PROPERTY OF TEKNION LIMITED AND IS SUBJECT TO RETURN UPON DEMAND. IT MUST NOT BE SUBMITTED TO ANY OUTSIDE PARTIES FOR EXAMINATION WITHOUT TEKNION CONSENT. THIS DRAWING MUST NOT BE SCALED OR USED FOR CONSTRUCTION PURPOSES

Publish Date: Feb 23 2026

teknion



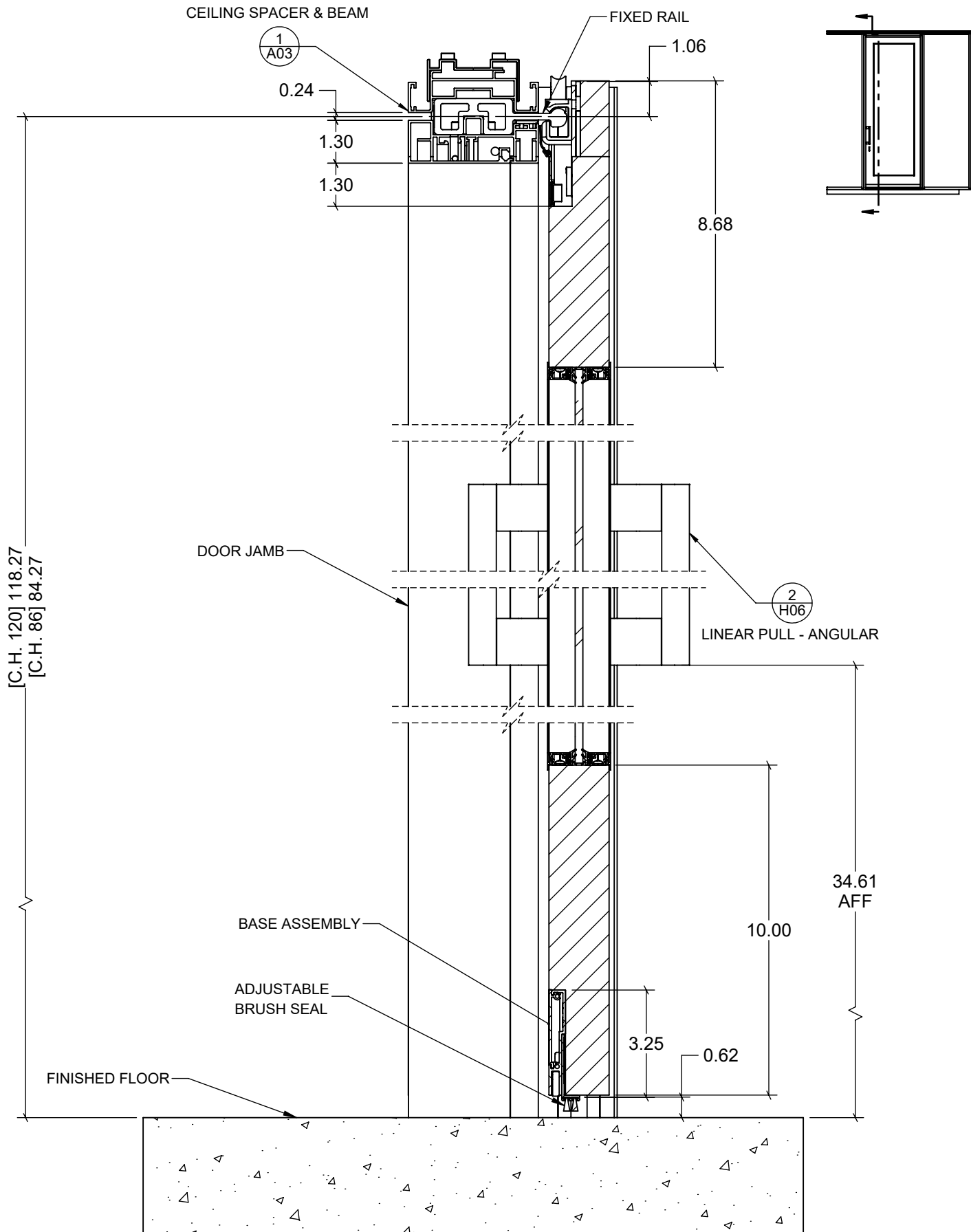
5/HO GLASS INSERT SLIDING DOOR LEAF SINGLE - FIXED RAIL  
 S07 WITH JAMB AND LINEAR PULL - PERPENDICULAR

OPTOS - LP - DOOR SLIDING

MODIFIED SEPTEMBER 29, 2024

UNIT INCH

SCALE 1:4



6/V GLASS INSERT SLIDING DOOR LEAF SINGLE - FIXED RAIL  
 S07 WITH JAMB AND LINEAR PULL - ANGULAR

OPTOS - LP - DOOR SLIDING

MODIFIED SEPTEMBER 29, 2024

UNIT INCH

SCALE 1:4

THIS DRAWING IS THE PROPERTY OF TEKNION LIMITED AND IS SUBJECT TO RETURN UPON DEMAND. IT MUST NOT BE SUBMITTED TO ANY OUTSIDE PARTIES FOR EXAMINATION WITHOUT TEKNION CONSENT. THIS DRAWING MUST NOT BE SCALED OR USED FOR CONSTRUCTION PURPOSES

Publish Date: Feb 23 2026

teknion

BASE FRAME & CHANNEL

2  
A03

2.39

3.94

VERTICAL TRIM

VERTICAL POST

0.24

DOOR JAMB

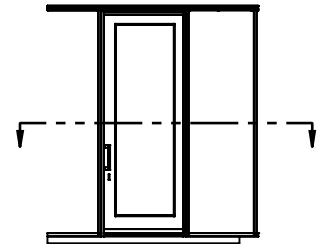
1.30

DOOR STOP WITH  
ACOUSTIC SEAL

2.38

2  
H06

LINEAR PULL - ANGULAR



0.525

0.15

MAIN  
EXTRUSION

COVER

GASKET

0.22

BOTTOM  
GUIDE

REAR BRUSH SEAL

6/HC  
S07

GLASS INSERT SLIDING DOOR LEAF SINGLE - FIXED RAIL  
WITH JAMB AND LINEAR PULL - ANGULAR

OPTOS - LP - DOOR SLIDING

MODIFIED SEPTEMBER 29, 2024

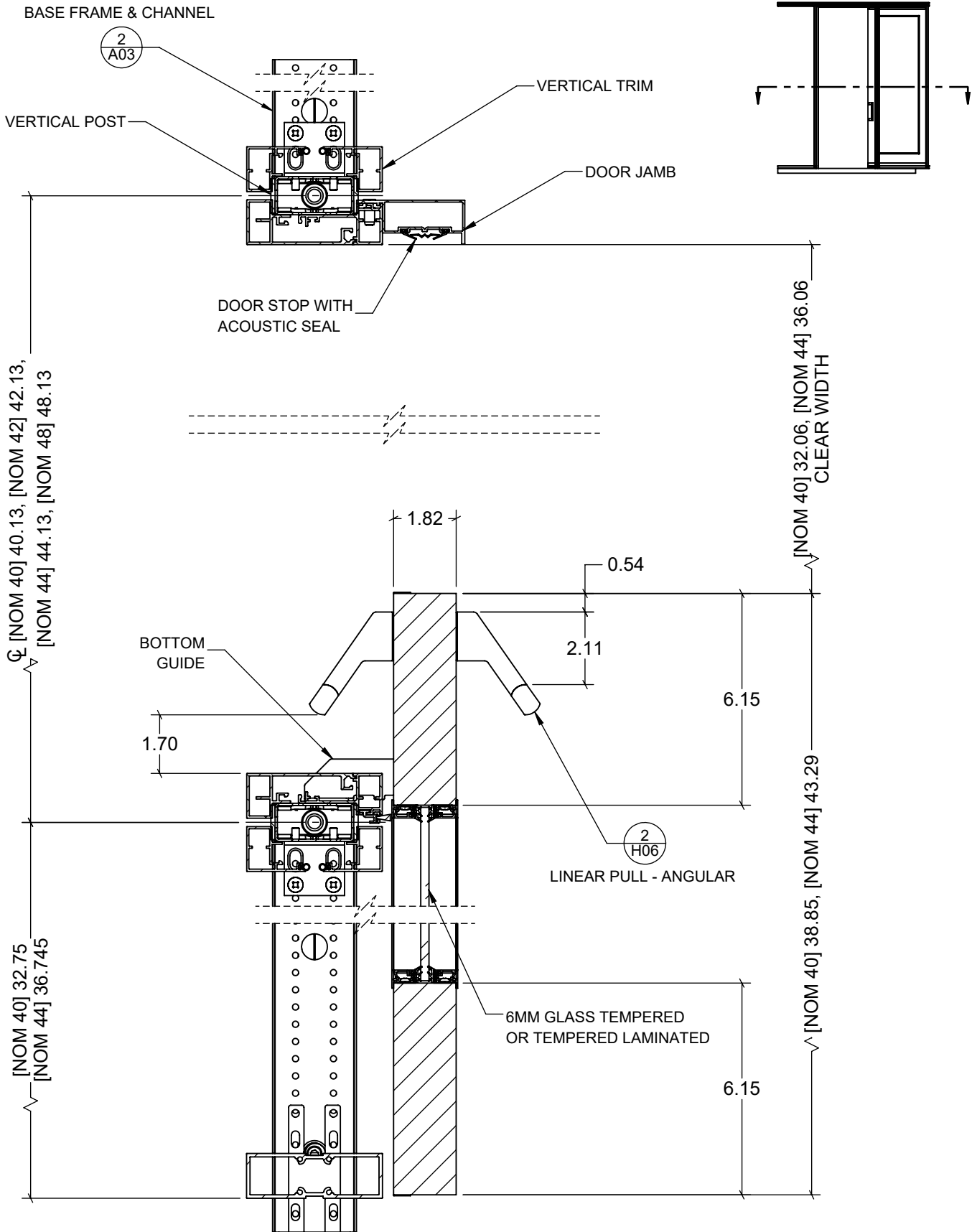
UNIT INCH

SCALE 1:4

THIS DRAWING IS THE PROPERTY OF TEKNION LIMITED AND IS SUBJECT TO RETURN UPON DEMAND. IT MUST NOT BE SUBMITTED TO ANY OUTSIDE PARTIES FOR EXAMINATION WITHOUT TEKNION CONSENT. THIS DRAWING MUST NOT BE SCALED OR USED FOR CONSTRUCTION PURPOSES

Publish Date: Feb 23 2026

teknion



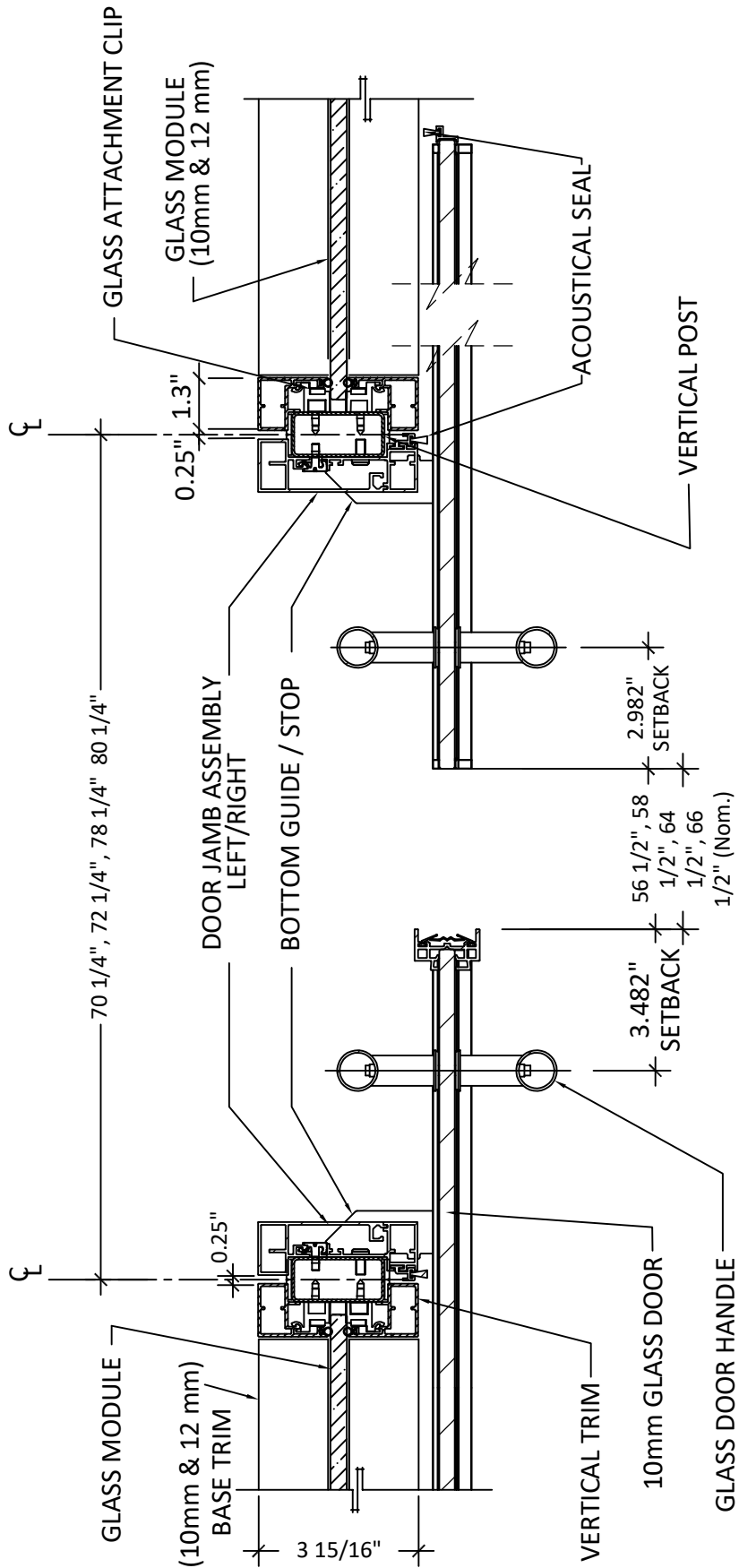
6/HO GLASS INSERT SLIDING DOOR LEAF SINGLE - FIXED RAIL  
S07 WITH JAMB AND LINEAR PULL - ANGULAR

OPTOS - LP - DOOR SLIDING

MODIFIED SEPTEMBER 29, 2024

UNIT INCH

SCALE 1:4

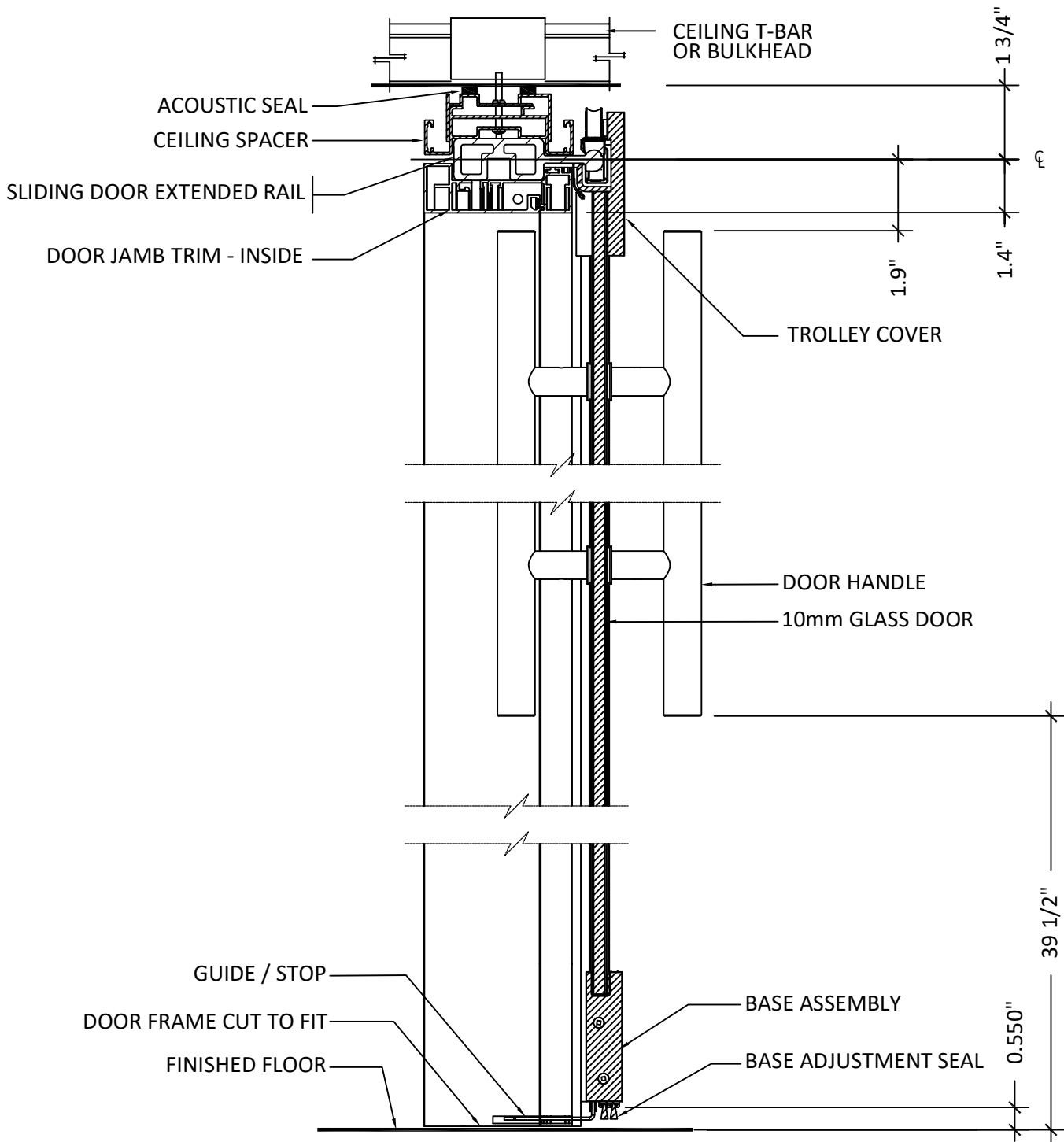


(WHEN DOORS FULLY OPENED)

**1** EXTERIOR DOUBLE GLASS SLIDING DOOR, FIXED RAIL AND NON LOCKING CEILING PULL

HORIZONTAL SECTION THROUGH DOUBLE GLASS SLIDING DOOR

1'-0"=1'-0"



**1** EXTERIOR DOUBLE GLASS SLIDING DOOR, FIXED RAIL  
AND NON LOCKING CEILING PULL

VERTICAL SECTION THROUGH DOUBLE GLASS SLIDING DOOR

1'-0"=1'-0"

OPTOS DETAILING PACKAGE

JUNE 30, 2024

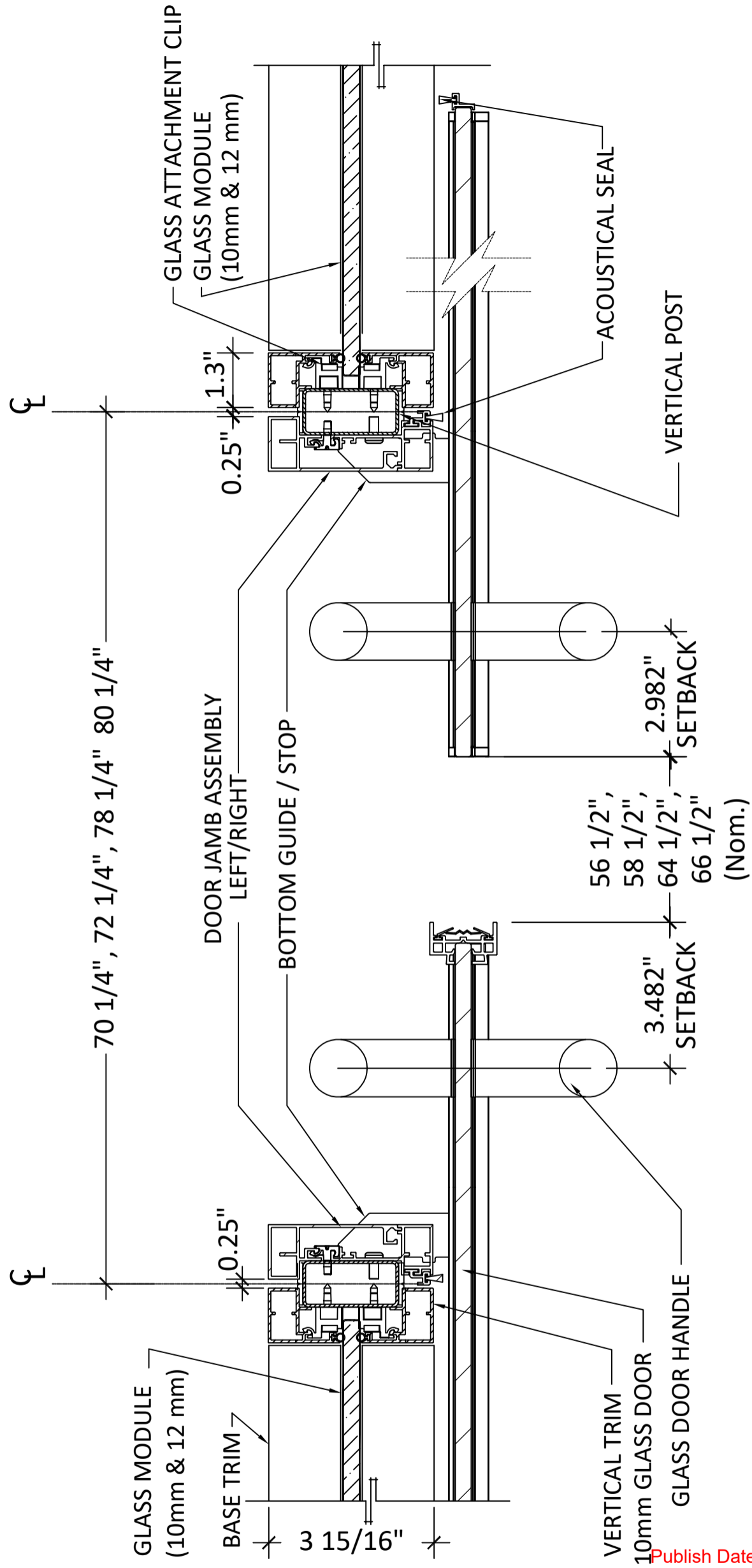
REV03

S08-1V

This drawing is the property of Teknion Limited and is subject to return upon demand. It must not be copied or reproduced in any manner, nor submitted to any outside parties for examination without Teknion consent. This drawing must not be scaled, or used for construction purposes.

Publish Date: Feb 23 2026

**teknion**

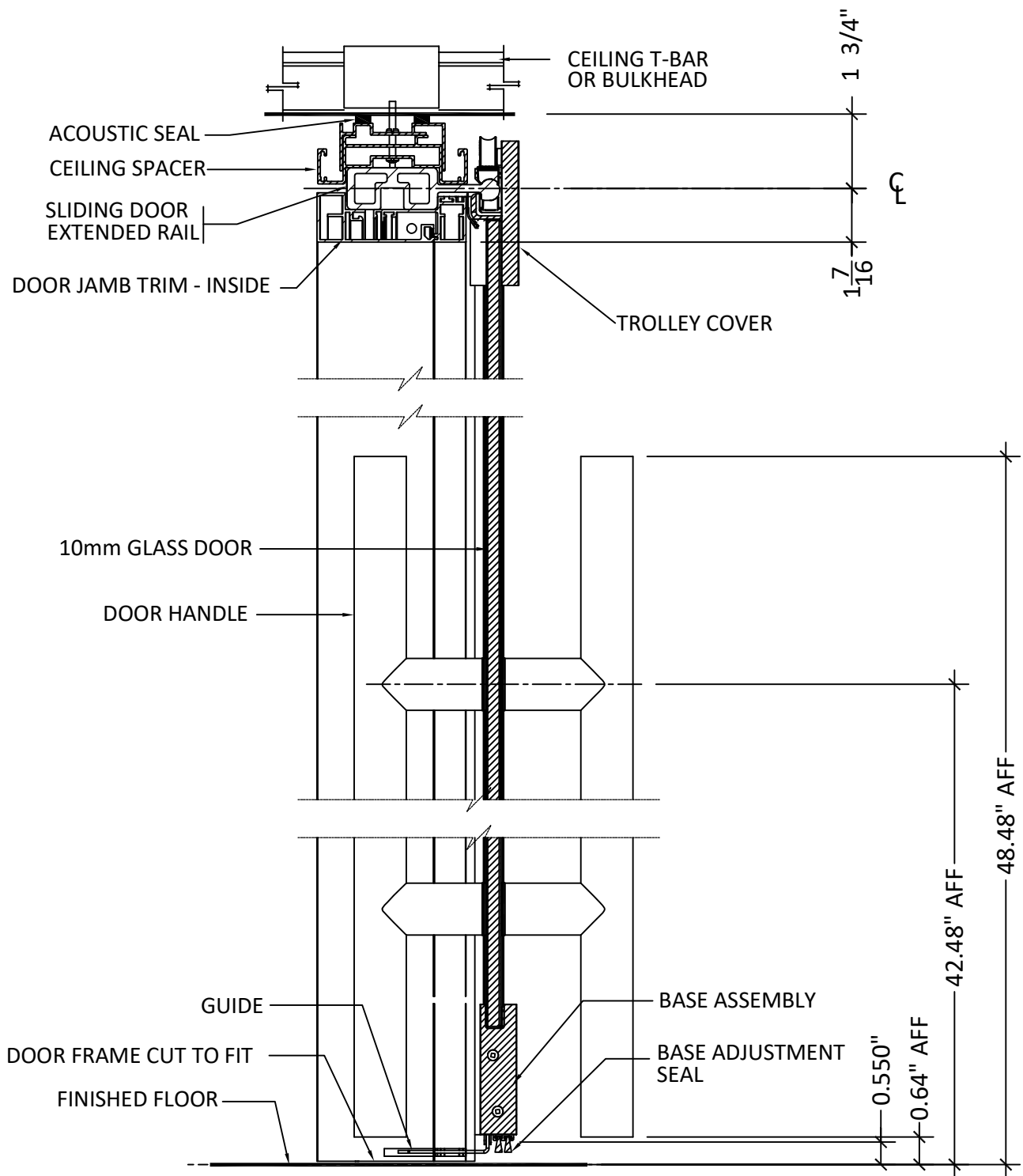


(WHEN DOORS FULLY OPENED)

**1 INTERIOR DOUBLE GLASS SLIDING DOOR, EXTENDED RAIL AND NON-LOCKING FLOOR PULL**

HORIZONTAL SECTION THROUGH DOUBLE GLASS SLIDING DOOR

1'-0"=1'-0"



**1** INTERIOR DOUBLE GLASS SLIDING DOOR, EXTENDED RAIL AND NON-LOCKING FLOOR PULL

VERTICAL SECTION THROUGH DOUBLE GLASS SLIDING DOOR

1'-0"=1'-0"

OPTOS DETAILING PACKAGE

JUNE 30, 2024

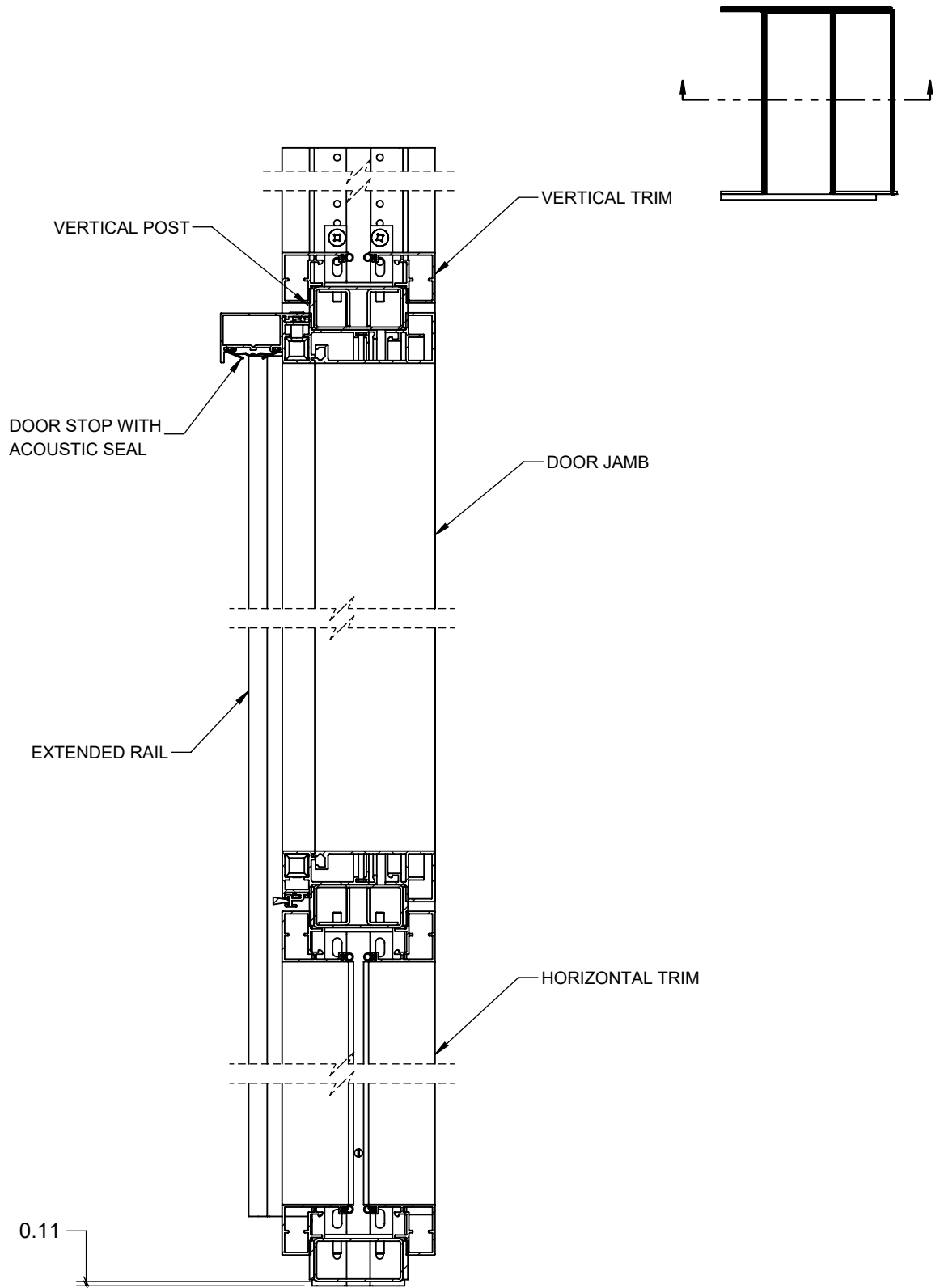
REV03

S08-4V

This drawing is the property of Teknion Limited and is subject to return upon demand. It must not be copied or reproduced in any manner, nor submitted to any outside parties for examination without Teknion consent. This drawing must not be scaled, or used for construction purposes.

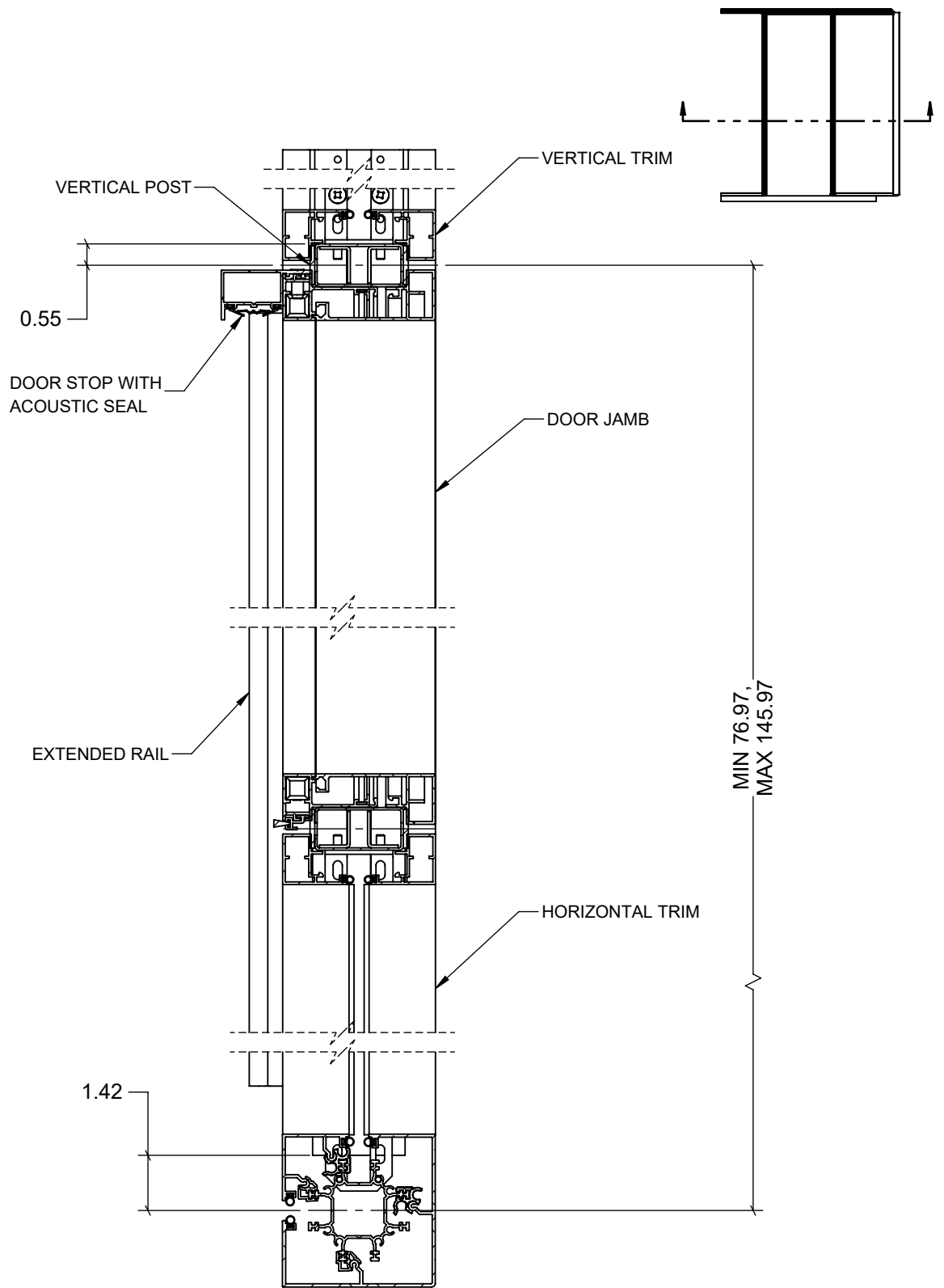
Publish Date: Feb 23 2025

**teknion**



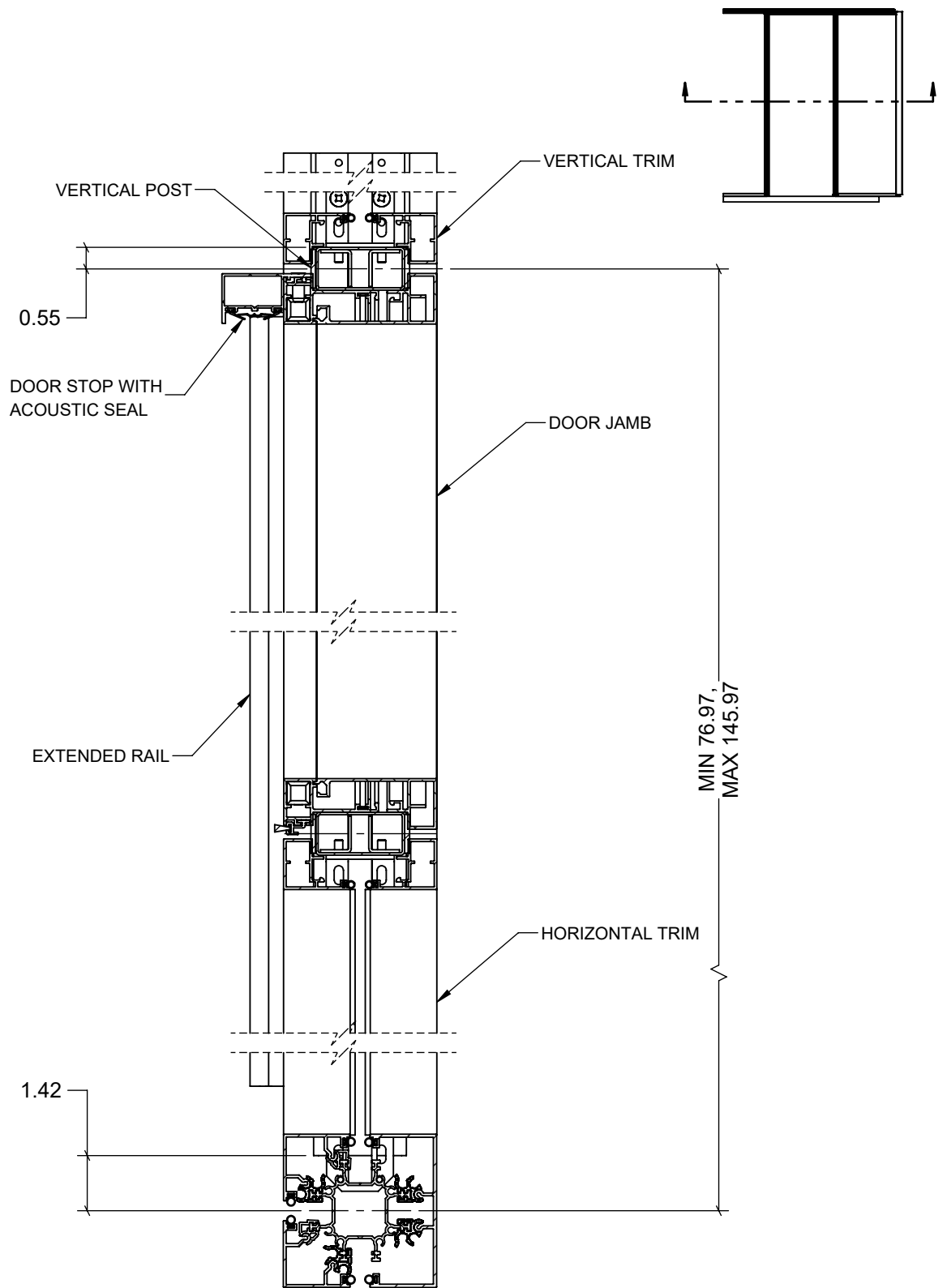
1  
S09

SLIDING DOOR LEAF SINGLE - EXTENDED RAIL  
WITH TRANSITION IN-LINE



2  
S09

SLIDING DOOR LEAF SINGLE - EXTENDED RAIL  
WITH 2-WAY



3  
S09

SLIDING DOOR LEAF SINGLE - EXTENDED RAIL  
WITH 3-WAY