

teknion

routes



ro

ut

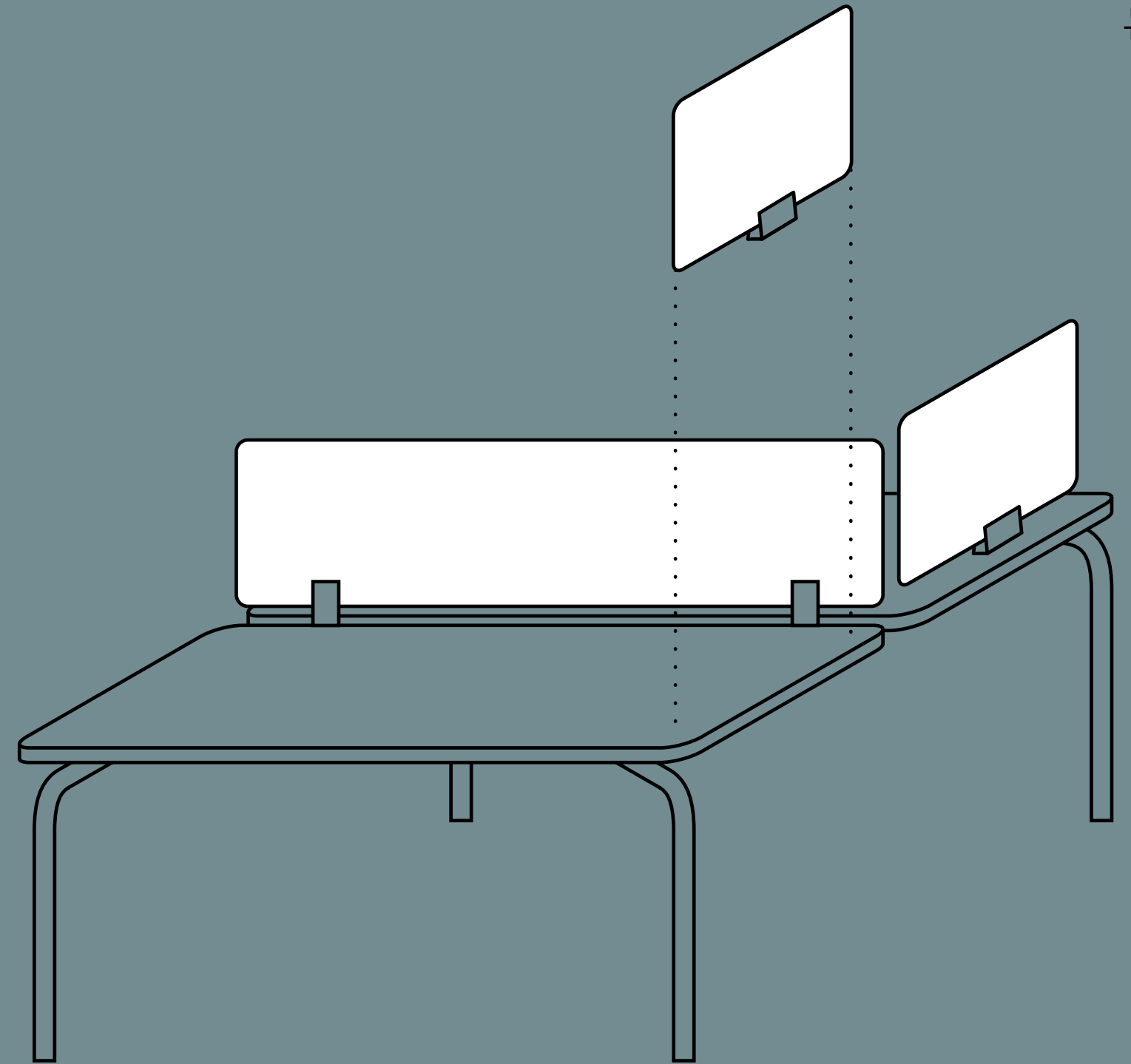
es

Teknion's Routes™ collection, designed in partnership with PearsonLloyd, is a stylish and simple “toolbox” of intuitive furnishings that are as playful as they are practical. Comprising desks, tables, chairs, screens and accessories—all with their own individual character—Routes is designed to allow teams to create flexible, utility-driven and engaging workspaces quickly and efficiently, breaking with convention and introducing a sense of play into the world of work.





Community spaces have gained importance in the modern work environment. The Routes Double Desk provides a touchdown work point that can transform into a workstation for the day. Add in a divider screen between users to create individual workspaces or a mobile knit screen for ultimate user choice.



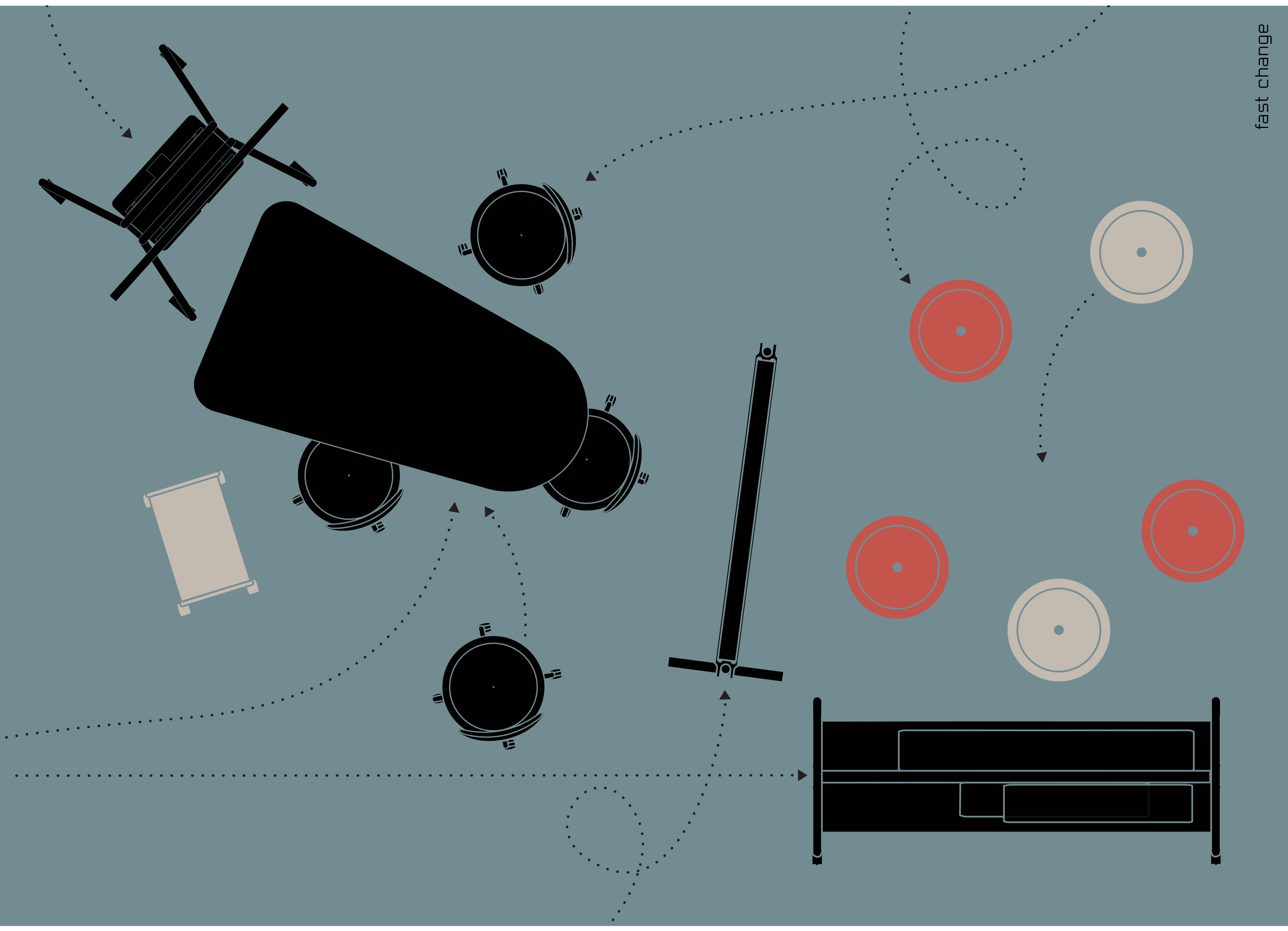
per

fo

nm

an

ce



fast change

Routes' focus on function is tempered with playfulness and irreverence. A distinct sense of lightheartedness is featured in each piece, with a strong and charismatic personality rooted in the defining curves of bent tubular steel and accent colors of Blue Sage and Signal Red.

This levity is integral to the furniture's purpose—a touch of playfulness and fun can be an important part of effective working practice, and a powerful trigger for creativity. The whimsical nature of Routes makes it appealing to engage with, giving the collection a domestic quality that elevates it above typical office furniture.

"Both work and play fire the imagination and are truly creative forms of activity. 'Workplay' acknowledges the meeting point between both." Tom Lloyd

Routes can be used to build up a complete workspace for a small, tight-knit studio or create casual "pop-up" work hubs across the expanse of a corporate headquarters. Routes offers the ability to swiftly make, unmake and adapt workspaces in response to the changing requirements of individuals, teams and tasks.

The collection creates an opportunity for users to define their ideal "route" to completion of any given task. This ability to facilitate kinetic work is reflected in the collection name: "Routes" denotes intentional mobility—a workplace where people are free to use the furniture as tools to pursue multiple pathways to achieving shared and individual goals.

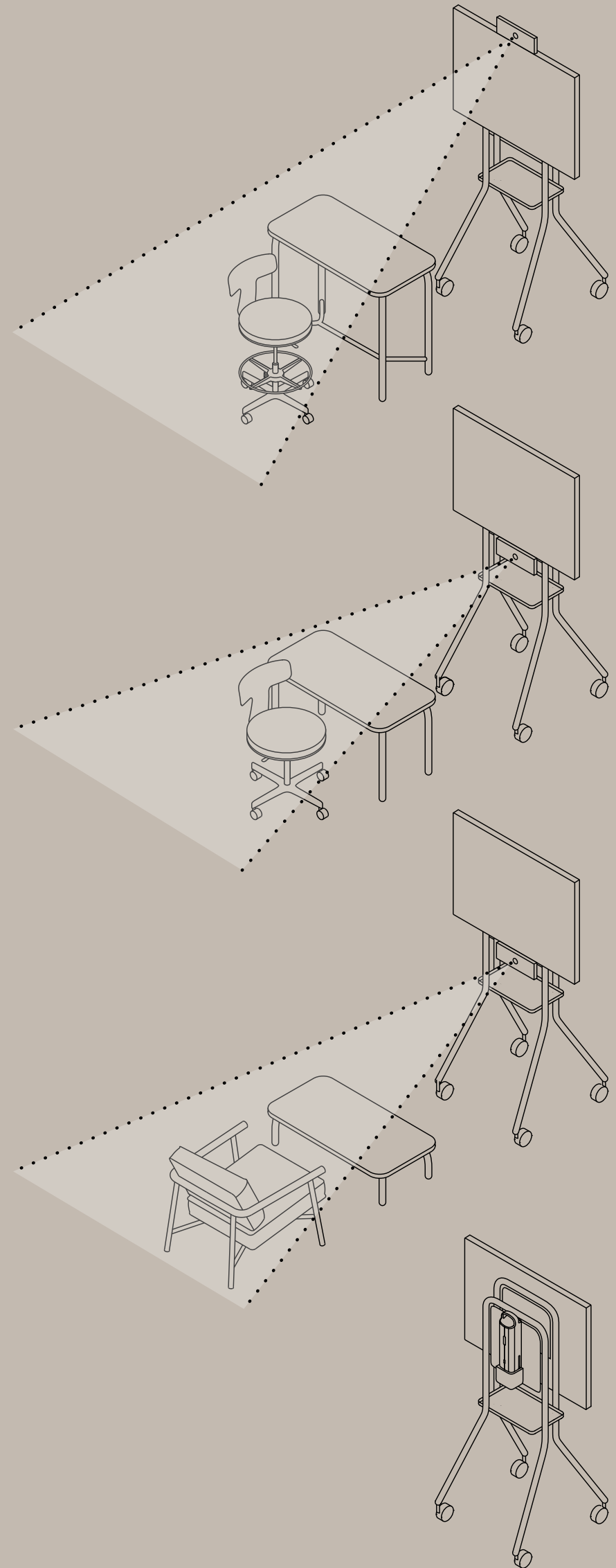
"Visually, Routes is bold enough so that as you pepper a landscape with various pieces, you recognize that it's a bit different." Luke Pearson





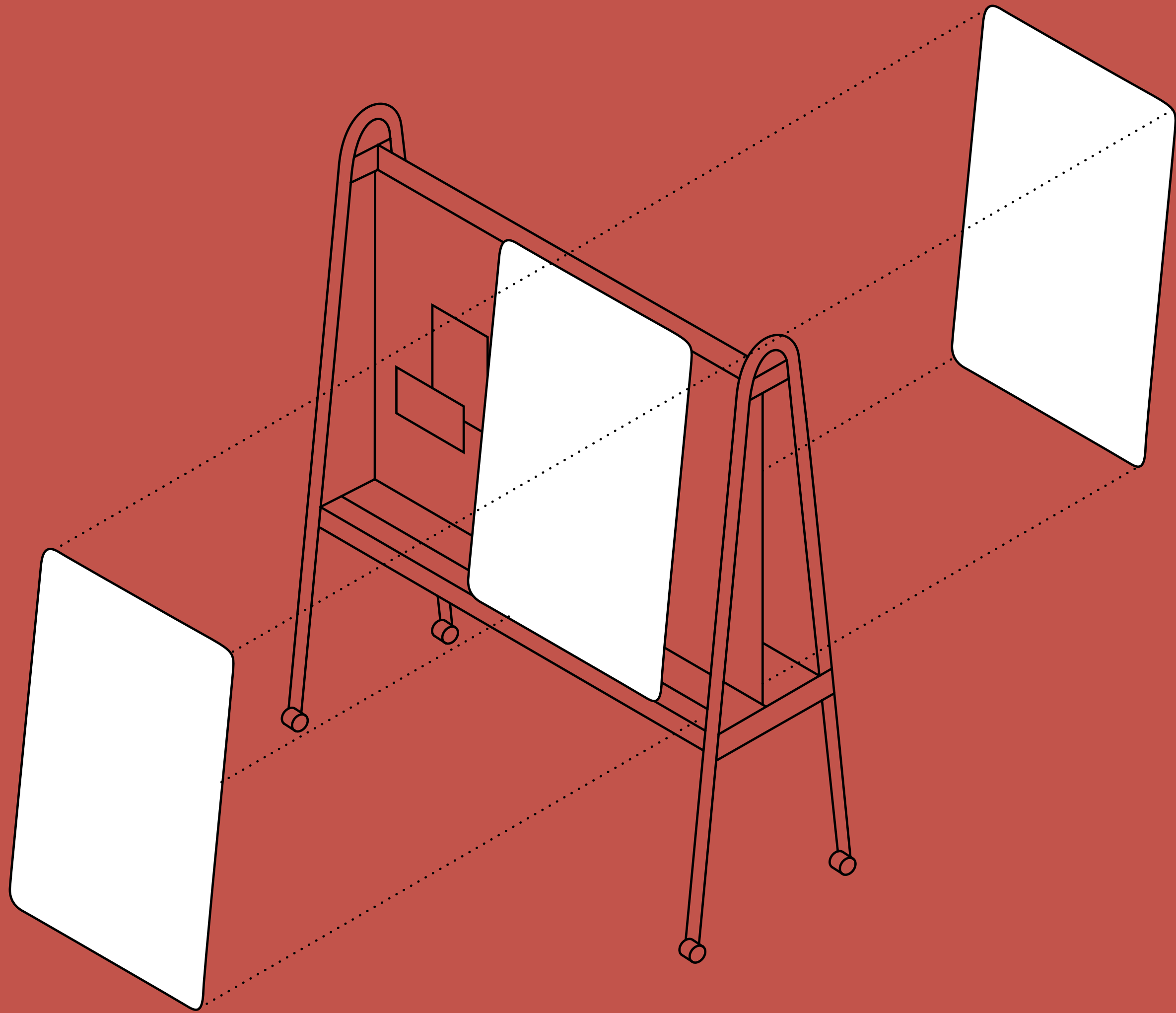
Create a destination for digital collaboration. Use the Media Rover to interact with present and remote workers. The webcam mounts above or below the TV to accommodate different postures.

Go further, go anywhere. Move the Media Rover wherever it's needed with the Untethered Battery, mounted on the back of the unit. The Untethered Media Rover keeps you connected without being plugged in.



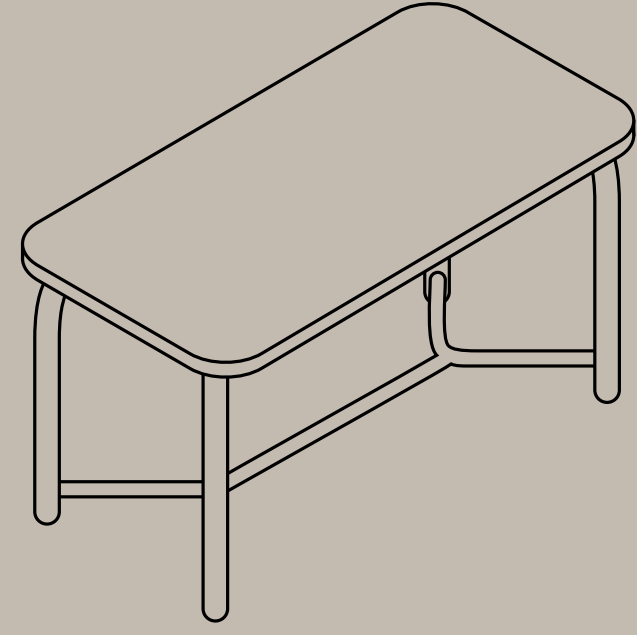


An easel that is writeable, tackable and stackable. Use this mobile board as a writing surface, collaborative space or a space divider. The Routes Work Board allows you to choose your own experience, adapting to multiple ways of working that promotes user choice.

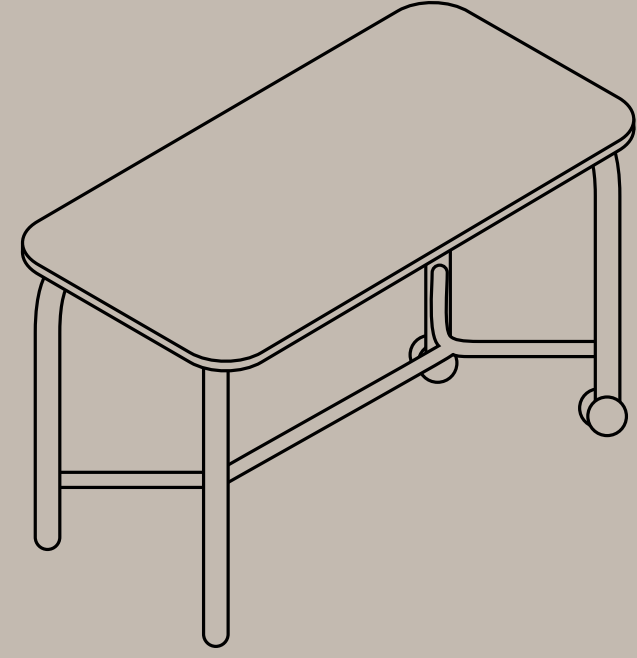




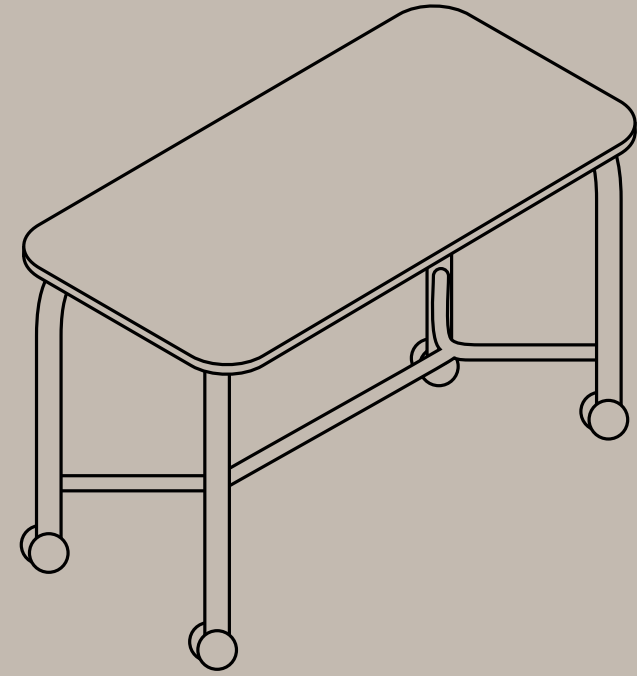
Create active or fixed work zones. Routes tables accommodate spaces planned for permanent use or multi-purpose rooms with fluidly changing activity. Quickly reconfigure and relocate with the Mobile Table or lift-and-drop Agile Table, or keep it parked with the Fixed Table.



fixed table

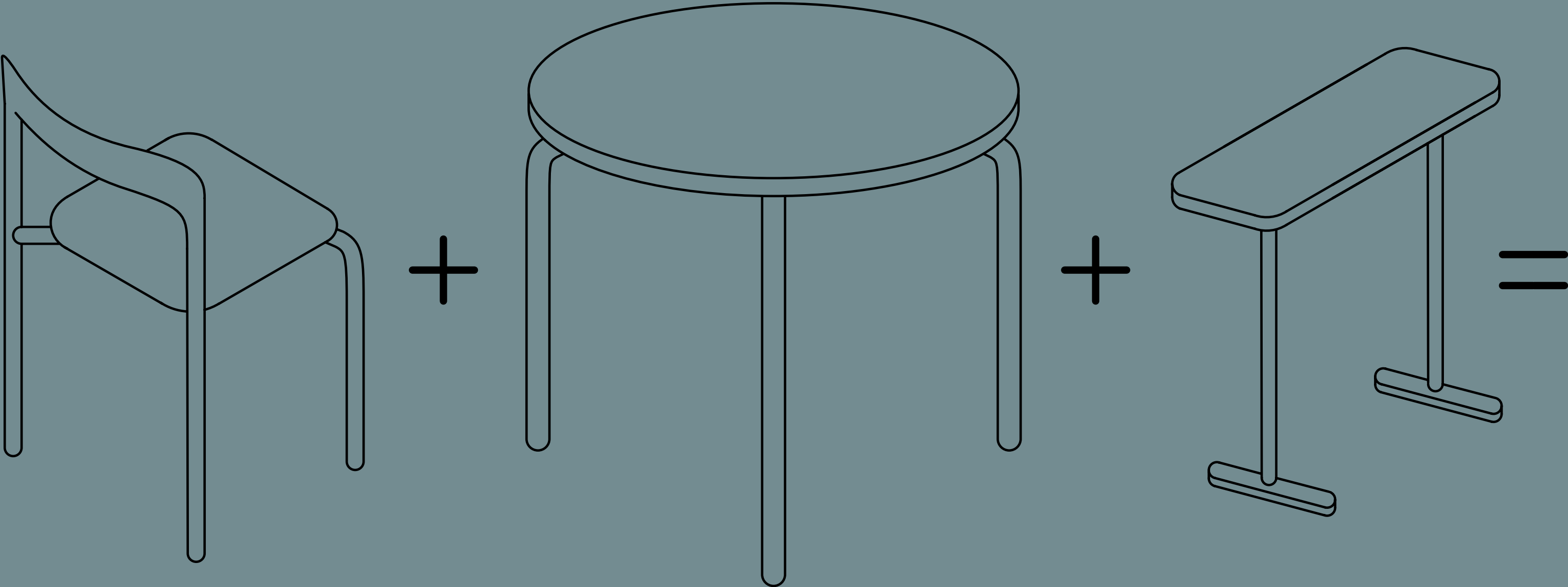


agile table



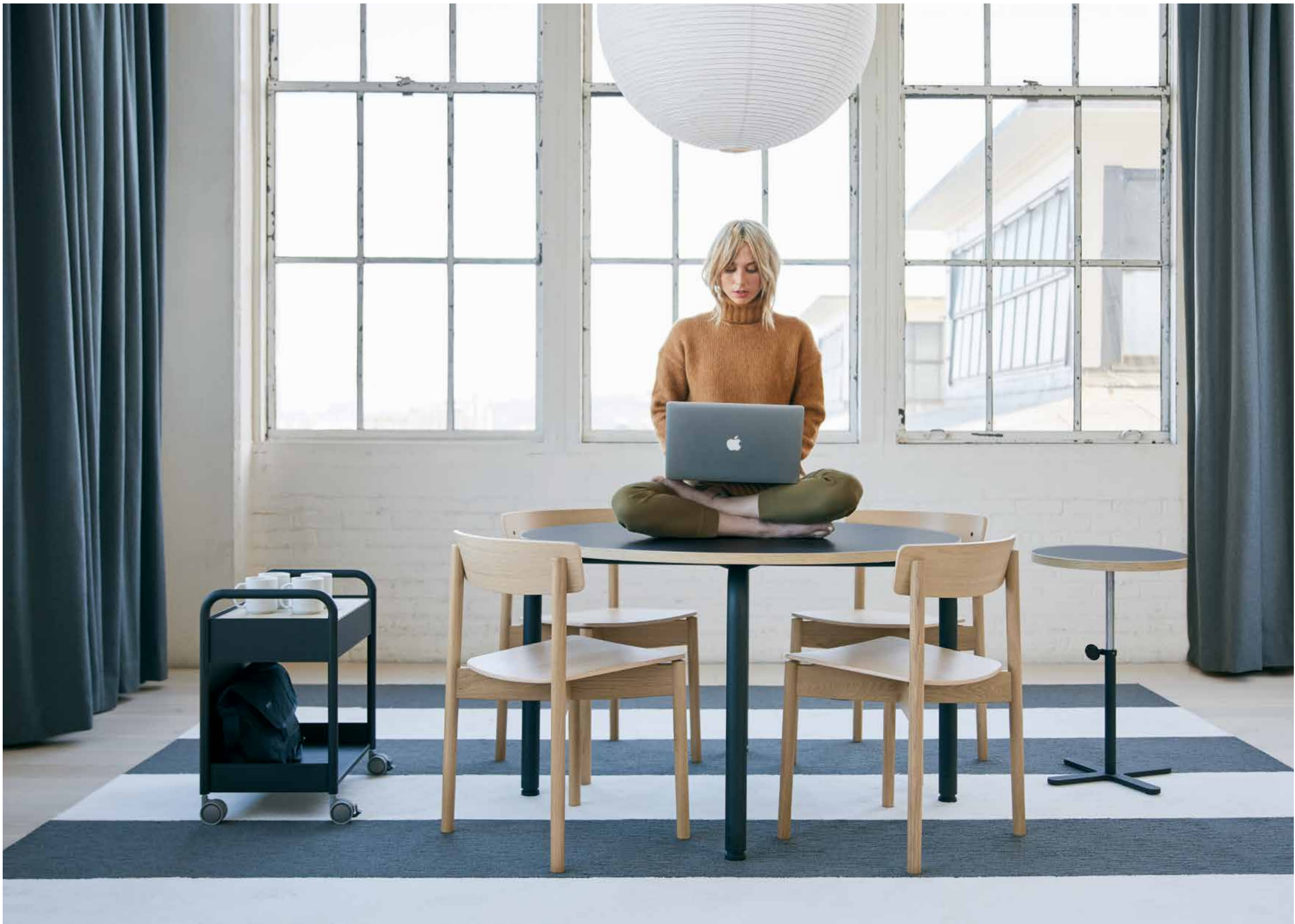
mobile table

Routes is a simple concept. Pick a way to sit, a place to engage and a space to work. Personal preference is the essence of the new workplace. Routes can be consistently changed to create spaces that are specific to that day's tasks.











int

uit

ive

Every item in the Routes collection is designed to be as simple and practical as possible to ensure the user intuitively understands how to use it. Routes was conceived and guided by the notion “how simple can something be while still fulfilling its intended function?” By fastidiously applying this economy of means to all collection pieces, Routes delivers a graphic and bold design language driven by a refined utility, without compromising on comfort.

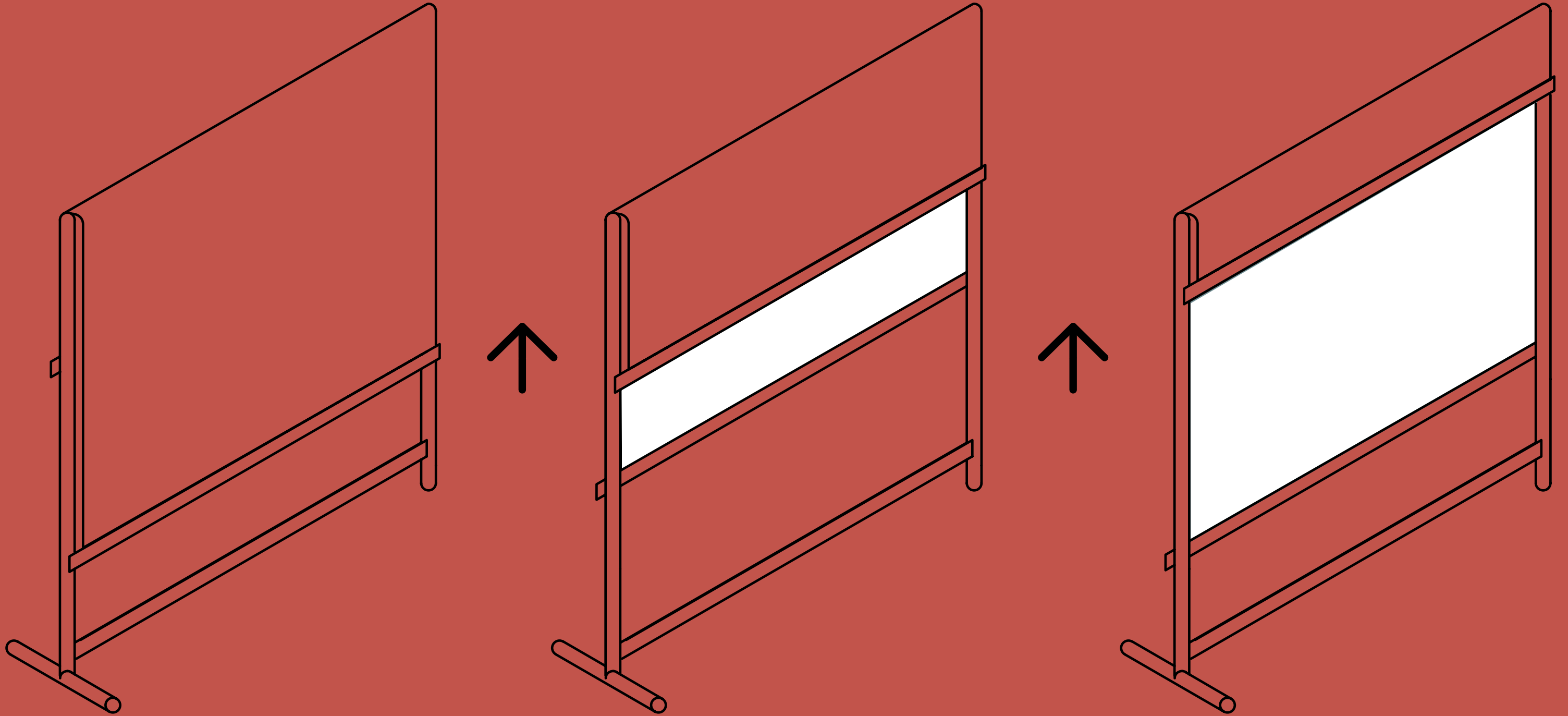
“Simplicity is inherent in the product. You know intuitively how to use it.” Luke Pearson

“You don’t need an instruction manual. Just grab what you need and enjoy using it.” Tom Lloyd



Add this unique fabric screen to any work environment and have complete user choice. From color, height and mobility, the Routes Mobile Soft Screen adds a whole level of user-controlled privacy. Simply adjust the magnetic dowel and change the personality of the space.

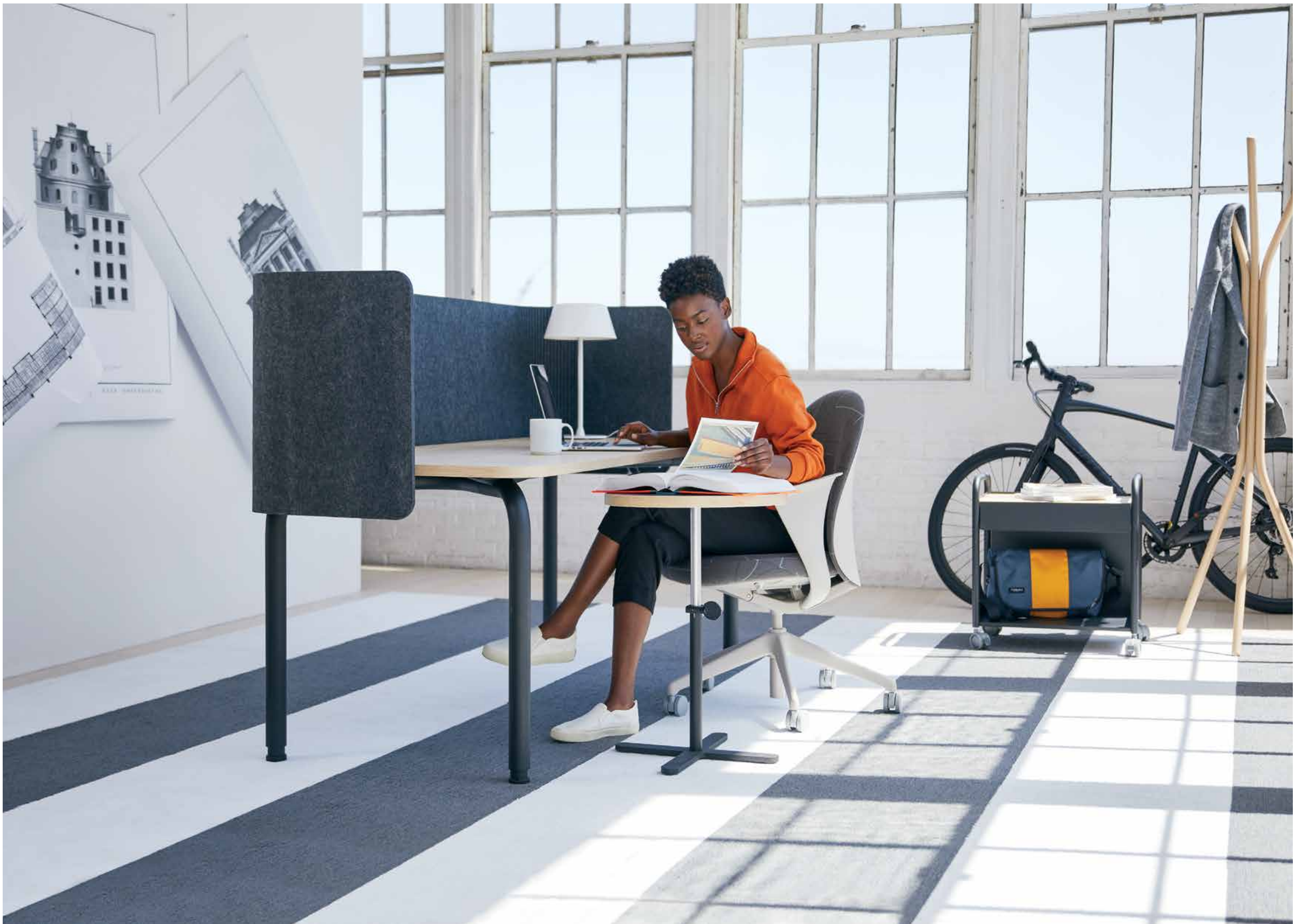
mobile soft screen





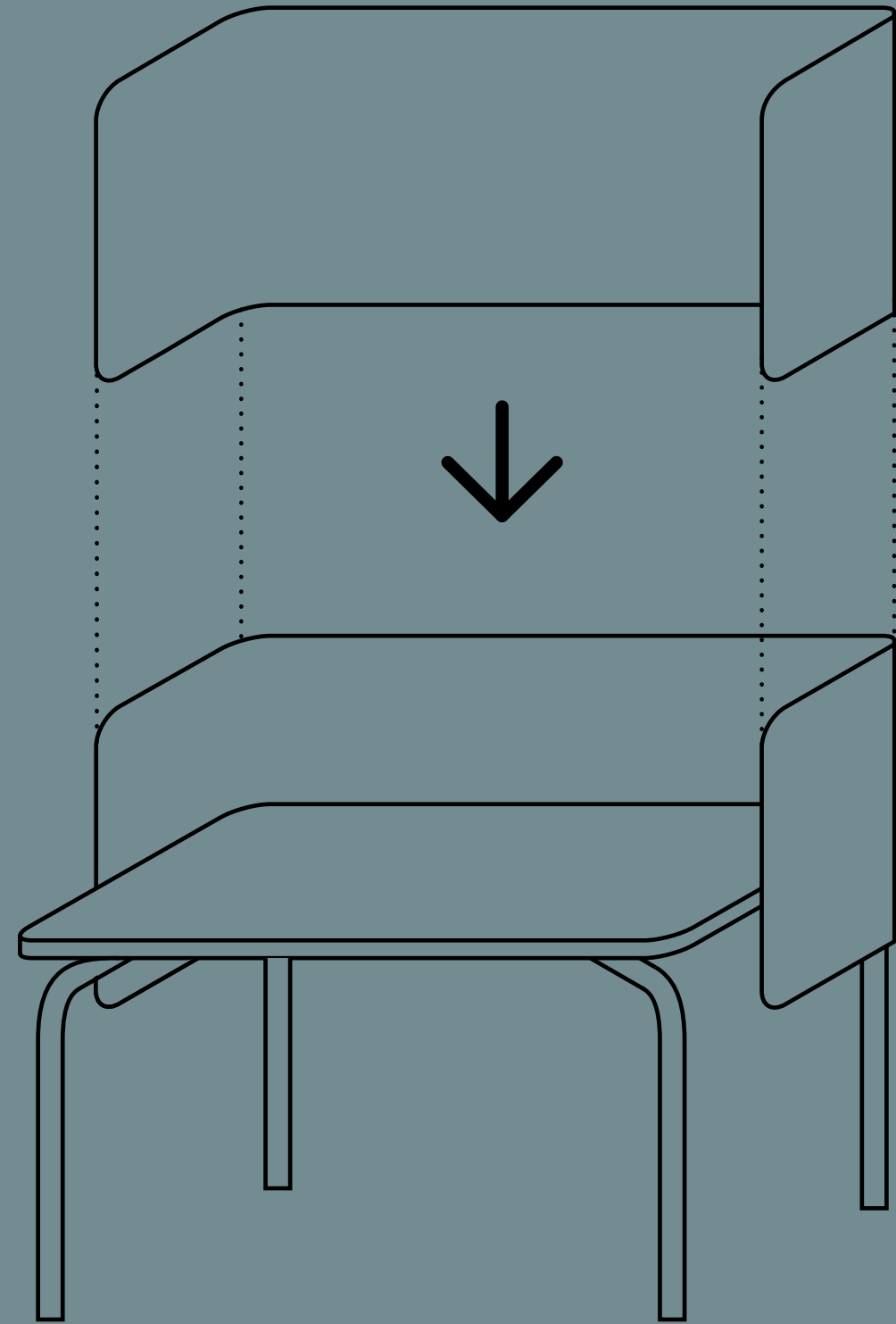


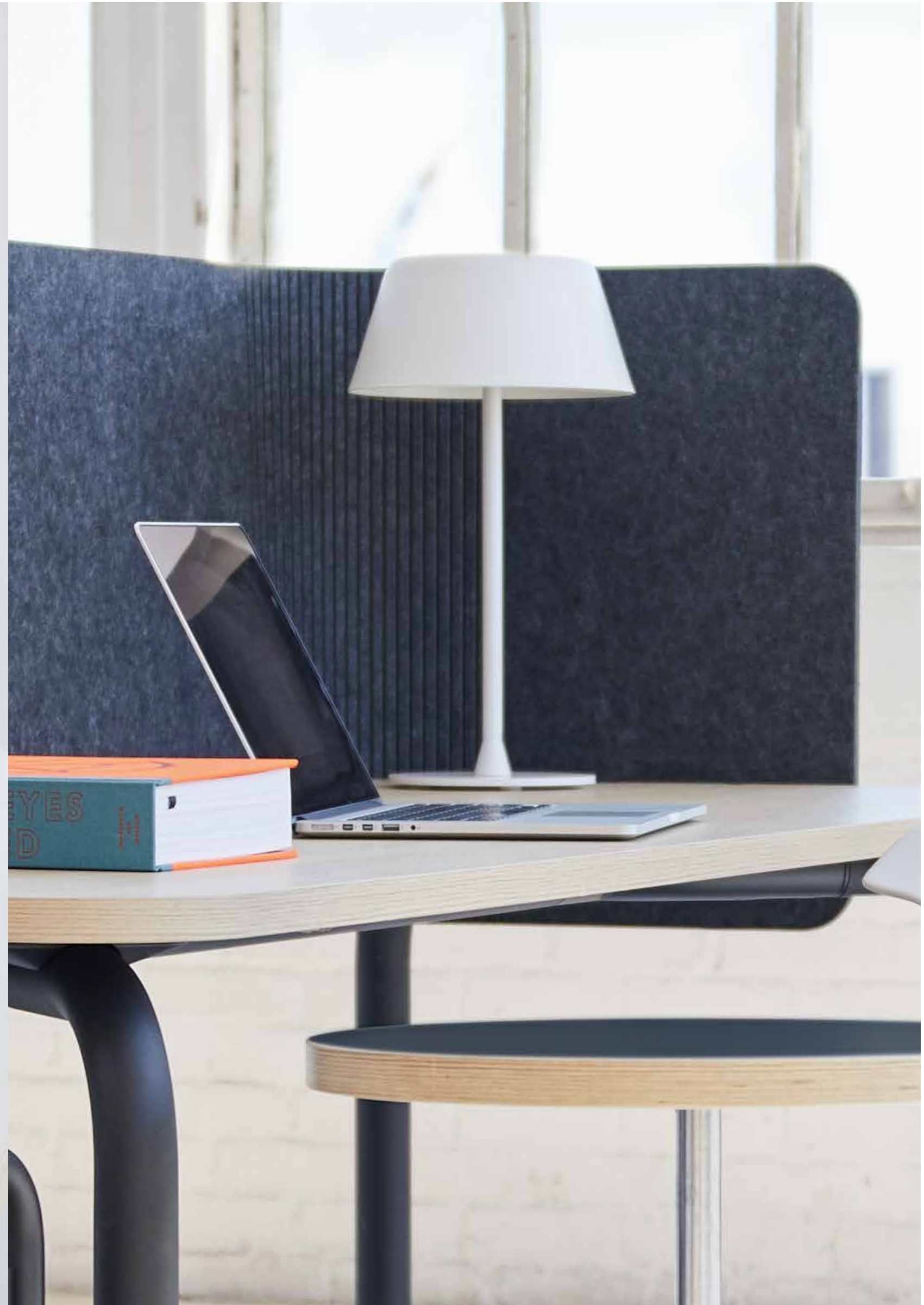




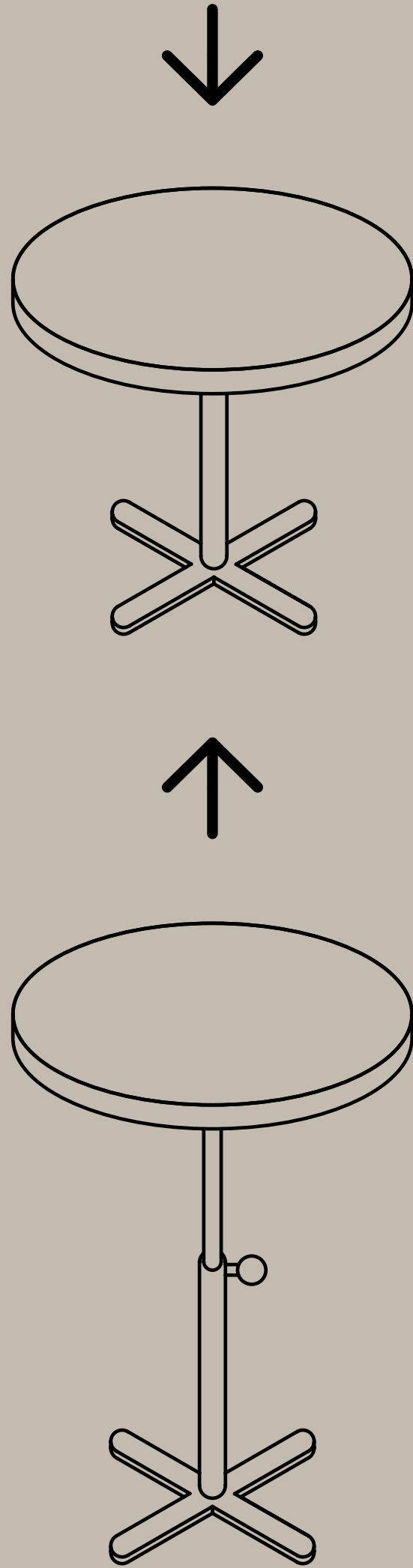


Pick a place to work—pick a level of privacy. Pick the amount of privacy for the task at hand with screens for the front and sides. The soft material of felt brings in a feeling of home to round out a more residential feel in the office.



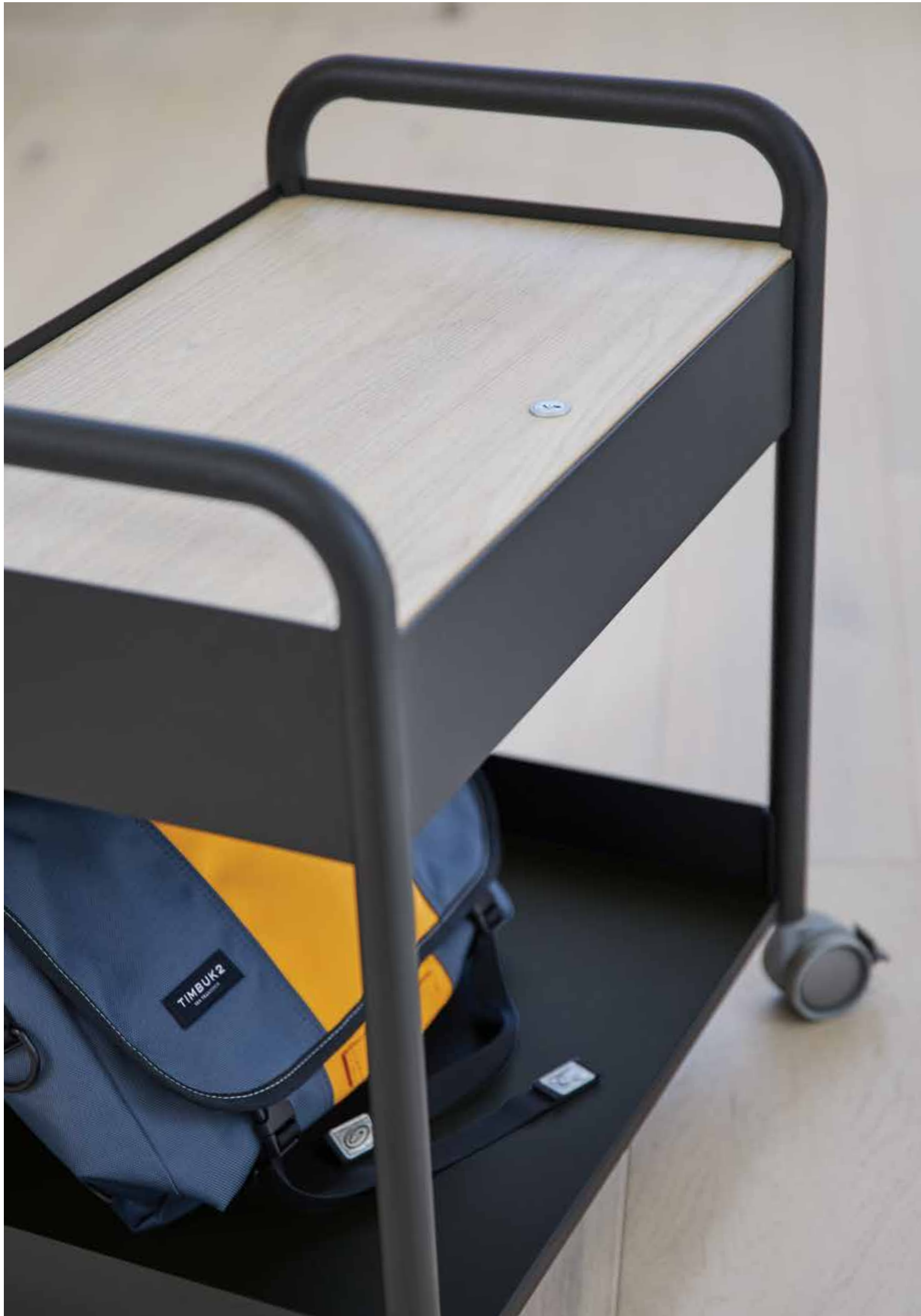


The Adjustable Side Table adds surface space for a laptop, notebook or coffee cup. The options are limitless—adjust the knob and find the perfect height to add dimension and functionality. This table coupled with any chair creates a new work point anywhere on a floor plan.

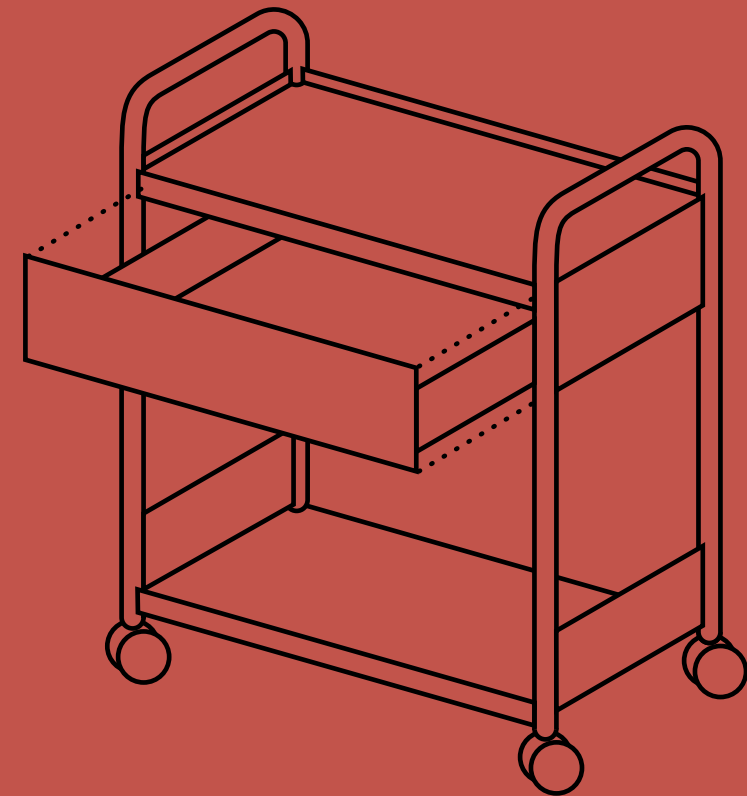
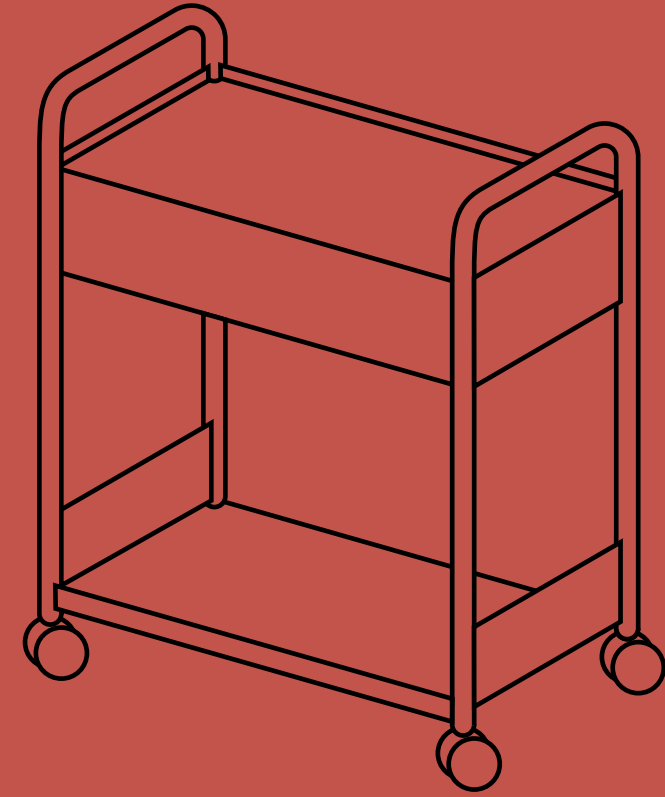


adjustable side table





The way people work has changed and storage is evolving right along with it. With the Routes Personal Tote, not only is there space for personal items, a lockable drawer allows a secure spot for those special items.



As well as facilitating collaboration, Routes empowers users to determine their optimum mode of work—standing, sitting, lounging, or whatever posture is most comfortable or appropriate to the task. Perch, cross-legged on the Arc chair with your laptop; wheel over the Mobile Soft Screen for an impromptu meeting; slide over the Multi-Use Stool for a chat with a colleague. With Routes, there's space for spontaneity.

com

m

fort





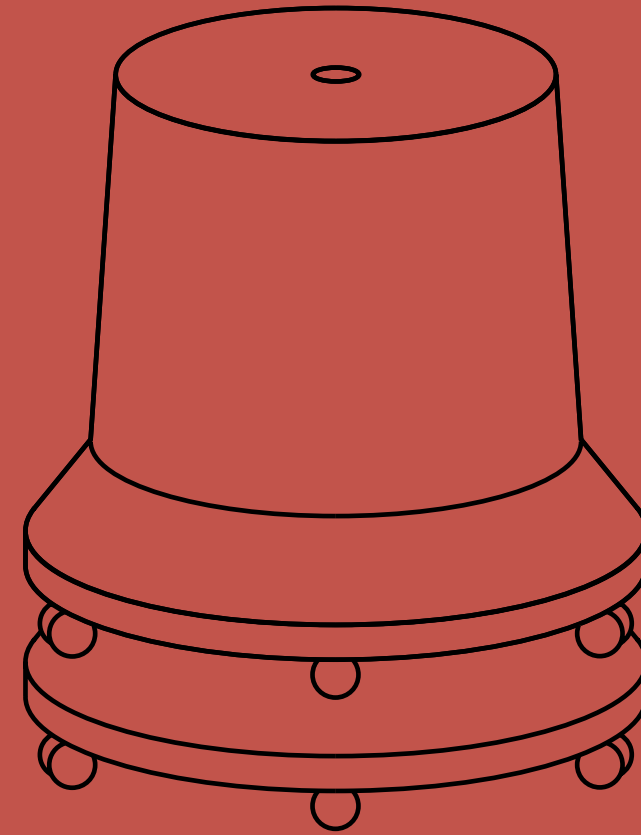
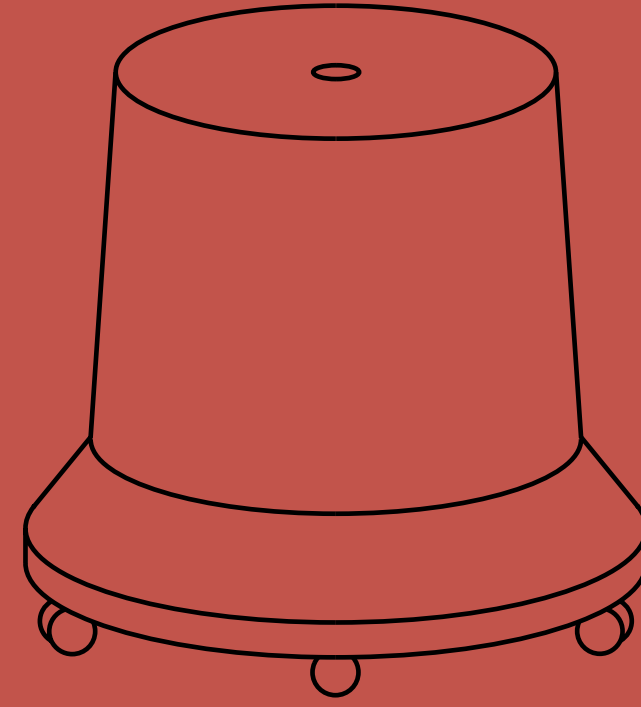
arc chair

The Arc chair delivers a lot of function, as well as comfort. It's more performance than lounge. A seat built for a bag, laptop and person—this chair provides a casual oasis in the corporate landscape.



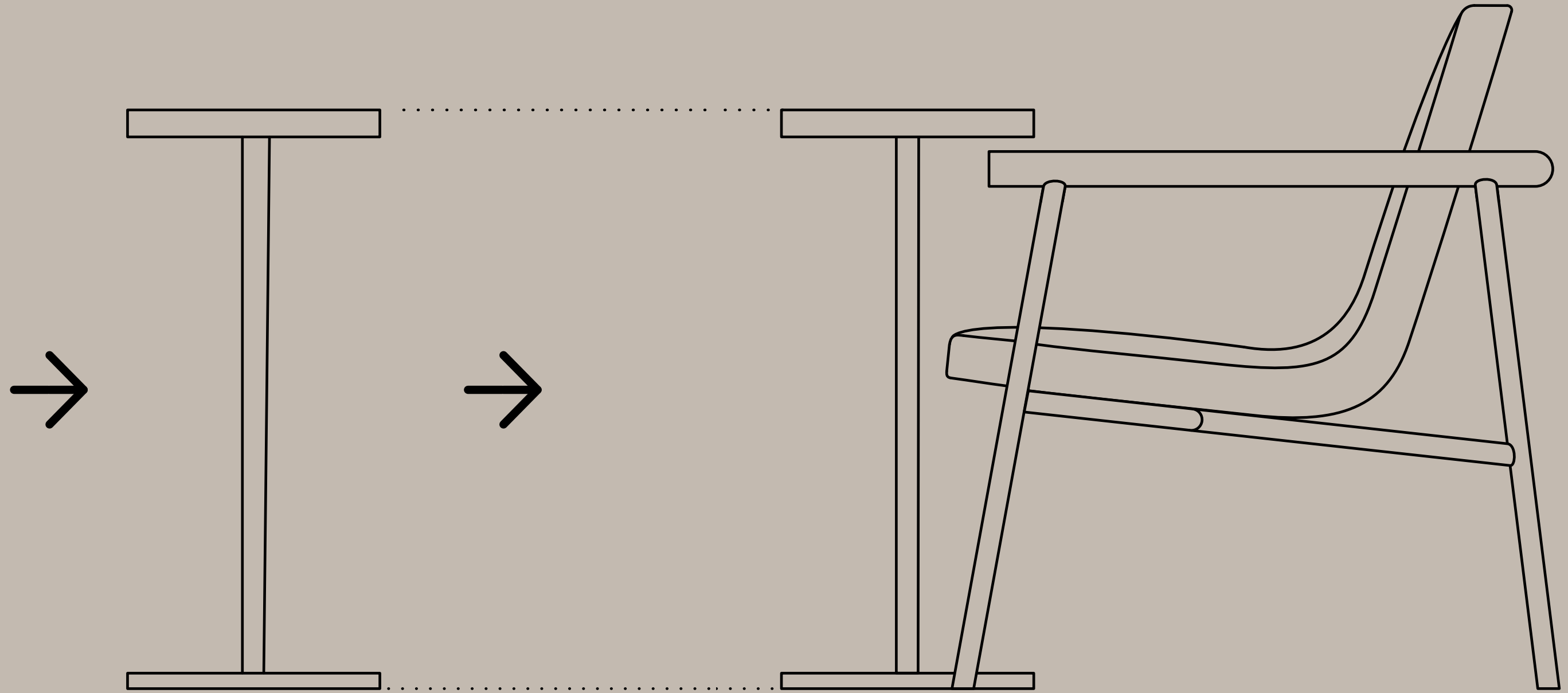


Stack. Spin. Sit. The Multi-Use Stool is the utility seat that completes any creative space. A stack of stools enhances a room to change posture and mindset.





Comfort meets performance. The Meet n Greet chair, paired with the Routes Laptop Table, creates a dynamic space which users can settle into for the entire day.

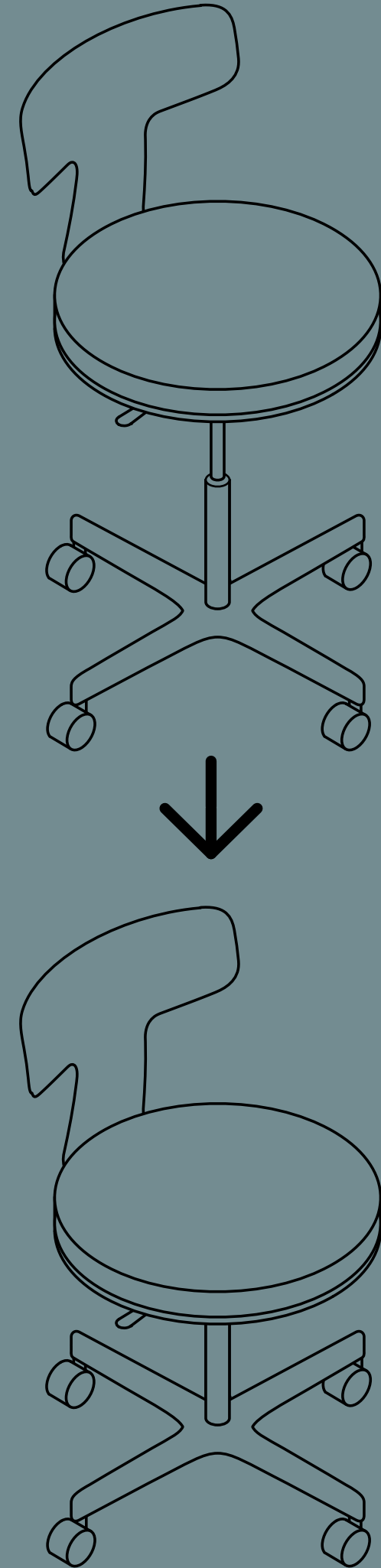


meet n greet chair / laptop table





Have a seat. Workshop Chairs and Stools with rounded seat and whimsical T-back encourage 360° seating postures. Comfortably settle into the perch, lean or straddle.

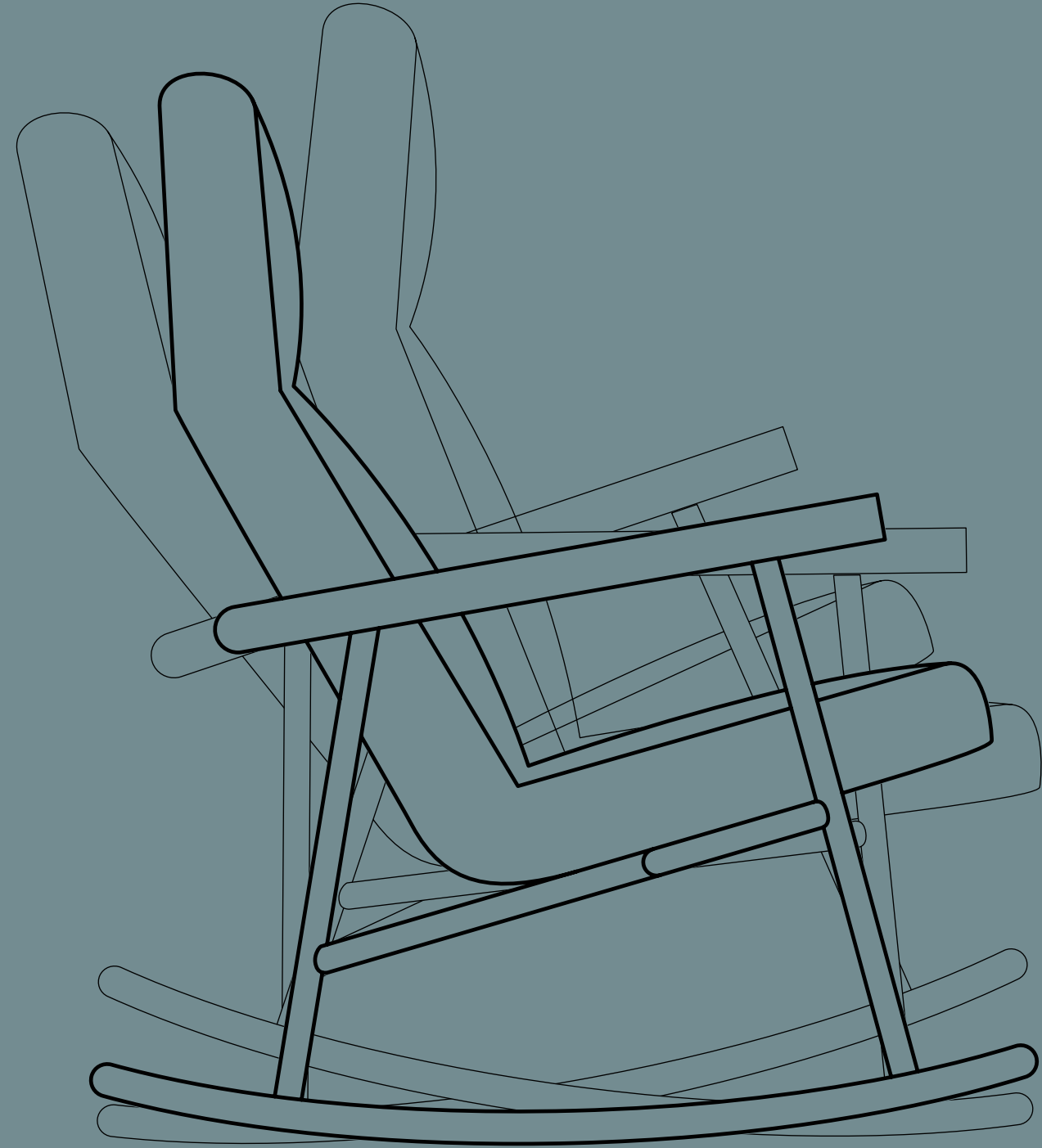






Changing postures while working is empowering. Nothing changes posture quite like a rocking chair. The Routes Rocking chair brings a nostalgic casualness to the office environment.

rocking chair





high table



"We wanted to avoid the cast aluminum, engineered aesthetic. In fact, the table has a utility character, almost cartoon-like, of something you might recognize from other spaces—which is very fresh. The big tubular

steel curve gives it quite a strong personality. It's a shape and a materiality that pops up across the collection and gives it a unity."
-Tom Lloyd

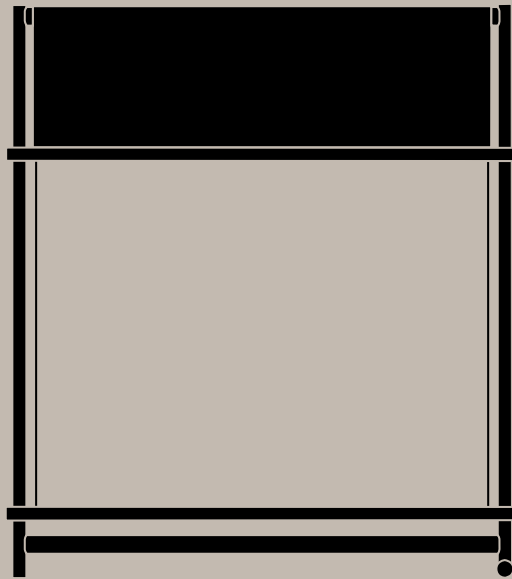
arc chair



"The Arc chair has quite a generous seat so that you can take your shoes off and get into the chair cross-legged if you like. At the same time, it shields the body in a very natural way. If you pull up a laptop table

or a side table, you've got a good working area. So, it delivers quite a lot of function, as well as comfort. It's more about performance than lounge."
-Tom Lloyd

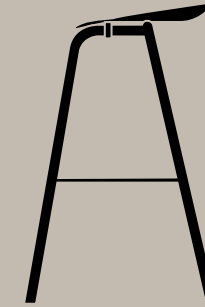
mobile soft screen



"Once again, the screen is almost like a found object, something you might use to get some privacy or problem-solve. It's very light, playful, friendly—almost like a towel rail or a drying rack. The Duo Chrome

double-sided textile simply drapes over, which allows you to play with color. It's very much about allowing people to make and manage a space."
-Tom Lloyd

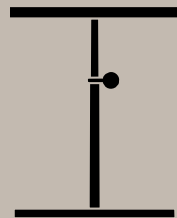
three-leg stool



"When you use a four-legged stool, one leg always seems to be in the way. With the Three-Leg Stool it was intentional to promote side-to-side interaction and to allow you to step

off to the side without tripping on a leg. The stool is stackable as well, and it uses less material."
-Luke Pearson

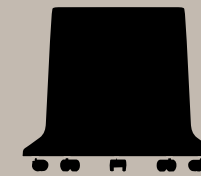
adjustable side table



"As a student, I was inspired by the metal furniture of Jean Prouve; how you could just turn a screw to adjust it yourself. The Adjustable Side Table is rooted in that concept. The handle is intentionally

reminiscent of a bicycle seat adjustment. It's about utility. How simple can we be to get the function we want?"
-Luke Pearson

multi-use stool



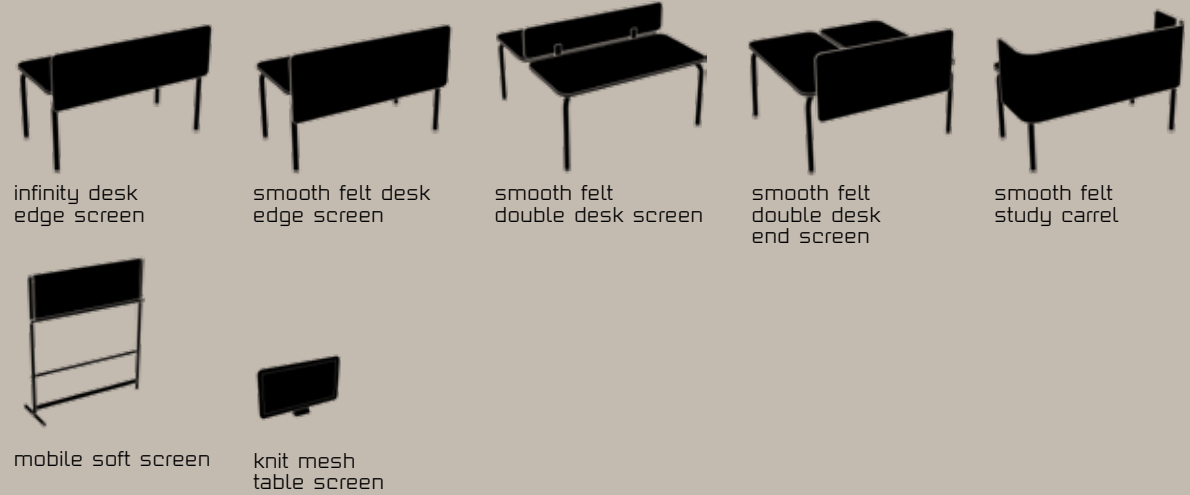
"My thinking came out of the ordinary experience of going to a hardware shop where you see a stack of 15 buckets in the corner. It's very efficient. So, let's take this idea and put wheels on it. We've all—maybe as students—grabbed

a box or turned a bucket upside down to sit on. The stool is just as efficient. And when you're not using it, stack it in a corner."
-Luke Pearson

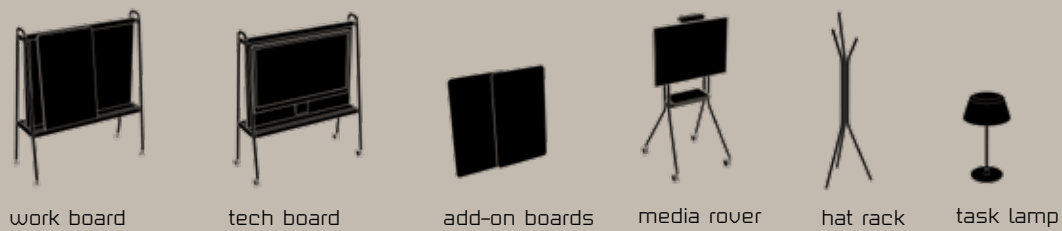
tables



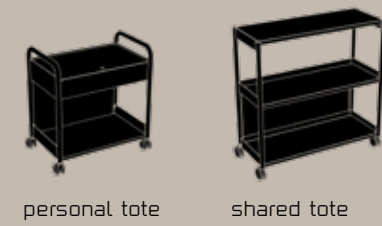
screens



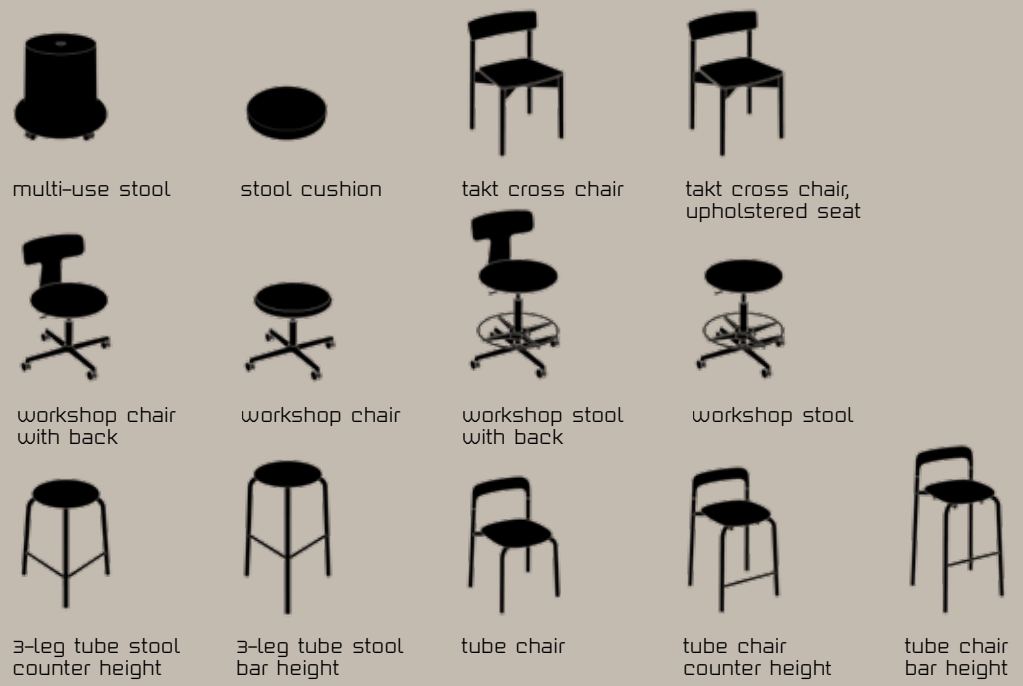
work tools



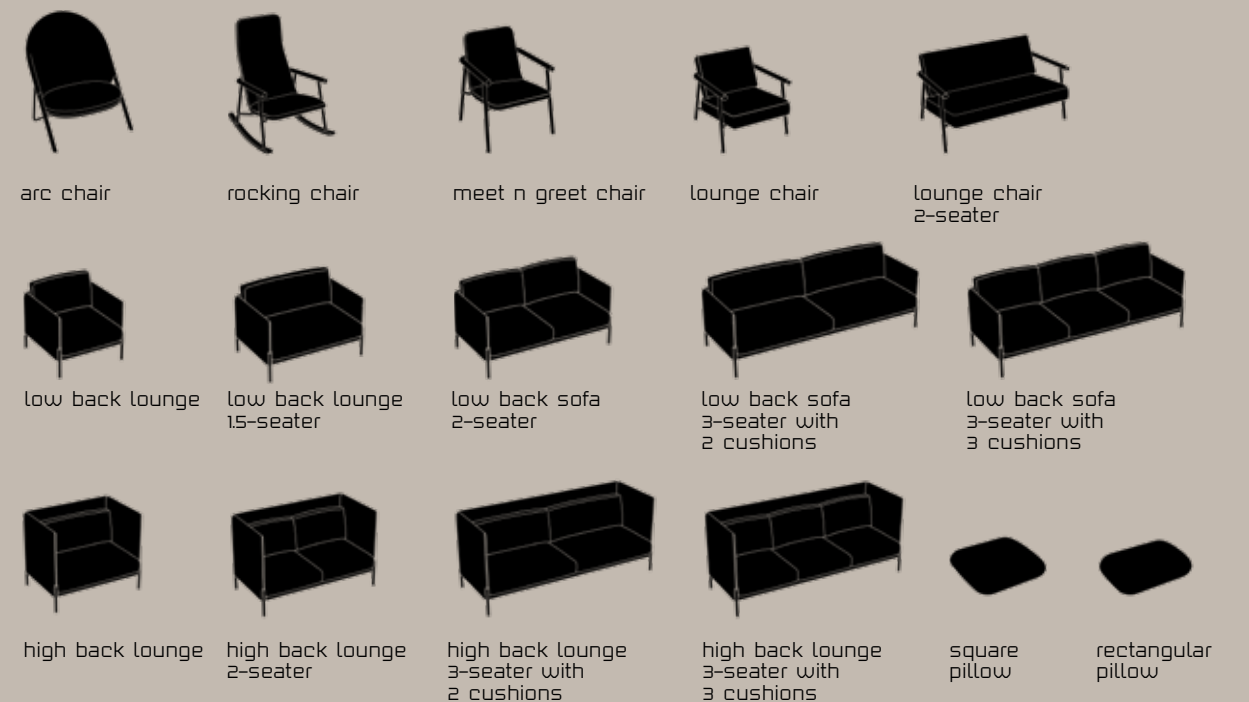
storage



multi-use seating



soft seating



relatives



Teknion is a proud participant in the following programs:

Environmental Certifications



Material Transparency & Product Lifecycle



Rating System Compliance



Social Initiatives



Teknion Routes is the recipient of:

- 2021 Interior Design HiP Award
- 2021 Best of Neocon
- 2021 #MetropolisLikes NeoCon
- 2021 Interior Design Best of Year
- 2022 Green Good Design Award
- 2022 AZ Awards, Finalist
- 2022 IDEA Awards, Gold

teknion

teknion.com

can/us/int 04-23

© Teknion 2021-2023

®, ™ trade marks of Teknion Corporation and/or its subsidiaries or licensed to it. Patents may be pending.

For regional product availability please contact your Teknion representative.

Brochure Design: Vanderbyl Design
Printed in Canada. BR-100-0111EN