

Focus Architectural Drawing Package, Contents

Name

Page

Elevations

Elevation 1	EL01
Elevation 2	EL01

Horizontal Frames

Acoustic & Drywall Base - Single Centered Frame Assembly - Ceiling and Base	A01
Acoustic & Drywall Base - Double Glass Frame Assembly - Ceiling and Base	A02
Acoustic & Drywall Base - Single Offset Frame Assembly - Ceiling and Base	A03

Swing Door Details

Glass Hinged Door Leaf Single

With Jamb and Cylindrical Lock ALX / ND	B01-1
With Jamb and Ceiling Pull Non-Locking	B01-2
With Jamb and Floor Pull Locking	B01-3
With Jamb and Floor Pull Non-Locking	B01-4
With Jamb and Linear Pull - Angular	B01-5

Solid Hinged Door Leaf Single

With Jamb and Cylindrical Lock ALX / ND	B02-1
With Jamb and Ceiling Pull Non-Locking	B02-2
With Jamb and Floor Pull Locking	B02-3
With Jamb and Floor Pull Non-Locking	B02-4
With Jamb and Linear Pull - Angular	B02-5
With Jamb and Mortise Lock L Series	B02-6

Solid Hinged Door Leaf Double

With Jamb and Cylindrical Lock ALX / ND	B03-1
With Jamb and Ceiling Pull Non-Locking	B03-2
With Jamb and Floor Pull Locking	B03-3
With Jamb and Floor Pull Non-Locking	B03-4
With Jamb and Linear Pull - Angular	B03-5

Solid Hinged Door Leaf with Glass Insert Single

With Jamb and Cylindrical Lock ALX/ND	B04-1
With Jamb and Ceiling Pull Non-Locking	B04-2
With Jamb and Floor Pull Locking	B04-3
With Jamb and Floor Pull Non-Locking	B04-4
With Jamb and Linear Pull - Angular	B04-5

Solid Hinged Door Leaf with Glass Insert Double

With Jamb and Cylindrical Lock ALX /ND	B05-1
With Jamb and Ceiling Pull Non-Locking	B05-2
With Jamb and Floor Pull Locking	B05-3
With Jamb and Floor Pull Non-Locking	B05-4
With Jamb and Linear Pull - Angular	B05-5

Single leaf 45mm, Single Glazed, Pivot door

With Jamb and Cylindrical Lock ALX / ND	B06-1
With Jamb and Ceiling Pull Non-Locking	B06-2

Focus Architectural Drawing Package, Contents

Name	Page
With Jamb and Floor Pull Locking	B06-3
With Jamb and Floor Pull Non-Locking	B06-4
With Jamb and Linear Pull - Angular	B06-5
With Jamb and Mortise Lock L Series	B06-6
Double leaf 45mm, Single Glazed, Pivot door	
With Jamb and Cylindrical Lock ALX / ND	B07-1
With Jamb and Ceiling Pull Non-Locking	B07-2
With Jamb and Floor Pull Locking	B07-3
With Jamb and Floor Pull Non-Locking	B07-4
With Jamb and Linear Pull - Angular	B07-5
Single leaf 45mm, Double Glazed, Pivot door	
With Jamb and Cylindrical Lock ALX / ND	B08-1
With Jamb and Ceiling Pull Non-Locking	B08-2
With Jamb and Floor Pull Locking	B08-3
With Jamb and Floor Pull Non-Locking	B08-4
With Jamb and Linear Pull - Angular	B08-5
With Jamb and Mortise Lock L Series	B08-6
Single leaf 100mm, Double Glazed, Pivot door	
With Jamb and Cylindrical Lock ALX / ND	B09-1
With Jamb and Floor Pull Locking	B09-2
With Jamb and Floor Pull Non-Locking	B09-3
With Jamb and Linear Pull - Angular	B09-4
With Jamb and Mortise Lock L Series	B09-5
Double leaf 100mm, Double Glazed, Pivot door	
With Jamb and Cylindrical Lock ALX / ND	B10-1
With Jamb and Floor Pull Locking	B10-2
With Jamb and Floor Pull Non-Locking	B10-3
With Jamb and Linear Pull - Angular	B10-4

Sliding door Details

Framed Single leaf, Single glazed sliding door

Ceiling Pull non locking	S01-1
Ceiling Pull locking	S01-2
Floor Pull locking	S01-3
Floor Pull non locking	S01-4
Linear Pull Perpendicular	S01-5

Framed Double leaf, Single glazed sliding door

Ceiling Pull non locking	S02-1
Ceiling Pull locking	S02-2
Floor Pull locking	S02-3
Floor Pull non locking	S02-4
Linear Pull Perpendicular	S02-5

Wall Starts

Wall Start

Focus Architectural Drawing Package, Contents

Name	Page
Single Centered Glass	C01-1
Double Glass	C01-2
Offset Glass	C01-3
Door	C01-4
Articulating Wall Start	
Single Centered Glass	C02-1
Double Glass	C02-2
Offset Glass	C02-3
Door	C02-4
Wall Transitions & Wall Ends	
Inline transition Connection	
Single Centered Glass to Single Centered Glass	D01-1
Double Glass to Double Glass	D01-2
Offset Glass to Offset Glass	D01-3
Double Glass to Single Centered Glass	D01-4
Offset Glass to Single Centered Glass	D01-5
Double Glass to Offset Glass	D01-6
Altos Transition	
Single Centered Glass	D02-1
Double Glass	D02-2
Offset Glass	D02-3
Door	D02-4
Wall end	
Single Centered Glass	D03-1
Double Glass	D03-2
Offset Glass	D03-3
Door	D03-4
Drywall Fly-By Transition Inline	
Single Centered Glass to Single Centered Glass	D04-1
Double Glass to Double Glass	D04-2
Offset Glass to Offset Glass	D04-3
Double Glass to Single Centered Glass	D04-4
Offset Glass to Single Centered Glass	D04-5
Double Glass to Offset Glass	D04-6
Altos to Altos	D04-7
Door to Door	D04-8
Glass Fascias & Connectors	
Glass Connector Kit	
Inline Clear Plastic – 10mm	E01-1
Inline Clear Plastic – 12mm	E01-2
Inline Tape – 10mm	E01-3
Inline Tape – 12mm	E01-4

Focus Architectural Drawing Package, Contents

Name	Page
90° Glass Connector Kit	
Single Centered Glass - Plastic – 10mm	E02-1
Single Centered Glass - Plastic – 12mm	E02-2
Single Centered Glass – tape – 10mm	E02-3
Single Centered Glass – tape – 12mm	E02-4
Double Glass – Plastic – 10mm	E02-5
Double Glass – Plastic – 12mm	E02-6
Double Glass - Tape 10 – 10mm	E02-7
Double Glass - Tape 10 – 12mm	E02-8
Offset Glass – Plastic – 10mm	E02-9
Offset Glass – Plastic – 12mm	E02-10
Offset Glass – Tape – 10mm	E02-11
Offset Glass – Tape – 12mm	E02-12
Three Way Connection Kit	
Single Centered Glass - Plastic – 10mm	E03-1
Single Centered Glass - Plastic – 12mm	E03-2
Double Glass – Plastic – 10mm	E03-3
Double Glass – Plastic – 12mm	E03-4
Offset Glass – Plastic – 10mm	E03-5
Offset Glass – Plastic – 12mm	E03-6
Four Way Connection Kit	
Plastic –10mm	E04-1
Plastic – 12mm	E04-2
Tape – 10mm	E04-3
Tape – 12mm	E04-4
Inline Variable Connection Kit	
Single centered Glass	E05-1
Double glass	E05-2
Offset Glass	E05-3
Hardware Details	
Door Handle Ceiling Pull	
Non-Locking	F01-1
Locking	F01-2
Door Handle Floor Pull	
Non-Locking	F02-1
Locking	F02-2
Door Handle Linear Pull	
Angular	F03-1
Perpendicular	F03-2
Other Hardware	
Swing Doorstop	F04-1
Magnetic Doorstop	F04-2
Adjustable Strike Plate- Cylindrical	F04-3
Adjustable Strike Plate- Mortice	F04-4

Focus Architectural Drawing Package, Contents

Name

Page

Hinge Glass

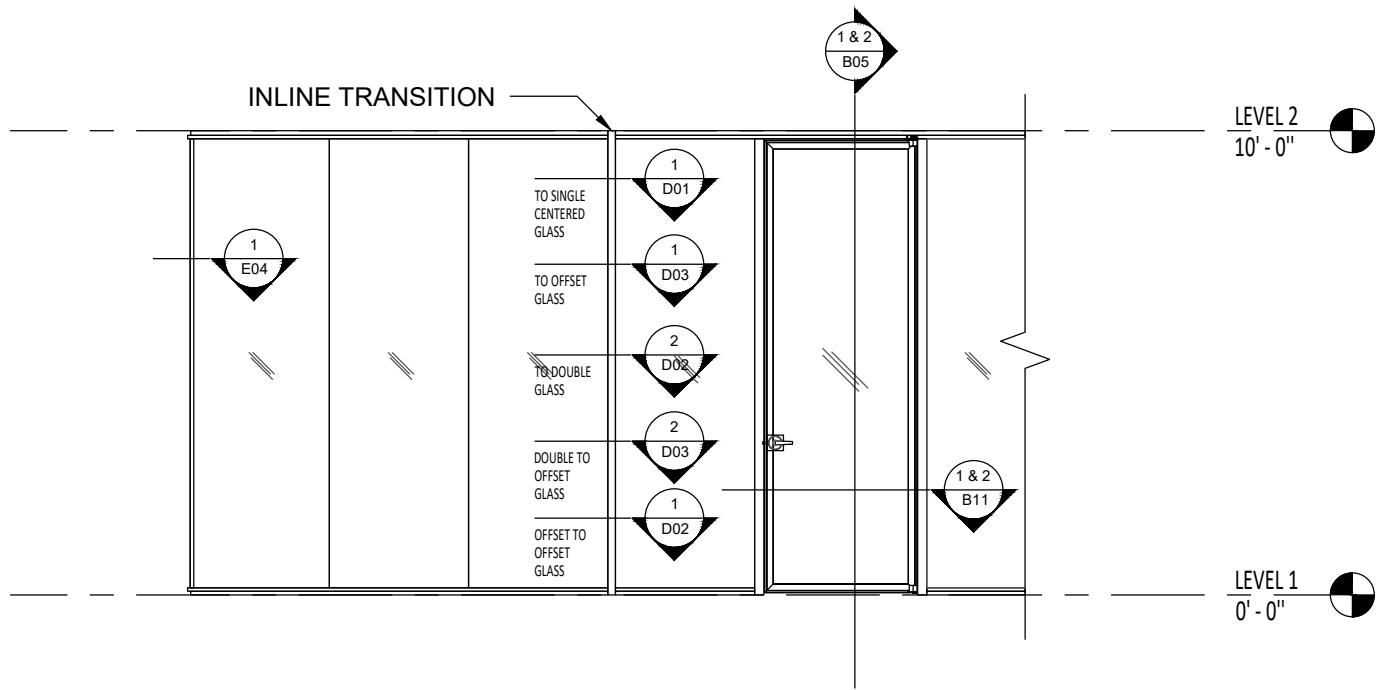
F04-5

Hinge Pivot

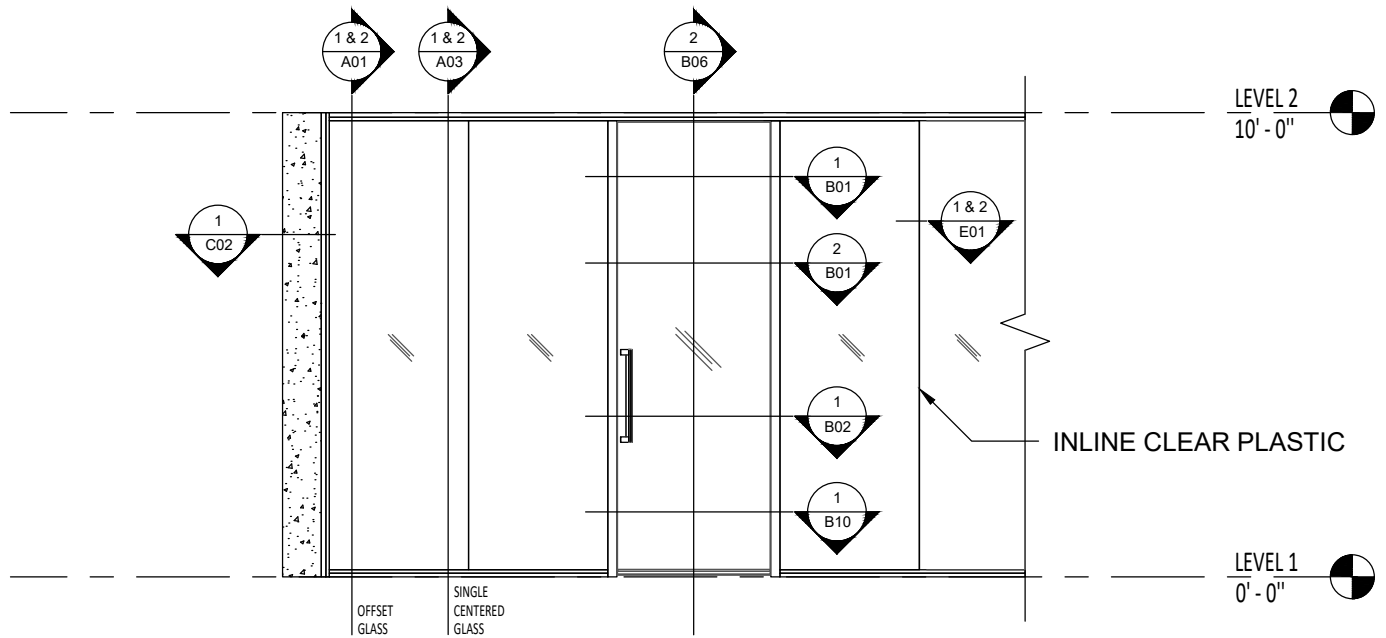
F04-6

Micro-Leveler Kit

F04-7



1 ELEVATION
EL1



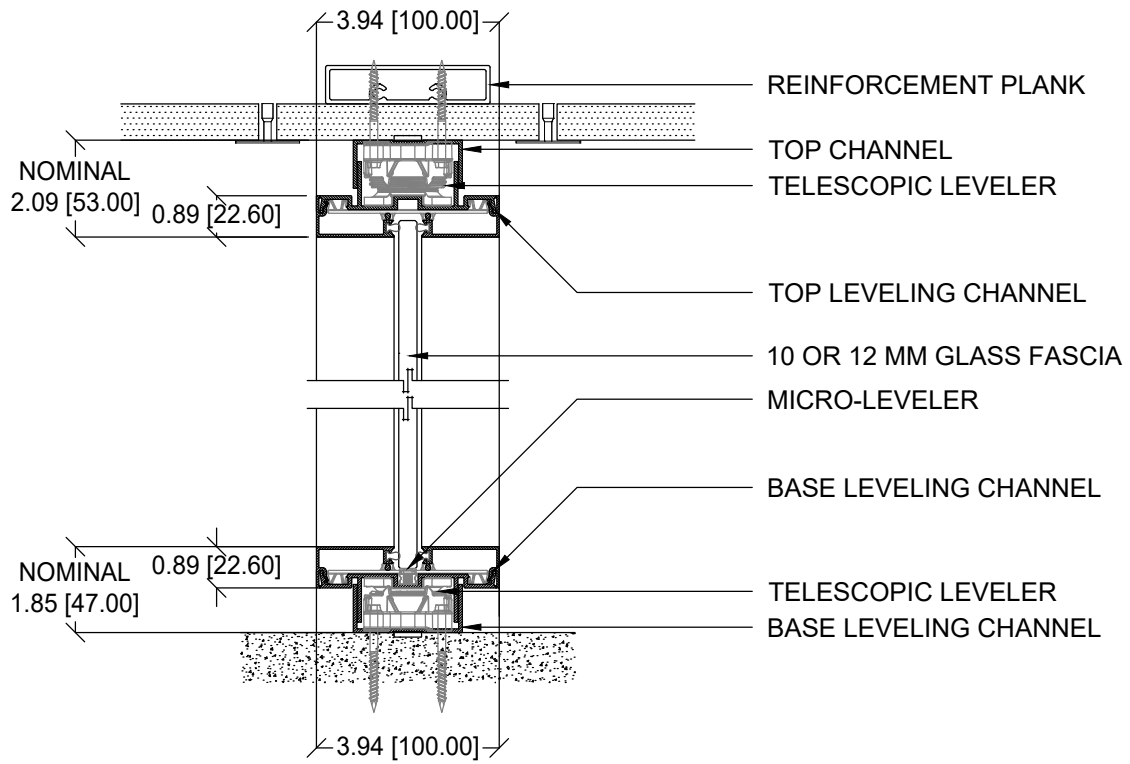
2 ELEVATION
EL1

FOCUS - ELEVATIONS

MODIFIED September 22, 2025 UNIT INCH SCALE 1:48

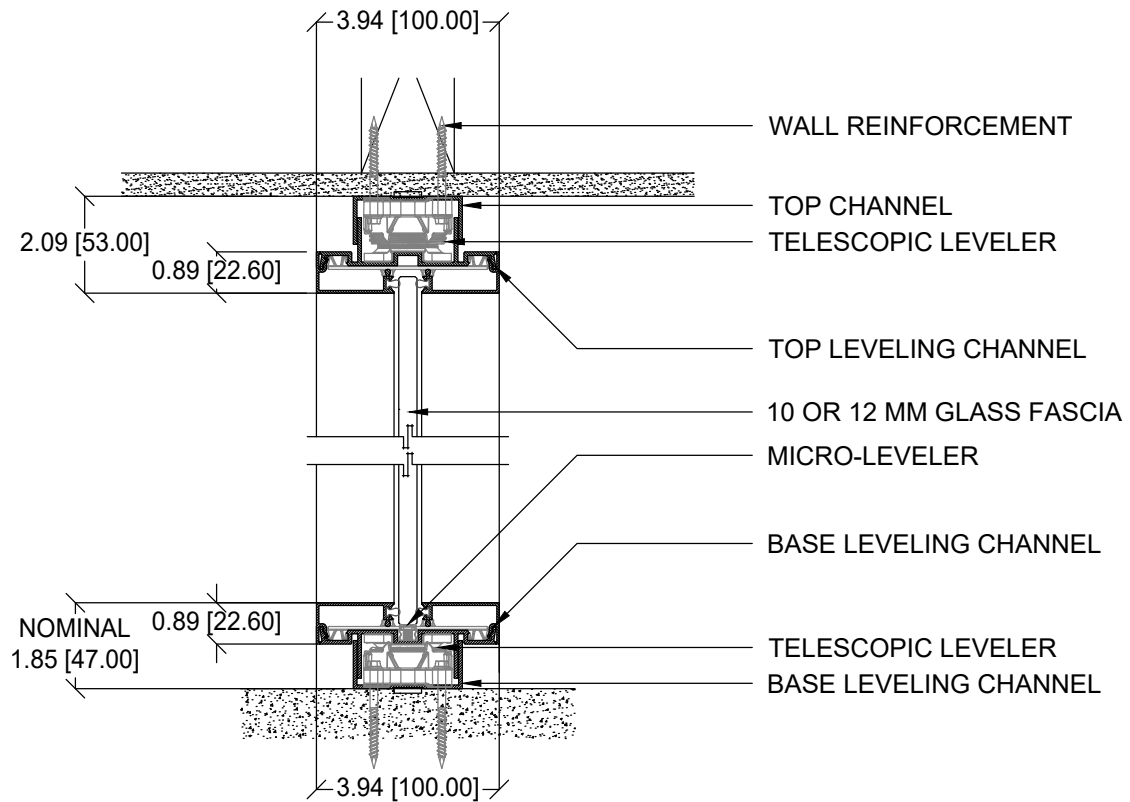
THIS DRAWING IS THE PROPERTY OF TEKNION LIMITED AND IS SUBJECT TO RETURN UPON DEMAND. IT MUST NOT BE SUBMITTED TO ANY OUTSIDE PARTIES FOR EXAMINATION WITHOUT TEKNION CONSENT. THIS DRAWING MUST NOT BE SCALED OR USED FOR CONSTRUCTION PURPOSES





1
A01

SINGLE CENTERED GLASS FRAME ASSEMBLY - ACOUSTIC TILE



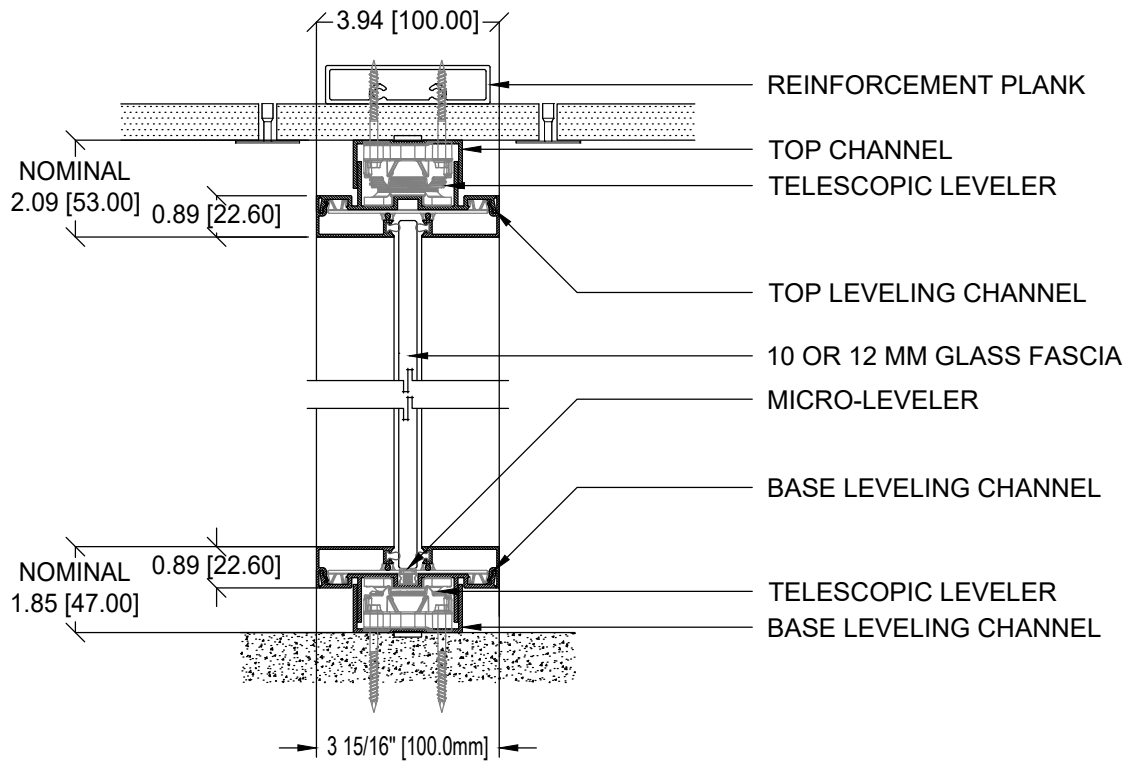
2
A01

SINGLE CENTERED GLASS FRAME ASSEMBLY - DRYWALL

FOCUS - HORIZONTAL FRAMES

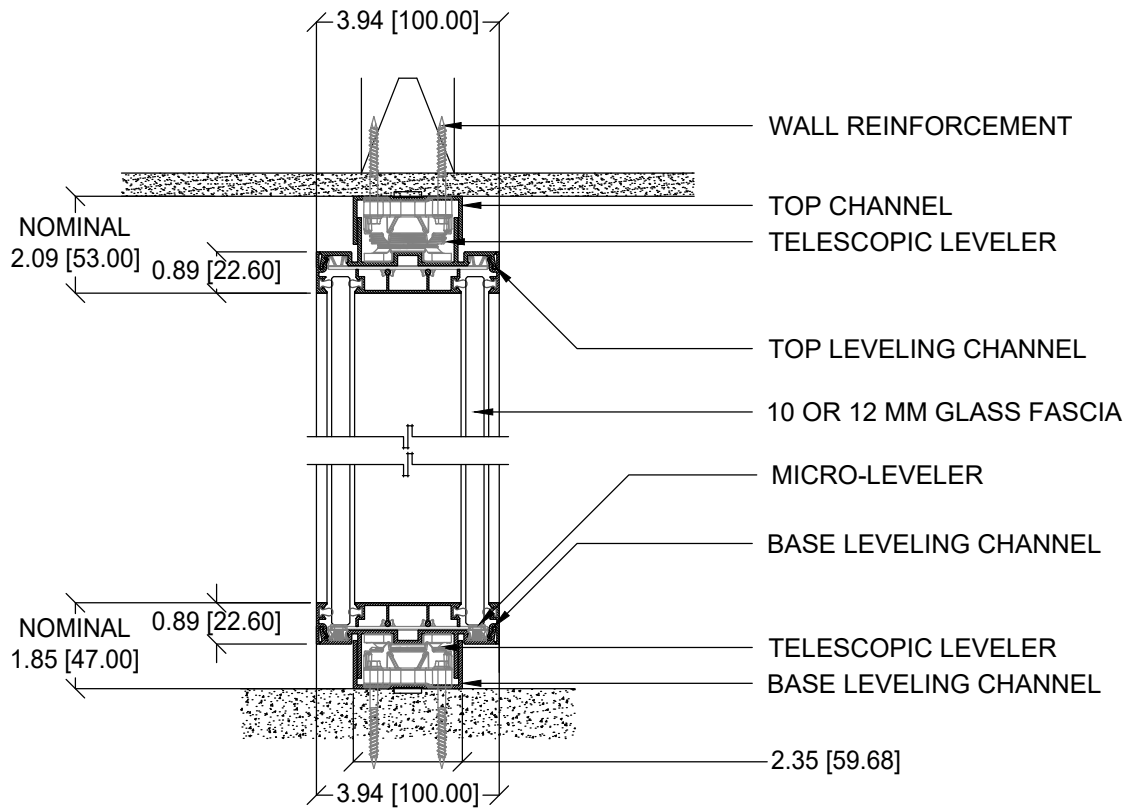
MODIFIED	September 22, 2025	UNIT	INCH	SCALE	1:4
----------	--------------------	------	------	-------	-----

THIS DRAWING IS THE PROPERTY OF TEKNION LIMITED AND IS SUBJECT TO RETURN UPON DEMAND. IT MUST NOT BE SUBMITTED TO ANY OUTSIDE PARTIES FOR EXAMINATION WITHOUT TEKNION CONSENT. THIS DRAWING MUST NOT BE SCALED OR USED FOR CONSTRUCTION PURPOSES



1
A02

DOUBLE GLASS FRAME ASSEMBLY - ACOUSTIC TILE



2
A02

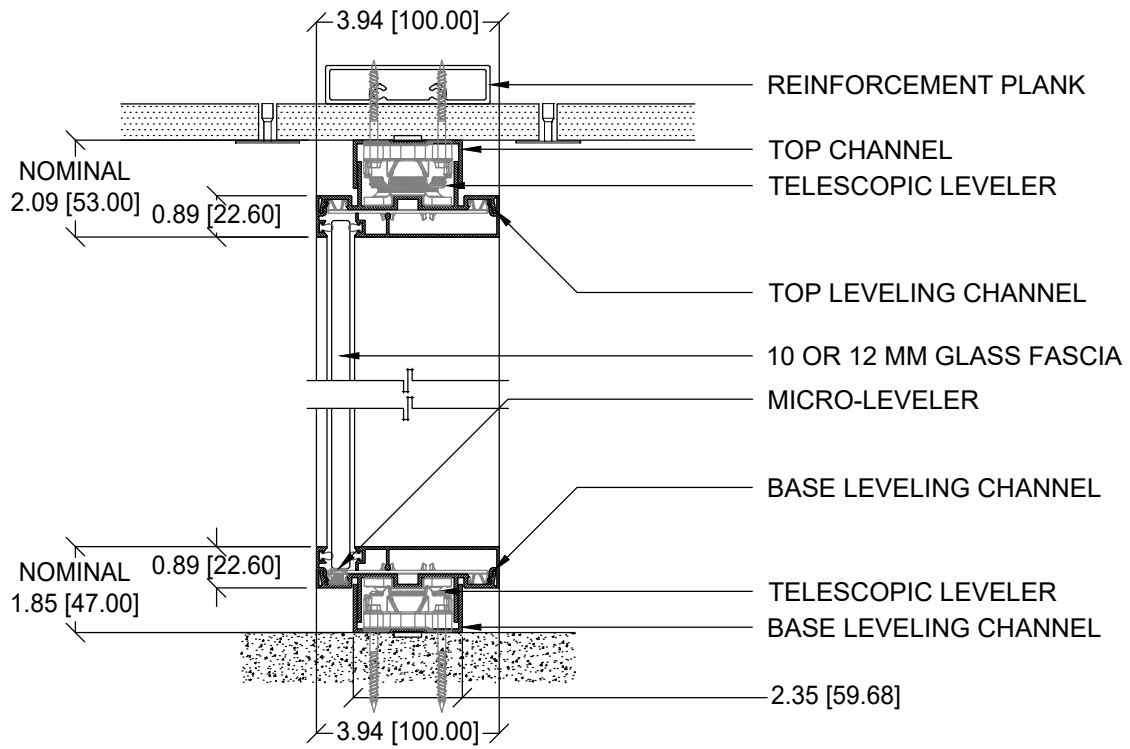
DOUBLE GLASS FRAME ASSEMBLY - DRYWALL

FOCUS - HORIZONTAL FRAMES

MODIFIED	September 22, 2025	UNIT	INCH	SCALE	1:4
----------	--------------------	------	------	-------	-----

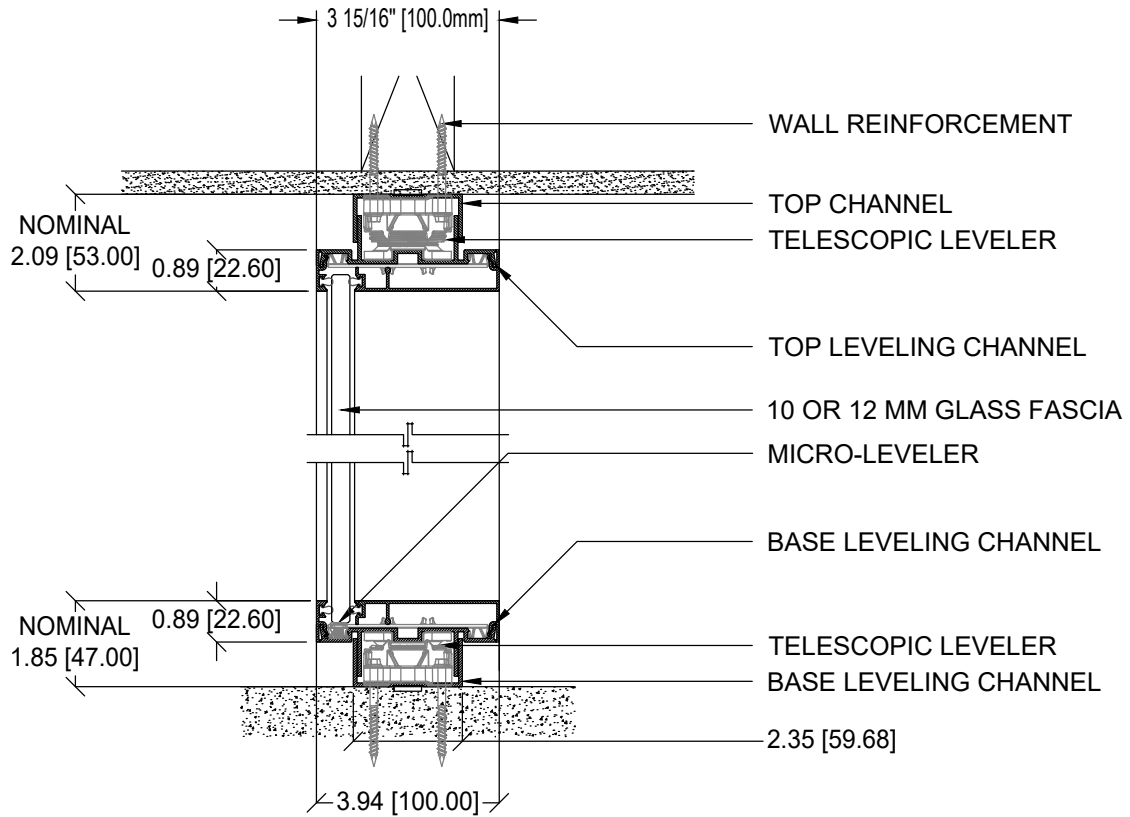
THIS DRAWING IS THE PROPERTY OF TEKNION LIMITED AND IS SUBJECT TO RETURN UPON DEMAND. IT MUST NOT BE SUBMITTED TO ANY OUTSIDE PARTIES FOR EXAMINATION WITHOUT TEKNION CONSENT. THIS DRAWING MUST NOT BE SCALED OR USED FOR CONSTRUCTION PURPOSES





1
A03

OFFSET GLASS FRAME ASSEMBLY - ACOUSTIC TILE



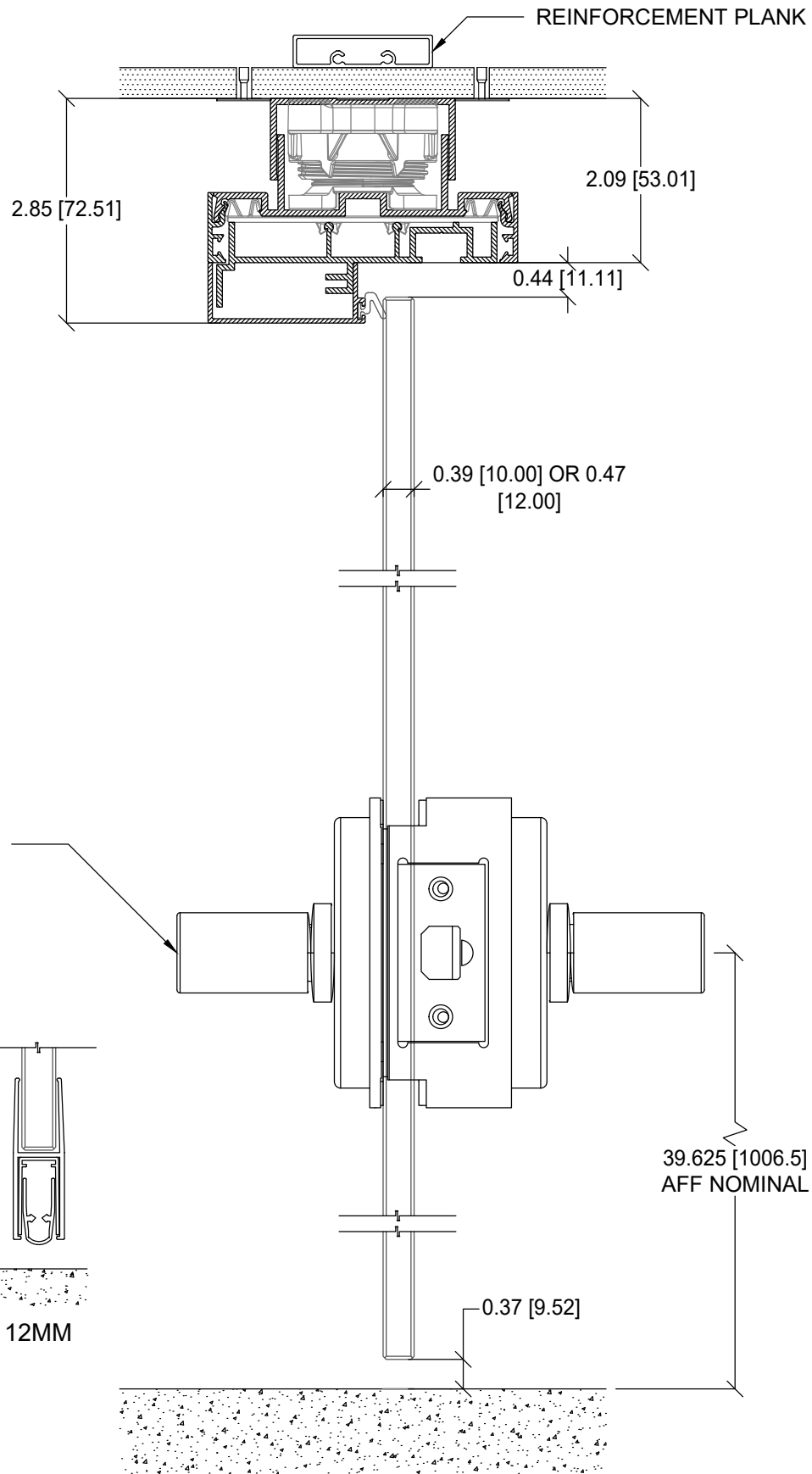
2
A03

OFFSET GLASS FRAME ASSEMBLY - DRYWALL

FOCUS - HORIZONTAL FRAMES

MODIFIED	September 22, 2025	UNIT	INCH	SCALE	1:4
----------	--------------------	------	------	-------	-----

THIS DRAWING IS THE PROPERTY OF TEKNION LIMITED AND IS SUBJECT TO RETURN UPON DEMAND. IT MUST NOT BE SUBMITTED TO ANY OUTSIDE PARTIES FOR EXAMINATION WITHOUT TEKNION CONSENT. THIS DRAWING MUST NOT BE SCALED OR USED FOR CONSTRUCTION PURPOSES



1/V GLASS HINGED DOOR LEAF SINGLE
 B01 WITH JAMB AND CYLINDRICAL LOCK ALX/ND

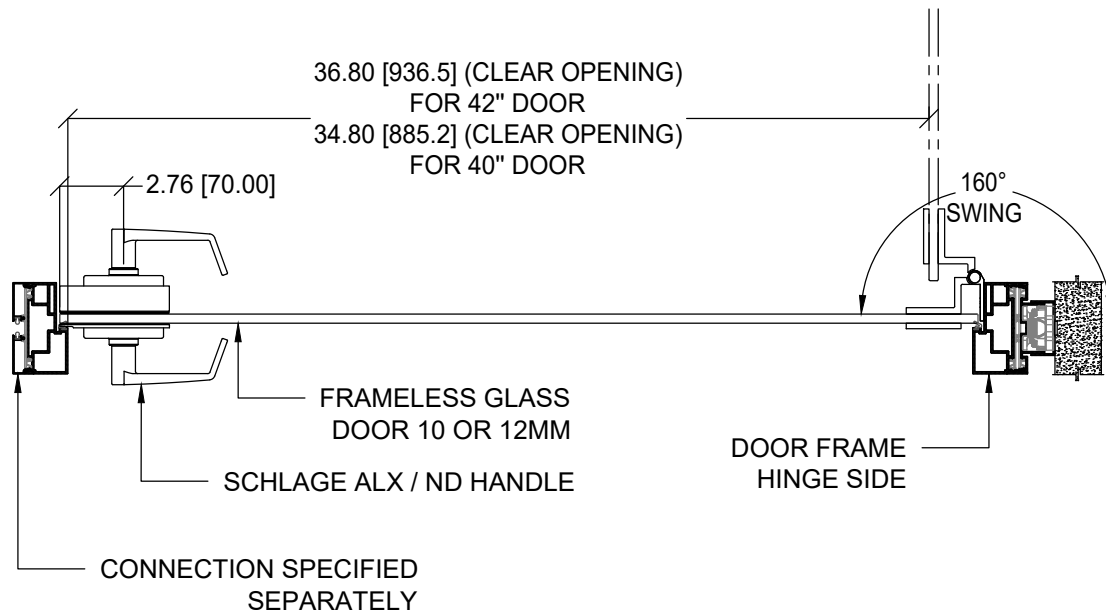
FOCUS - SWING DOOR DETAILS

MODIFIED	September 22, 2025	UNIT	INCH	SCALE	1:2
----------	--------------------	------	------	-------	-----

THIS DRAWING IS THE PROPERTY OF TEKNION LIMITED AND IS SUBJECT TO RETURN UPON DEMAND. IT MUST NOT BE SUBMITTED TO ANY OUTSIDE PARTIES FOR EXAMINATION WITHOUT TEKNION CONSENT. THIS DRAWING MUST NOT BE SCALED OR USED FOR CONSTRUCTION PURPOSES

teknion

Publish Date: Jan 14, 2026



1/H
B01

GLASS HINGED DOOR LEAF SINGLE
WITH JAMB AND CYLINDRICAL LOCK ALX/ND

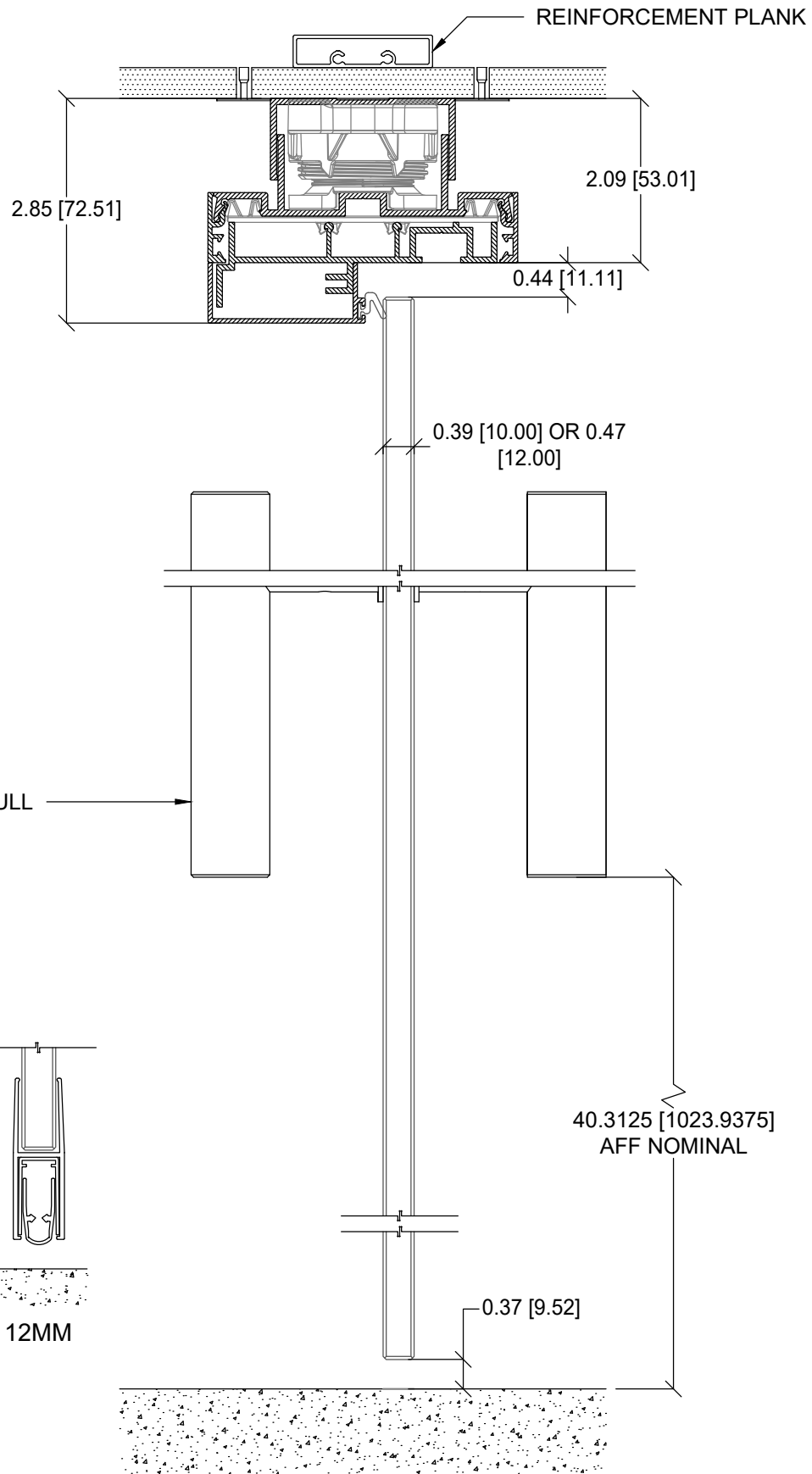
FOCUS - SWING DOOR DETAILS

MODIFIED	September 22, 2025	UNIT	INCH	SCALE	1:8
----------	--------------------	------	------	-------	-----

THIS DRAWING IS THE PROPERTY OF TEKNION LIMITED AND IS SUBJECT TO RETURN UPON DEMAND. IT MUST NOT BE SUBMITTED TO ANY OUTSIDE PARTIES FOR EXAMINATION WITHOUT TEKNION CONSENT. THIS DRAWING MUST NOT BE SCALED OR USED FOR CONSTRUCTION PURPOSES

teknion

Publish Date: Jan 14, 2026



2/V GLASS HINGED DOOR LEAF SINGLE
B01 WITH JAMB AND CEILING PULL

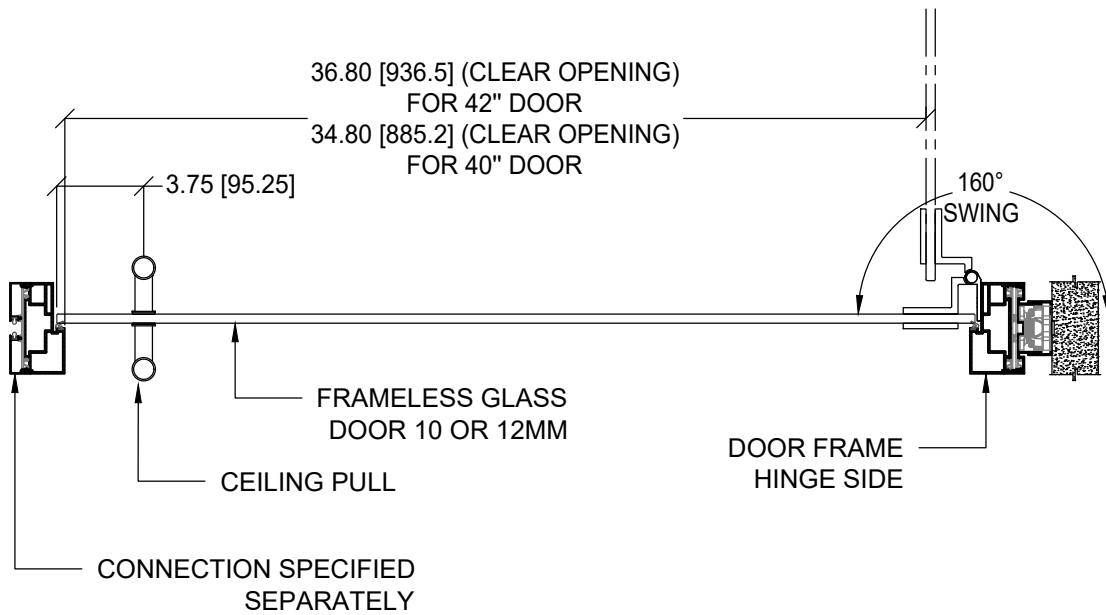
FOCUS - SWING DOOR DETAILS

MODIFIED	September 22, 2025	UNIT	INCH	SCALE	1:2
----------	--------------------	------	------	-------	-----

THIS DRAWING IS THE PROPERTY OF TEKNION LIMITED AND IS SUBJECT TO RETURN UPON DEMAND. IT MUST NOT BE SUBMITTED TO ANY OUTSIDE PARTIES FOR EXAMINATION WITHOUT TEKNION CONSENT. THIS DRAWING MUST NOT BE SCALED OR USED FOR CONSTRUCTION PURPOSES

teknion

Publish Date: Jan 14, 2026

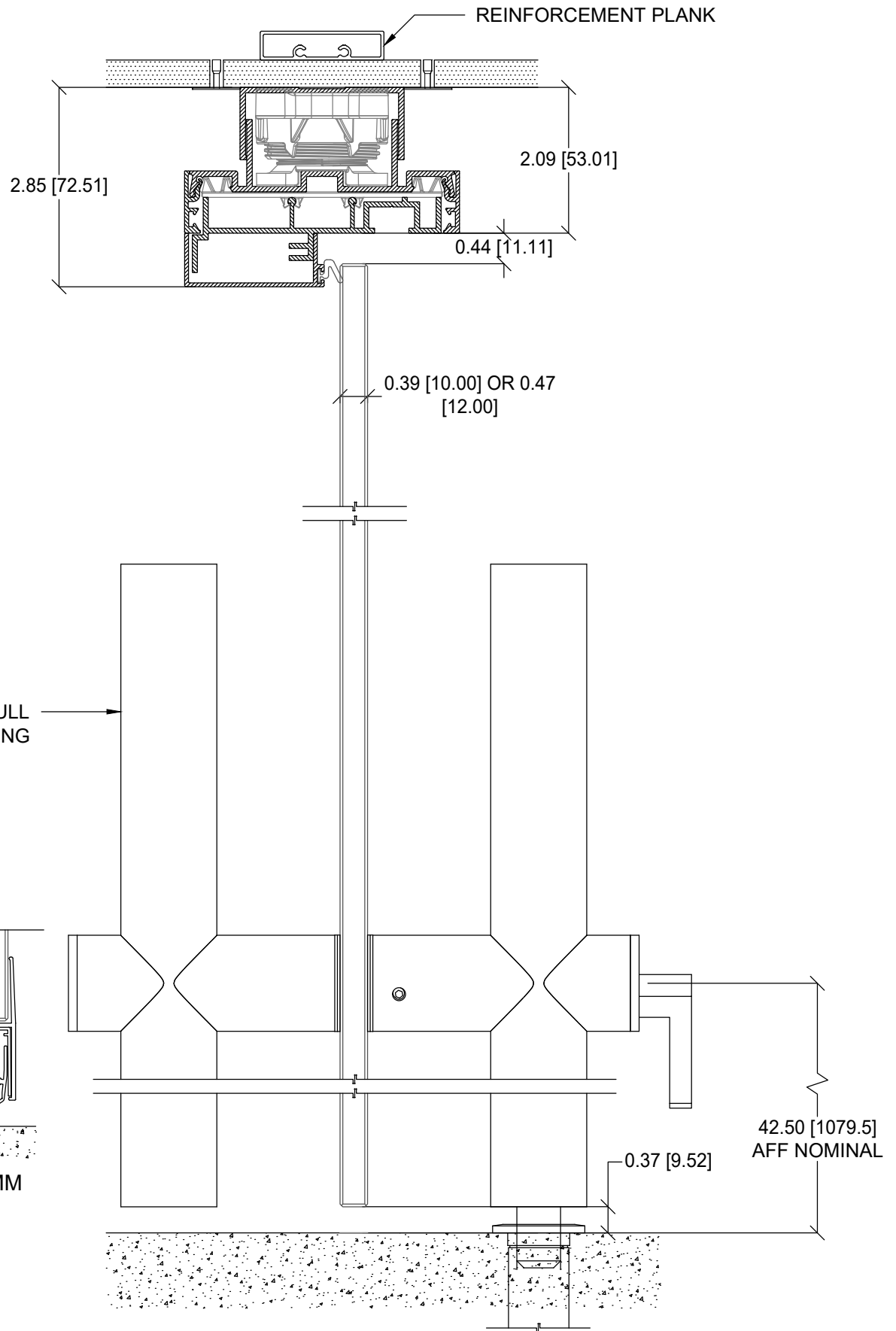


2/H GLASS HINGED DOOR LEAF SINGLE
B01 WITH JAMB AND CEILING PULL

FOCUS - SWING DOOR DETAILS

MODIFIED	September 22, 2025	UNIT	INCH	SCALE	1:8
----------	--------------------	------	------	-------	-----

THIS DRAWING IS THE PROPERTY OF TEKNION LIMITED AND IS SUBJECT TO RETURN UPON DEMAND. IT MUST NOT BE SUBMITTED TO ANY OUTSIDE PARTIES FOR EXAMINATION WITHOUT TEKNION CONSENT. THIS DRAWING MUST NOT BE SCALED OR USED FOR CONSTRUCTION PURPOSES



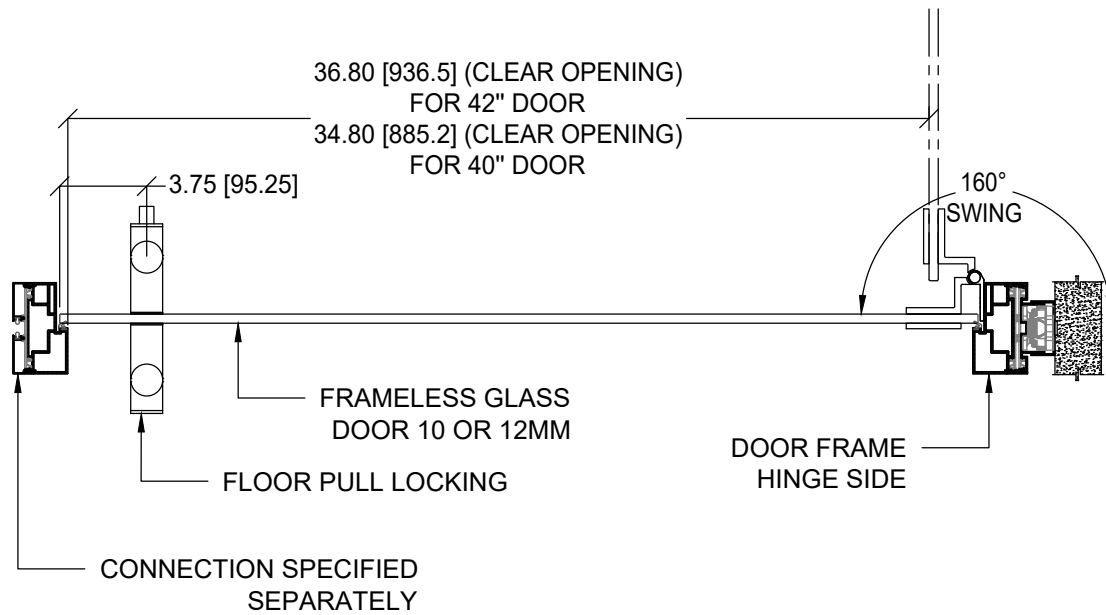
3/V
B01

GLASS HINGED DOOR LEAF SINGLE
WITH JAMB AND FLOOR PULL LOCKING

FOCUS - SWING DOOR DETAILS

MODIFIED	September 22, 2025	UNIT	INCH	SCALE	1:2
----------	--------------------	------	------	-------	-----

THIS DRAWING IS THE PROPERTY OF TEKNION LIMITED AND IS SUBJECT TO RETURN UPON DEMAND. IT MUST NOT BE SUBMITTED TO ANY OUTSIDE PARTIES FOR EXAMINATION WITHOUT TEKNION CONSENT. THIS DRAWING MUST NOT BE SCALED OR USED FOR CONSTRUCTION PURPOSES



3/H

GLASS HINGED DOOR LEAF SINGLE

B01

WITH JAMB AND FLOOR PULL LOCKING

FOCUS - SWING DOOR DETAILS

MODIFIED

September 22, 2025

UNIT

INCH

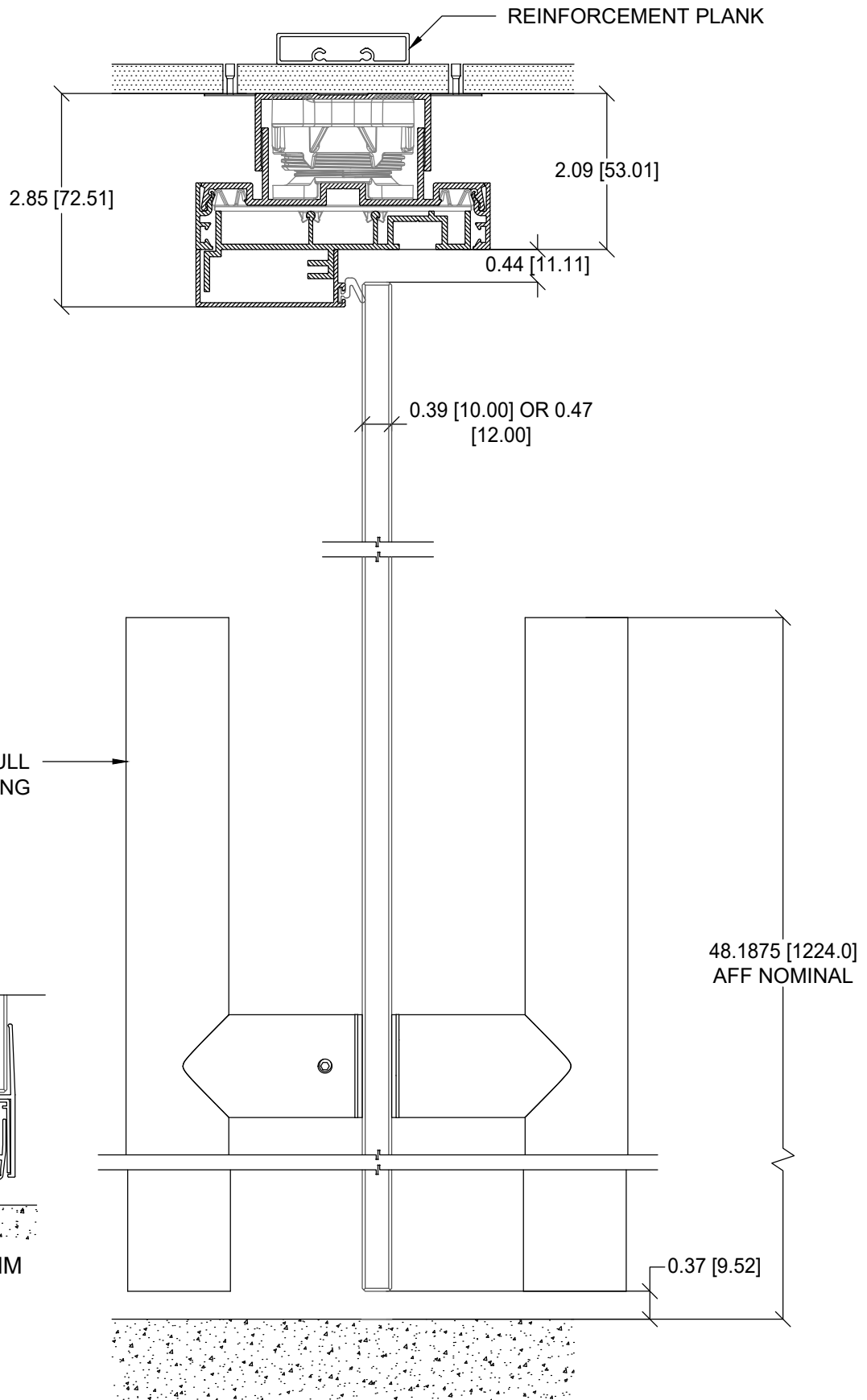
SCALE

1:8

THIS DRAWING IS THE PROPERTY OF TEKNION LIMITED AND IS SUBJECT TO RETURN UPON DEMAND. IT MUST NOT BE SUBMITTED TO ANY OUTSIDE PARTIES FOR EXAMINATION WITHOUT TEKNION CONSENT. THIS DRAWING MUST NOT BE SCALED OR USED FOR CONSTRUCTION PURPOSES

teknion

Publish Date: Jan 14, 2026



4/V GLASS HINGED DOOR LEAF SINGLE
 B01 WITH JAMB AND FLOOR PULL NON LOCKING

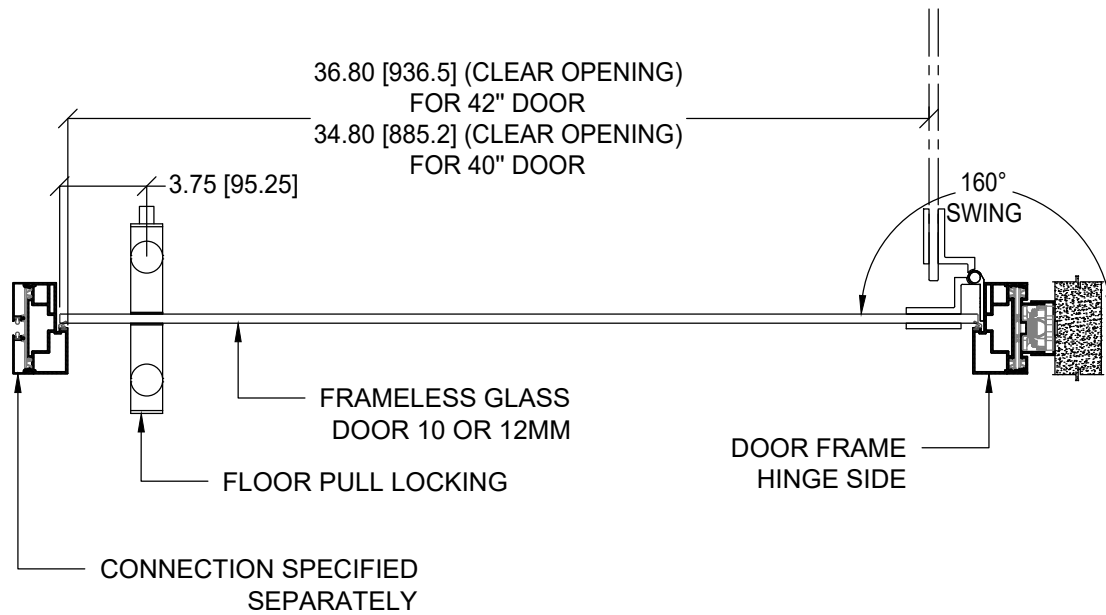
FOCUS - SWING DOOR DETAILS

MODIFIED	September 22, 2025	UNIT	INCH	SCALE	1:2
----------	--------------------	------	------	-------	-----

THIS DRAWING IS THE PROPERTY OF TEKNION LIMITED AND IS SUBJECT TO RETURN UPON DEMAND. IT MUST NOT BE SUBMITTED TO ANY OUTSIDE PARTIES FOR EXAMINATION WITHOUT TEKNION CONSENT. THIS DRAWING MUST NOT BE SCALED OR USED FOR CONSTRUCTION PURPOSES

teknion

Publish Date: Jan 14, 2026



4/H

GLASS HINGED DOOR LEAF SINGLE

B01

WITH JAMB AND FLOOR PULL NON LOCKING

FOCUS - SWING DOOR DETAILS

MODIFIED

September 22, 2025

UNIT

INCH

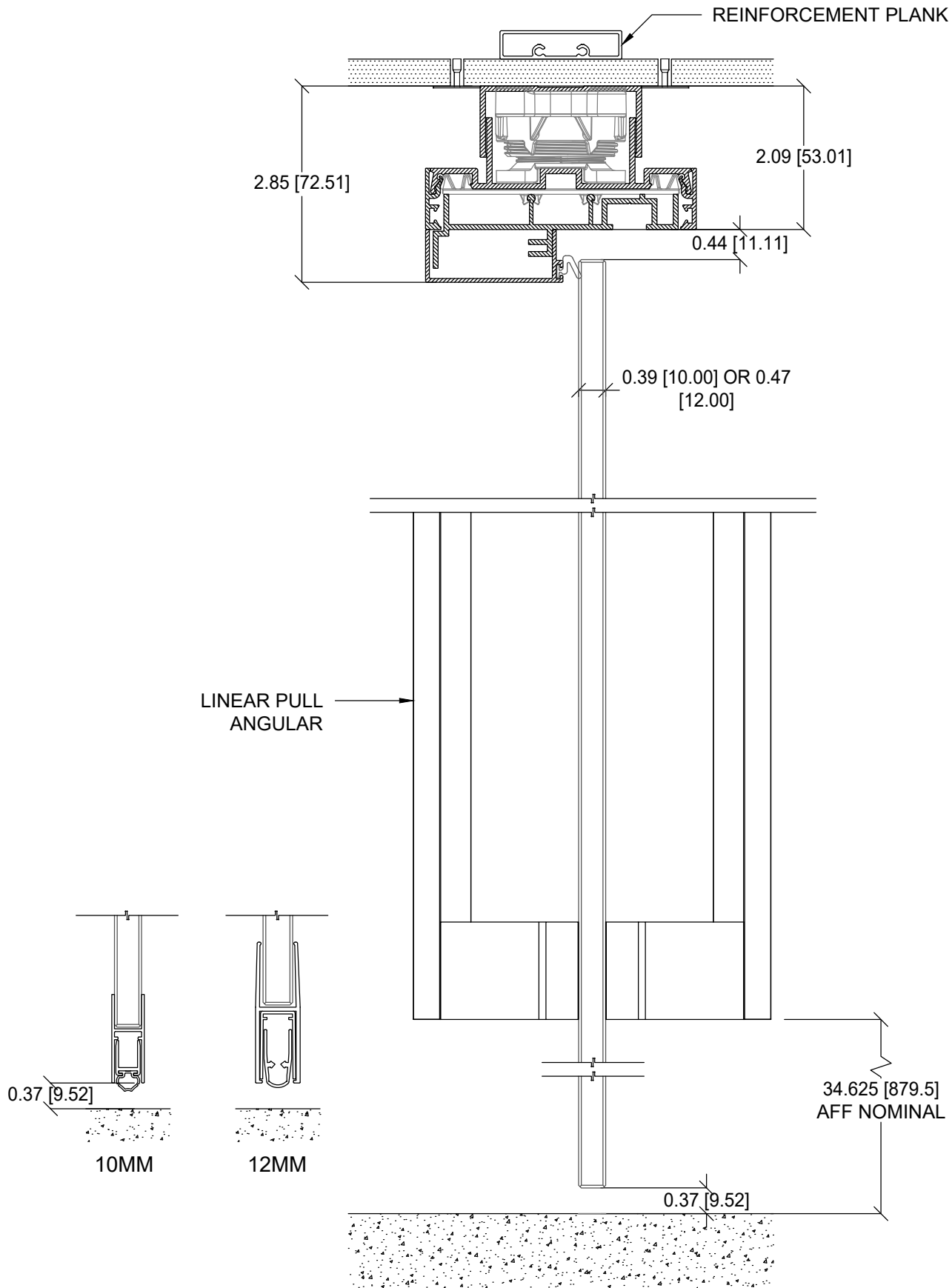
SCALE

1:8

THIS DRAWING IS THE PROPERTY OF TEKNION LIMITED AND IS SUBJECT TO RETURN UPON DEMAND. IT MUST NOT BE SUBMITTED TO ANY OUTSIDE PARTIES FOR EXAMINATION WITHOUT TEKNION CONSENT. THIS DRAWING MUST NOT BE SCALED OR USED FOR CONSTRUCTION PURPOSES

teknion

Publish Date: Jan 14, 2026

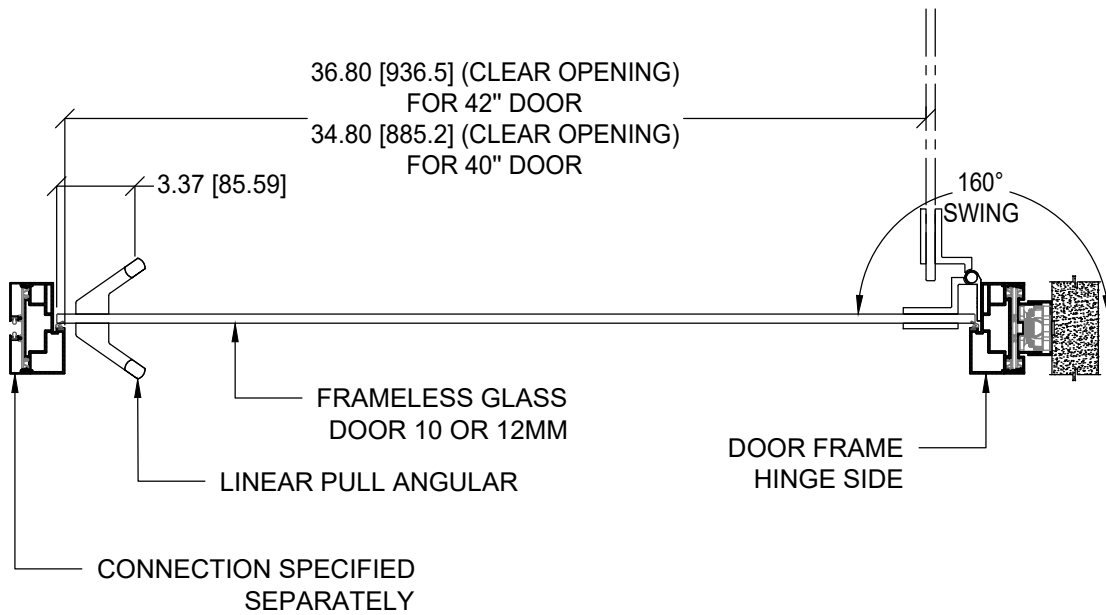


5/V GLASS HINGED DOOR LEAF SINGLE
 B01 WITH JAMB AND LINEAR PULL ANGULAR

FOCUS - SWING DOOR DETAILS

MODIFIED	September 22, 2025	UNIT	INCH	SCALE	1:2
----------	--------------------	------	------	-------	-----

THIS DRAWING IS THE PROPERTY OF TEKNION LIMITED AND IS SUBJECT TO RETURN UPON DEMAND. IT MUST NOT BE SUBMITTED TO ANY OUTSIDE PARTIES FOR EXAMINATION WITHOUT TEKNION CONSENT. THIS DRAWING MUST NOT BE SCALED OR USED FOR CONSTRUCTION PURPOSES



5/H

GLASS HINGED DOOR LEAF SINGLE

B01

WITH JAMB AND FLOOR PULL NON LOCKING

FOCUS - SWING DOOR DETAILS

MODIFIED

September 22, 2025

UNIT

INCH

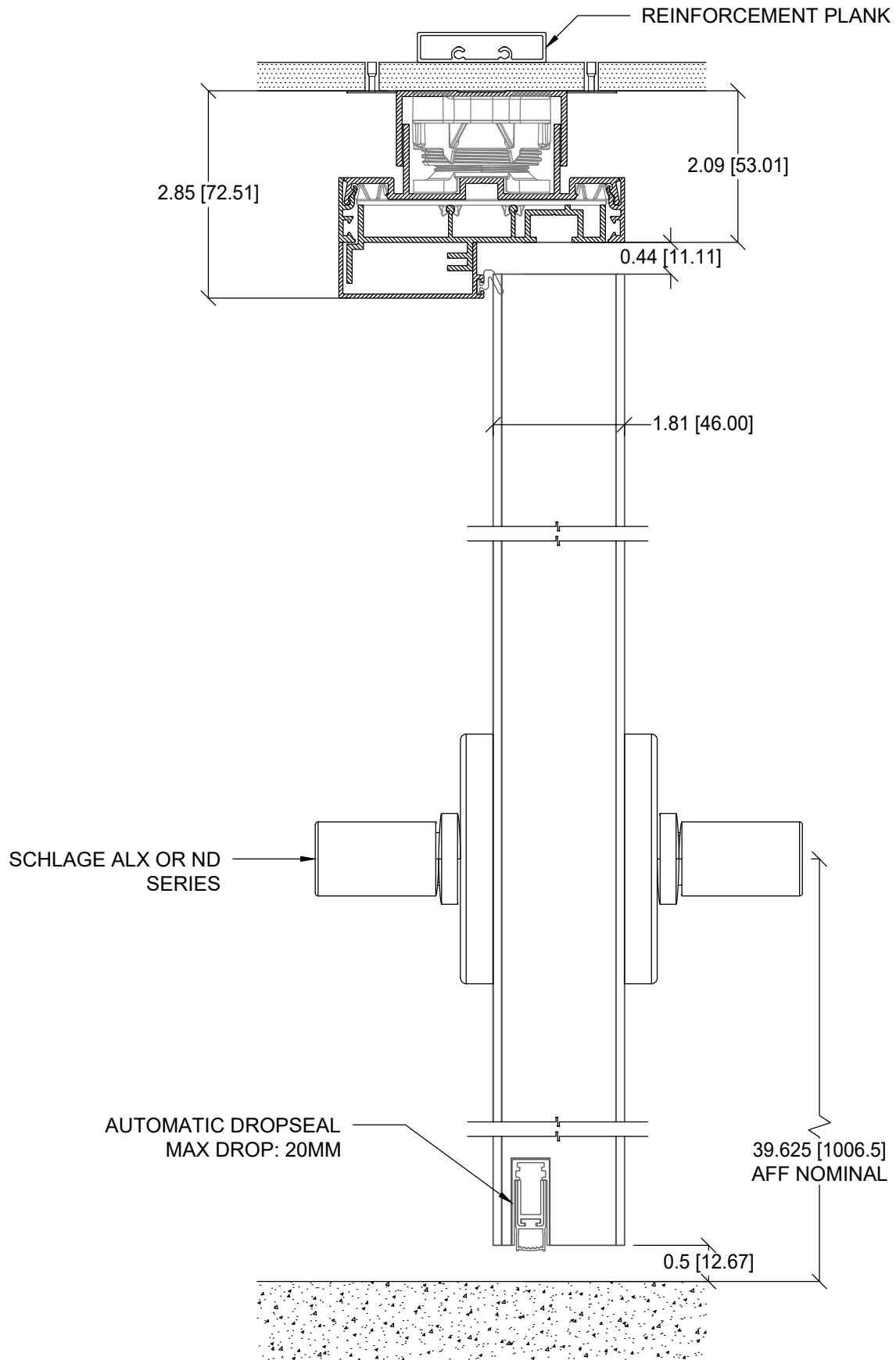
SCALE

1:8

THIS DRAWING IS THE PROPERTY OF TEKNION LIMITED AND IS SUBJECT TO RETURN UPON DEMAND. IT MUST NOT BE SUBMITTED TO ANY OUTSIDE PARTIES FOR EXAMINATION WITHOUT TEKNION CONSENT. THIS DRAWING MUST NOT BE SCALED OR USED FOR CONSTRUCTION PURPOSES

teknion

Publish Date: Jan 14, 2026



1/V
B02

SOLID HINGED DOOR LEAF SINGLE
WITH JAMB AND CYLINDRICAL LOCK ALX/ND

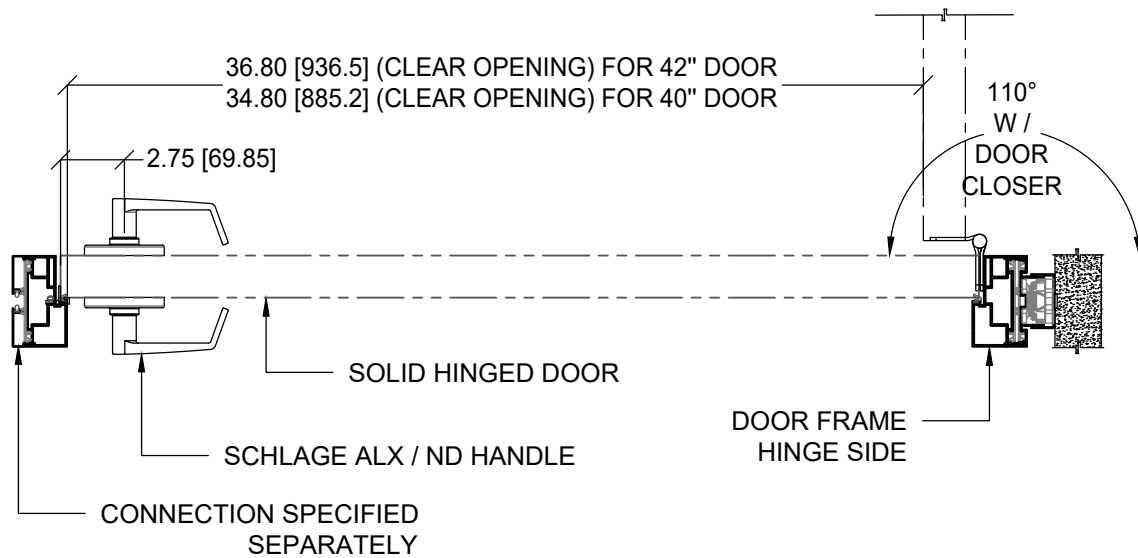
FOCUS - SWING DOOR DETAILS

MODIFIED	September 22, 2025	UNIT	INCH	SCALE	1:2
----------	--------------------	------	------	-------	-----

THIS DRAWING IS THE PROPERTY OF TEKNION LIMITED AND IS SUBJECT TO RETURN UPON DEMAND. IT MUST NOT BE SUBMITTED TO ANY OUTSIDE PARTIES FOR EXAMINATION WITHOUT TEKNION CONSENT. THIS DRAWING MUST NOT BE SCALED OR USED FOR CONSTRUCTION PURPOSES

teknion

Publish Date: Jan 14, 2026



1/H

SOLID HINGED DOOR LEAF SINGLE

B02

WITH JAMB AND CYLINDRICAL LOCK ALX/ND

FOCUS - SWING DOOR DETAILS

MODIFIED

September 22, 2025

UNIT

INCH

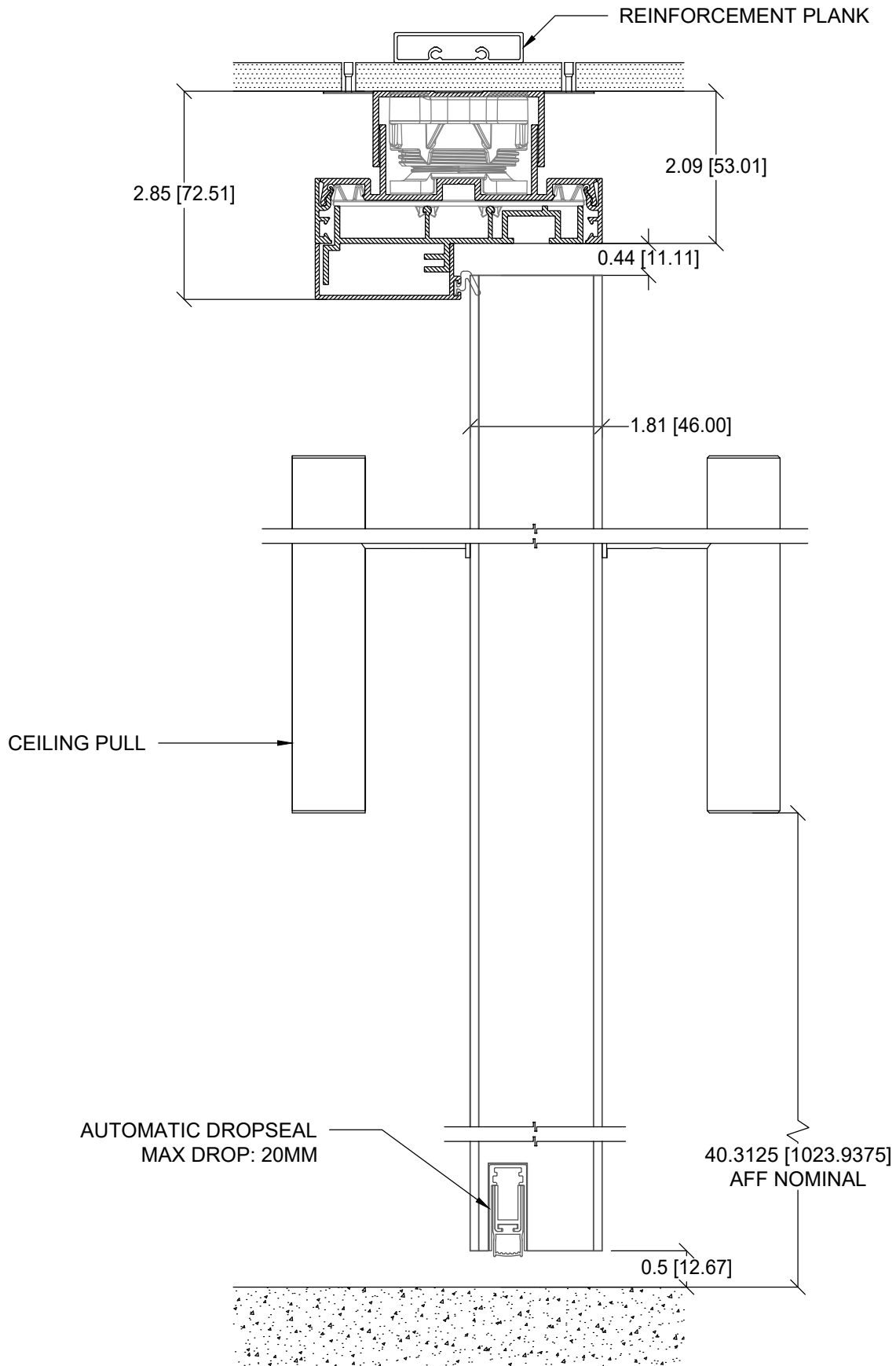
SCALE

1:8

THIS DRAWING IS THE PROPERTY OF TEKNION LIMITED AND IS SUBJECT TO RETURN UPON DEMAND. IT MUST NOT BE SUBMITTED TO ANY OUTSIDE PARTIES FOR EXAMINATION WITHOUT TEKNION CONSENT. THIS DRAWING MUST NOT BE SCALED OR USED FOR CONSTRUCTION PURPOSES

teknion

Publish Date: Jan 14, 2026



2/V

SOLID HINGED DOOR LEAF SINGLE

B02

WITH JAMB AND CEILING PULL NON LOCKING

FOCUS - SWING DOOR DETAILS

MODIFIED

September 22, 2025

UNIT

INCH

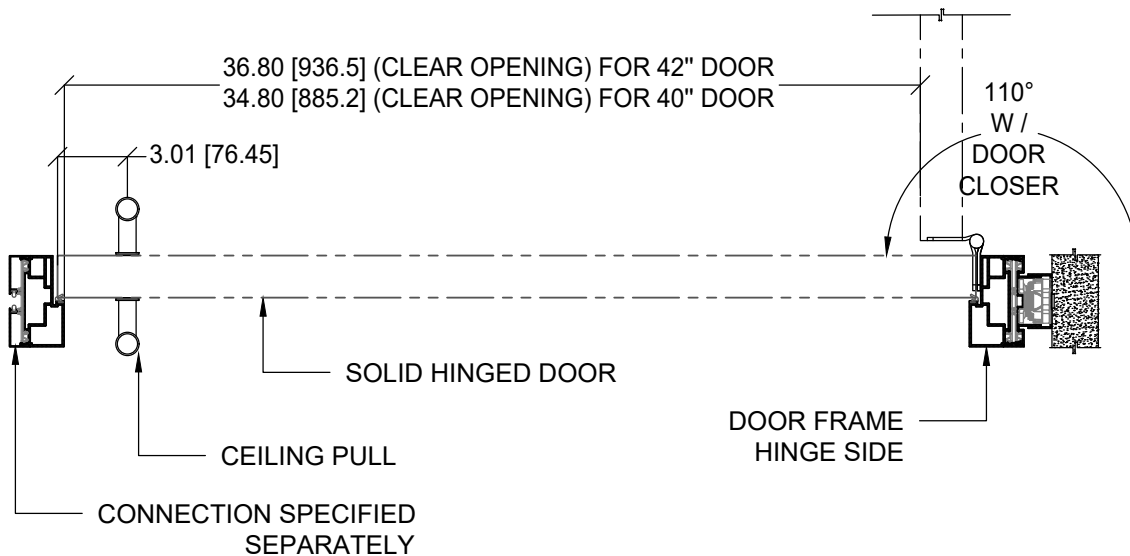
SCALE

1:2

THIS DRAWING IS THE PROPERTY OF TEKNION LIMITED AND IS SUBJECT TO RETURN UPON DEMAND. IT MUST NOT BE SUBMITTED TO ANY OUTSIDE PARTIES FOR EXAMINATION WITHOUT TEKNION CONSENT. THIS DRAWING MUST NOT BE SCALED OR USED FOR CONSTRUCTION PURPOSES

teknion

Publish Date: Jan 14, 2026

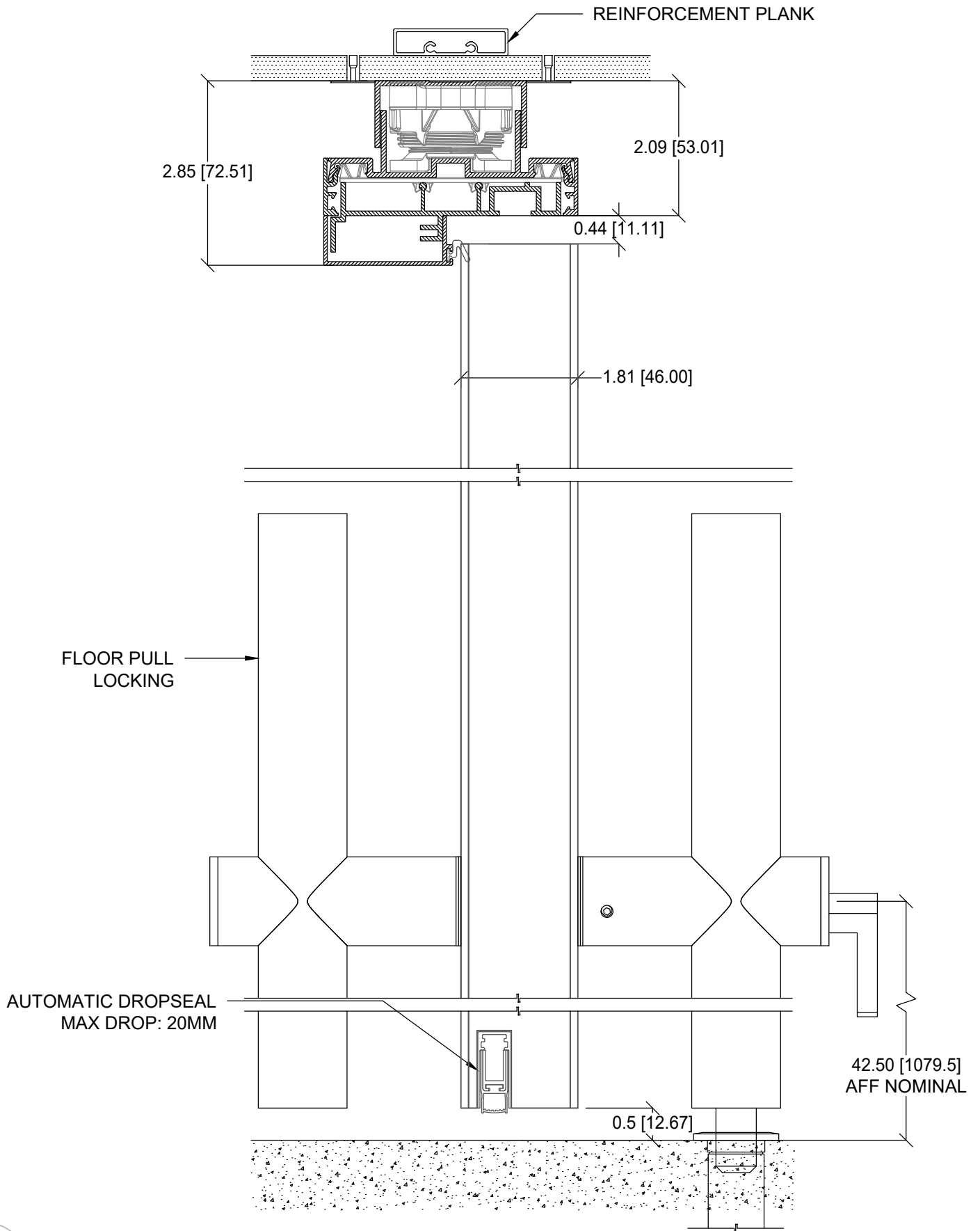


2/H SOLID HINGED DOOR LEAF SINGLE
 B02 WITH JAMB AND CEILING PULL NON LOCKING

FOCUS - SWING DOOR DETAILS

MODIFIED	September 22, 2025	UNIT	INCH	SCALE	1:8
----------	--------------------	------	------	-------	-----

THIS DRAWING IS THE PROPERTY OF TEKNION LIMITED AND IS SUBJECT TO RETURN UPON DEMAND. IT MUST NOT BE SUBMITTED TO ANY OUTSIDE PARTIES FOR EXAMINATION WITHOUT TEKNION CONSENT. THIS DRAWING MUST NOT BE SCALED OR USED FOR CONSTRUCTION PURPOSES



3/V
B02

SOLID HINGED DOOR LEAF SINGLE
WITH JAMB AND FLOOR PULL LOCKING

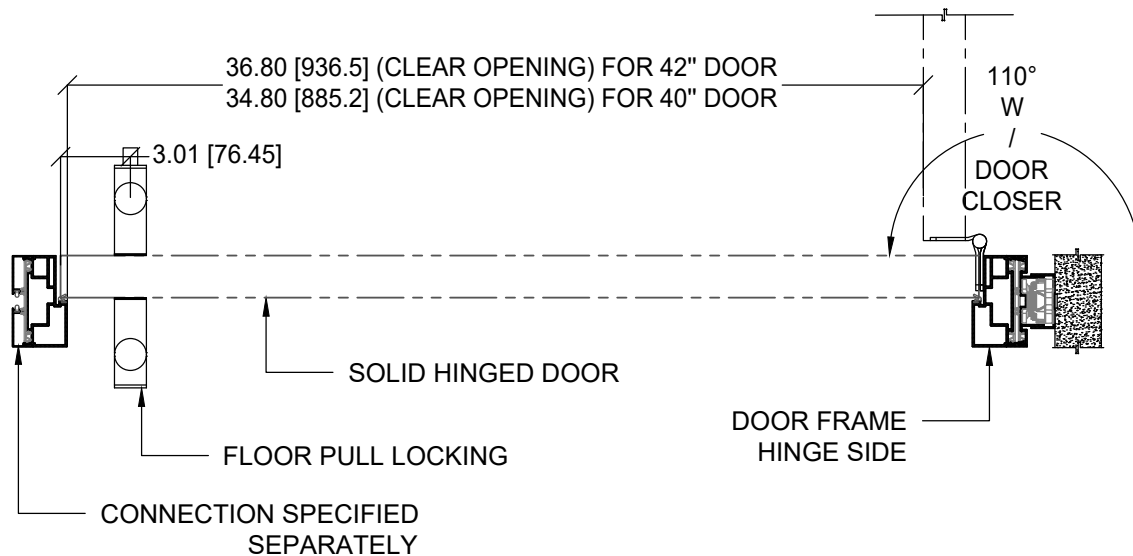
FOCUS - SWING DOOR DETAILS

MODIFIED	September 22, 2025	UNIT	INCH	SCALE	1:2
----------	--------------------	------	------	-------	-----

THIS DRAWING IS THE PROPERTY OF TEKNION LIMITED AND IS SUBJECT TO RETURN UPON DEMAND. IT MUST NOT BE SUBMITTED TO ANY OUTSIDE PARTIES FOR EXAMINATION WITHOUT TEKNION CONSENT. THIS DRAWING MUST NOT BE SCALED OR USED FOR CONSTRUCTION PURPOSES

teknion

Publish Date: Jan 14, 2026



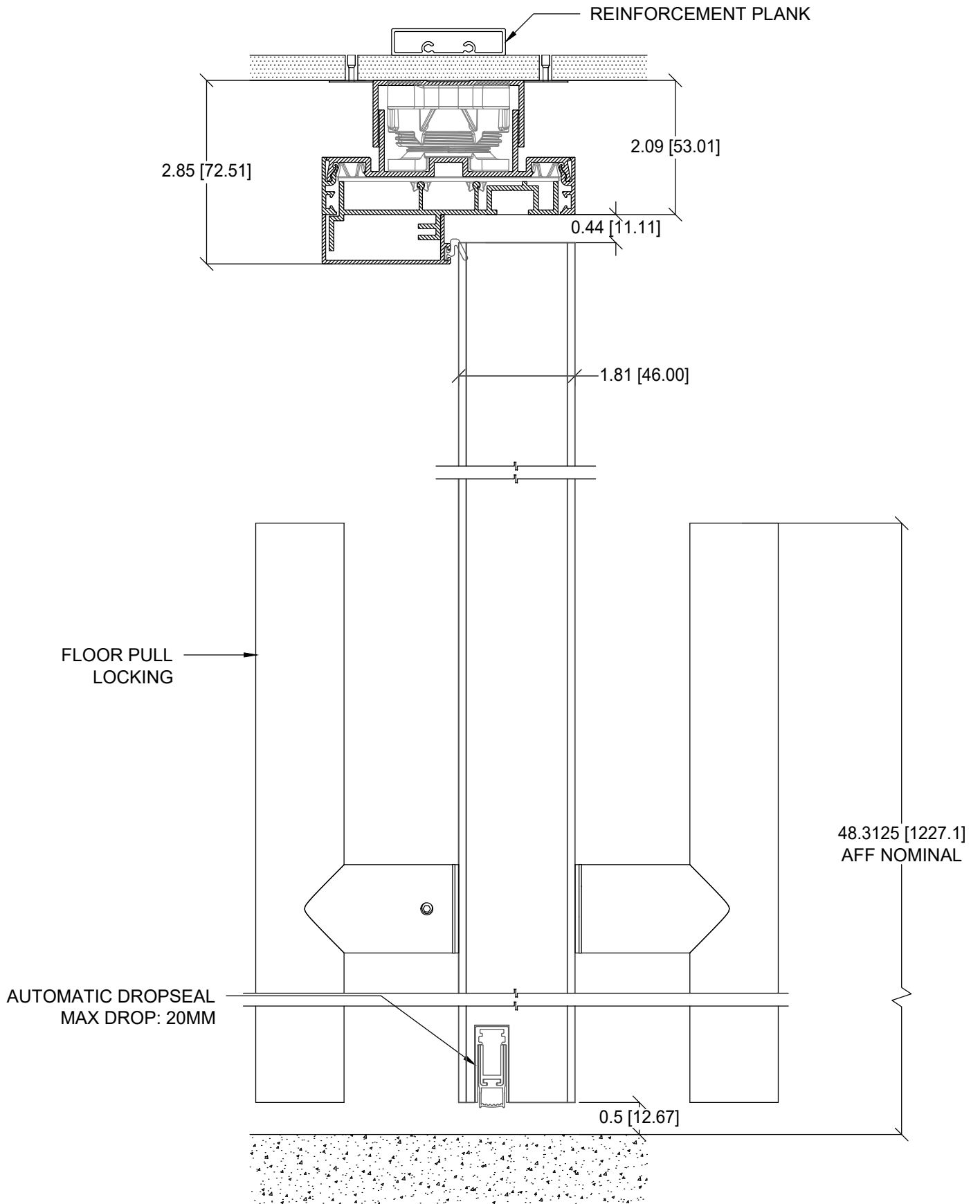
3/H
 B02

SOLID HINGED DOOR LEAF SINGLE
 WITH JAMB AND FLOOR PULL LOCKING

FOCUS - SWING DOOR DETAILS

MODIFIED	September 22, 2025	UNIT	INCH	SCALE	1:8
----------	--------------------	------	------	-------	-----

THIS DRAWING IS THE PROPERTY OF TEKNION LIMITED AND IS SUBJECT TO RETURN UPON DEMAND. IT MUST NOT BE SUBMITTED TO ANY OUTSIDE PARTIES FOR EXAMINATION WITHOUT TEKNION CONSENT. THIS DRAWING MUST NOT BE SCALED OR USED FOR CONSTRUCTION PURPOSES



4/V
B03

SOLID HINGED DOOR LEAF SINGLE
WITH JAMB AND FLOOR PULL NON LOCKING

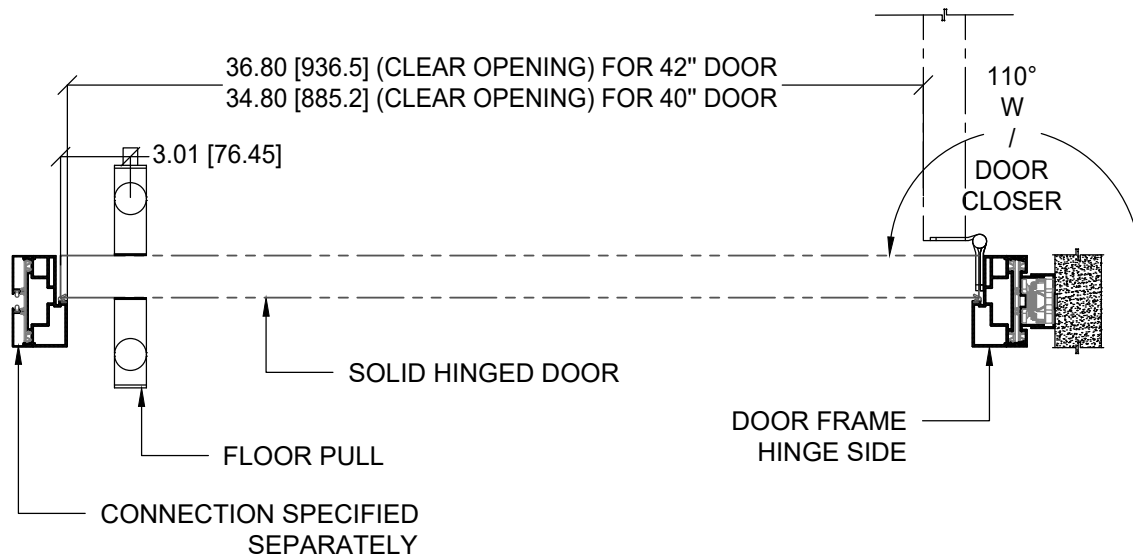
FOCUS - SWING DOOR DETAILS

MODIFIED	September 22, 2025	UNIT	INCH	SCALE	1:2
----------	--------------------	------	------	-------	-----

THIS DRAWING IS THE PROPERTY OF TEKNION LIMITED AND IS SUBJECT TO RETURN UPON DEMAND. IT MUST NOT BE SUBMITTED TO ANY OUTSIDE PARTIES FOR EXAMINATION WITHOUT TEKNION CONSENT. THIS DRAWING MUST NOT BE SCALED OR USED FOR CONSTRUCTION PURPOSES

teknion

Publish Date: Jan 14, 2026



4/H SOLID HINGED DOOR LEAF SINGLE
 B02 WITH JAMB AND FLOOR PULL NON LOCKING

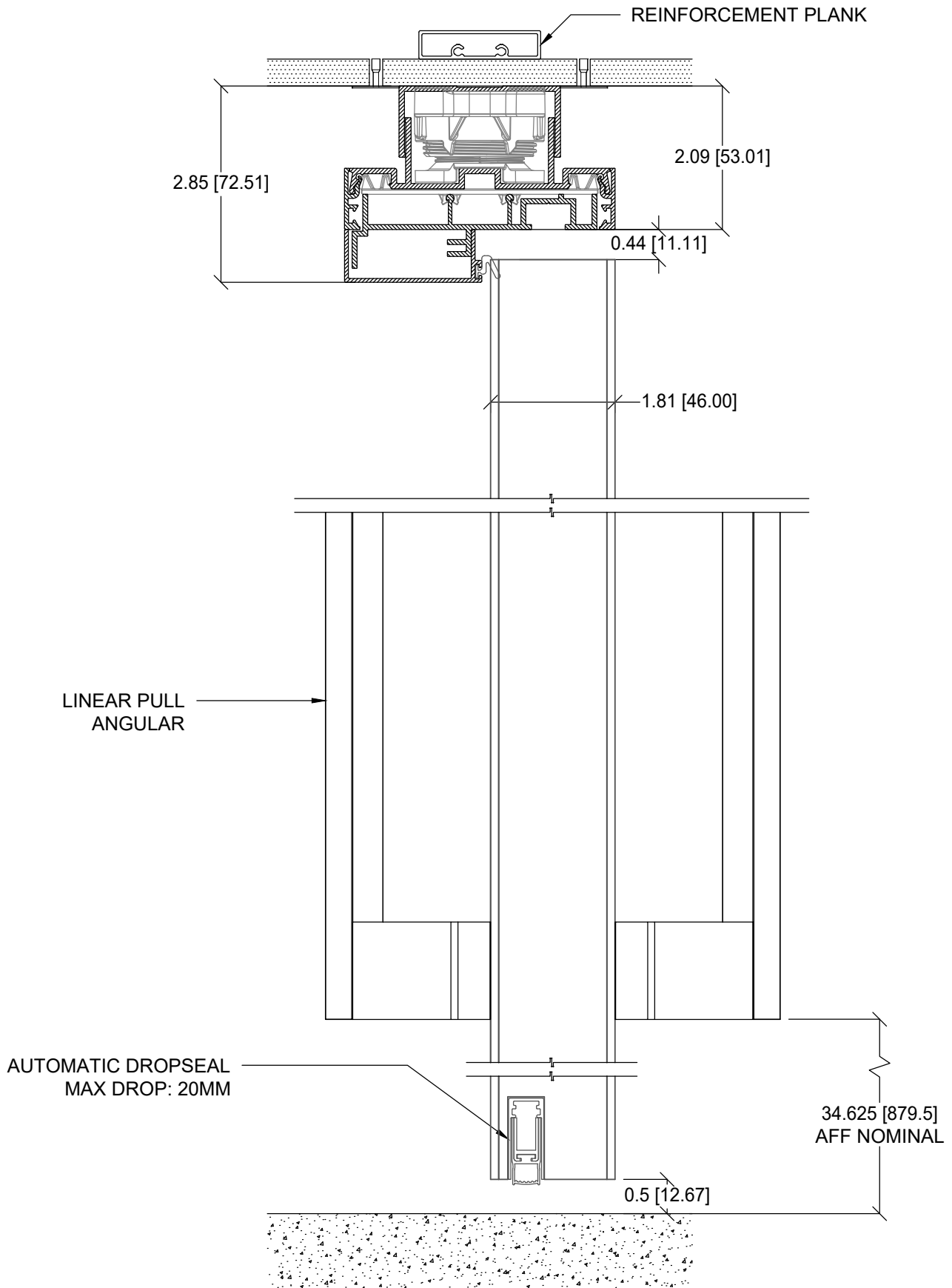
FOCUS - SWING DOOR DETAILS

MODIFIED	September 22, 2025	UNIT	INCH	SCALE	1:8
----------	--------------------	------	------	-------	-----

THIS DRAWING IS THE PROPERTY OF TEKNION LIMITED AND IS SUBJECT TO RETURN UPON DEMAND. IT MUST NOT BE SUBMITTED TO ANY OUTSIDE PARTIES FOR EXAMINATION WITHOUT TEKNION CONSENT. THIS DRAWING MUST NOT BE SCALED OR USED FOR CONSTRUCTION PURPOSES

teknion

Publish Date: Jan 14, 2026



5/V SOLID HINGED DOOR LEAF SINGLE
B02 WITH JAMB AND LINEAR PULL ANGULAR

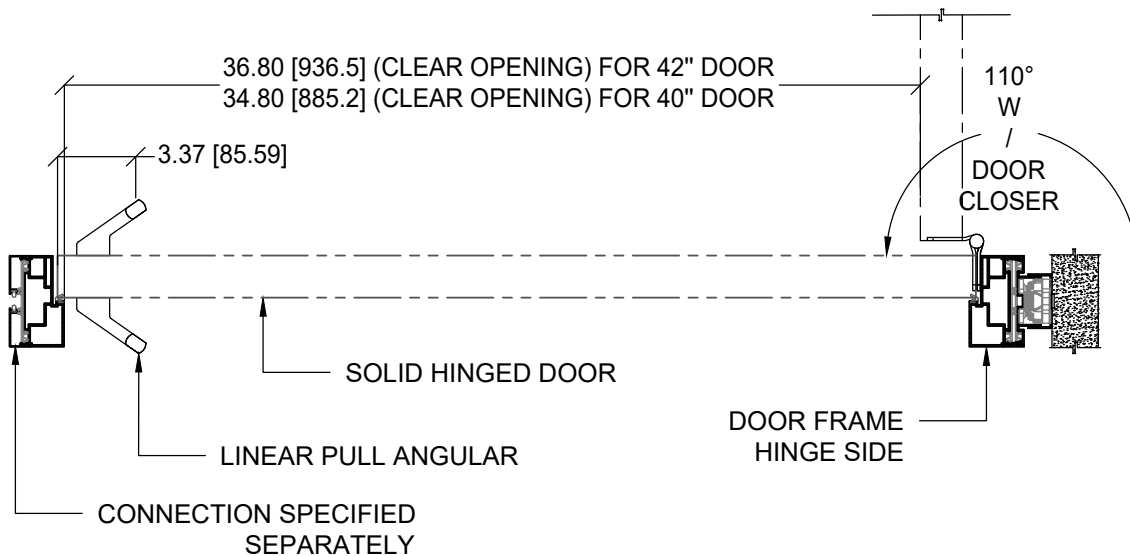
FOCUS - SWING DOOR DETAILS

MODIFIED	September 22, 2025	UNIT	INCH	SCALE	1:2
----------	--------------------	------	------	-------	-----

THIS DRAWING IS THE PROPERTY OF TEKNION LIMITED AND IS SUBJECT TO RETURN UPON DEMAND. IT MUST NOT BE SUBMITTED TO ANY OUTSIDE PARTIES FOR EXAMINATION WITHOUT TEKNION CONSENT. THIS DRAWING MUST NOT BE SCALED OR USED FOR CONSTRUCTION PURPOSES

teknion

Publish Date: Jan 14, 2026



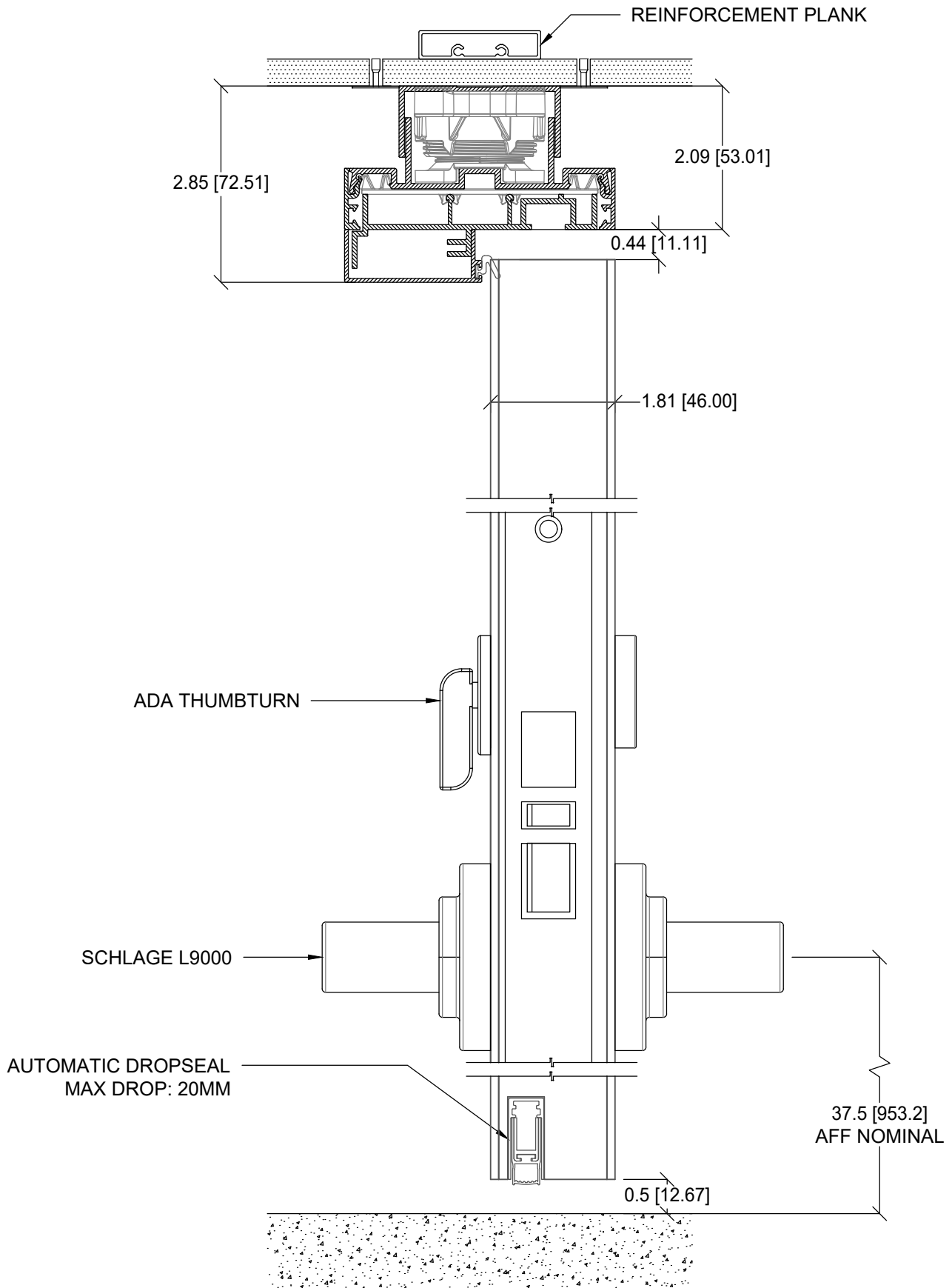
5/H SOLID HINGED DOOR LEAF SINGLE
 B02 WITH JAMB AND LINEAR PULL ANGULAR

FOCUS - SWING DOOR DETAILS

MODIFIED	September 22, 2025	UNIT	INCH	SCALE	1:8
----------	--------------------	------	------	-------	-----

THIS DRAWING IS THE PROPERTY OF TEKNION LIMITED AND IS SUBJECT TO RETURN UPON DEMAND. IT MUST NOT BE SUBMITTED TO ANY OUTSIDE PARTIES FOR EXAMINATION WITHOUT TEKNION CONSENT. THIS DRAWING MUST NOT BE SCALED OR USED FOR CONSTRUCTION PURPOSES





6/V SOLID HINGED DOOR LEAF SINGLE
 B02 WITH JAMB AND MORTISE LOCK L SERIES

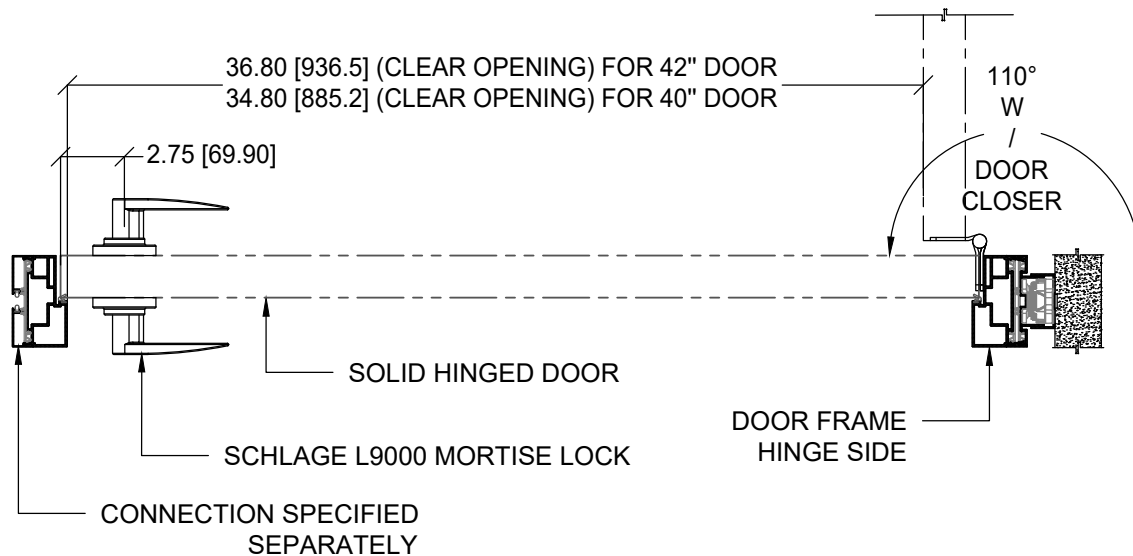
FOCUS - SWING DOOR DETAILS

MODIFIED	September 22, 2025	UNIT	INCH	SCALE	1:2
----------	--------------------	------	------	-------	-----

THIS DRAWING IS THE PROPERTY OF TEKNION LIMITED AND IS SUBJECT TO RETURN UPON DEMAND. IT MUST NOT BE SUBMITTED TO ANY OUTSIDE PARTIES FOR EXAMINATION WITHOUT TEKNION CONSENT. THIS DRAWING MUST NOT BE SCALED OR USED FOR CONSTRUCTION PURPOSES

teknion

Publish Date: Jan 14, 2026

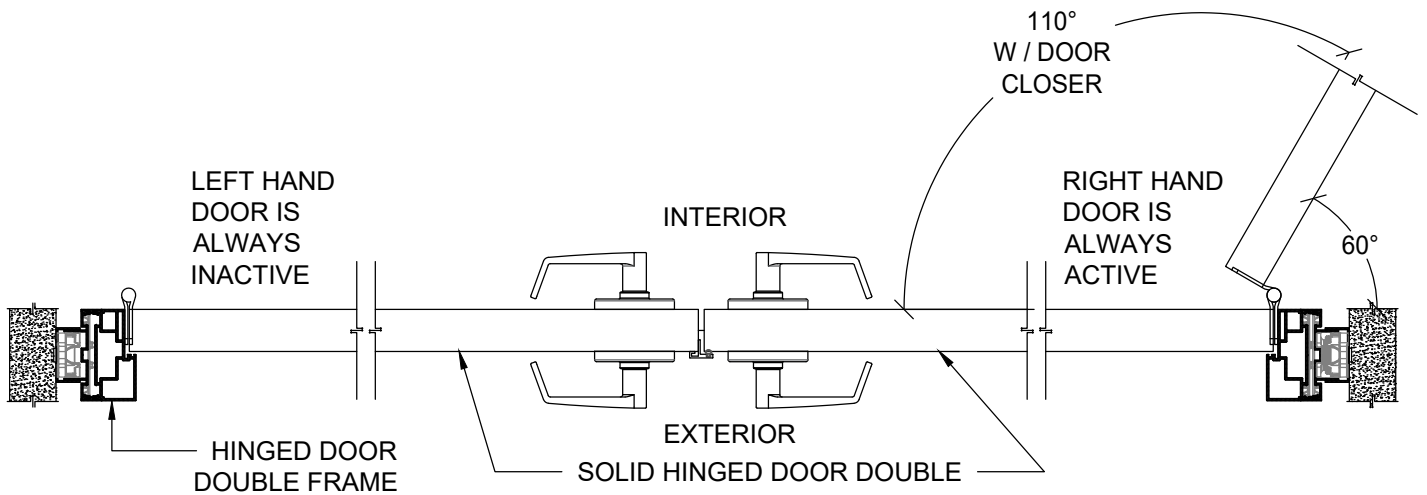
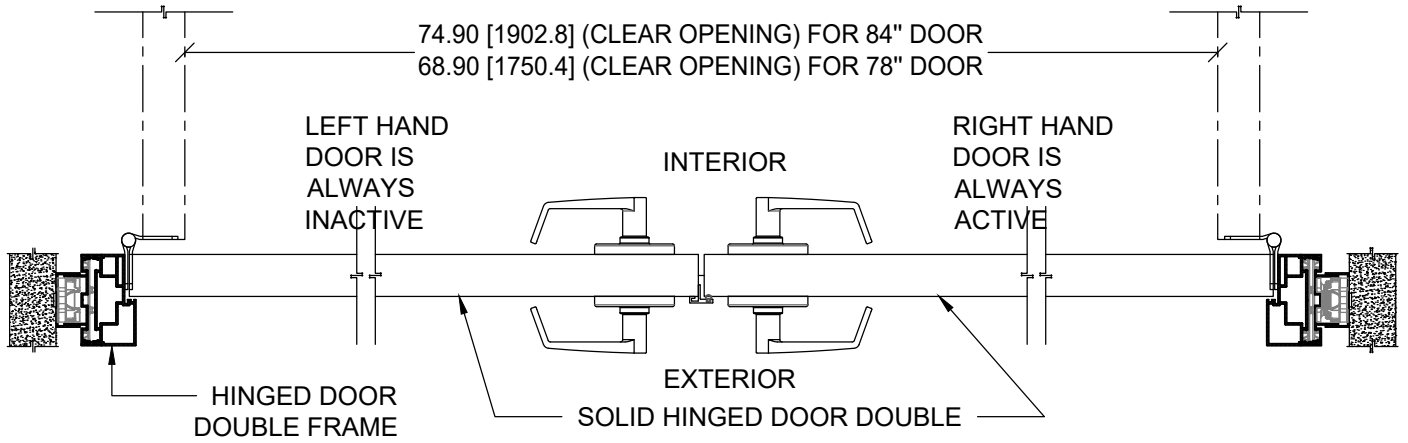


5/H SOLID HINGED DOOR LEAF SINGLE
 B02 WITH JAMB AND LINEAR PULL ANGULAR

FOCUS - SWING DOOR DETAILS

MODIFIED	September 22, 2025	UNIT	INCH	SCALE	1:8
----------	--------------------	------	------	-------	-----

THIS DRAWING IS THE PROPERTY OF TEKNION LIMITED AND IS SUBJECT TO RETURN UPON DEMAND. IT MUST NOT BE SUBMITTED TO ANY OUTSIDE PARTIES FOR EXAMINATION WITHOUT TEKNION CONSENT. THIS DRAWING MUST NOT BE SCALED OR USED FOR CONSTRUCTION PURPOSES



1/H SOLID HINGED DOOR LEAF DOUBLE
B03 WITH JAMB AND CYLINDRICAL LOCK ALX/ND

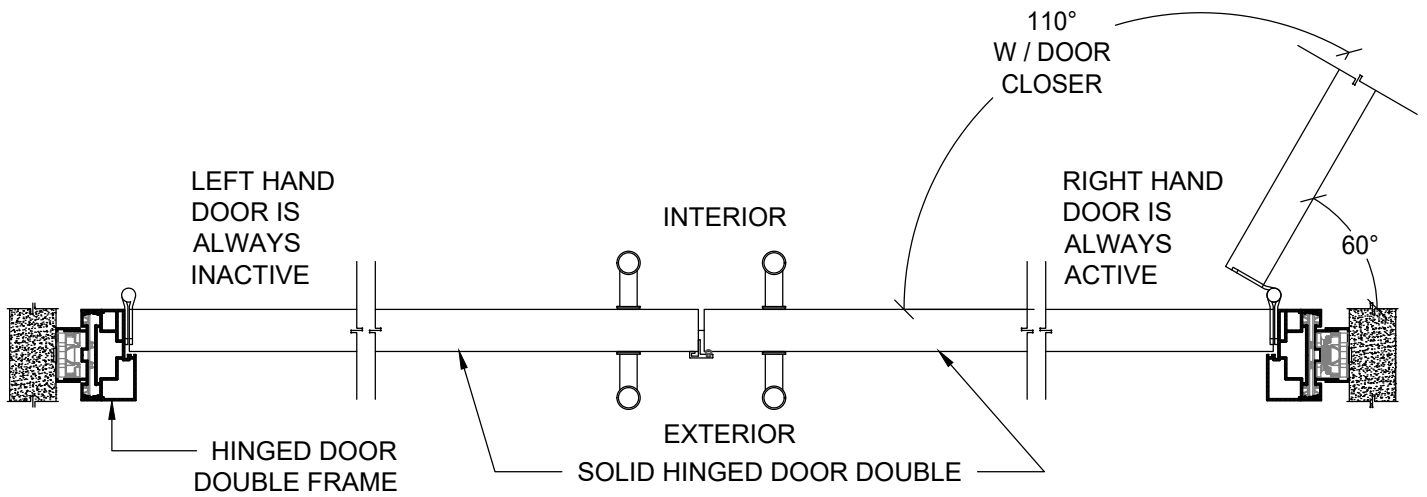
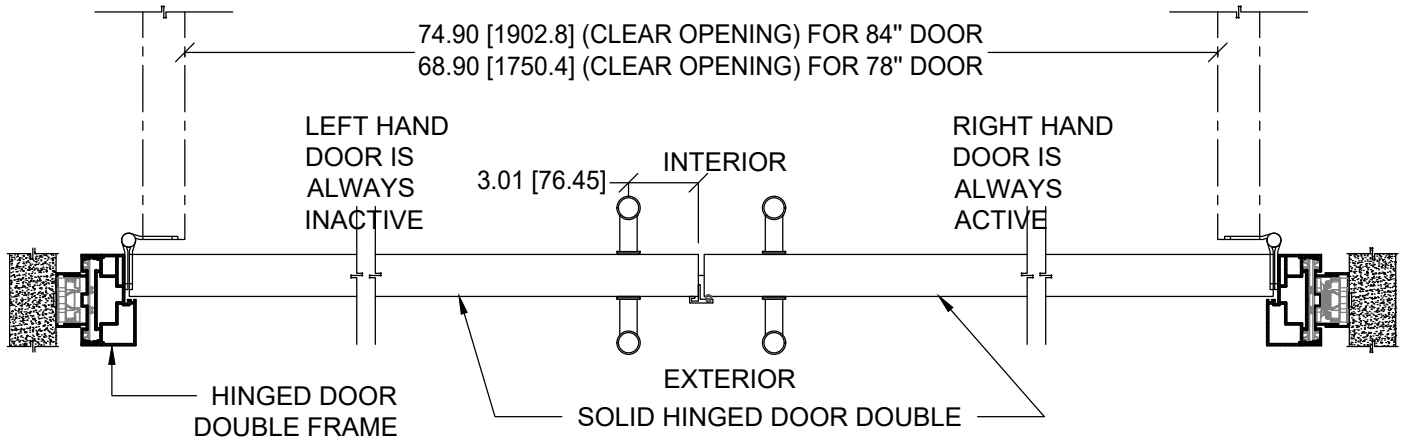
FOCUS - SWING DOOR DETAILS

MODIFIED September 22, 2025 UNIT INCH SCALE 1:8

THIS DRAWING IS THE PROPERTY OF TEKNION LIMITED AND IS SUBJECT TO RETURN UPON DEMAND. IT MUST NOT BE SUBMITTED TO ANY OUTSIDE PARTIES FOR EXAMINATION WITHOUT TEKNION CONSENT. THIS DRAWING MUST NOT BE SCALED OR USED FOR CONSTRUCTION PURPOSES

teknion

Publish Date: Jan 14, 2026



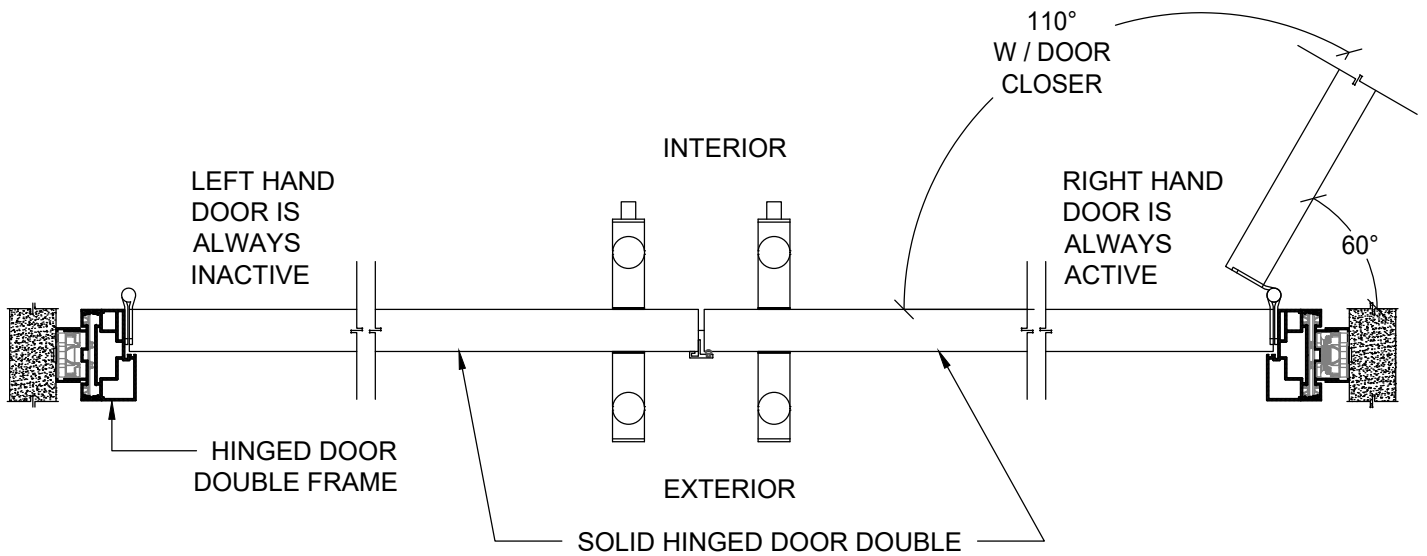
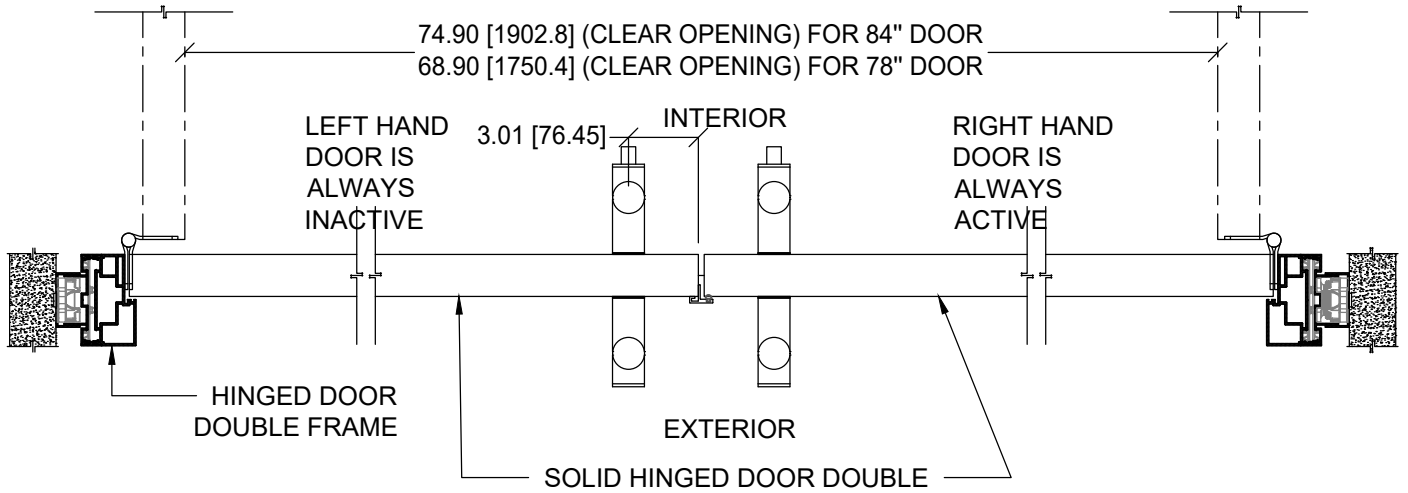
2/H SOLID HINGED DOOR LEAF DOUBLE
 B03 WITH JAMB AND CEILING PULL NON LOCKING

FOCUS - SWING DOOR DETAILS

MODIFIED September 22, 2025 UNIT INCH SCALE 1:8

THIS DRAWING IS THE PROPERTY OF TEKNION LIMITED AND IS SUBJECT TO RETURN UPON DEMAND. IT MUST NOT BE SUBMITTED TO ANY OUTSIDE PARTIES FOR EXAMINATION WITHOUT TEKNION CONSENT. THIS DRAWING MUST NOT BE SCALED OR USED FOR CONSTRUCTION PURPOSES





3/H
 B03

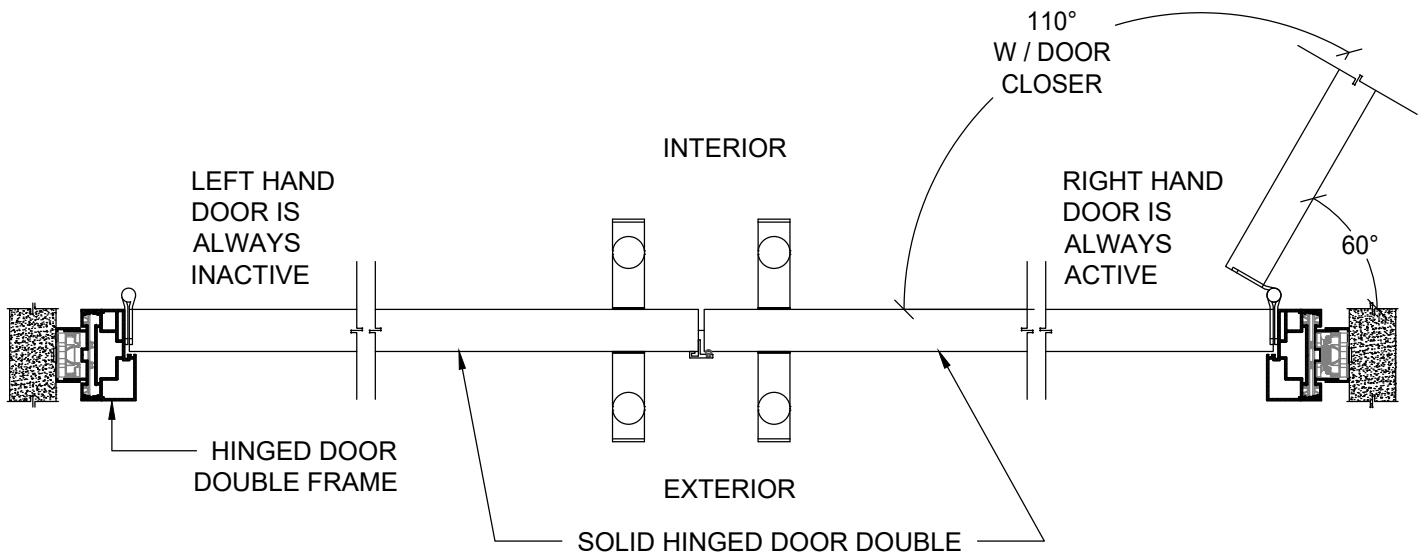
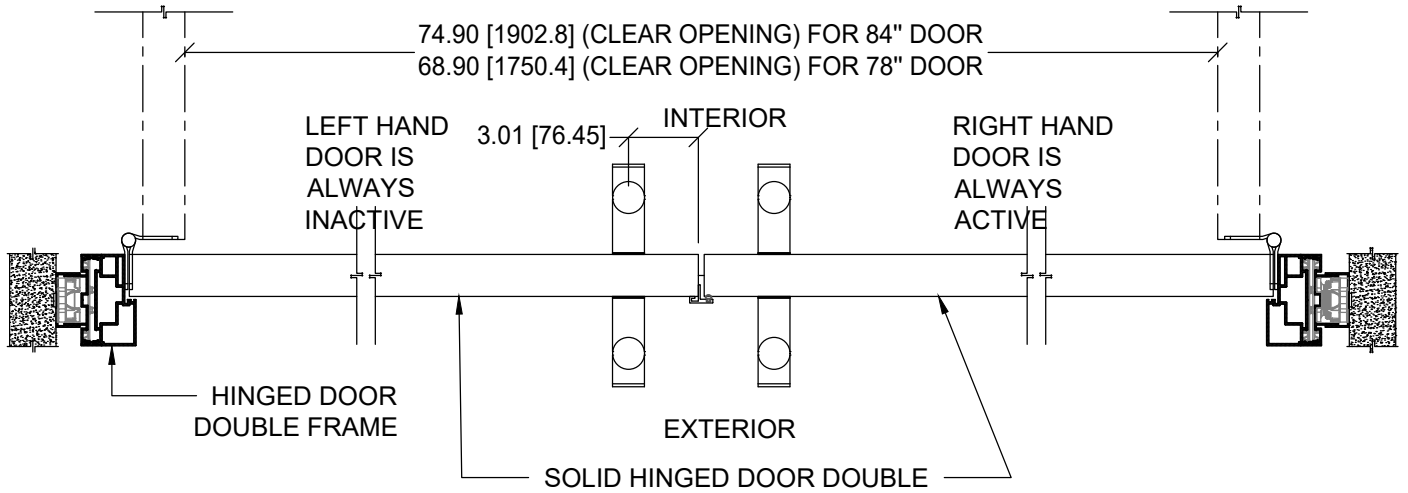
SOLID HINGED DOOR LEAF DOUBLE
 WITH JAMB AND FLOOR PULL LOCKING

FOCUS - SWING DOOR DETAILS

MODIFIED September 22, 2025 UNIT INCH SCALE 1:8

THIS DRAWING IS THE PROPERTY OF TEKNION LIMITED AND IS SUBJECT TO RETURN UPON DEMAND. IT MUST NOT BE SUBMITTED TO ANY OUTSIDE PARTIES FOR EXAMINATION WITHOUT TEKNION CONSENT. THIS DRAWING MUST NOT BE SCALED OR USED FOR CONSTRUCTION PURPOSES





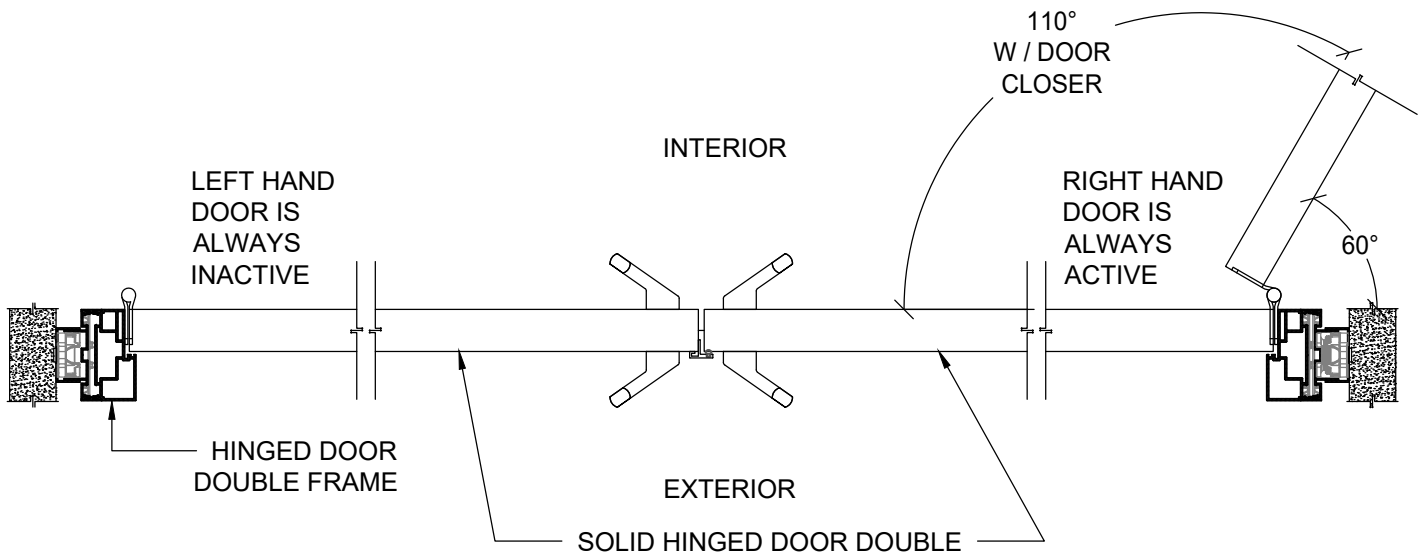
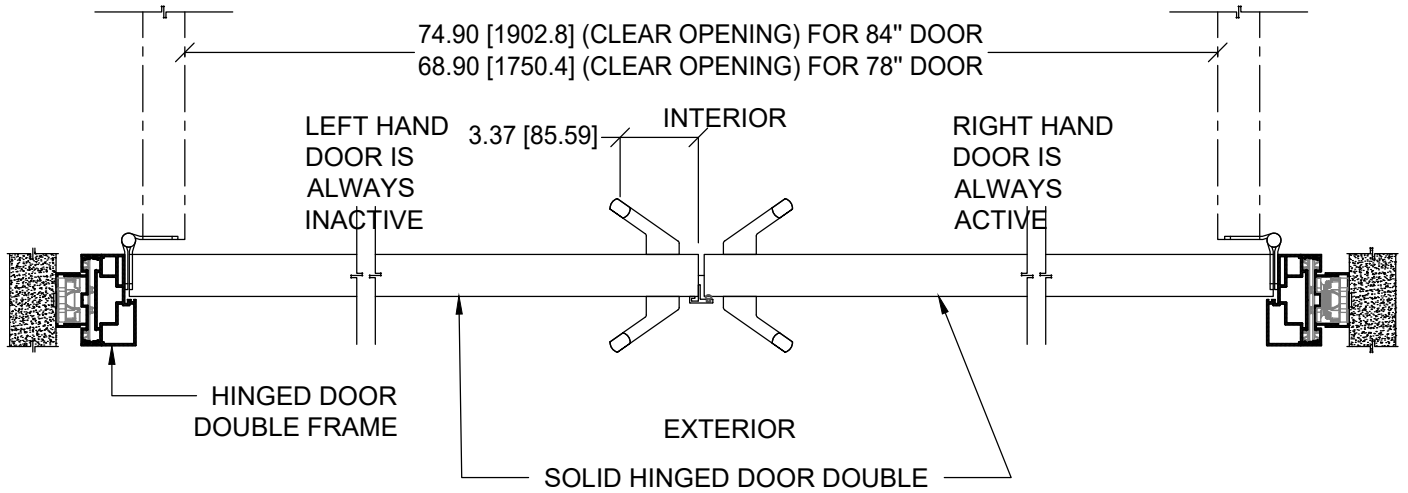
4/H SOLID HINGED DOOR LEAF DOUBLE
 B03 WITH JAMB AND FLOOR PULL NON LOCKING

FOCUS - SWING DOOR DETAILS

MODIFIED September 22, 2025 UNIT INCH SCALE 1:8

THIS DRAWING IS THE PROPERTY OF TEKNION LIMITED AND IS SUBJECT TO RETURN UPON DEMAND. IT MUST NOT BE SUBMITTED TO ANY OUTSIDE PARTIES FOR EXAMINATION WITHOUT TEKNION CONSENT. THIS DRAWING MUST NOT BE SCALED OR USED FOR CONSTRUCTION PURPOSES





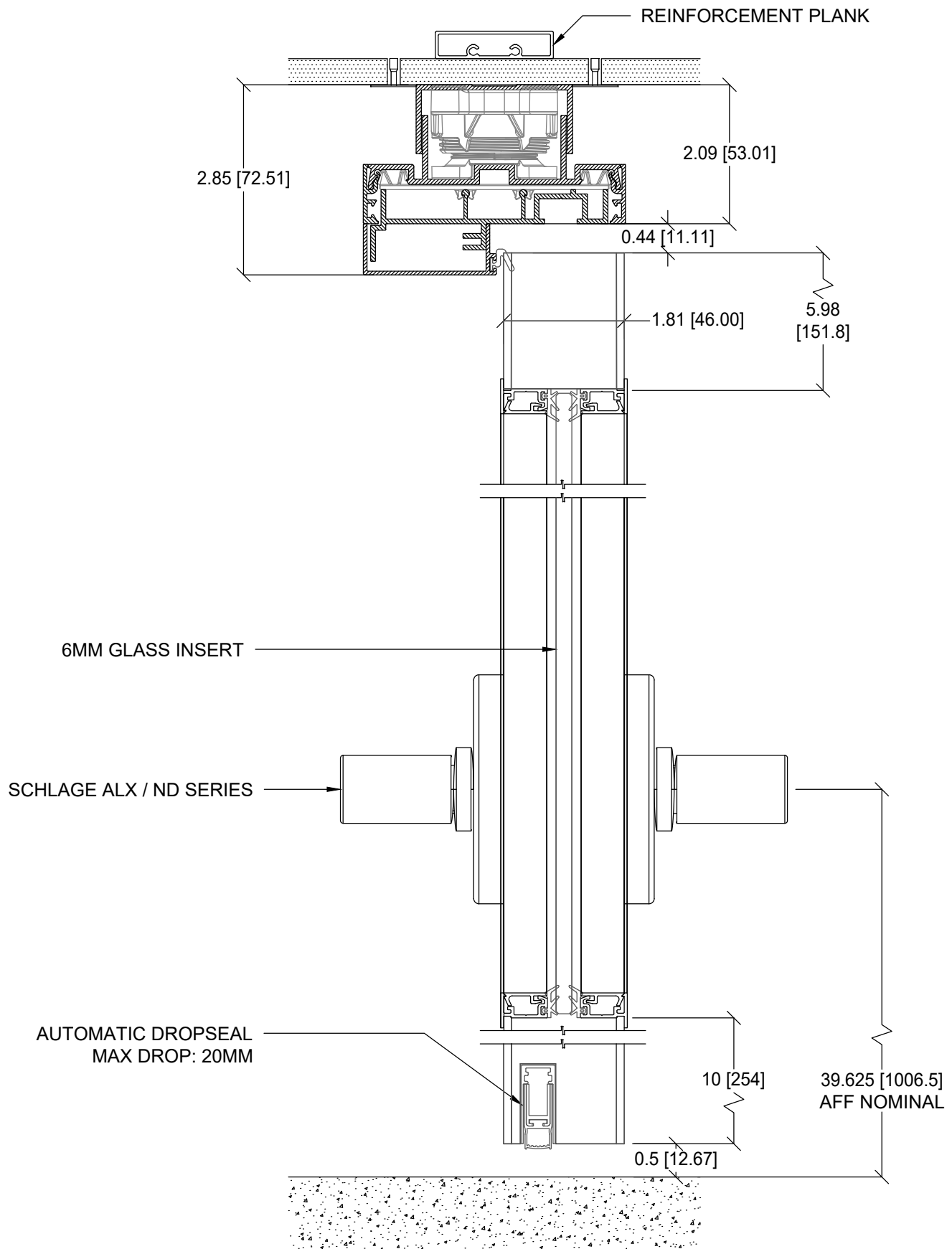
5/H SOLID HINGED DOOR LEAF DOUBLE
B03 WITH JAMB AND LINEAR PULL

FOCUS - SWING DOOR DETAILS

MODIFIED September 22, 2025 UNIT INCH SCALE 1:8

THIS DRAWING IS THE PROPERTY OF TEKNION LIMITED AND IS SUBJECT TO RETURN UPON DEMAND. IT MUST NOT BE SUBMITTED TO ANY OUTSIDE PARTIES FOR EXAMINATION WITHOUT TEKNION CONSENT. THIS DRAWING MUST NOT BE SCALED OR USED FOR CONSTRUCTION PURPOSES





1/V
B04

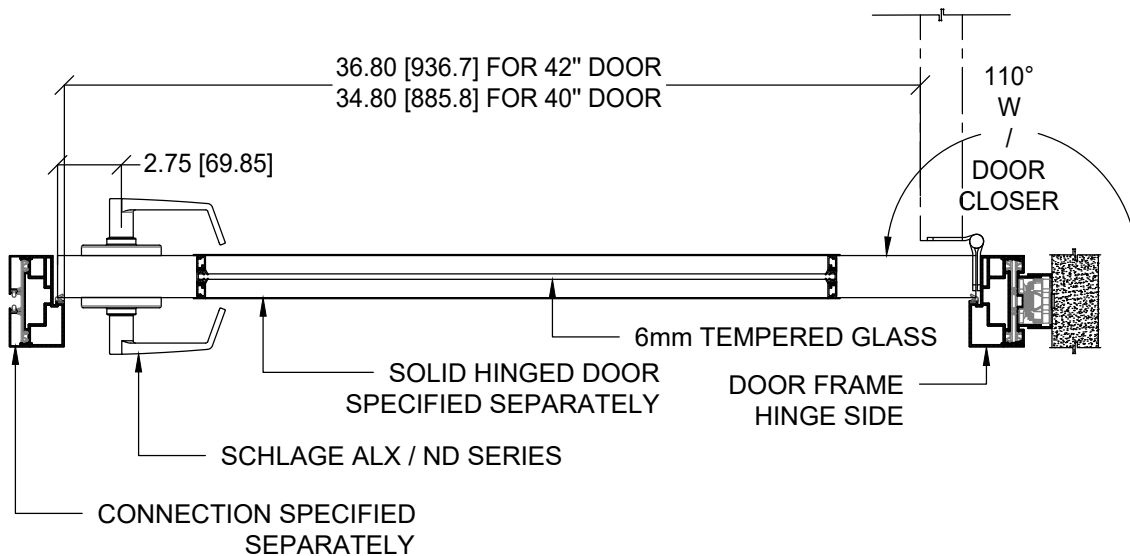
SOLID HINGED DOOR LEAF WITH GLASS INSERT SINGLE
WITH JAMB AND ALX / ND SERIES

FOCUS - SWING DOOR DETAILS

MODIFIED	September 22, 2025	UNIT	INCH	SCALE	1:2
----------	--------------------	------	------	-------	-----

THIS DRAWING IS THE PROPERTY OF TEKNION LIMITED AND IS SUBJECT TO RETURN UPON DEMAND. IT MUST NOT BE SUBMITTED TO ANY OUTSIDE PARTIES FOR EXAMINATION WITHOUT TEKNION CONSENT. THIS DRAWING MUST NOT BE SCALED OR USED FOR CONSTRUCTION PURPOSES





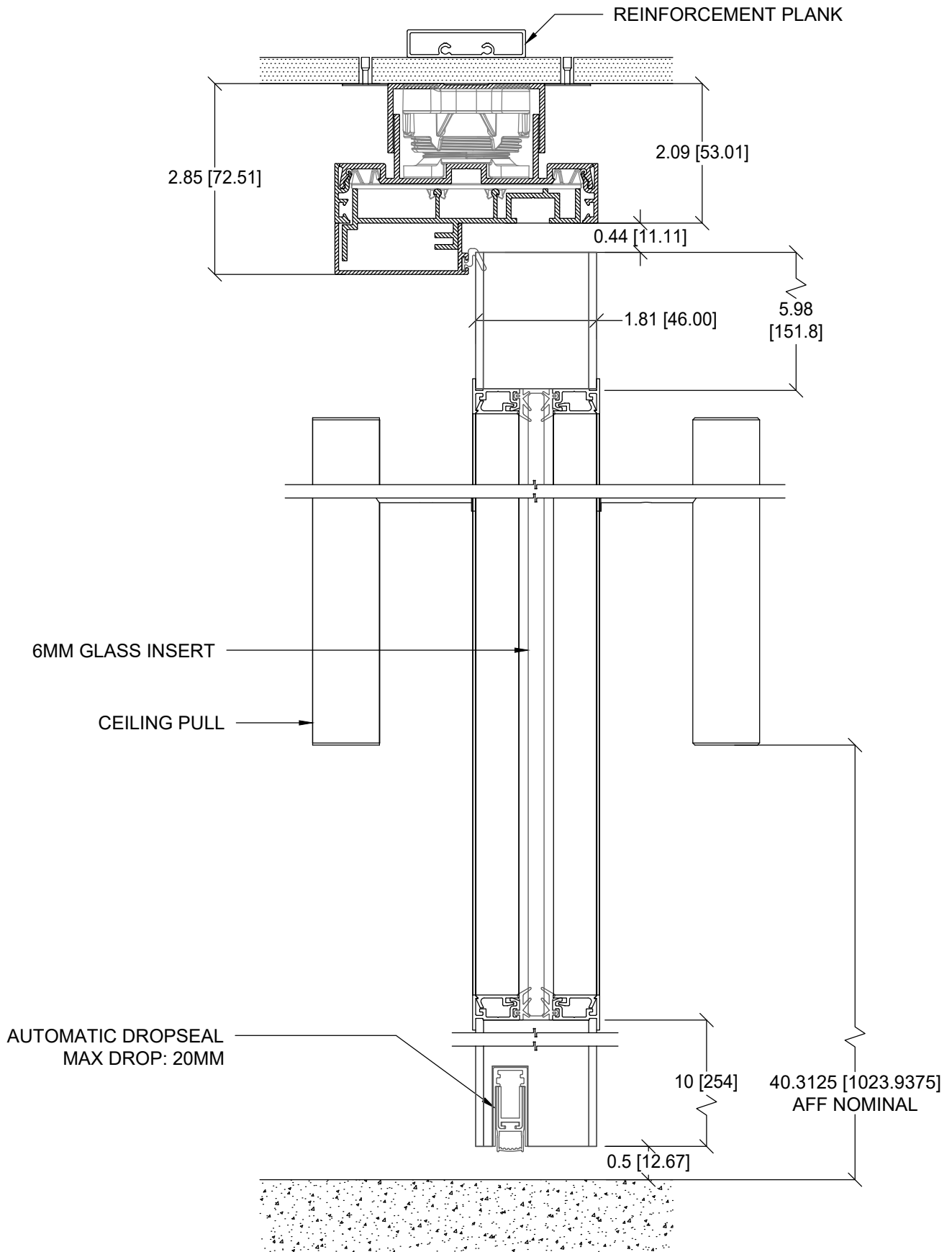
1/H
B04

SOLID HINGED DOOR LEAF WITH GLASS INSERT SINGLE
WITH JAMB AND ALX / ND SERIES

FOCUS - SWING DOOR DETAILS

MODIFIED	September 22, 2025	UNIT	INCH	SCALE	1:8
----------	--------------------	------	------	-------	-----

THIS DRAWING IS THE PROPERTY OF TEKNION LIMITED AND IS SUBJECT TO RETURN UPON DEMAND. IT MUST NOT BE SUBMITTED TO ANY OUTSIDE PARTIES FOR EXAMINATION WITHOUT TEKNION CONSENT. THIS DRAWING MUST NOT BE SCALED OR USED FOR CONSTRUCTION PURPOSES



2/V
B04

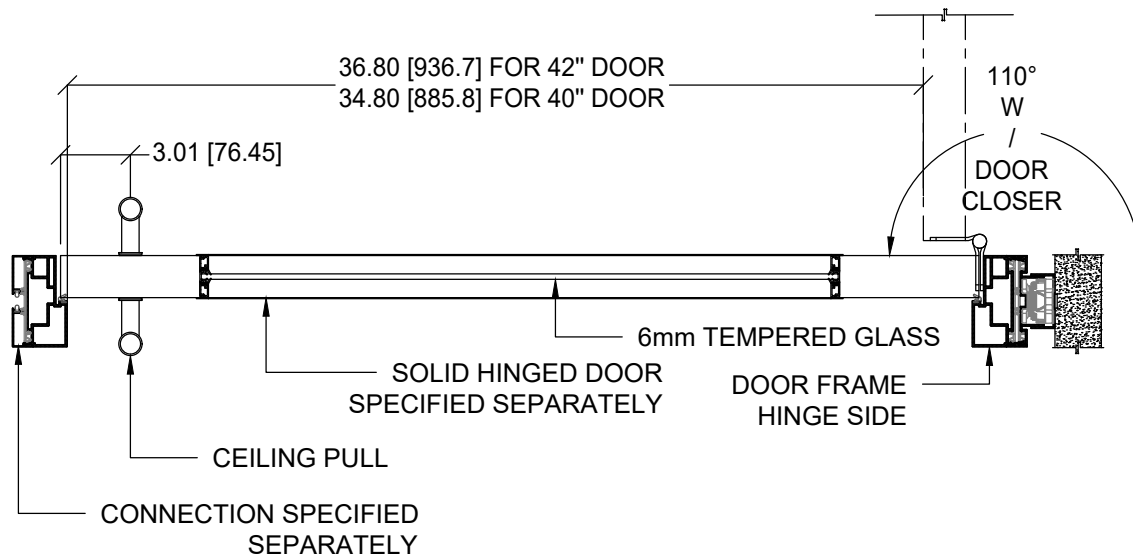
SOLID HINGED DOOR LEAF WITH GLASS INSERT SINGLE
WITH JAMB AND CEILING PULL

FOCUS - SWING DOOR DETAILS

MODIFIED	September 22, 2025	UNIT	INCH	SCALE	1:2
----------	--------------------	------	------	-------	-----

THIS DRAWING IS THE PROPERTY OF TEKNION LIMITED AND IS SUBJECT TO RETURN UPON DEMAND. IT MUST NOT BE SUBMITTED TO ANY OUTSIDE PARTIES FOR EXAMINATION WITHOUT TEKNION CONSENT. THIS DRAWING MUST NOT BE SCALED OR USED FOR CONSTRUCTION PURPOSES





2/H

SOLID HINGED DOOR LEAF WITH GLASS INSERT SINGLE

B04

WITH JAMB AND CEILING PULL

FOCUS - SWING DOOR DETAILS

MODIFIED

September 22, 2025

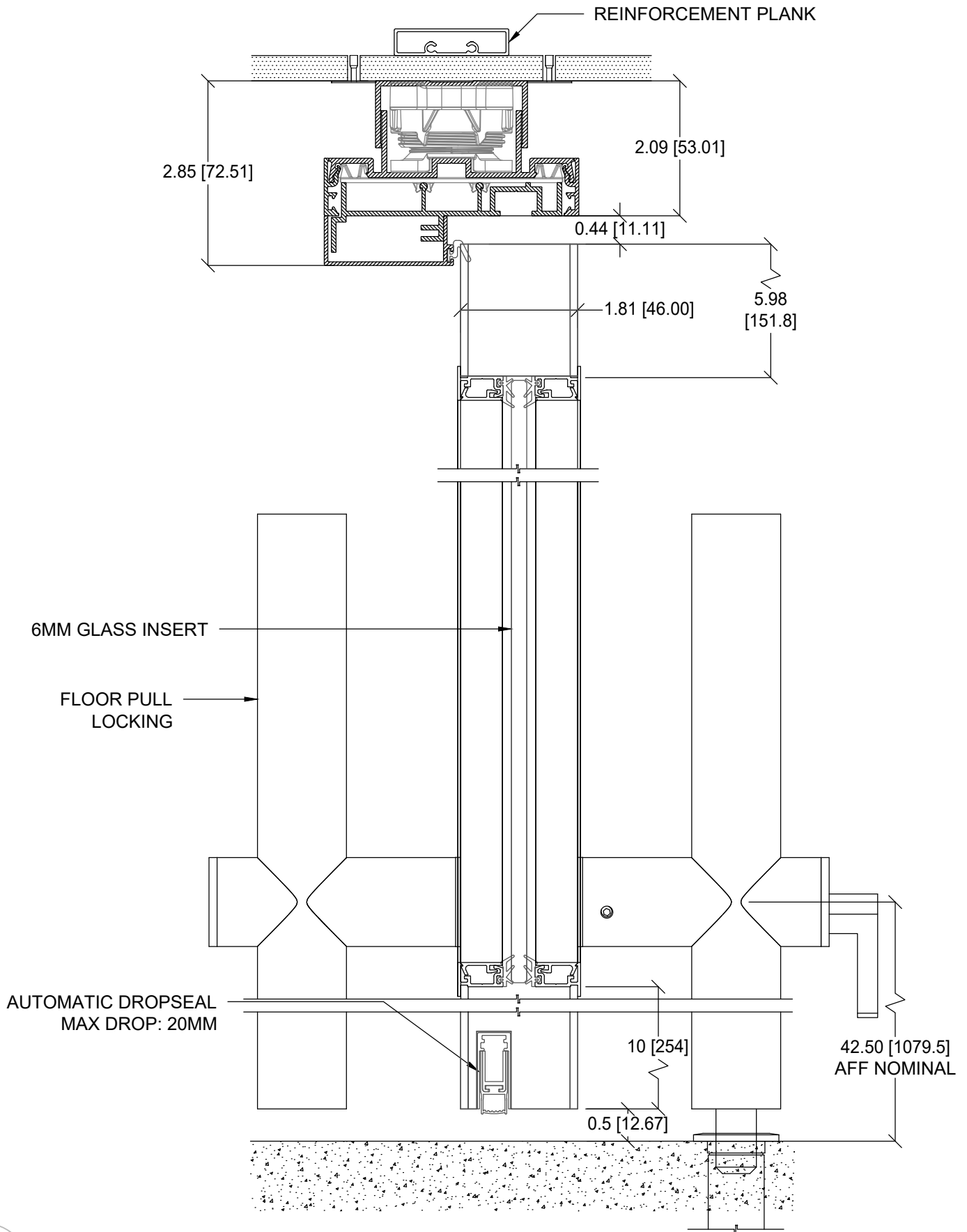
UNIT INCH

SCALE 1:8

THIS DRAWING IS THE PROPERTY OF TEKNION LIMITED AND IS SUBJECT TO RETURN UPON DEMAND. IT MUST NOT BE SUBMITTED TO ANY OUTSIDE PARTIES FOR EXAMINATION WITHOUT TEKNION CONSENT. THIS DRAWING MUST NOT BE SCALED OR USED FOR CONSTRUCTION PURPOSES

teknion

Publish Date: Jan 14, 2026



3/V
B04

SOLID HINGED DOOR LEAF WITH GLASS INSERT SINGLE
WITH JAMB AND FLOOR PULL LOCKING

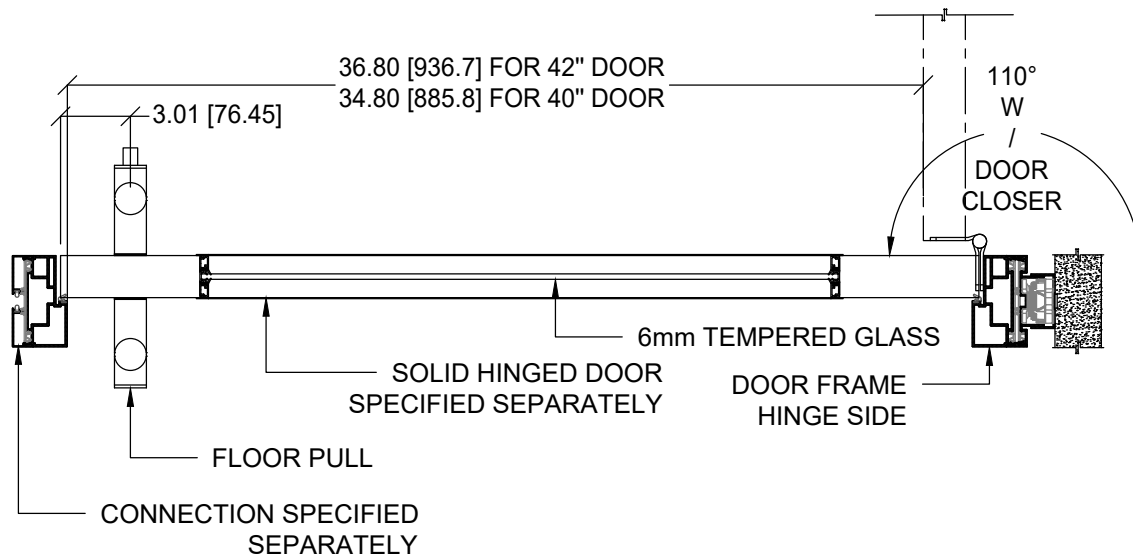
FOCUS - SWING DOOR DETAILS

MODIFIED	September 22, 2025	UNIT	INCH	SCALE	1:2
----------	--------------------	------	------	-------	-----

THIS DRAWING IS THE PROPERTY OF TEKNION LIMITED AND IS SUBJECT TO RETURN UPON DEMAND. IT MUST NOT BE SUBMITTED TO ANY OUTSIDE PARTIES FOR EXAMINATION WITHOUT TEKNION CONSENT. THIS DRAWING MUST NOT BE SCALED OR USED FOR CONSTRUCTION PURPOSES



Publish Date: Jan 14, 2026



3/H

SOLID HINGED DOOR LEAF WITH GLASS INSERT SINGLE

B04

WITH JAMB AND FLOOR PULL LOCKING

FOCUS - SWING DOOR DETAILS

MODIFIED

September 22, 2025

UNIT

INCH

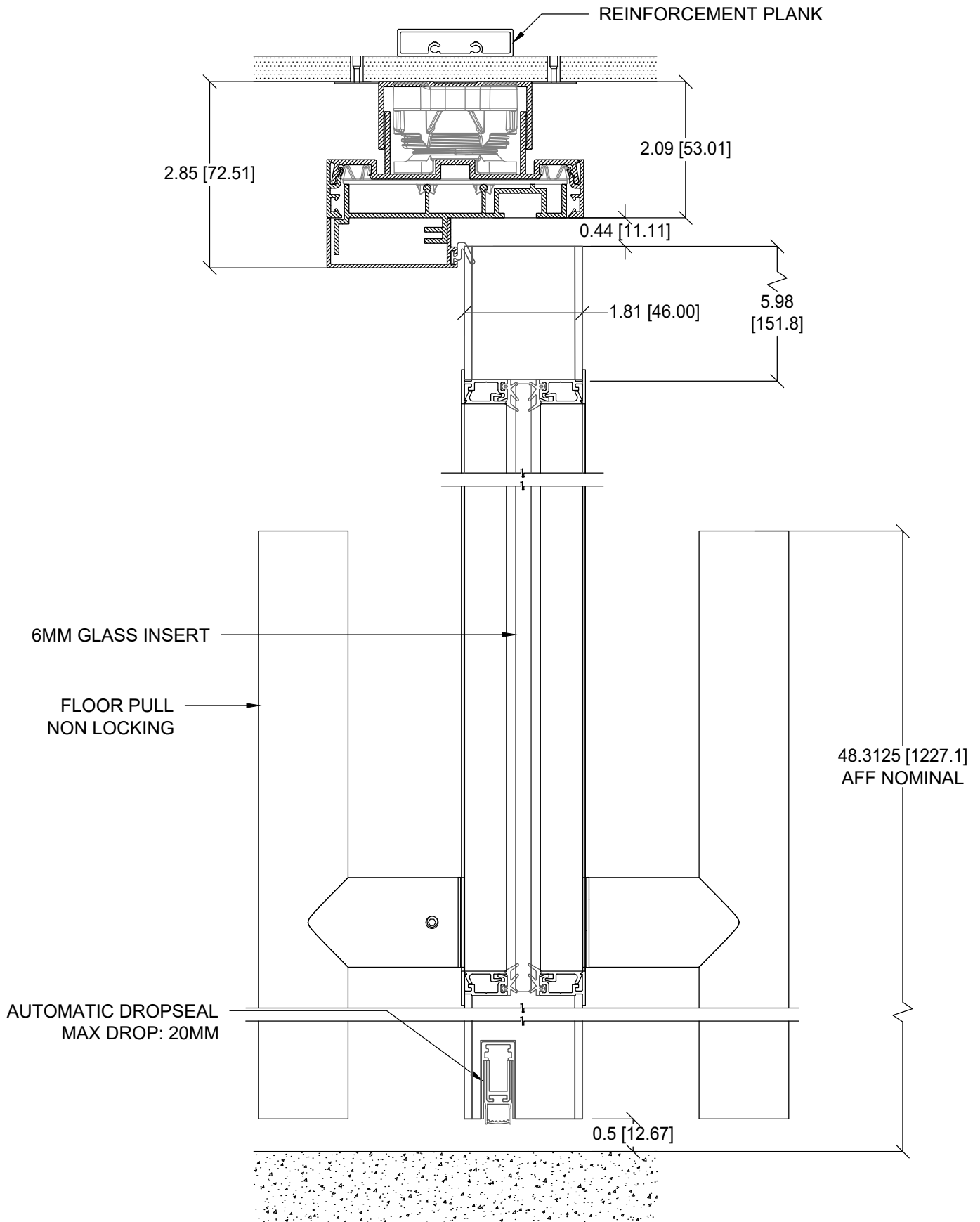
SCALE

1:8

THIS DRAWING IS THE PROPERTY OF TEKNION LIMITED AND IS SUBJECT TO RETURN UPON DEMAND. IT MUST NOT BE SUBMITTED TO ANY OUTSIDE PARTIES FOR EXAMINATION WITHOUT TEKNION CONSENT. THIS DRAWING MUST NOT BE SCALED OR USED FOR CONSTRUCTION PURPOSES

teknion

Publish Date: Jan 14, 2026



4/V
B04

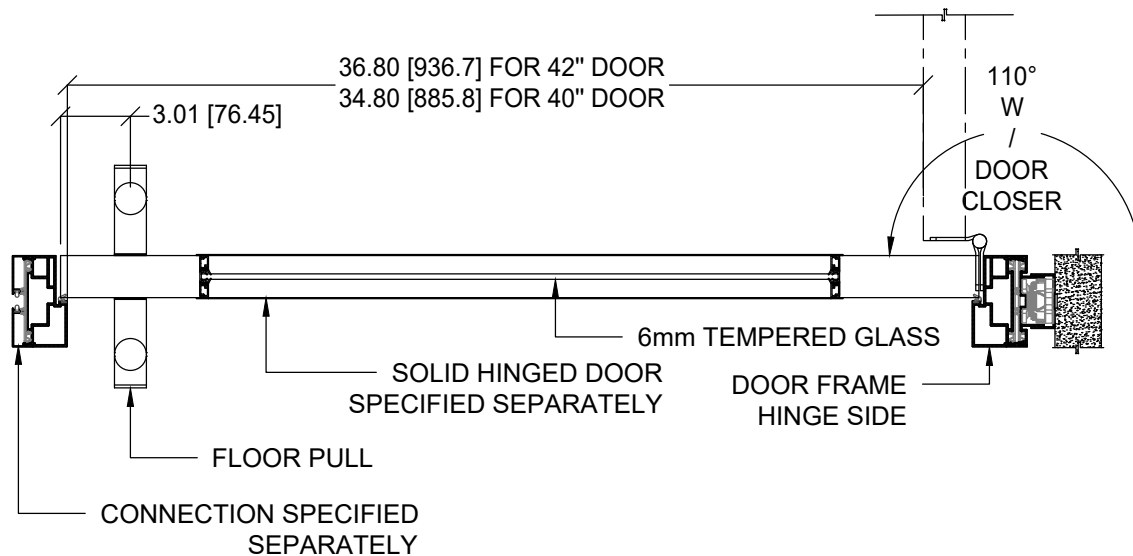
SOLID HINGED DOOR LEAF WITH GLASS INSERT SINGLE
WITH JAMB AND FLOOR PULL NON LOCKING

FOCUS - SWING DOOR DETAILS

MODIFIED	September 22, 2025	UNIT	INCH	SCALE	1:2
----------	--------------------	------	------	-------	-----

THIS DRAWING IS THE PROPERTY OF TEKNION LIMITED AND IS SUBJECT TO RETURN UPON DEMAND. IT MUST NOT BE SUBMITTED TO ANY OUTSIDE PARTIES FOR EXAMINATION WITHOUT TEKNION CONSENT. THIS DRAWING MUST NOT BE SCALED OR USED FOR CONSTRUCTION PURPOSES





4/H

SOLID HINGED DOOR LEAF WITH GLASS INSERT SINGLE

B04

WITH JAMB AND FLOOR PULL NON LOCKING

FOCUS - SWING DOOR DETAILS

MODIFIED

September 22, 2025

UNIT

INCH

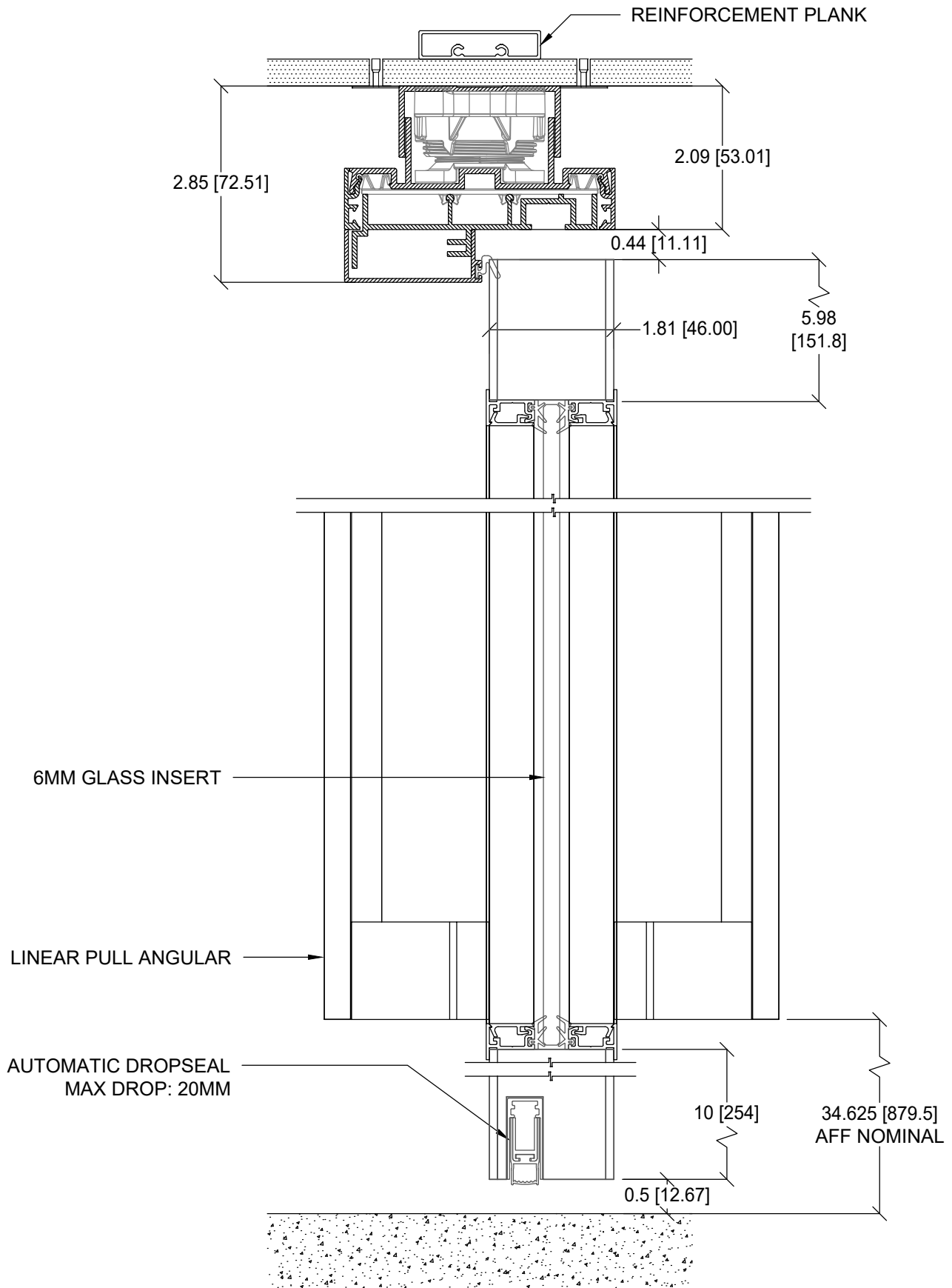
SCALE

1:8

THIS DRAWING IS THE PROPERTY OF TEKNION LIMITED AND IS SUBJECT TO RETURN UPON DEMAND. IT MUST NOT BE SUBMITTED TO ANY OUTSIDE PARTIES FOR EXAMINATION WITHOUT TEKNION CONSENT. THIS DRAWING MUST NOT BE SCALED OR USED FOR CONSTRUCTION PURPOSES

teknion

Publish Date: Jan 14, 2026



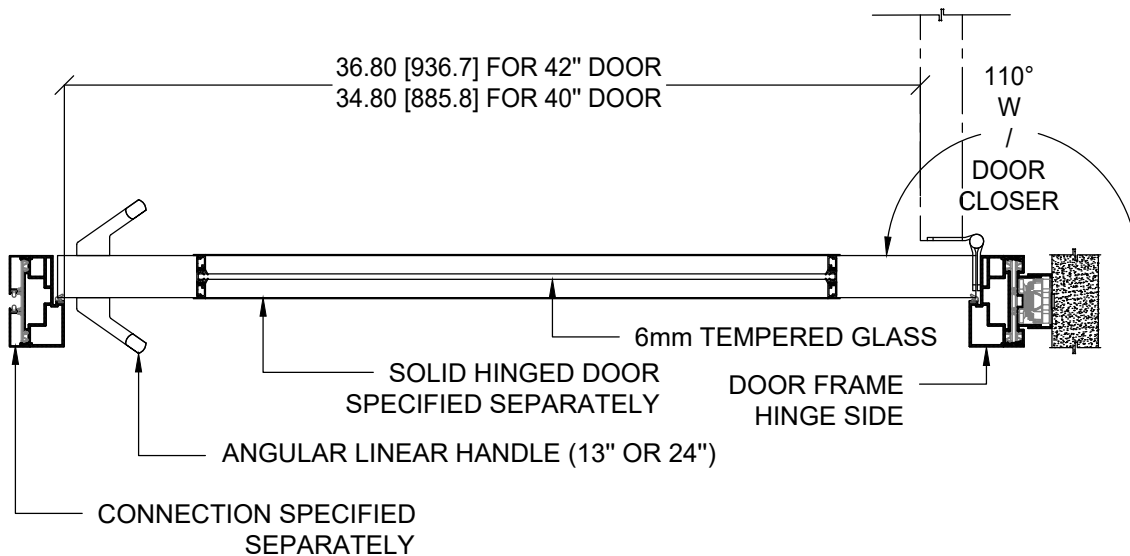
5/V
B02

SOLID HINGED DOOR LEAF WITH GLASS INSERT SINGLE
WITH JAMB AND LINEAR PULL

FOCUS - SWING DOOR DETAILS

MODIFIED	September 22, 2025	UNIT	INCH	SCALE	1:2
----------	--------------------	------	------	-------	-----

THIS DRAWING IS THE PROPERTY OF TEKNION LIMITED AND IS SUBJECT TO RETURN UPON DEMAND. IT MUST NOT BE SUBMITTED TO ANY OUTSIDE PARTIES FOR EXAMINATION WITHOUT TEKNION CONSENT. THIS DRAWING MUST NOT BE SCALED OR USED FOR CONSTRUCTION PURPOSES



5/H SOLID HINGED DOOR LEAF WITH GLASS INSERT SINGLE
 B04 WITH JAMB AND LINEAR PULL

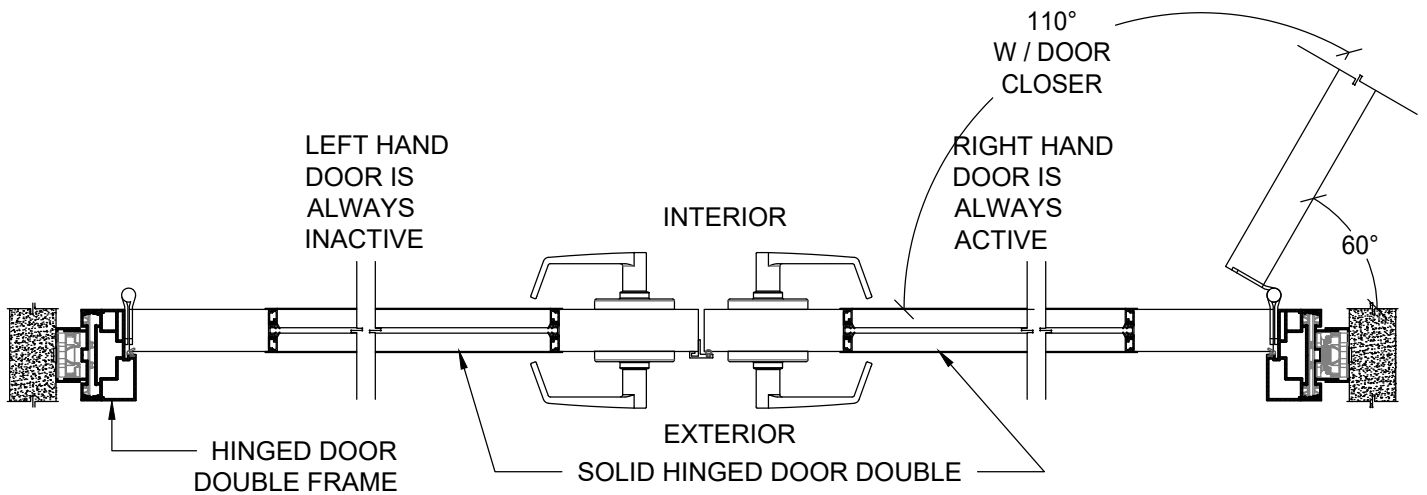
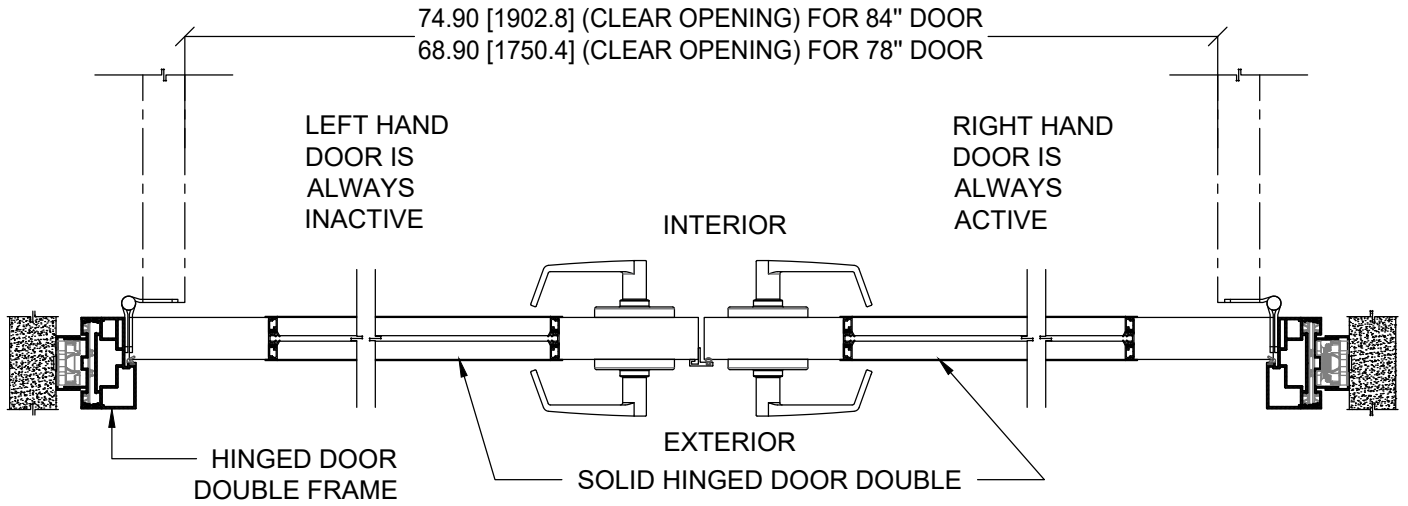
FOCUS - SWING DOOR DETAILS

MODIFIED	September 22, 2025	UNIT	INCH	SCALE	1:8
----------	--------------------	------	------	-------	-----

THIS DRAWING IS THE PROPERTY OF TEKNION LIMITED AND IS SUBJECT TO RETURN UPON DEMAND. IT MUST NOT BE SUBMITTED TO ANY OUTSIDE PARTIES FOR EXAMINATION WITHOUT TEKNION CONSENT. THIS DRAWING MUST NOT BE SCALED OR USED FOR CONSTRUCTION PURPOSES

teknion

Publish Date: Jan 14, 2026



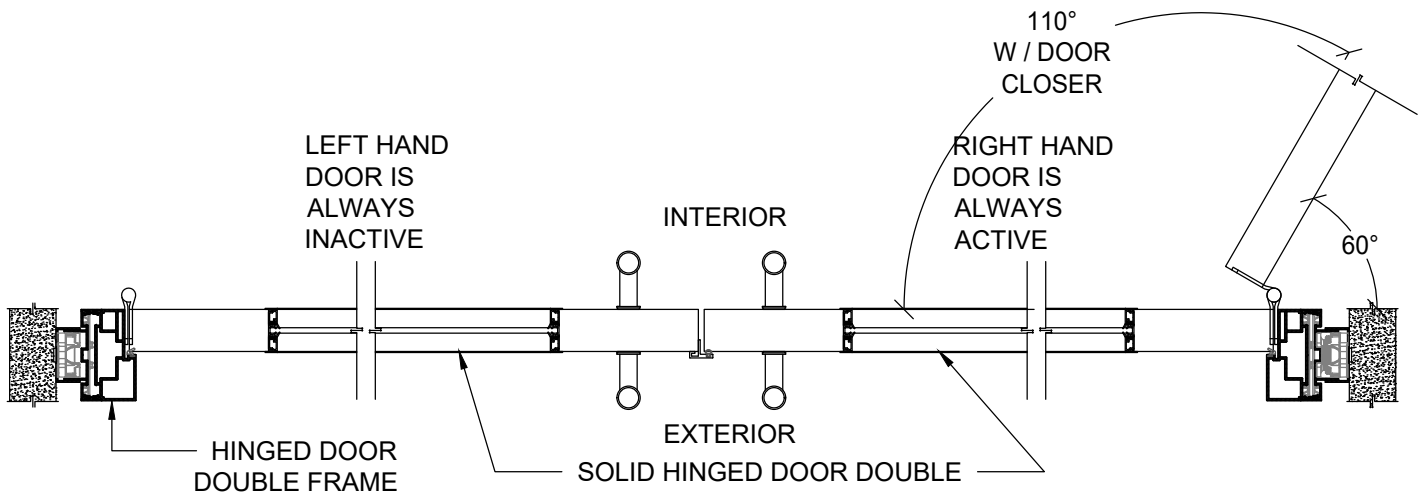
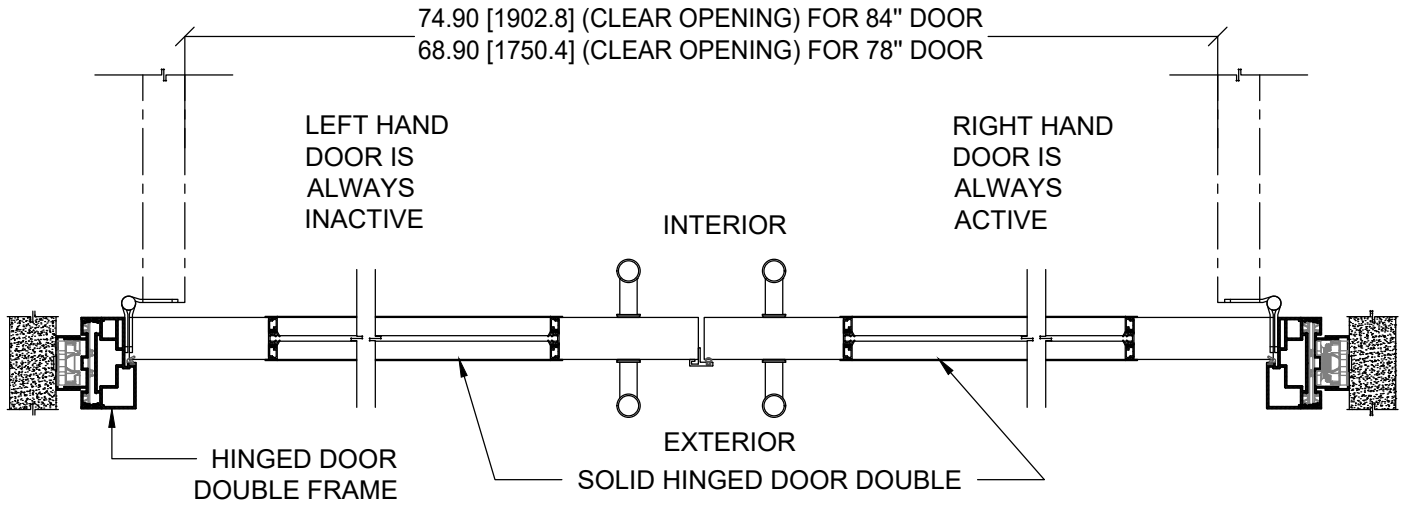
1/H
 B05

SOLID HINGED DOOR LEAF WITH GLASS INSERT DOUBLE
 WITH JAMB AND CYLINDRICAL LOCK ALX/ND

FOCUS - SWING DOOR DETAILS

MODIFIED	September 22, 2025	UNIT	INCH	SCALE	1:8
----------	--------------------	------	------	-------	-----

THIS DRAWING IS THE PROPERTY OF TEKNION LIMITED AND IS SUBJECT TO RETURN UPON DEMAND. IT MUST NOT BE SUBMITTED TO ANY OUTSIDE PARTIES FOR EXAMINATION WITHOUT TEKNION CONSENT. THIS DRAWING MUST NOT BE SCALED OR USED FOR CONSTRUCTION PURPOSES



2/H
 B05

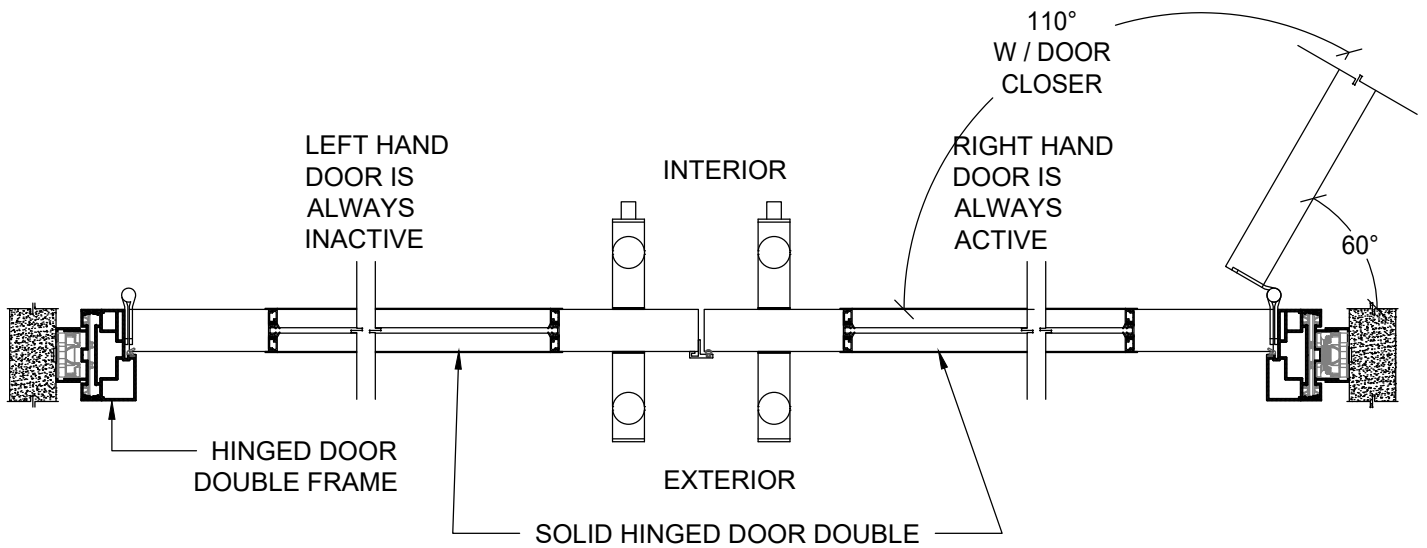
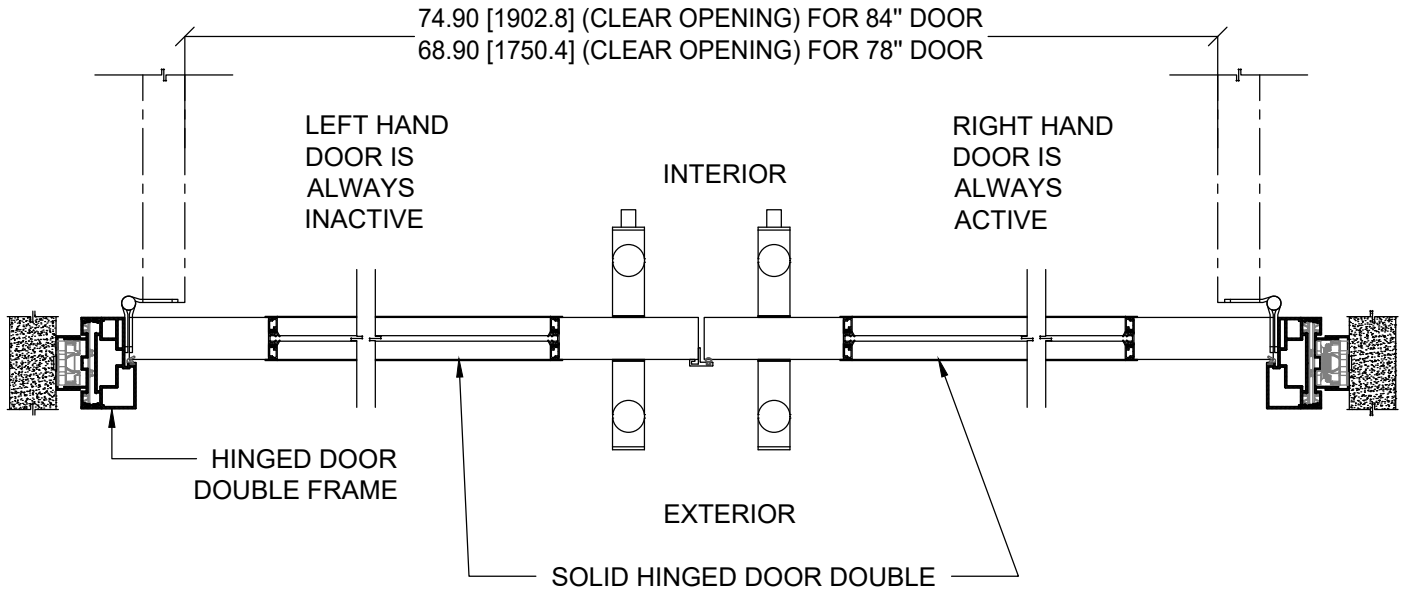
SOLID HINGED DOOR LEAF WITH GLASS INSERT DOUBLE
 WITH JAMB AND CEILING PULL

FOCUS - SWING DOOR DETAILS

MODIFIED	September 22, 2025	UNIT	INCH	SCALE	1:8
----------	--------------------	------	------	-------	-----

THIS DRAWING IS THE PROPERTY OF TEKNION LIMITED AND IS SUBJECT TO RETURN UPON DEMAND. IT MUST NOT BE SUBMITTED TO ANY OUTSIDE PARTIES FOR EXAMINATION WITHOUT TEKNION CONSENT. THIS DRAWING MUST NOT BE SCALED OR USED FOR CONSTRUCTION PURPOSES





3/H
B05

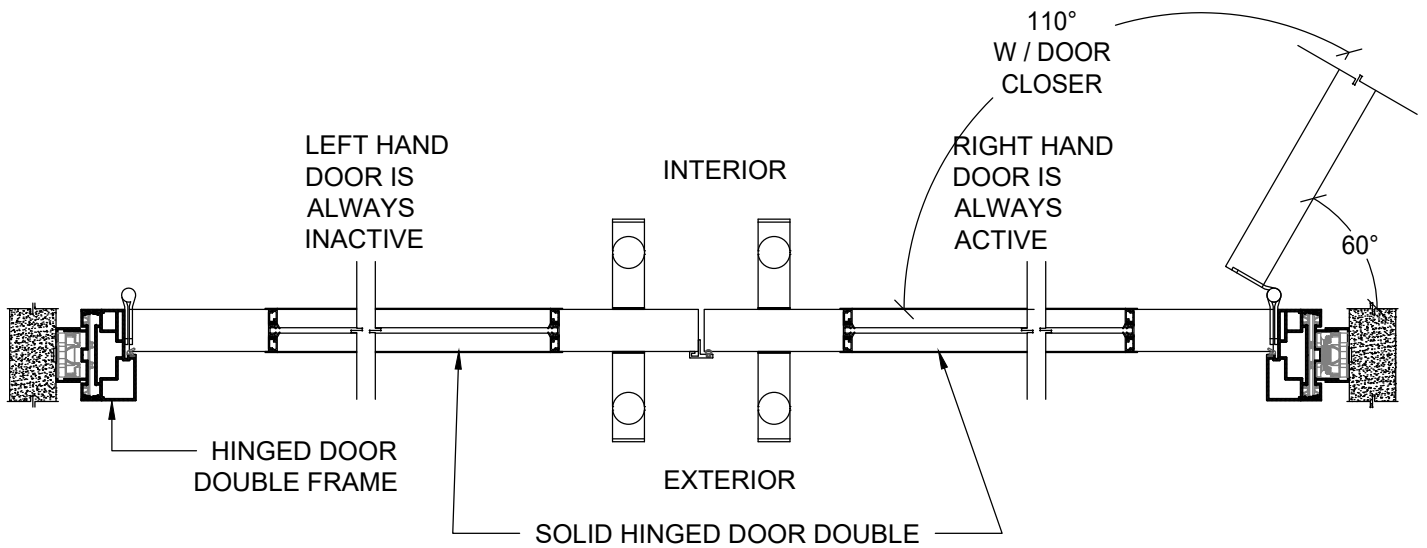
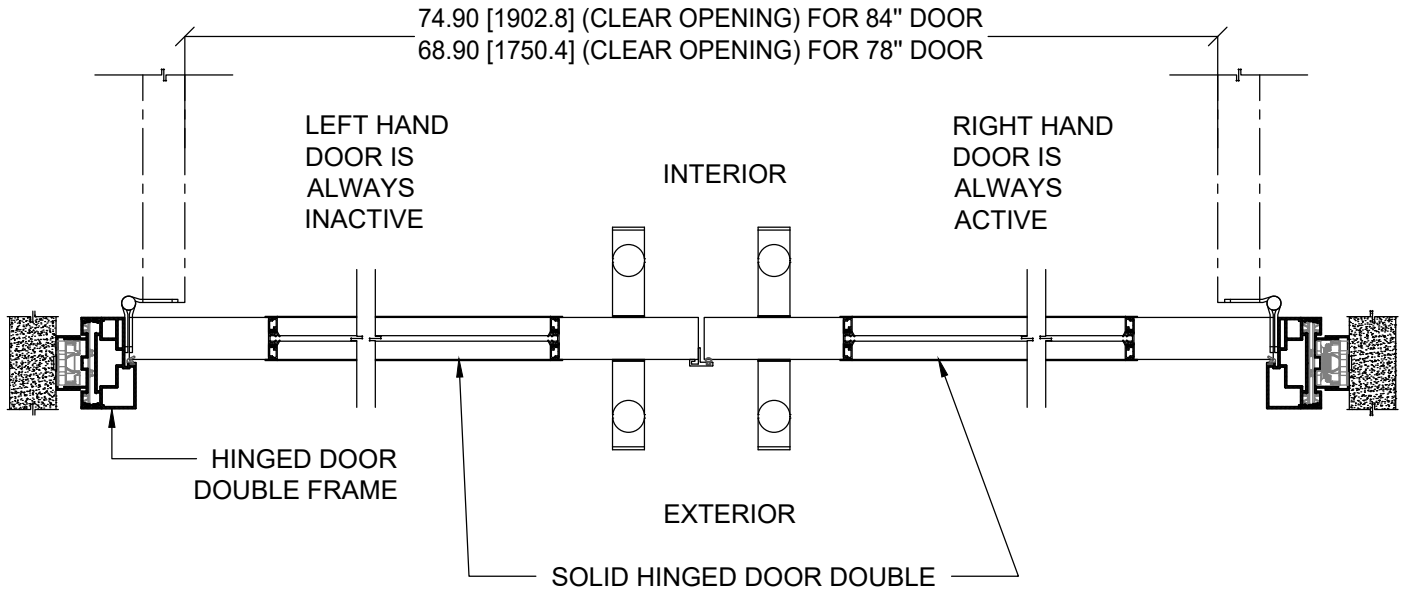
SOLID HINGED DOOR LEAF WITH GLASS INSERT DOUBLE
WITH JAMB AND FLOOR PULL LOCKING

FOCUS - SWING DOOR DETAILS

MODIFIED September 22, 2025 UNIT INCH SCALE 1:8

THIS DRAWING IS THE PROPERTY OF TEKNION LIMITED AND IS SUBJECT TO RETURN UPON DEMAND. IT MUST NOT BE SUBMITTED TO ANY OUTSIDE PARTIES FOR EXAMINATION WITHOUT TEKNION CONSENT. THIS DRAWING MUST NOT BE SCALED OR USED FOR CONSTRUCTION PURPOSES





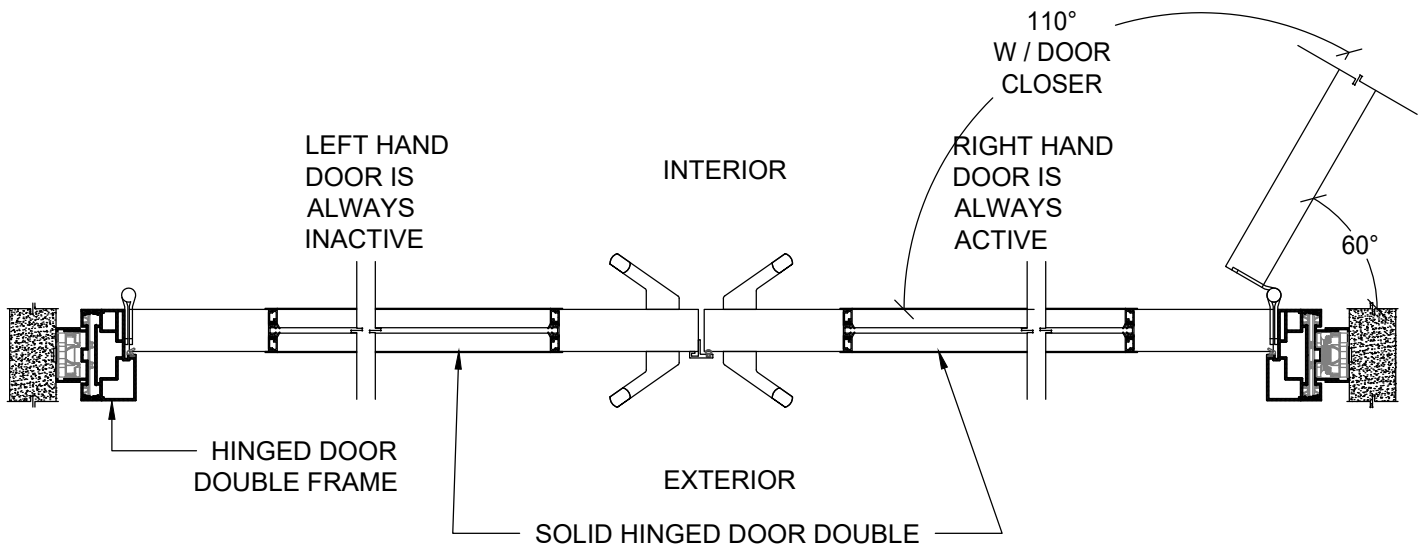
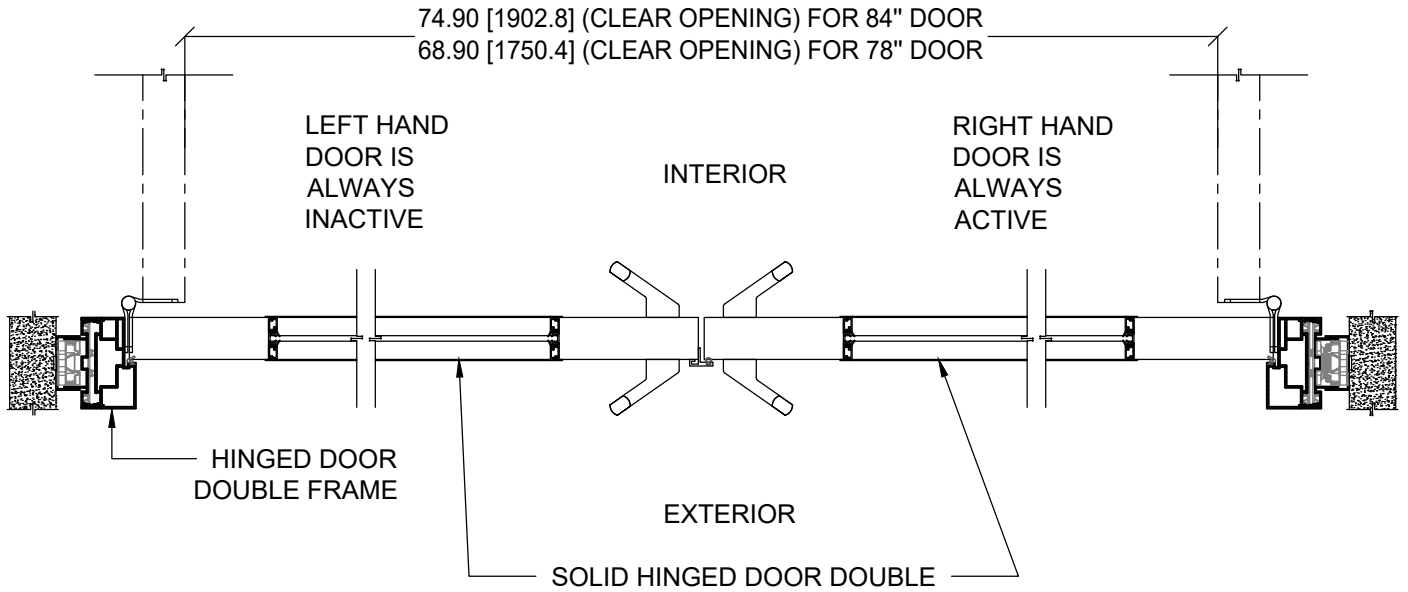
4/H SOLID HINGED DOOR LEAF WITH GLASS INSERT DOUBLE
B05 WITH JAMB AND FLOOR PULL NON LOCKING

FOCUS - SWING DOOR DETAILS

MODIFIED September 22, 2025 UNIT INCH SCALE 1:8

THIS DRAWING IS THE PROPERTY OF TEKNION LIMITED AND IS SUBJECT TO RETURN UPON DEMAND. IT MUST NOT BE SUBMITTED TO ANY OUTSIDE PARTIES FOR EXAMINATION WITHOUT TEKNION CONSENT. THIS DRAWING MUST NOT BE SCALED OR USED FOR CONSTRUCTION PURPOSES





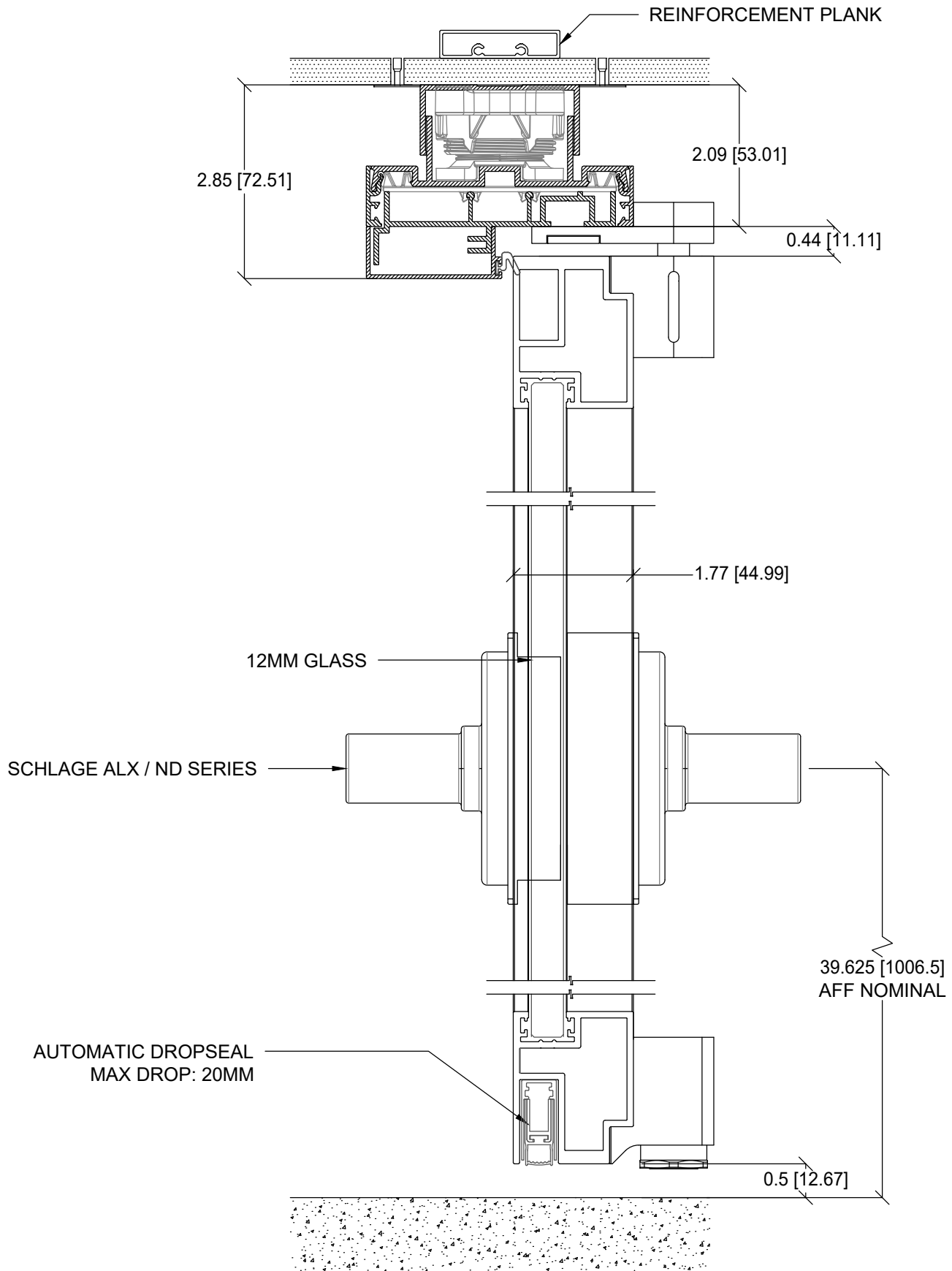
5/H SOLID HINGED DOOR LEAF WITH GLASS INSERT DOUBLE
B05 WITH JAMB AND LINEAR PULL ANGULAR

FOCUS - SWING DOOR DETAILS

MODIFIED September 22, 2025 UNIT INCH SCALE 1:8

THIS DRAWING IS THE PROPERTY OF TEKNION LIMITED AND IS SUBJECT TO RETURN UPON DEMAND. IT MUST NOT BE SUBMITTED TO ANY OUTSIDE PARTIES FOR EXAMINATION WITHOUT TEKNION CONSENT. THIS DRAWING MUST NOT BE SCALED OR USED FOR CONSTRUCTION PURPOSES





1/V
B06

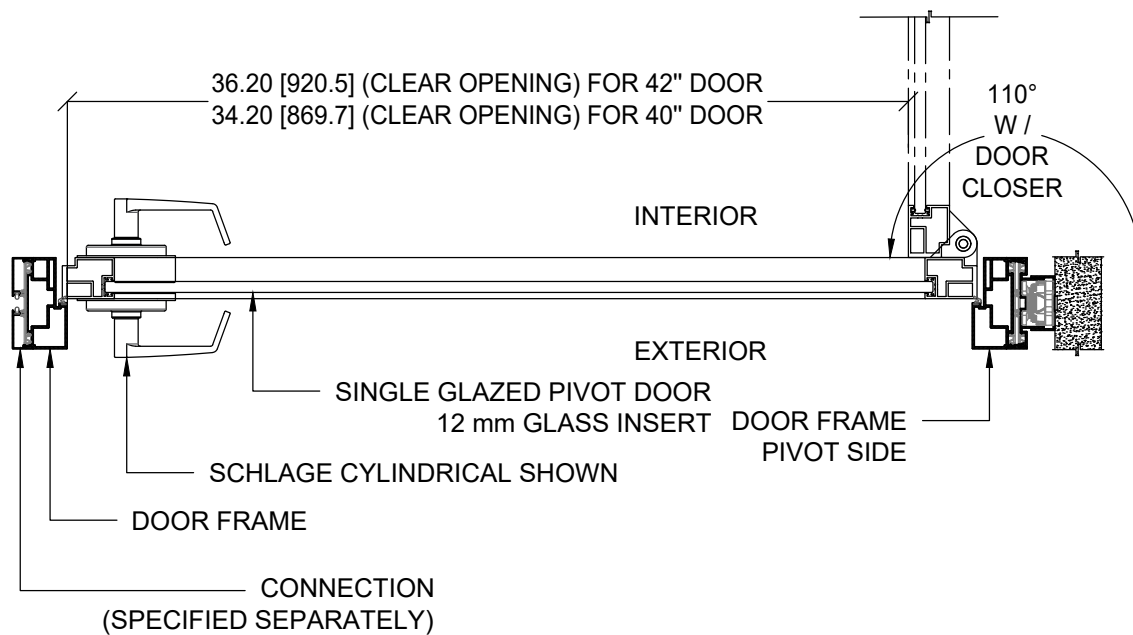
SINGLE LEAF 45MM, SINGLE GLAZED PIVOT DOOR
WITH JAMB AND ALX / ND SERIES

FOCUS - SWING DOOR DETAILS

MODIFIED	September 22, 2025	UNIT	INCH	SCALE	1:2
----------	--------------------	------	------	-------	-----

THIS DRAWING IS THE PROPERTY OF TEKNION LIMITED AND IS SUBJECT TO RETURN UPON DEMAND. IT MUST NOT BE SUBMITTED TO ANY OUTSIDE PARTIES FOR EXAMINATION WITHOUT TEKNION CONSENT. THIS DRAWING MUST NOT BE SCALED OR USED FOR CONSTRUCTION PURPOSES





1/H

SINGLE LEAF 45MM, SINGLE GLAZED PIVOT DOOR

B06

WITH JAMB AND ALX / ND SERIES

FOCUS - SWING DOOR DETAILS

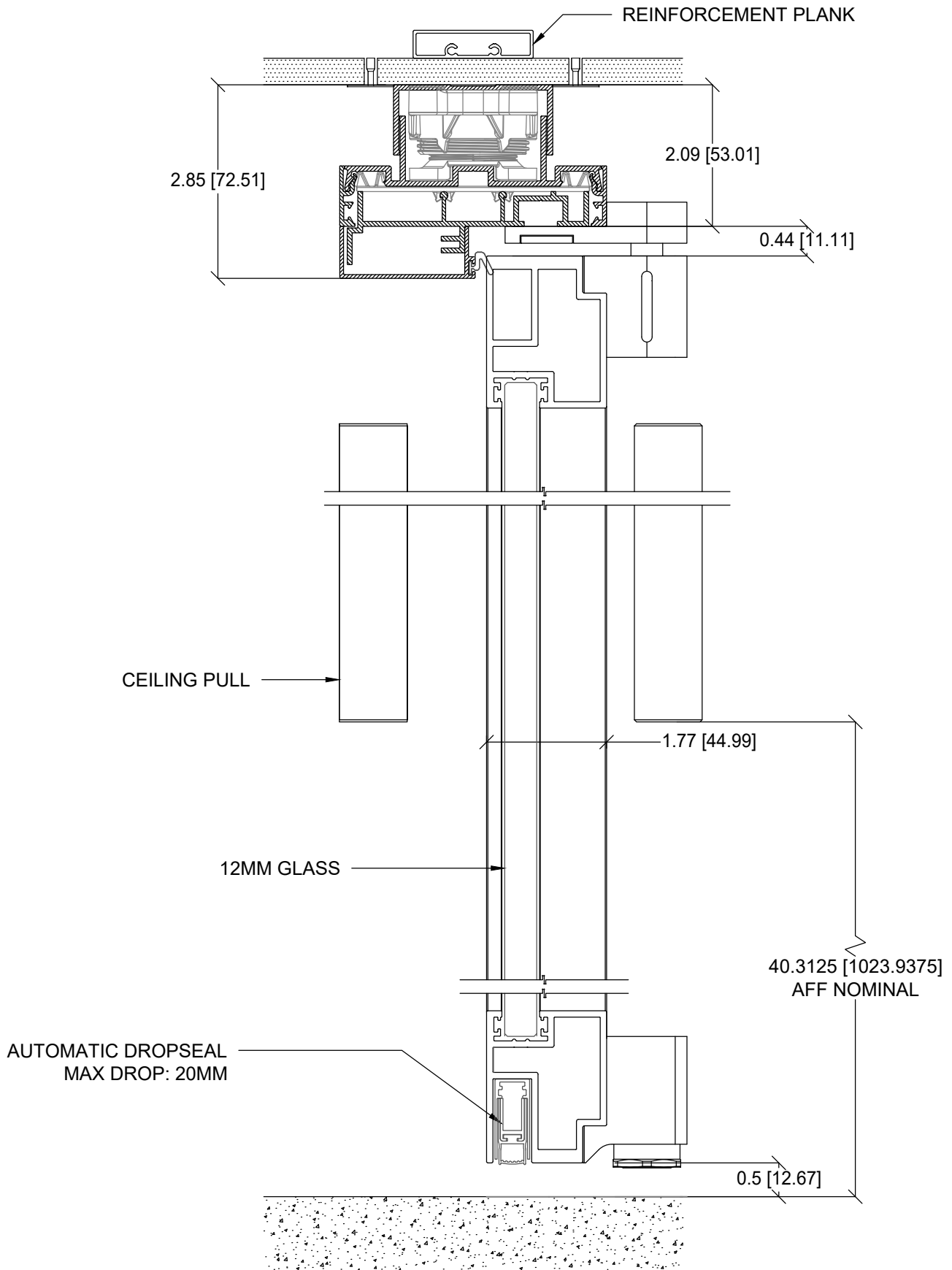
MODIFIED September 22, 2025

UNIT INCH SCALE 1:8

THIS DRAWING IS THE PROPERTY OF TEKNION LIMITED AND IS SUBJECT TO RETURN UPON DEMAND. IT MUST NOT BE SUBMITTED TO ANY OUTSIDE PARTIES FOR EXAMINATION WITHOUT TEKNION CONSENT. THIS DRAWING MUST NOT BE SCALED OR USED FOR CONSTRUCTION PURPOSES

teknion

Publish Date: Jan 14, 2026



2/V
B06

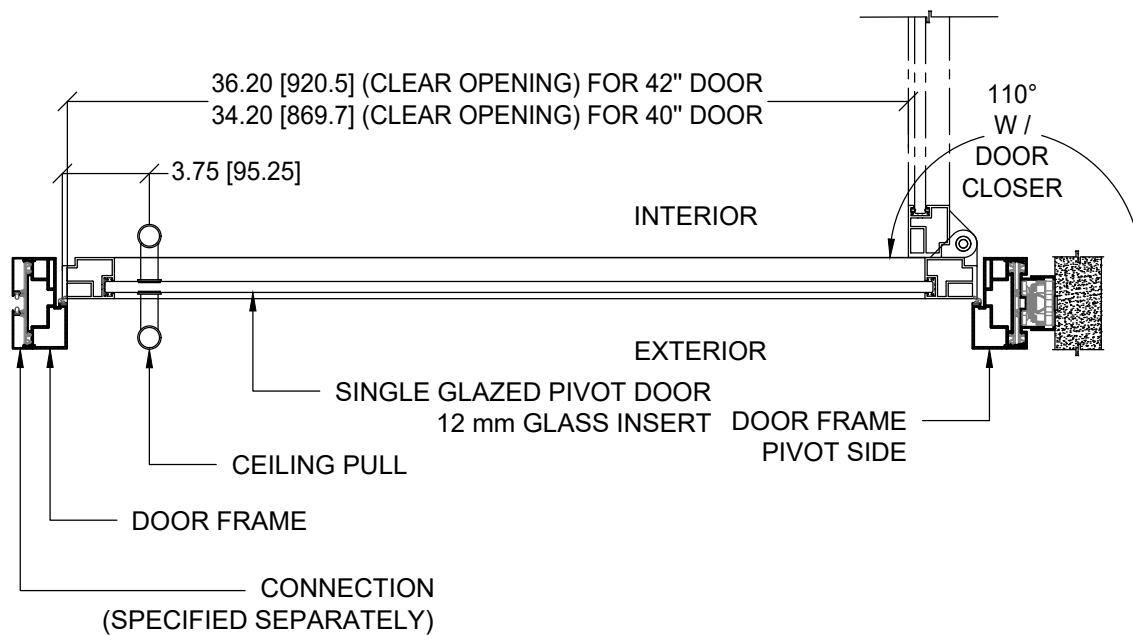
SINGLE LEAF 45MM, SINGLE GLAZED PIVOT DOOR
WITH JAMB AND CEILING PULL

FOCUS - SWING DOOR DETAILS

MODIFIED	September 22, 2025	UNIT	INCH	SCALE	1:2
----------	--------------------	------	------	-------	-----

THIS DRAWING IS THE PROPERTY OF TEKNION LIMITED AND IS SUBJECT TO RETURN UPON DEMAND. IT MUST NOT BE SUBMITTED TO ANY OUTSIDE PARTIES FOR EXAMINATION WITHOUT TEKNION CONSENT. THIS DRAWING MUST NOT BE SCALED OR USED FOR CONSTRUCTION PURPOSES





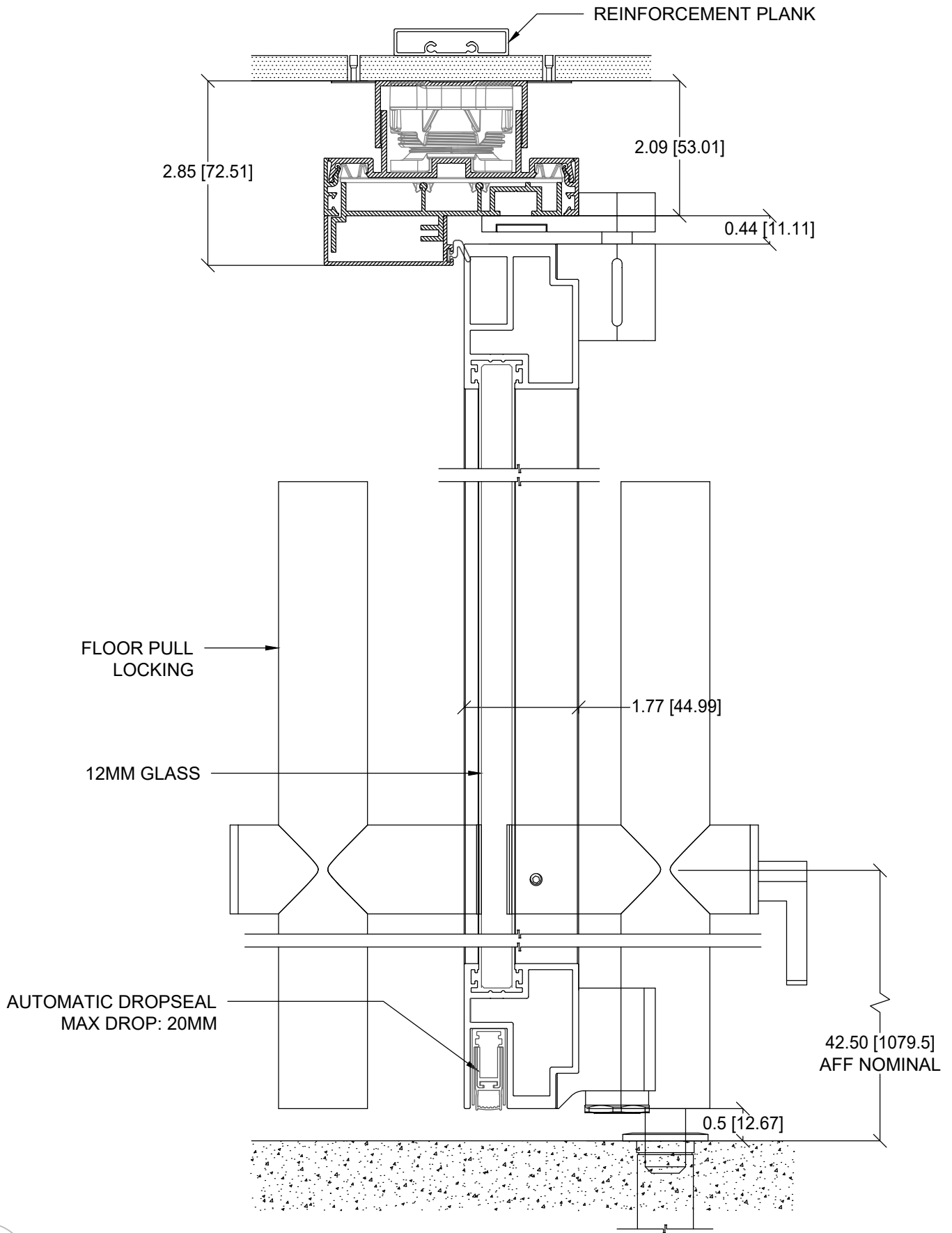
2/H
B06

SINGLE LEAF 45MM, SINGLE GLAZED PIVOT DOOR
WITH JAMB AND CEILING PULL

FOCUS - SWING DOOR DETAILS

MODIFIED	September 22, 2025	UNIT	INCH	SCALE	1:8
----------	--------------------	------	------	-------	-----

THIS DRAWING IS THE PROPERTY OF TEKNION LIMITED AND IS SUBJECT TO RETURN UPON DEMAND. IT MUST NOT BE SUBMITTED TO ANY OUTSIDE PARTIES FOR EXAMINATION WITHOUT TEKNION CONSENT. THIS DRAWING MUST NOT BE SCALED OR USED FOR CONSTRUCTION PURPOSES



3/V
B06

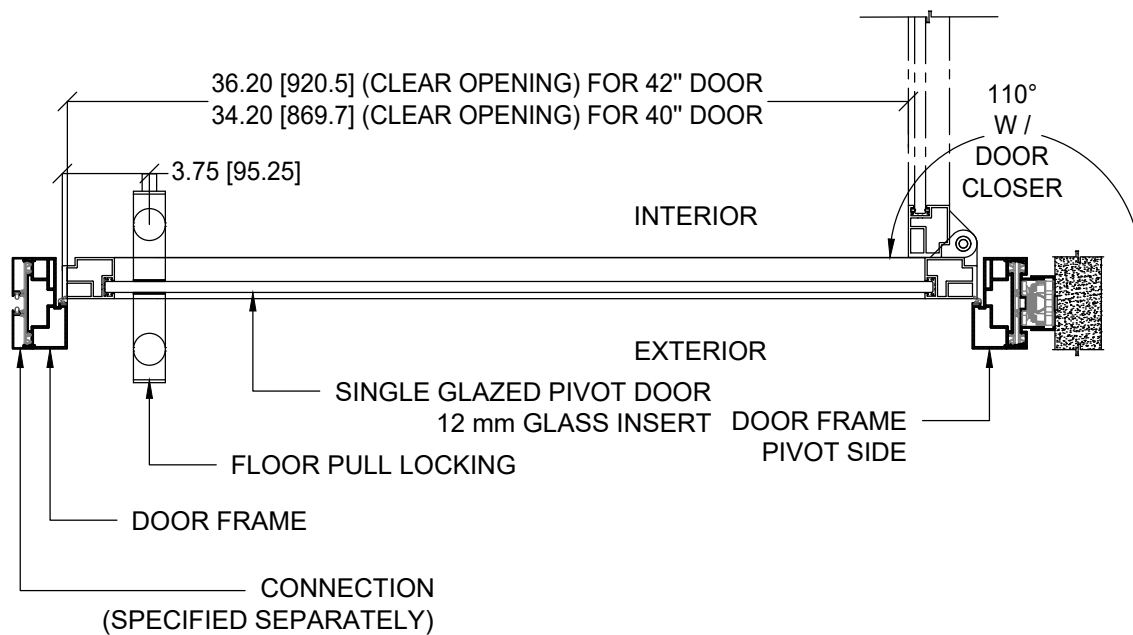
SINGLE LEAF 45MM, SINGLE GLAZED PIVOT DOOR
WITH JAMB AND FLOOR PULL LOCKING

FOCUS - SWING DOOR DETAILS

MODIFIED	September 22, 2025	UNIT	INCH	SCALE	1:2
----------	--------------------	------	------	-------	-----

THIS DRAWING IS THE PROPERTY OF TEKNION LIMITED AND IS SUBJECT TO RETURN UPON DEMAND. IT MUST NOT BE SUBMITTED TO ANY OUTSIDE PARTIES FOR EXAMINATION WITHOUT TEKNION CONSENT. THIS DRAWING MUST NOT BE SCALED OR USED FOR CONSTRUCTION PURPOSES





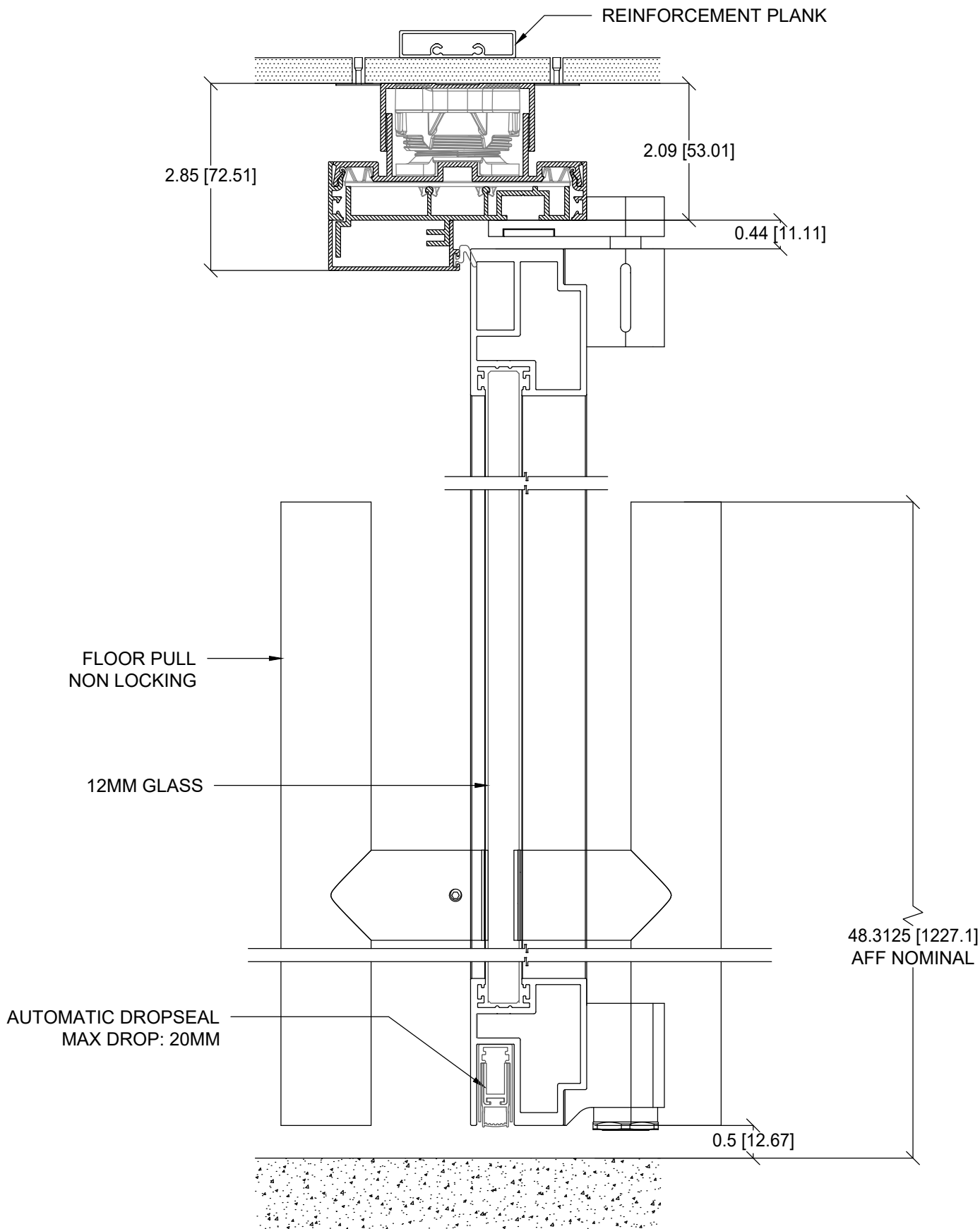
3/H
 B06

SINGLE LEAF 45MM, SINGLE GLAZED PIVOT DOOR
 WITH JAMB AND FLOOR PULL LOCKING

FOCUS - SWING DOOR DETAILS

MODIFIED	September 22, 2025	UNIT	INCH	SCALE	1:8
----------	--------------------	------	------	-------	-----

THIS DRAWING IS THE PROPERTY OF TEKNION LIMITED AND IS SUBJECT TO RETURN UPON DEMAND. IT MUST NOT BE SUBMITTED TO ANY OUTSIDE PARTIES FOR EXAMINATION WITHOUT TEKNION CONSENT. THIS DRAWING MUST NOT BE SCALED OR USED FOR CONSTRUCTION PURPOSES



4/V
B06

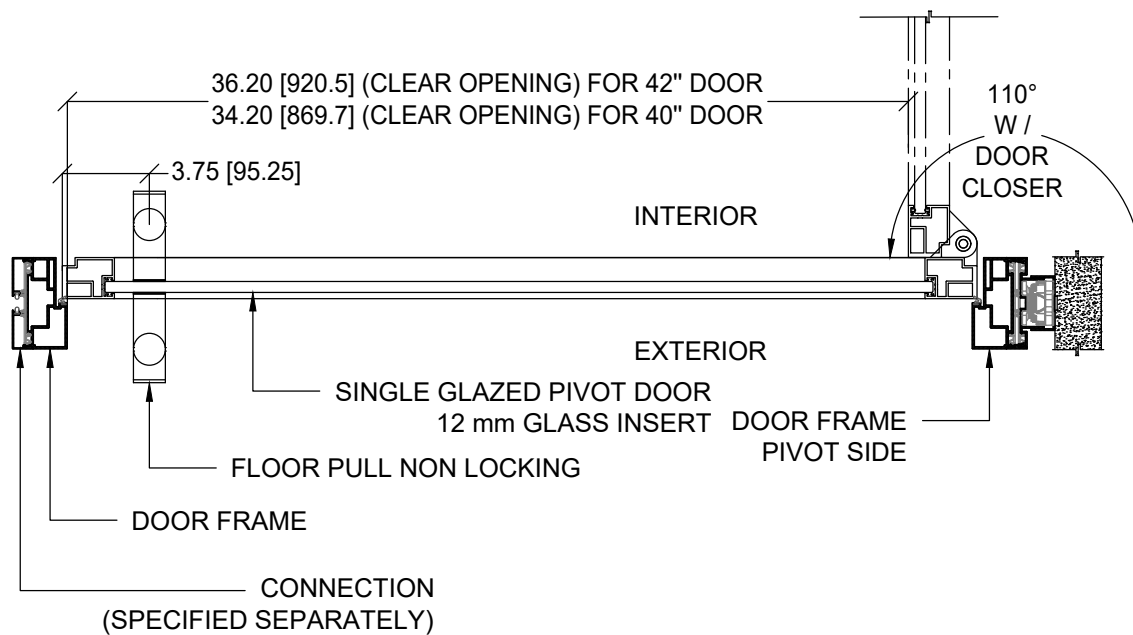
SINGLE LEAF 45MM, SINGLE GLAZED PIVOT DOOR
WITH JAMB AND FLOOR PULL

FOCUS - SWING DOOR DETAILS

MODIFIED	September 22, 2025	UNIT	INCH	SCALE	1:2
----------	--------------------	------	------	-------	-----

THIS DRAWING IS THE PROPERTY OF TEKNION LIMITED AND IS SUBJECT TO RETURN UPON DEMAND. IT MUST NOT BE SUBMITTED TO ANY OUTSIDE PARTIES FOR EXAMINATION WITHOUT TEKNION CONSENT. THIS DRAWING MUST NOT BE SCALED OR USED FOR CONSTRUCTION PURPOSES





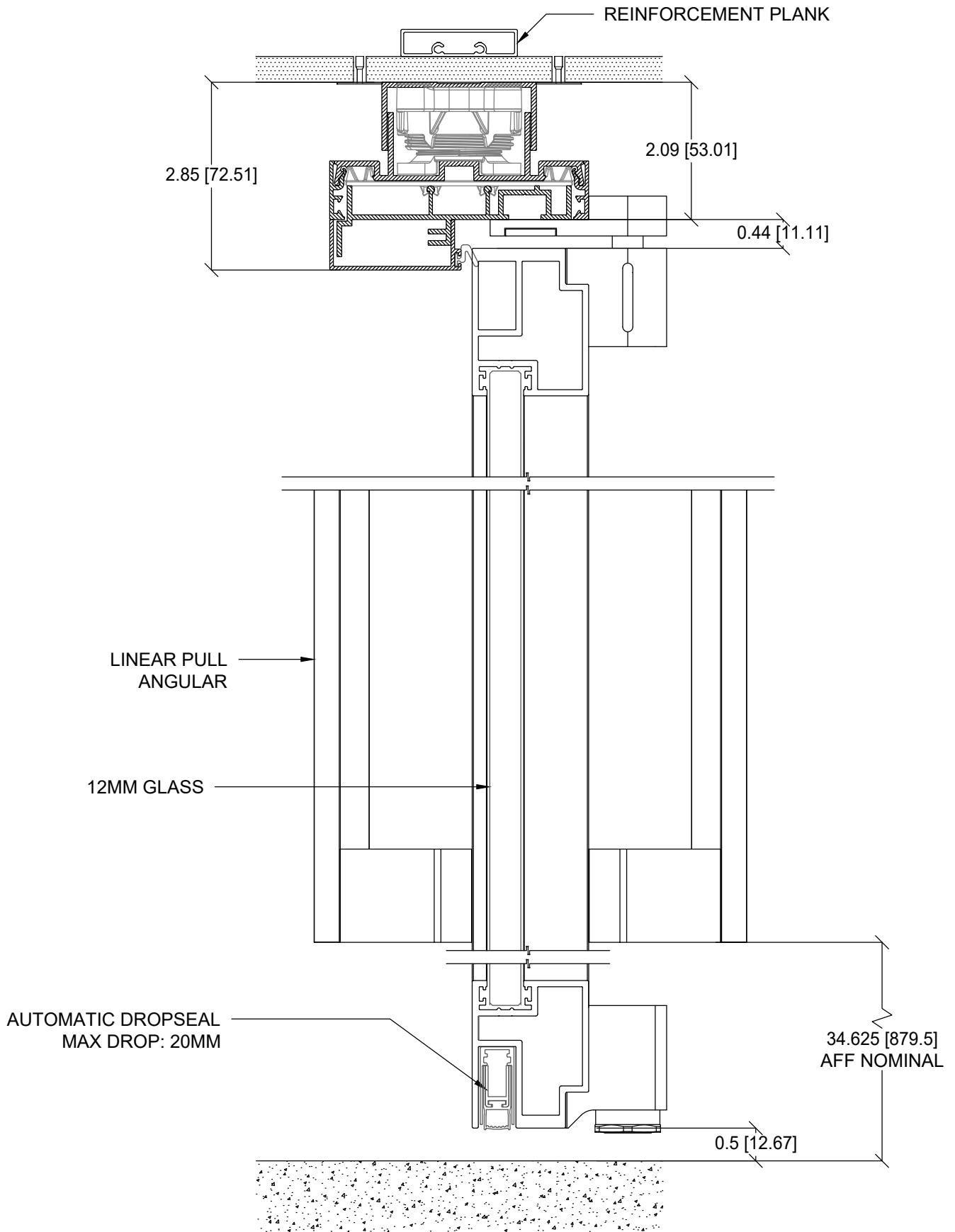
4/H
 B06

SINGLE LEAF 45MM, SINGLE GLAZED PIVOT DOOR
 WITH JAMB AND FLOOR PULL NON LOCKING

FOCUS - SWING DOOR DETAILS

MODIFIED	September 22, 2025	UNIT	INCH	SCALE	1:8
----------	--------------------	------	------	-------	-----

THIS DRAWING IS THE PROPERTY OF TEKNION LIMITED AND IS SUBJECT TO RETURN UPON DEMAND. IT MUST NOT BE SUBMITTED TO ANY OUTSIDE PARTIES FOR EXAMINATION WITHOUT TEKNION CONSENT. THIS DRAWING MUST NOT BE SCALED OR USED FOR CONSTRUCTION PURPOSES



5/V
B06

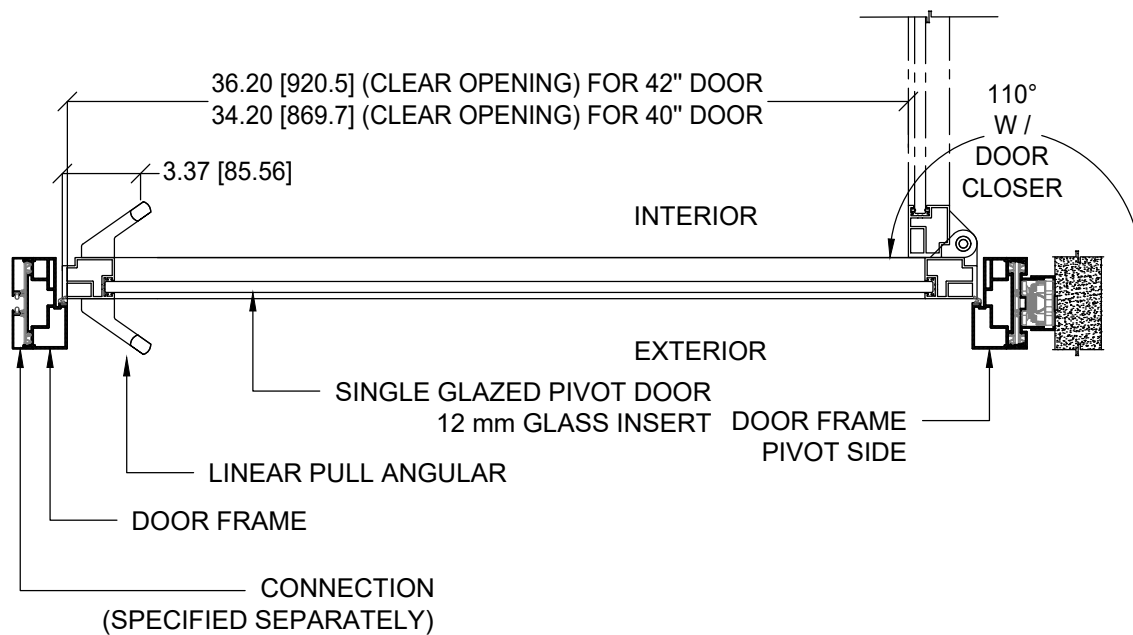
SINGLE LEAF 45MM, SINGLE GLAZED PIVOT DOOR
WITH JAMB AND LINEAR PULL

FOCUS - SWING DOOR DETAILS

MODIFIED	September 22, 2025	UNIT	INCH	SCALE	1:2
----------	--------------------	------	------	-------	-----

THIS DRAWING IS THE PROPERTY OF TEKNION LIMITED AND IS SUBJECT TO RETURN UPON DEMAND. IT MUST NOT BE SUBMITTED TO ANY OUTSIDE PARTIES FOR EXAMINATION WITHOUT TEKNION CONSENT. THIS DRAWING MUST NOT BE SCALED OR USED FOR CONSTRUCTION PURPOSES





5/H
 B06

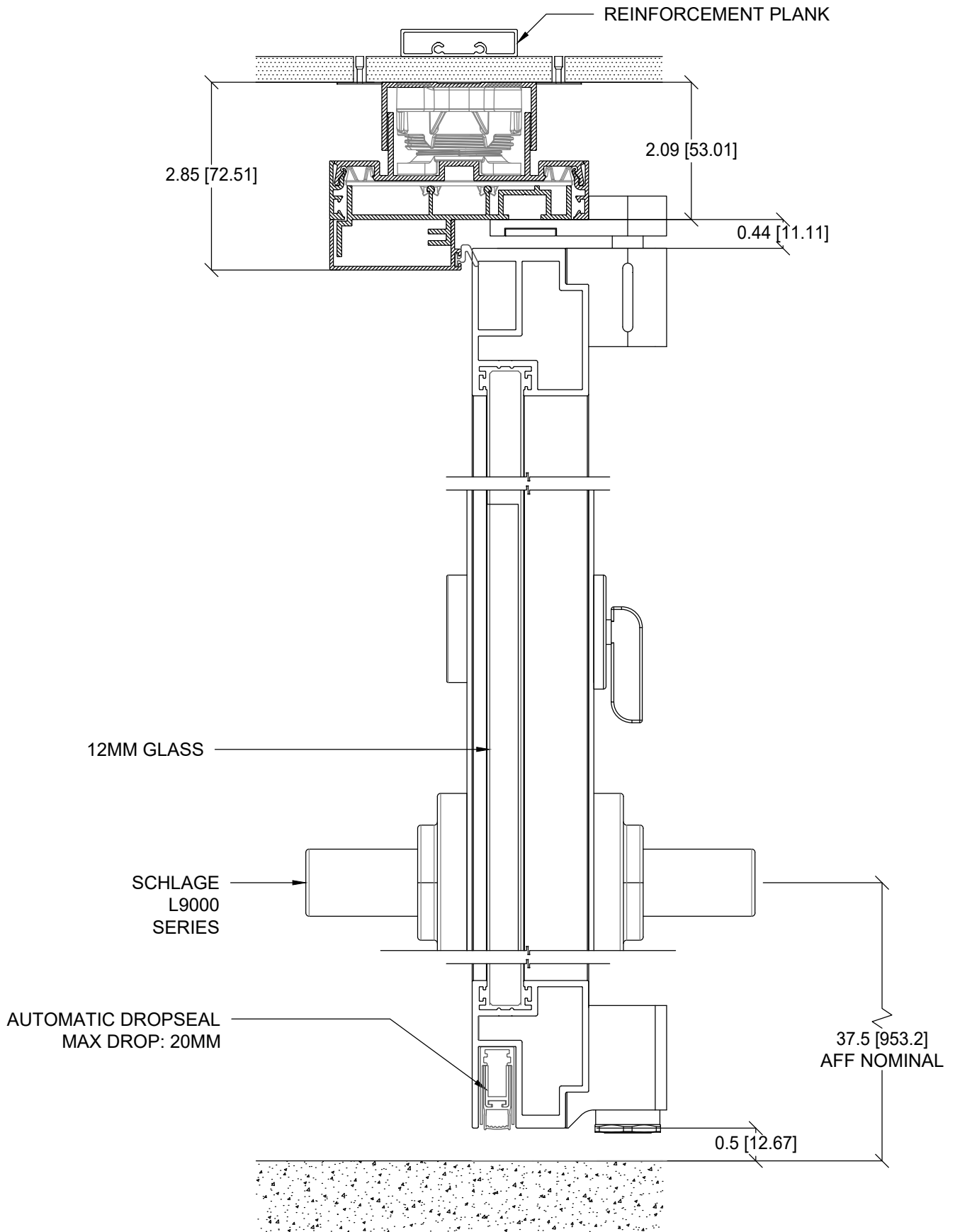
SINGLE LEAF 45MM, SINGLE GLAZED PIVOT DOOR
 WITH JAMB AND LINEAR PULL ANGULAR

FOCUS - SWING DOOR DETAILS

MODIFIED	September 22, 2025	UNIT	INCH	SCALE	1:8
----------	--------------------	------	------	-------	-----

THIS DRAWING IS THE PROPERTY OF TEKNION LIMITED AND IS SUBJECT TO RETURN UPON DEMAND. IT MUST NOT BE SUBMITTED TO ANY OUTSIDE PARTIES FOR EXAMINATION WITHOUT TEKNION CONSENT. THIS DRAWING MUST NOT BE SCALED OR USED FOR CONSTRUCTION PURPOSES





6/V
B06

SINGLE LEAF 45MM, SINGLE GLAZED PIVOT DOOR
WITH JAMB AND MORTISE LOCK L SERIES

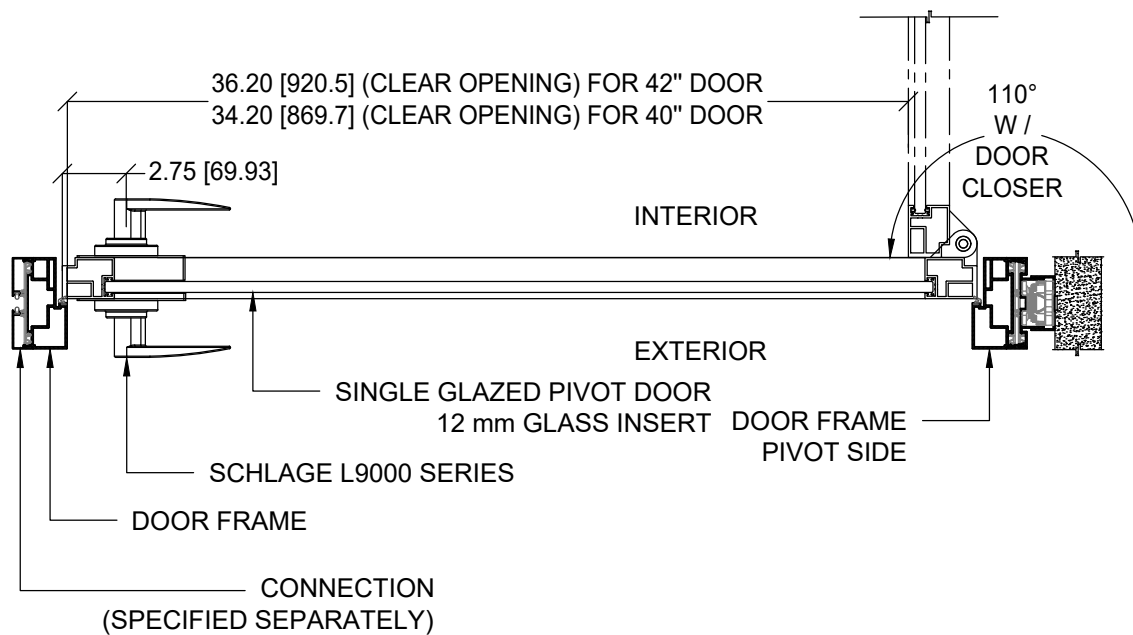
FOCUS - SWING DOOR DETAILS

MODIFIED	September 22, 2025	UNIT	INCH	SCALE	1:2
----------	--------------------	------	------	-------	-----

THIS DRAWING IS THE PROPERTY OF TEKNION LIMITED AND IS SUBJECT TO RETURN UPON DEMAND. IT MUST NOT BE SUBMITTED TO ANY OUTSIDE PARTIES FOR EXAMINATION WITHOUT TEKNION CONSENT. THIS DRAWING MUST NOT BE SCALED OR USED FOR CONSTRUCTION PURPOSES

teknion

Publish Date: Jan 14, 2026



6/H
B06

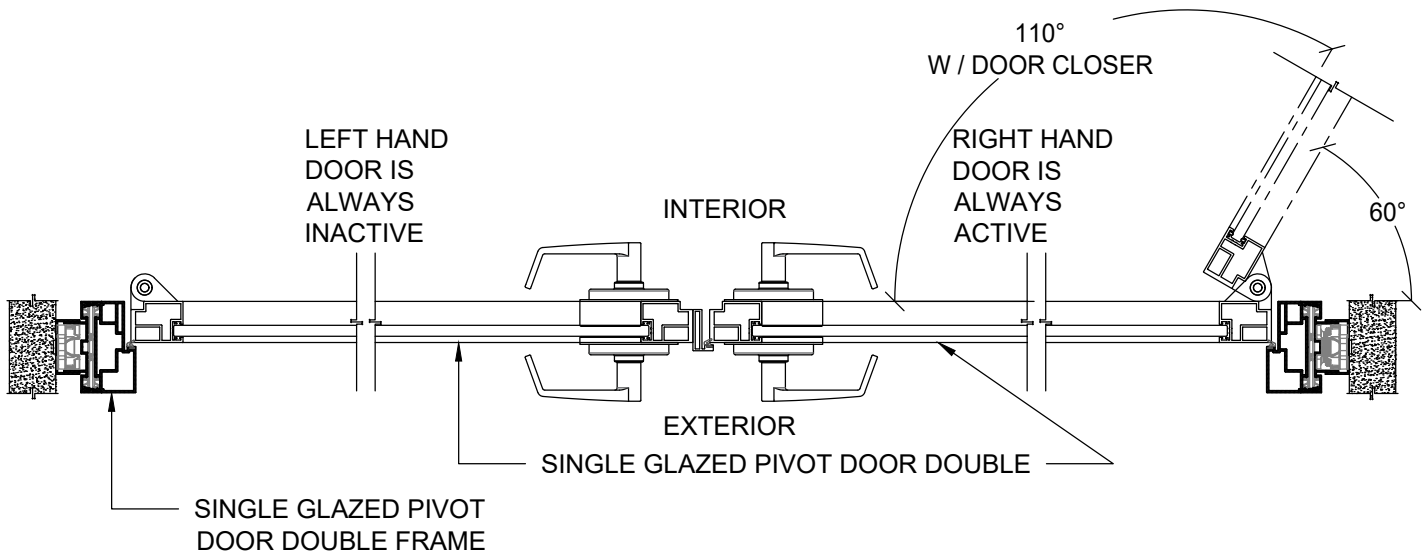
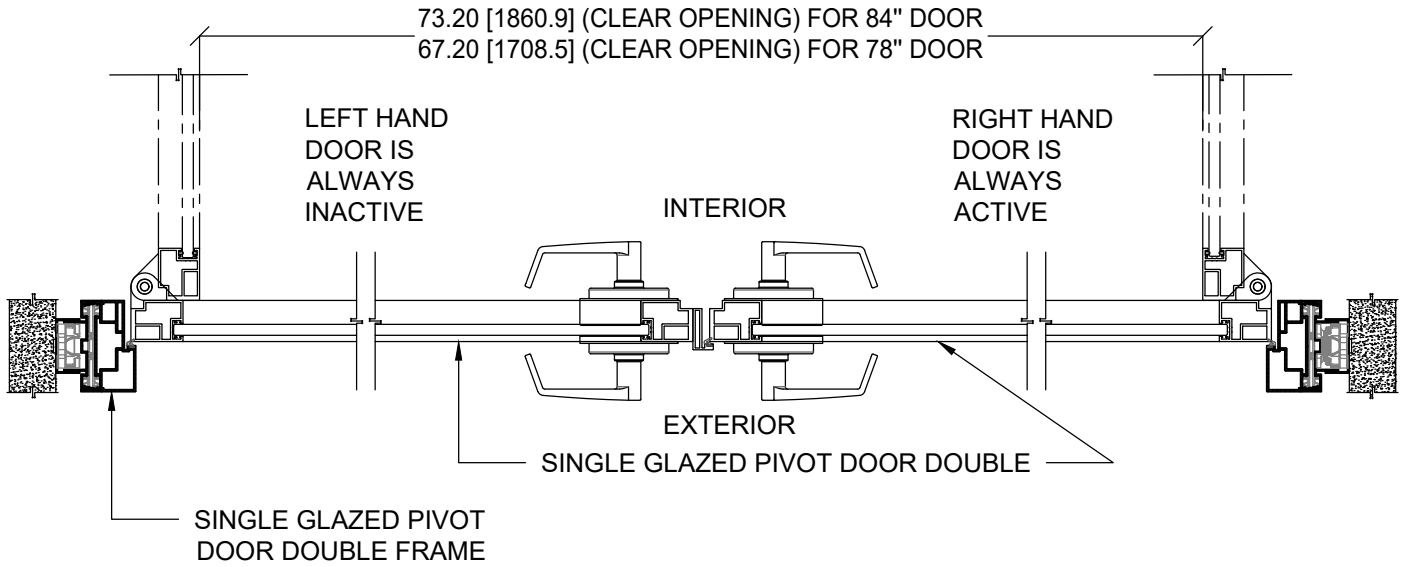
SINGLE LEAF 45MM, SINGLE GLAZED PIVOT DOOR
WITH JAMB AND MORTISE LOCK L SERIES

FOCUS - SWING DOOR DETAILS

MODIFIED	September 22, 2025	UNIT	INCH	SCALE	1:8
----------	--------------------	------	------	-------	-----

THIS DRAWING IS THE PROPERTY OF TEKNION LIMITED AND IS SUBJECT TO RETURN UPON DEMAND. IT MUST NOT BE SUBMITTED TO ANY OUTSIDE PARTIES FOR EXAMINATION WITHOUT TEKNION CONSENT. THIS DRAWING MUST NOT BE SCALED OR USED FOR CONSTRUCTION PURPOSES





1/H DOUBLE LEAF 45MM, SINGLE GLAZED PIVOT DOOR
B07 WITH JAMB AND CYLINDRICAL LOCK ALX/ND

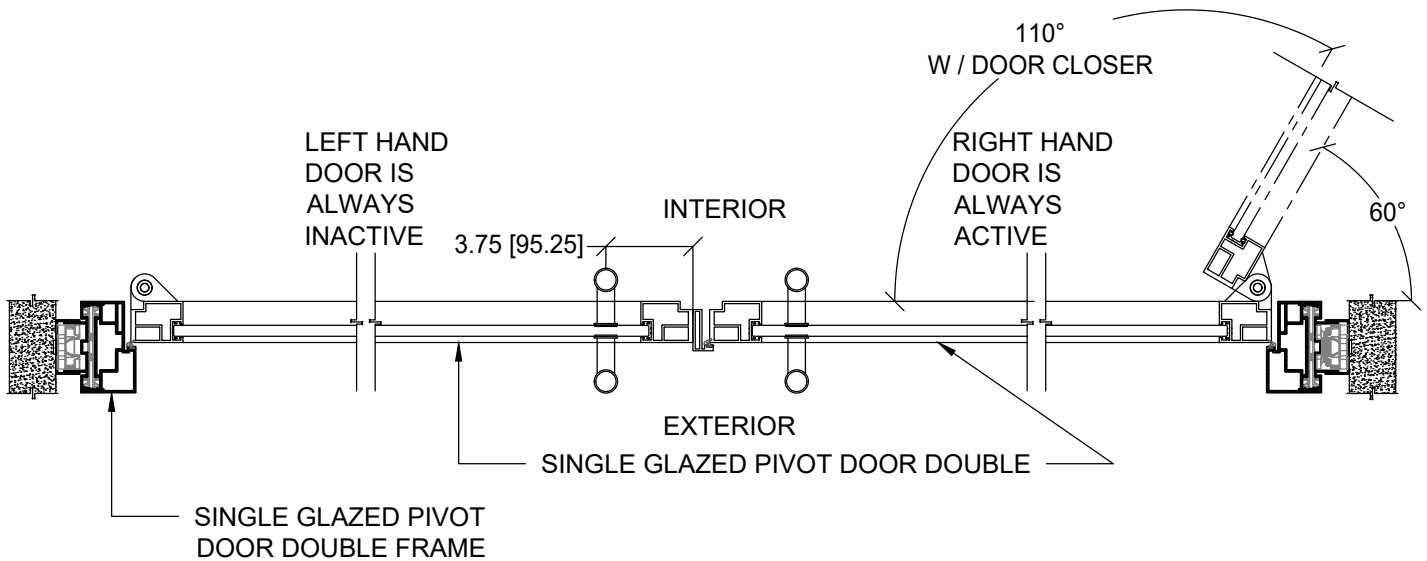
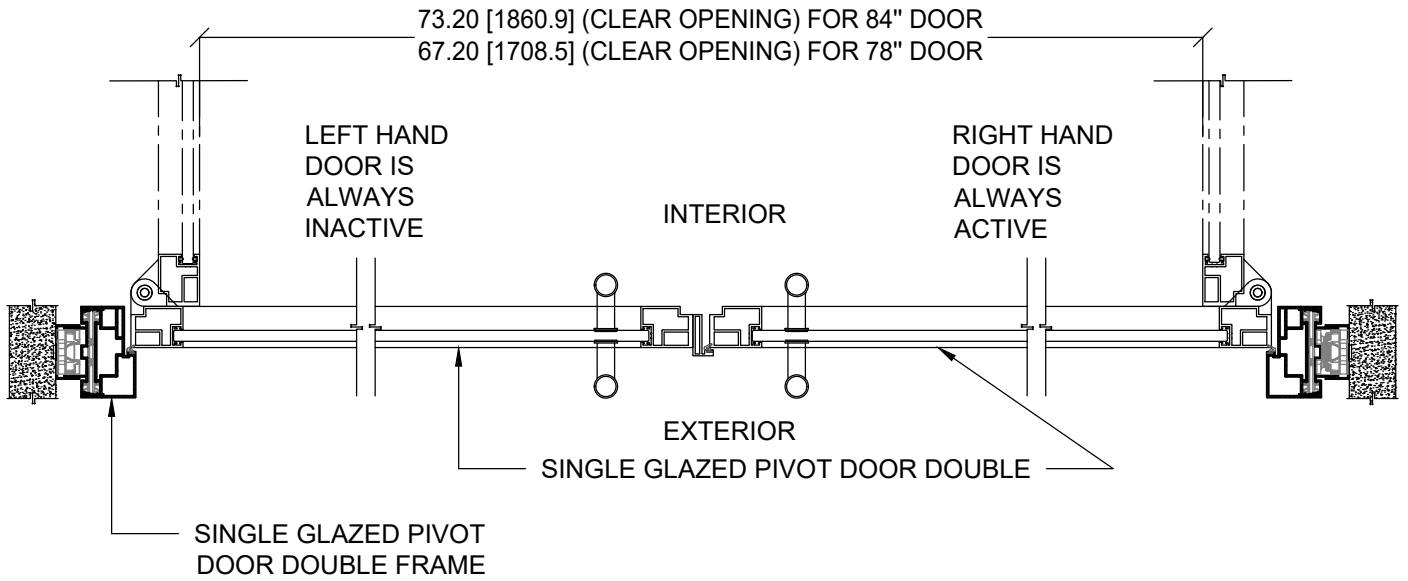
FOCUS - SWING DOOR DETAILS

MODIFIED September 22, 2025 UNIT INCH SCALE 1:8

THIS DRAWING IS THE PROPERTY OF TEKNION LIMITED AND IS SUBJECT TO RETURN UPON DEMAND. IT MUST NOT BE SUBMITTED TO ANY OUTSIDE PARTIES FOR EXAMINATION WITHOUT TEKNION CONSENT. THIS DRAWING MUST NOT BE SCALED OR USED FOR CONSTRUCTION PURPOSES

teknion

Publish Date: Jan 14, 2026



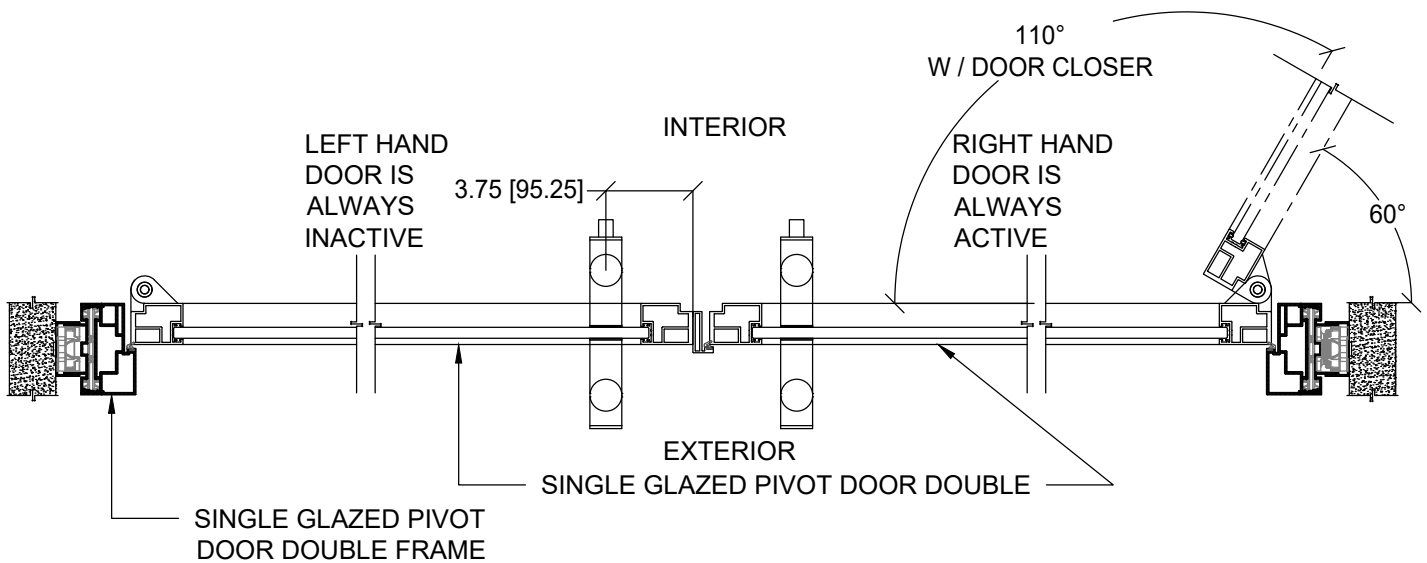
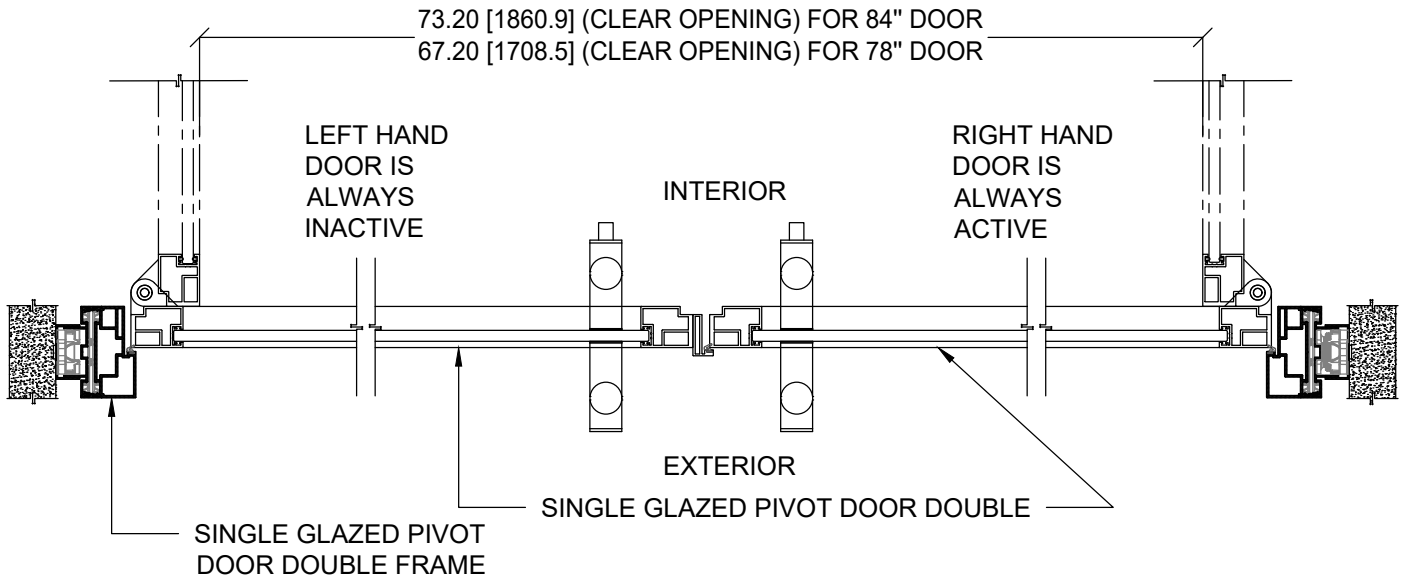
2/H DOUBLE LEAF 45MM, SINGLE GLAZED PIVOT DOOR
 B07 WITH JAMB AND CEILING PULL

FOCUS - SWING DOOR DETAILS

MODIFIED	September 22, 2025	UNIT	INCH	SCALE	1:8
----------	--------------------	------	------	-------	-----

THIS DRAWING IS THE PROPERTY OF TEKNION LIMITED AND IS SUBJECT TO RETURN UPON DEMAND. IT MUST NOT BE SUBMITTED TO ANY OUTSIDE PARTIES FOR EXAMINATION WITHOUT TEKNION CONSENT. THIS DRAWING MUST NOT BE SCALED OR USED FOR CONSTRUCTION PURPOSES





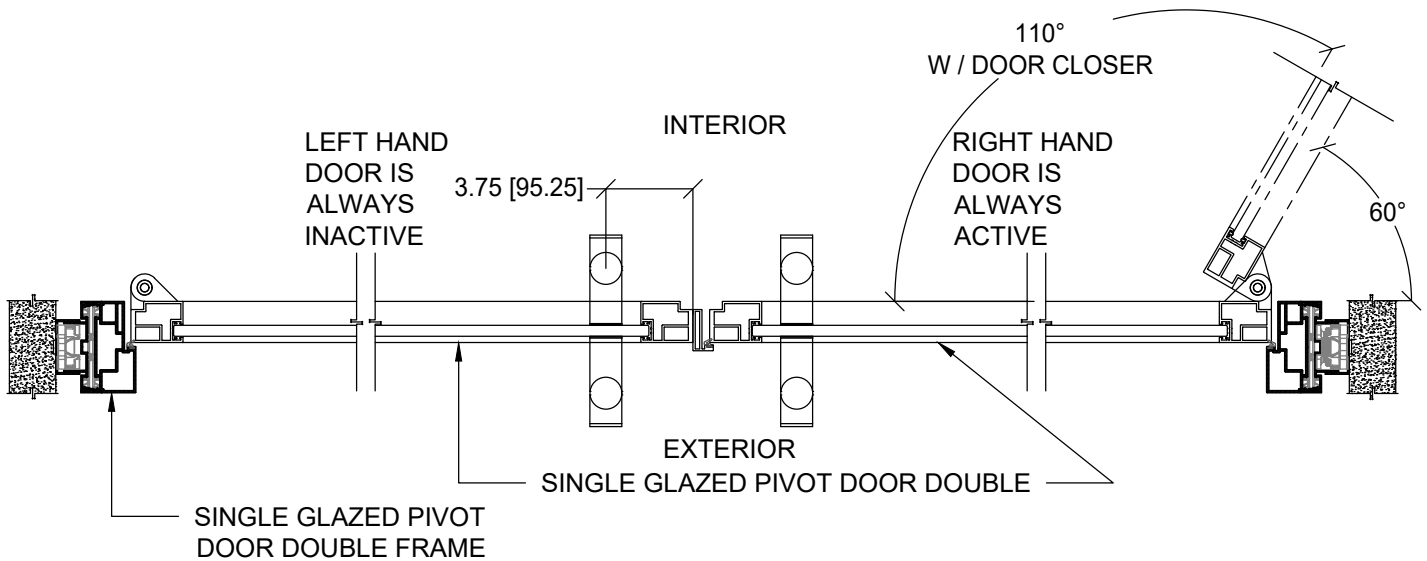
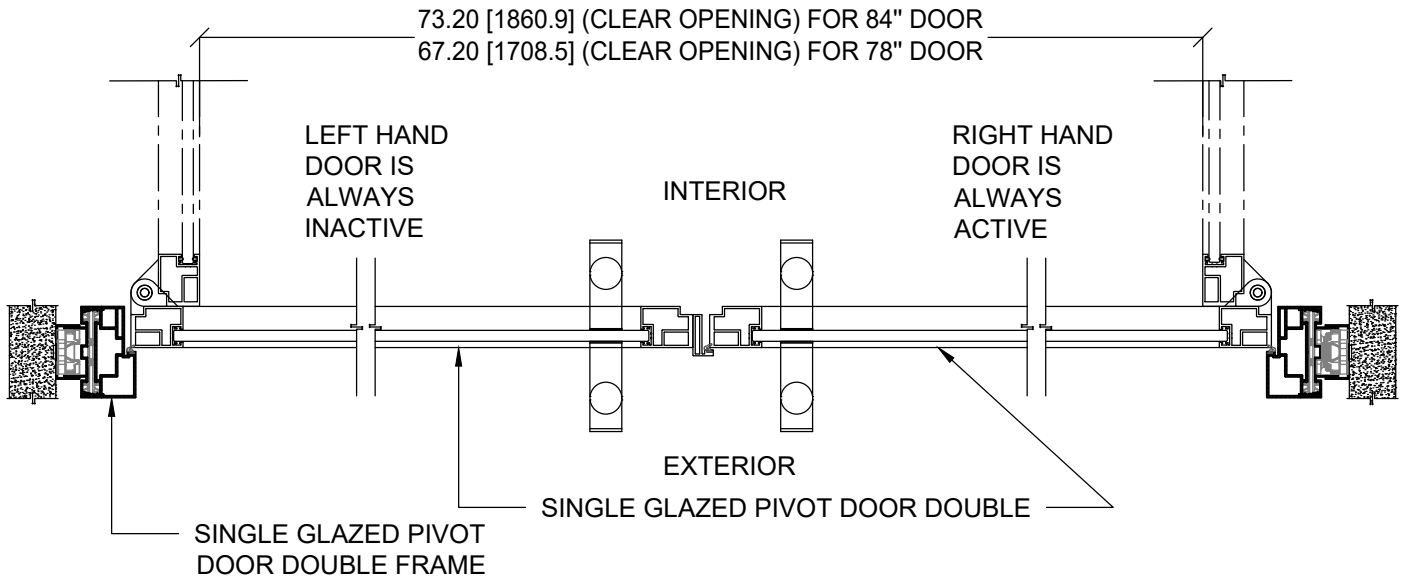
3/H DOUBLE LEAF 45MM, SINGLE GLAZED PIVOT DOOR
B07 WITH JAMB AND FLOOR PULL LOCKING

FOCUS - SWING DOOR DETAILS

MODIFIED September 22, 2025 UNIT INCH SCALE 1:8

THIS DRAWING IS THE PROPERTY OF TEKNION LIMITED AND IS SUBJECT TO RETURN UPON DEMAND. IT MUST NOT BE SUBMITTED TO ANY OUTSIDE PARTIES FOR EXAMINATION WITHOUT TEKNION CONSENT. THIS DRAWING MUST NOT BE SCALED OR USED FOR CONSTRUCTION PURPOSES





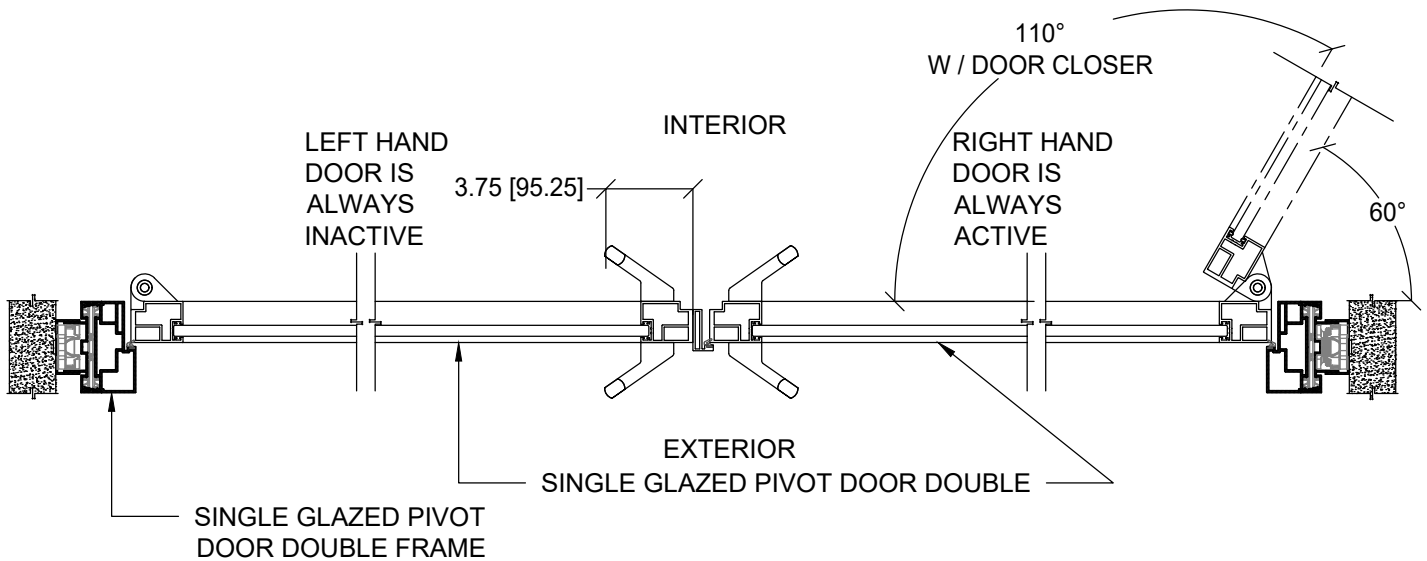
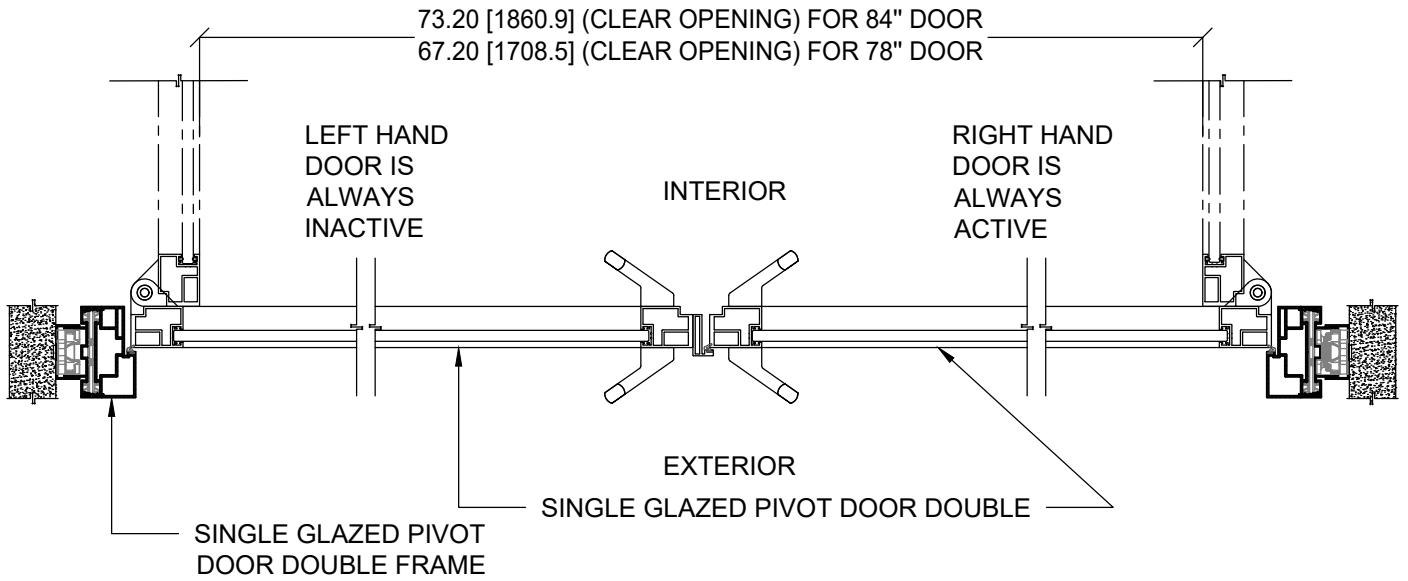
4/H DOUBLE LEAF 45MM, SINGLE GLAZED PIVOT DOOR
B07 WITH JAMB AND FLOOR PULL NON LOCKING

FOCUS - SWING DOOR DETAILS

MODIFIED September 22, 2025 UNIT INCH SCALE 1:8

THIS DRAWING IS THE PROPERTY OF TEKNION LIMITED AND IS SUBJECT TO RETURN UPON DEMAND. IT MUST NOT BE SUBMITTED TO ANY OUTSIDE PARTIES FOR EXAMINATION WITHOUT TEKNION CONSENT. THIS DRAWING MUST NOT BE SCALED OR USED FOR CONSTRUCTION PURPOSES





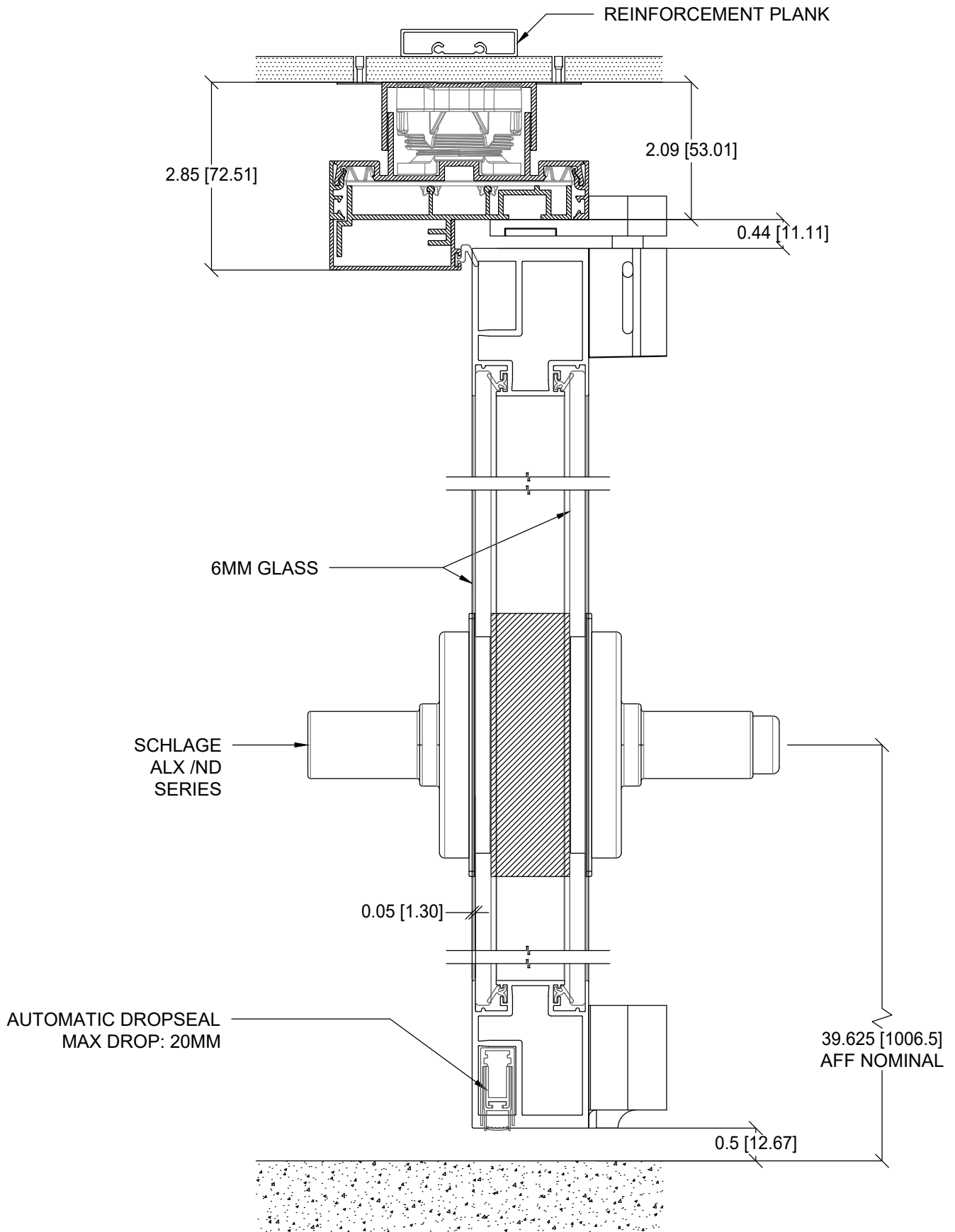
5/H DOUBLE LEAF 45MM, SINGLE GLAZED PIVOT DOOR
B07 WITH JAMB AND LINEAR PULL

FOCUS - SWING DOOR DETAILS

MODIFIED September 22, 2025 UNIT INCH SCALE 1:8

THIS DRAWING IS THE PROPERTY OF TEKNION LIMITED AND IS SUBJECT TO RETURN UPON DEMAND. IT MUST NOT BE SUBMITTED TO ANY OUTSIDE PARTIES FOR EXAMINATION WITHOUT TEKNION CONSENT. THIS DRAWING MUST NOT BE SCALED OR USED FOR CONSTRUCTION PURPOSES





1/V SINGLE LEAF 45MM, DOUBLE GLAZED PIVOT DOOR
 B08 WITH JAMB AND ALX / ND SERIES

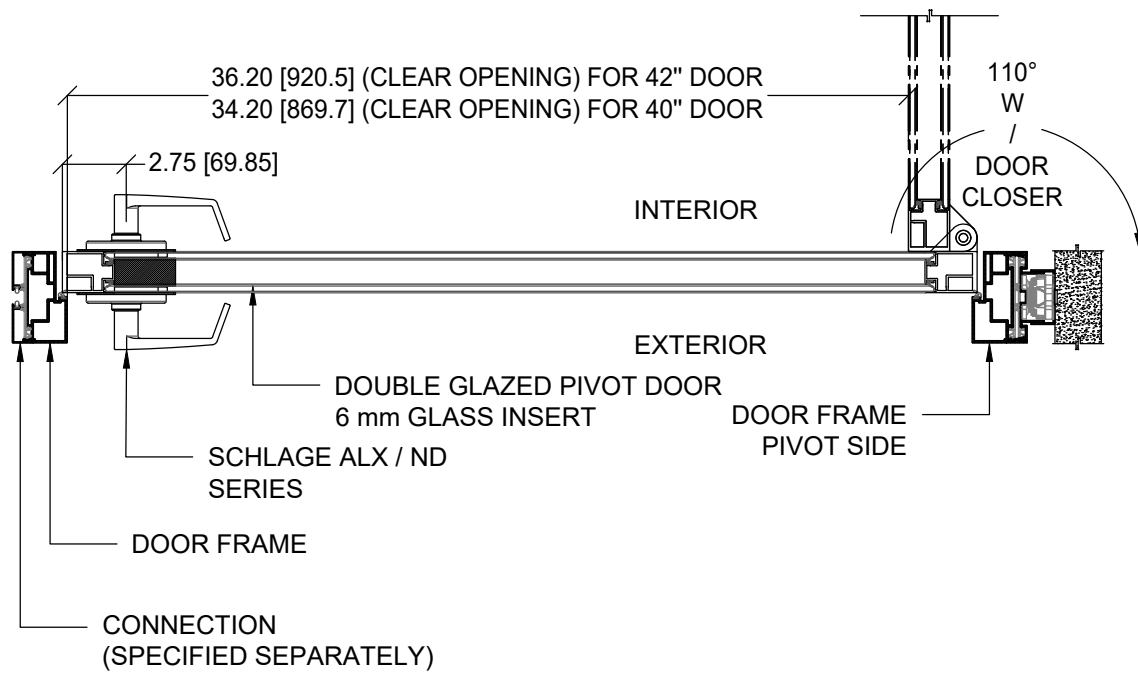
FOCUS - SWING DOOR DETAILS

MODIFIED	September 22, 2025	UNIT	INCH	SCALE	1:2
----------	--------------------	------	------	-------	-----

THIS DRAWING IS THE PROPERTY OF TEKNION LIMITED AND IS SUBJECT TO RETURN UPON DEMAND. IT MUST NOT BE SUBMITTED TO ANY OUTSIDE PARTIES FOR EXAMINATION WITHOUT TEKNION CONSENT. THIS DRAWING MUST NOT BE SCALED OR USED FOR CONSTRUCTION PURPOSES



Publish Date: Jan 14, 2026



1/H
 B08

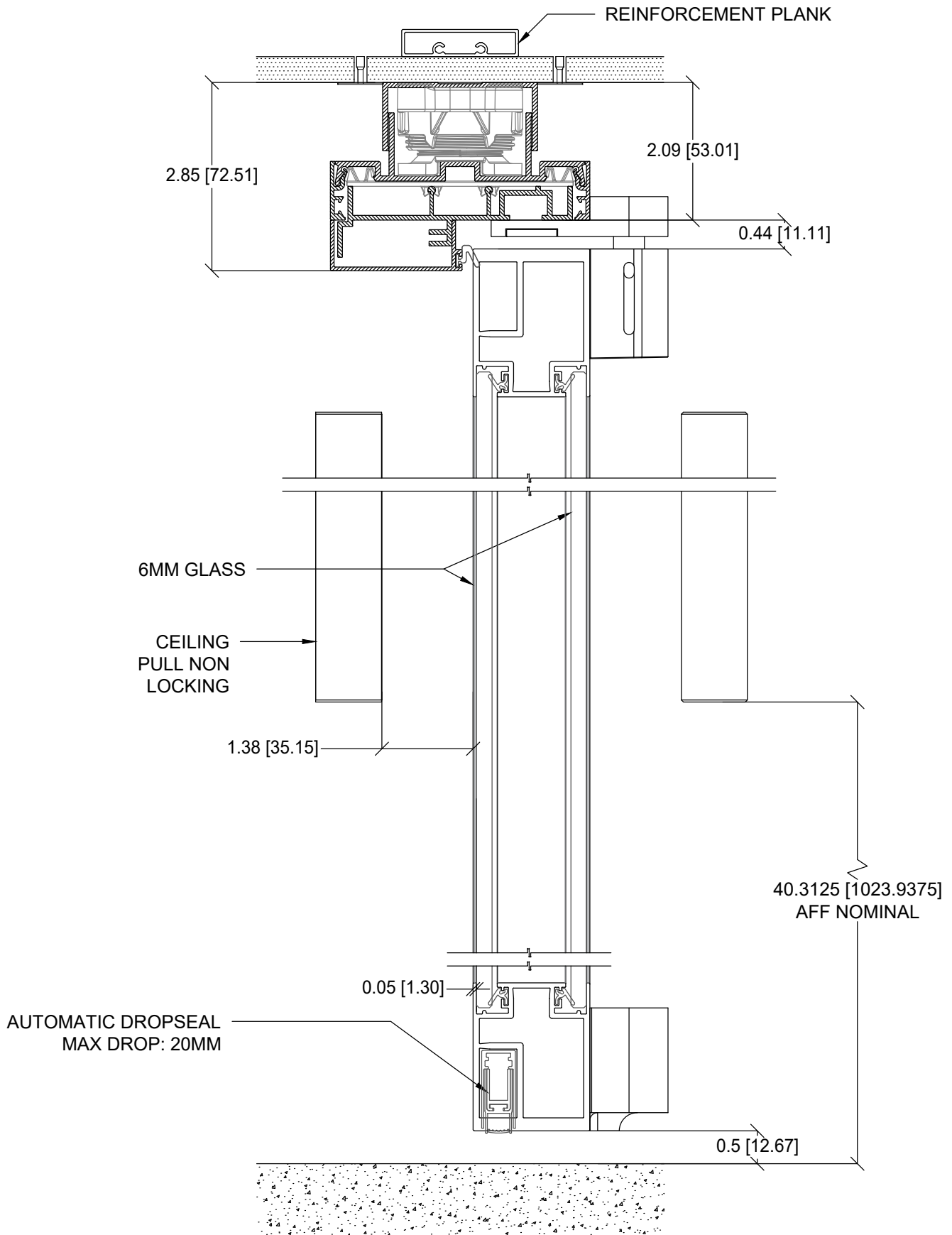
SINGLE LEAF 45MM, DOUBLE GLAZED PIVOT DOOR
 WITH JAMB AND ALX / ND SERIES

FOCUS - SWING DOOR DETAILS

MODIFIED	September 22, 2025	UNIT	INCH	SCALE	1:8
----------	--------------------	------	------	-------	-----

THIS DRAWING IS THE PROPERTY OF TEKNION LIMITED AND IS SUBJECT TO RETURN UPON DEMAND. IT MUST NOT BE SUBMITTED TO ANY OUTSIDE PARTIES FOR EXAMINATION WITHOUT TEKNION CONSENT. THIS DRAWING MUST NOT BE SCALED OR USED FOR CONSTRUCTION PURPOSES





2/V
B08

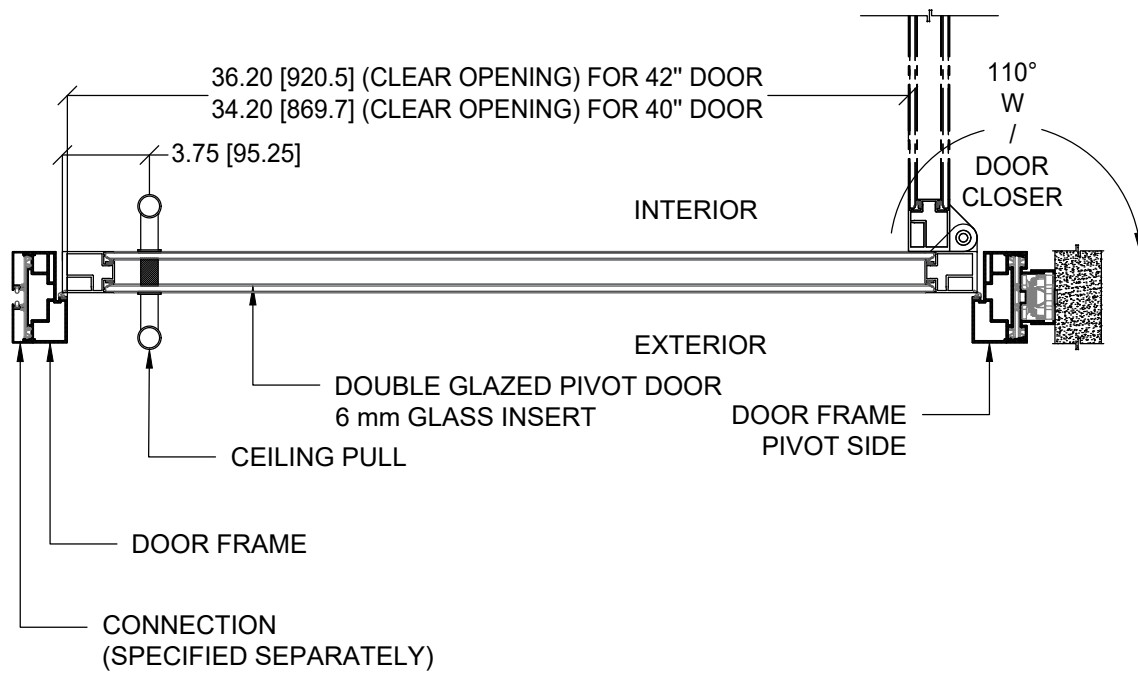
SINGLE LEAF 45MM, DOUBLE GLAZED PIVOT DOOR
WITH JAMB AND CEILING PULL

FOCUS - SWING DOOR DETAILS

MODIFIED	September 22, 2025	UNIT	INCH	SCALE	1:2
----------	--------------------	------	------	-------	-----

THIS DRAWING IS THE PROPERTY OF TEKNION LIMITED AND IS SUBJECT TO RETURN UPON DEMAND. IT MUST NOT BE SUBMITTED TO ANY OUTSIDE PARTIES FOR EXAMINATION WITHOUT TEKNION CONSENT. THIS DRAWING MUST NOT BE SCALED OR USED FOR CONSTRUCTION PURPOSES





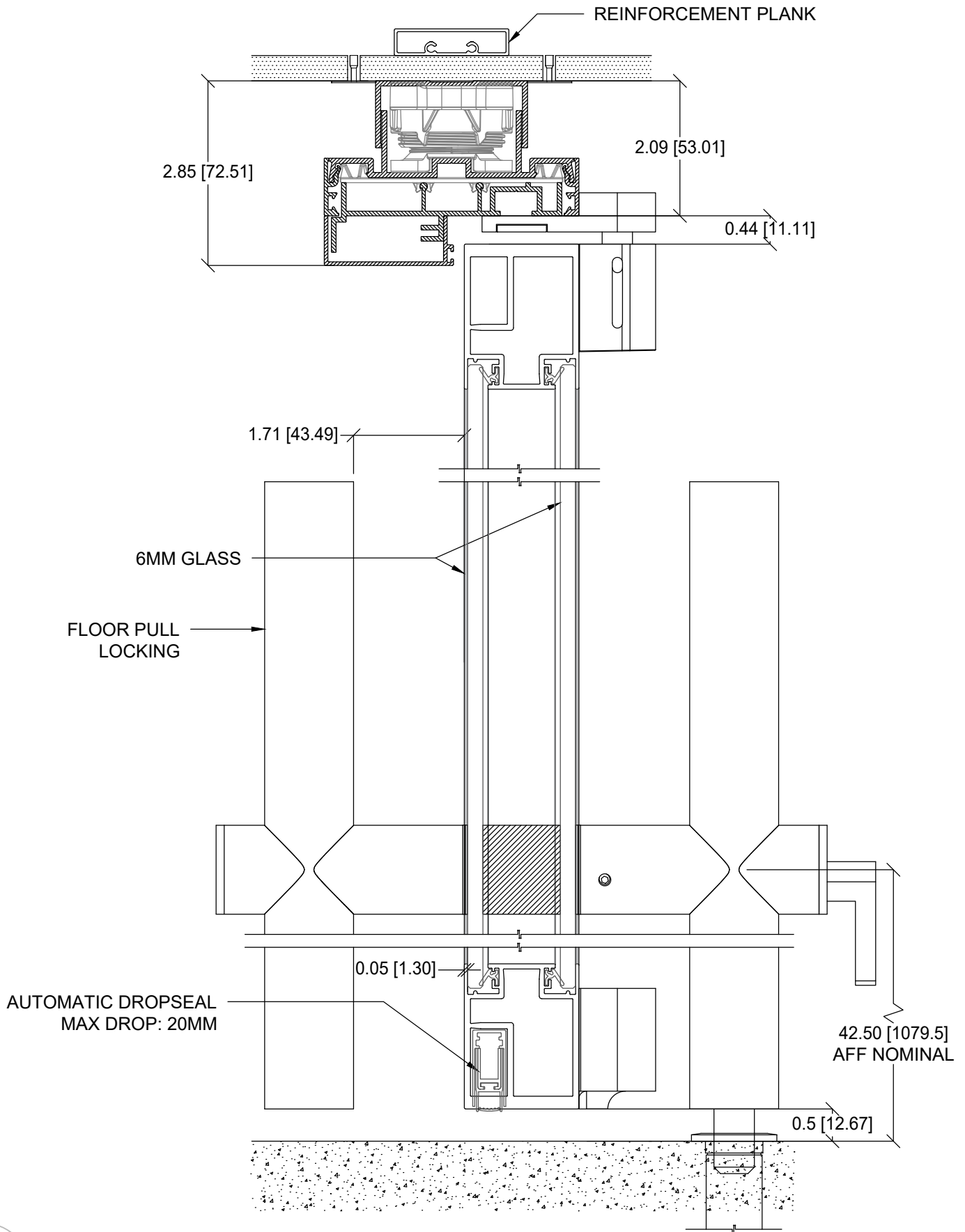
2/H
 B08

SINGLE LEAF 45MM, DOUBLE GLAZED PIVOT DOOR
 WITH JAMB AND CEILING PULL

FOCUS - SWING DOOR DETAILS

MODIFIED	September 22, 2025	UNIT	INCH	SCALE	1:8
----------	--------------------	------	------	-------	-----

THIS DRAWING IS THE PROPERTY OF TEKNION LIMITED AND IS SUBJECT TO RETURN UPON DEMAND. IT MUST NOT BE SUBMITTED TO ANY OUTSIDE PARTIES FOR EXAMINATION WITHOUT TEKNION CONSENT. THIS DRAWING MUST NOT BE SCALED OR USED FOR CONSTRUCTION PURPOSES



3/V
B08

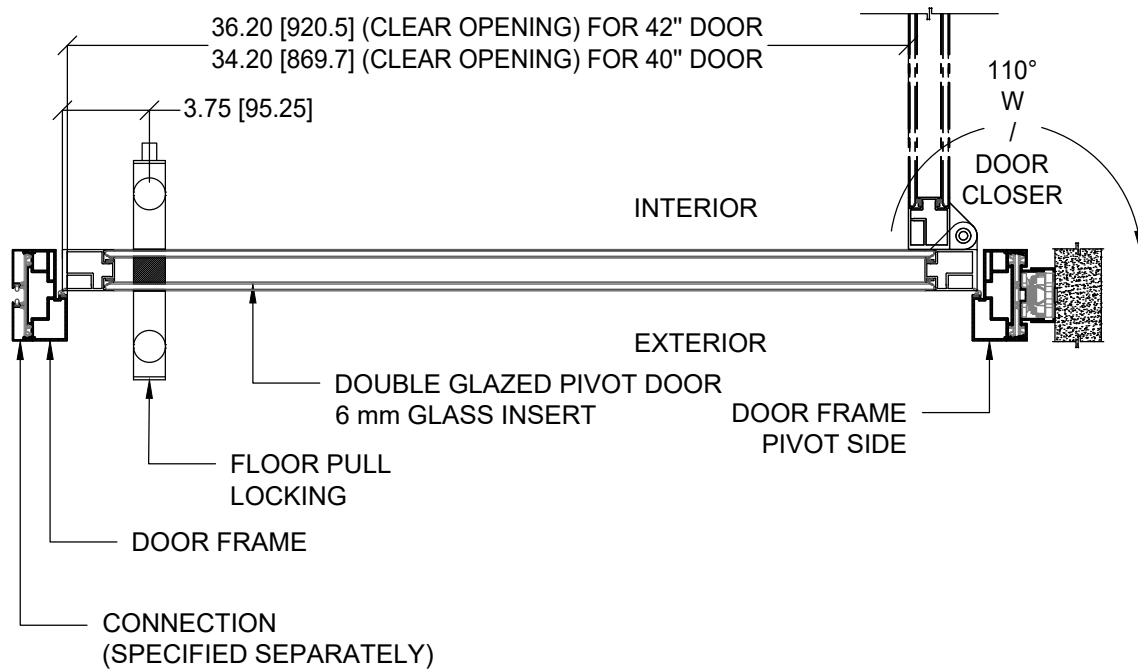
SINGLE LEAF 45MM, DOUBLE GLAZED PIVOT DOOR
WITH JAMB AND FLOOR PULL LOCKING

FOCUS - SWING DOOR DETAILS

MODIFIED	September 22, 2025	UNIT	INCH	SCALE	1:2
----------	--------------------	------	------	-------	-----

THIS DRAWING IS THE PROPERTY OF TEKNION LIMITED AND IS SUBJECT TO RETURN UPON DEMAND. IT MUST NOT BE SUBMITTED TO ANY OUTSIDE PARTIES FOR EXAMINATION WITHOUT TEKNION CONSENT. THIS DRAWING MUST NOT BE SCALED OR USED FOR CONSTRUCTION PURPOSES





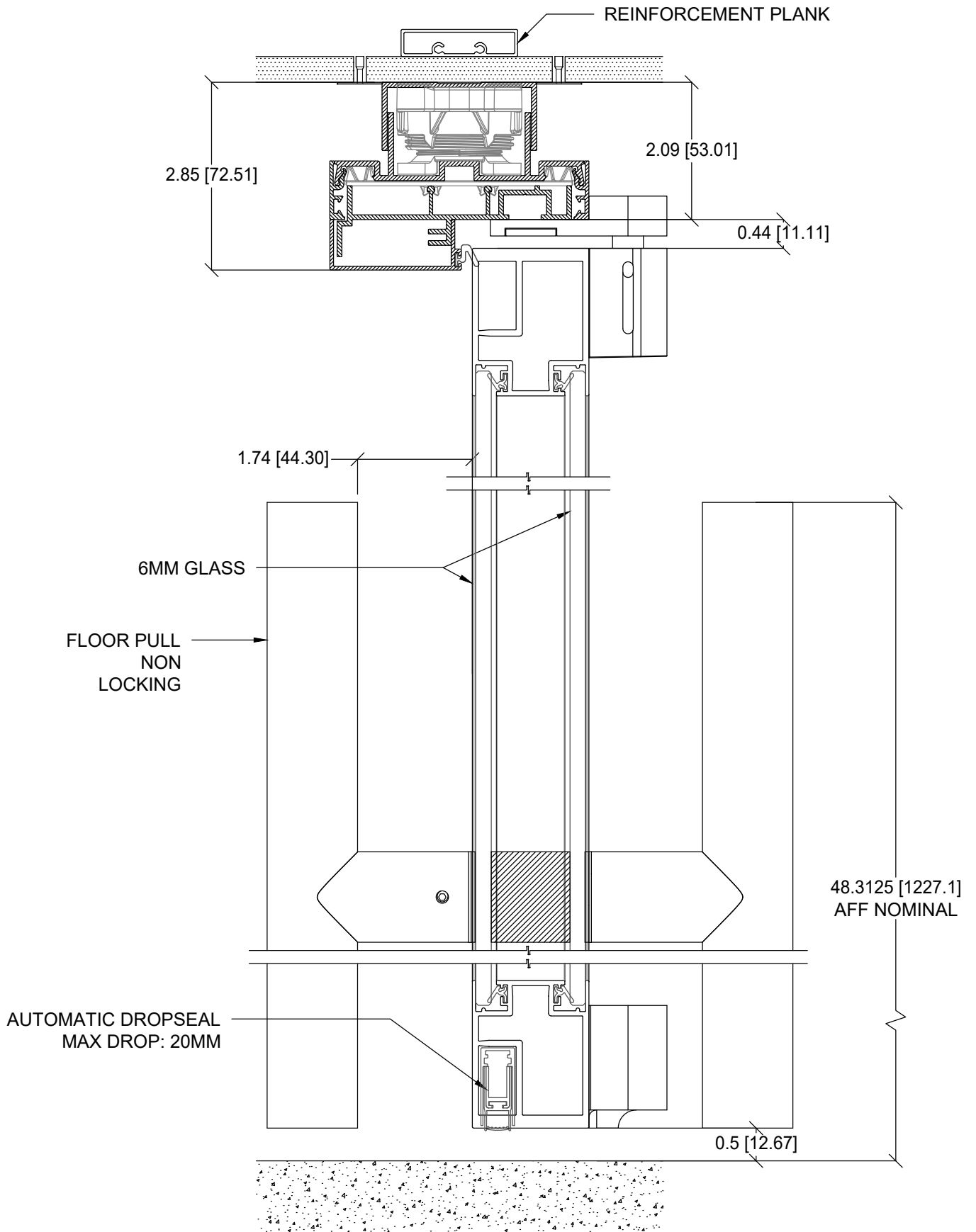
3/H
 B08

SINGLE LEAF 45MM, DOUBLE GLAZED PIVOT DOOR
 WITH JAMB AND FLOOR PULL LOCKING

FOCUS - SWING DOOR DETAILS

MODIFIED	September 22, 2025	UNIT	INCH	SCALE	1:8
----------	--------------------	------	------	-------	-----

THIS DRAWING IS THE PROPERTY OF TEKNION LIMITED AND IS SUBJECT TO RETURN UPON DEMAND. IT MUST NOT BE SUBMITTED TO ANY OUTSIDE PARTIES FOR EXAMINATION WITHOUT TEKNION CONSENT. THIS DRAWING MUST NOT BE SCALED OR USED FOR CONSTRUCTION PURPOSES



4/V
B08

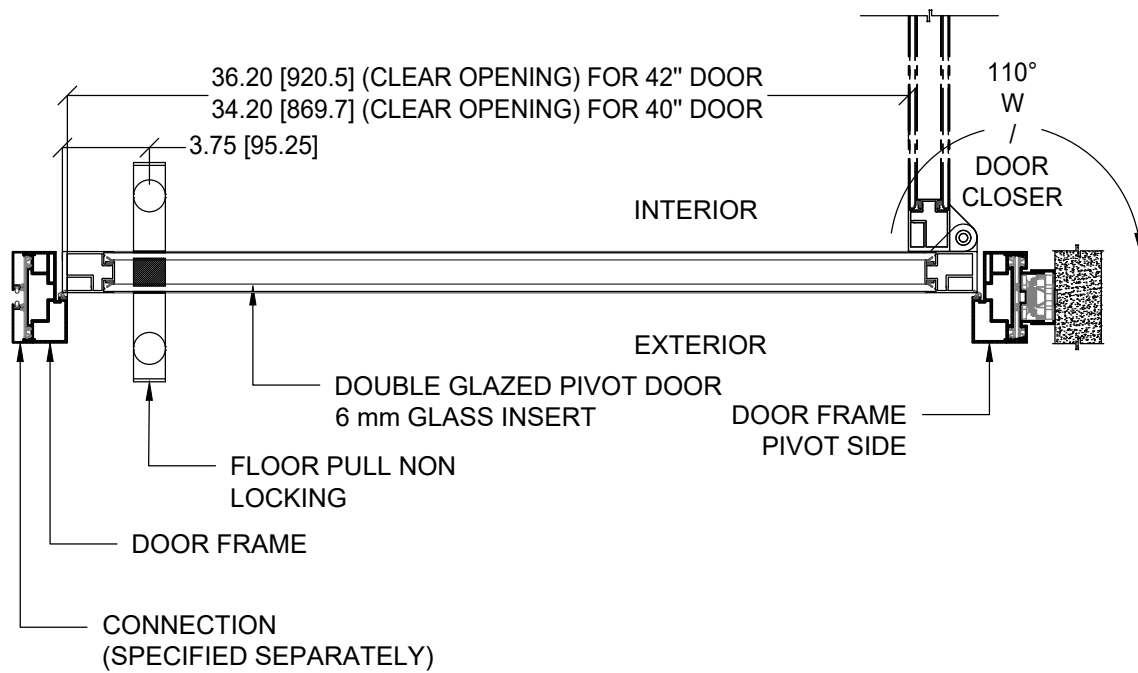
SINGLE LEAF 45MM, DOUBLE GLAZED PIVOT DOOR
WITH JAMB AND FLOOR PULL NON LOCKING

FOCUS - SWING DOOR DETAILS

MODIFIED	September 22, 2025	UNIT	INCH	SCALE	1:2
----------	--------------------	------	------	-------	-----

THIS DRAWING IS THE PROPERTY OF TEKNION LIMITED AND IS SUBJECT TO RETURN UPON DEMAND. IT MUST NOT BE SUBMITTED TO ANY OUTSIDE PARTIES FOR EXAMINATION WITHOUT TEKNION CONSENT. THIS DRAWING MUST NOT BE SCALED OR USED FOR CONSTRUCTION PURPOSES





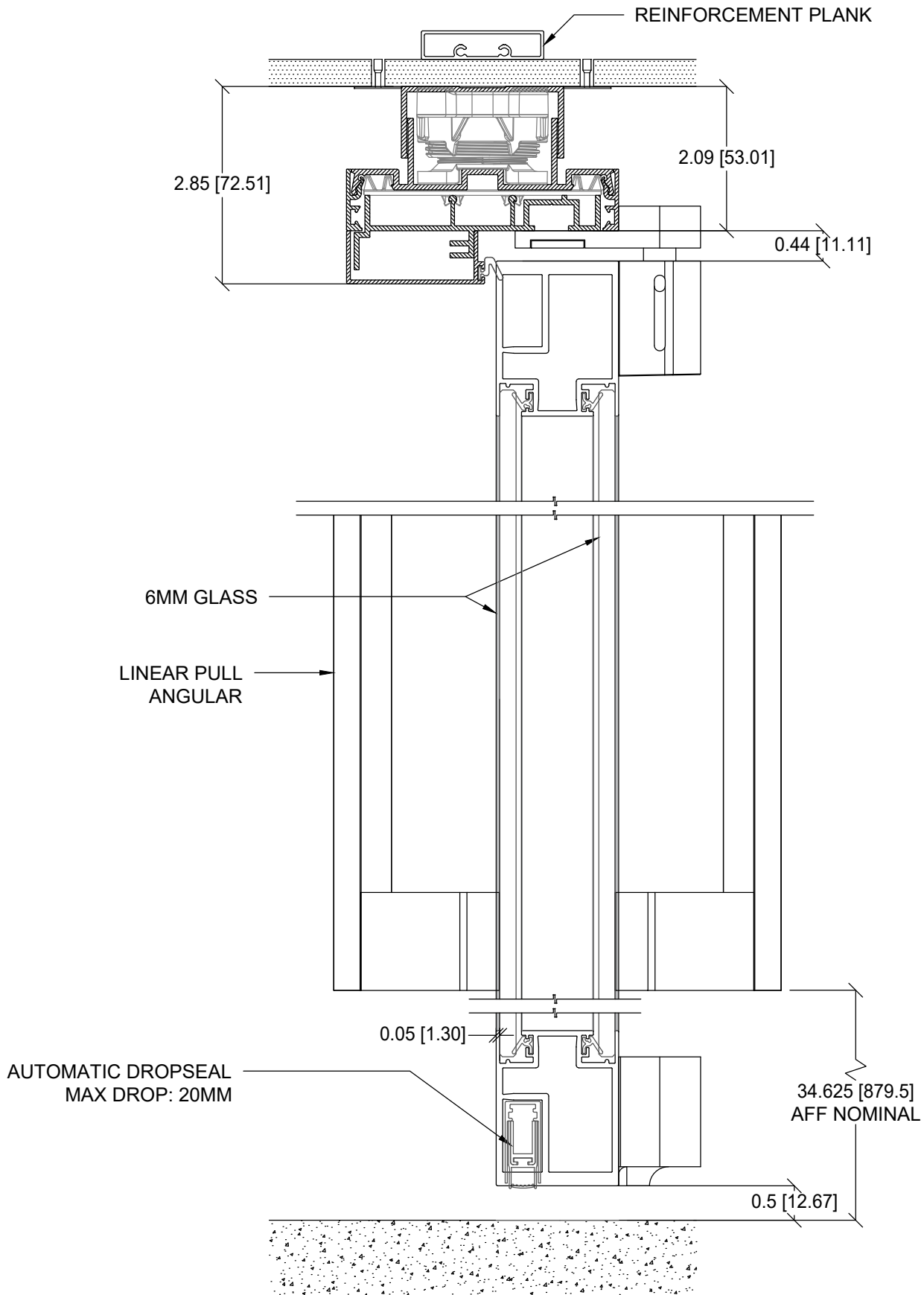
4/H
 B08

SINGLE LEAF 45MM, DOUBLE GLAZED PIVOT DOOR
 WITH JAMB AND FLOOR PULL NON LOCKING

FOCUS - SWING DOOR DETAILS

MODIFIED	September 22, 2025	UNIT	INCH	SCALE	1:8
----------	--------------------	------	------	-------	-----

THIS DRAWING IS THE PROPERTY OF TEKNION LIMITED AND IS SUBJECT TO RETURN UPON DEMAND. IT MUST NOT BE SUBMITTED TO ANY OUTSIDE PARTIES FOR EXAMINATION WITHOUT TEKNION CONSENT. THIS DRAWING MUST NOT BE SCALED OR USED FOR CONSTRUCTION PURPOSES



5/V
B08

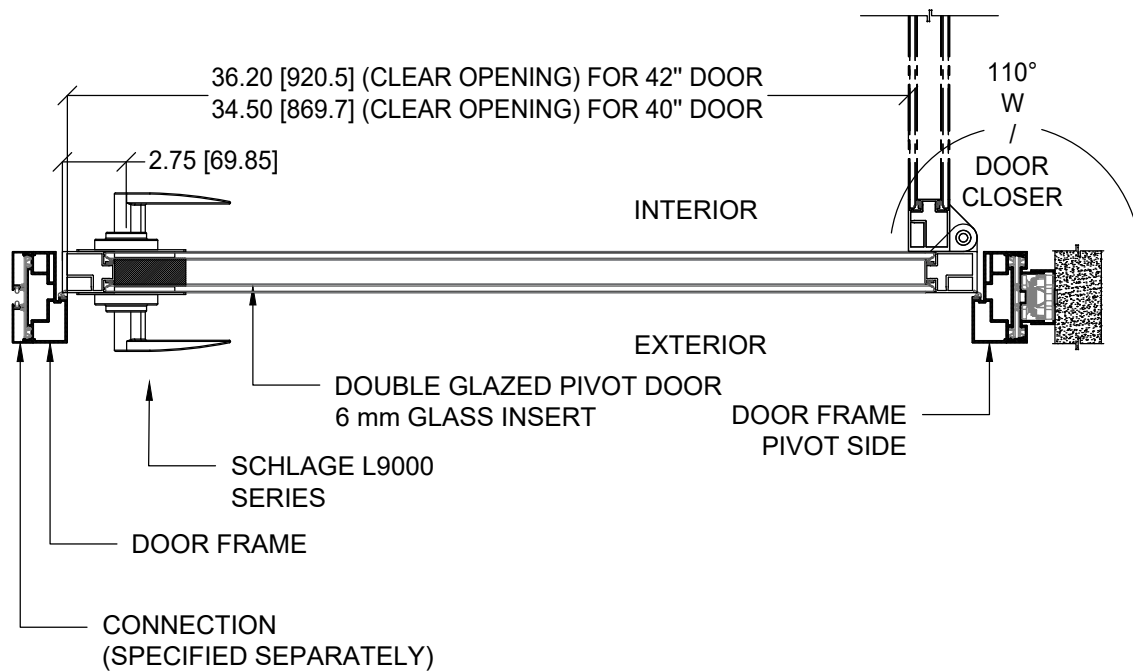
SINGLE LEAF 45MM, DOUBLE GLAZED PIVOT DOOR
WITH JAMB AND LINEAR PULL ANGULAR

FOCUS - SWING DOOR DETAILS

MODIFIED	September 22, 2025	UNIT	INCH	SCALE	1:2
----------	--------------------	------	------	-------	-----

THIS DRAWING IS THE PROPERTY OF TEKNION LIMITED AND IS SUBJECT TO RETURN UPON DEMAND. IT MUST NOT BE SUBMITTED TO ANY OUTSIDE PARTIES FOR EXAMINATION WITHOUT TEKNION CONSENT. THIS DRAWING MUST NOT BE SCALED OR USED FOR CONSTRUCTION PURPOSES





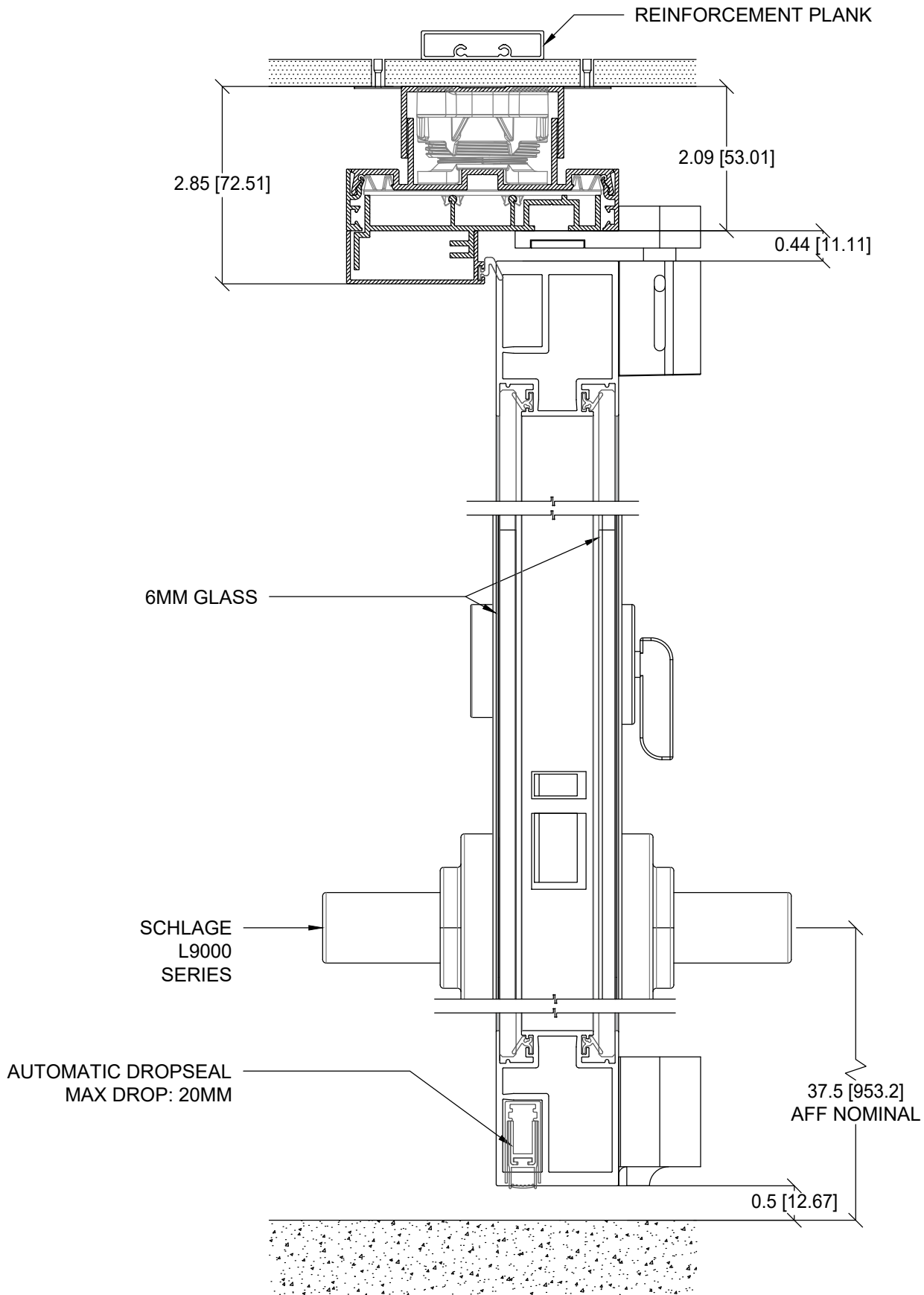
5/H
B08

SINGLE LEAF 45MM, DOUBLE GLAZED PIVOT DOOR
WITH JAMB AND MORTISE LOCK L SERIES

FOCUS - SWING DOOR DETAILS

MODIFIED	September 22, 2025	UNIT	INCH	SCALE	1:8
----------	--------------------	------	------	-------	-----

THIS DRAWING IS THE PROPERTY OF TEKNION LIMITED AND IS SUBJECT TO RETURN UPON DEMAND. IT MUST NOT BE SUBMITTED TO ANY OUTSIDE PARTIES FOR EXAMINATION WITHOUT TEKNION CONSENT. THIS DRAWING MUST NOT BE SCALED OR USED FOR CONSTRUCTION PURPOSES



5/V
B08

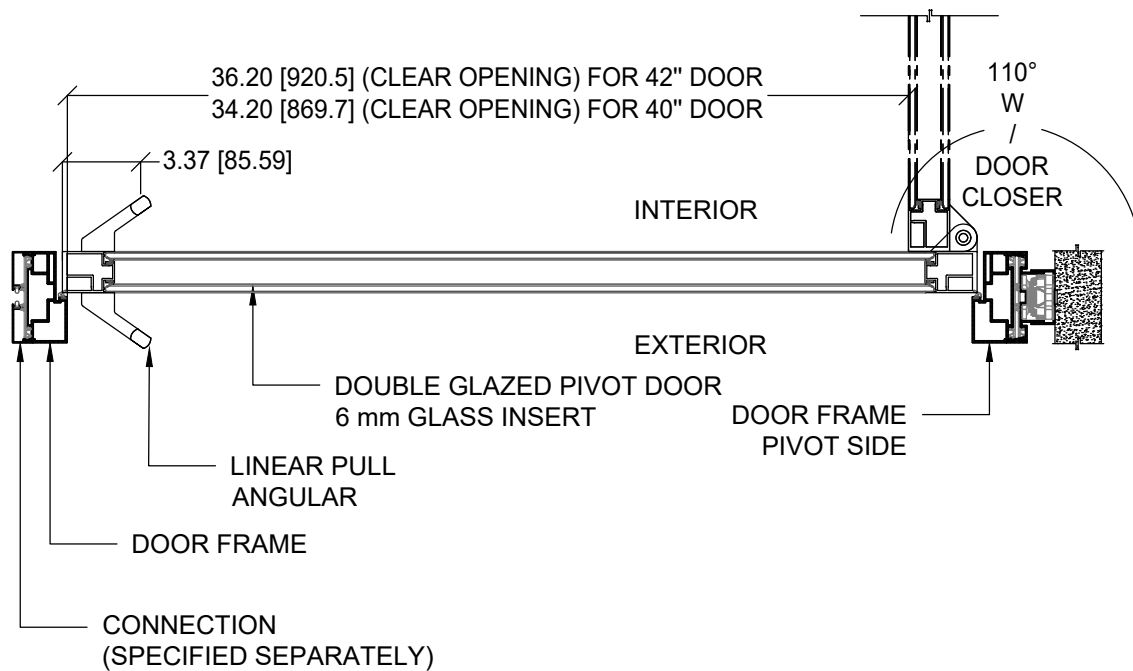
SINGLE LEAF 45MM, DOUBLE GLAZED PIVOT DOOR
WITH JAMB AND MORTISE LOCK L SERIES

FOCUS - SWING DOOR DETAILS

MODIFIED	September 22, 2025	UNIT	INCH	SCALE	1:2
----------	--------------------	------	------	-------	-----

THIS DRAWING IS THE PROPERTY OF TEKNION LIMITED AND IS SUBJECT TO RETURN UPON DEMAND. IT MUST NOT BE SUBMITTED TO ANY OUTSIDE PARTIES FOR EXAMINATION WITHOUT TEKNION CONSENT. THIS DRAWING MUST NOT BE SCALED OR USED FOR CONSTRUCTION PURPOSES





6/H
B08

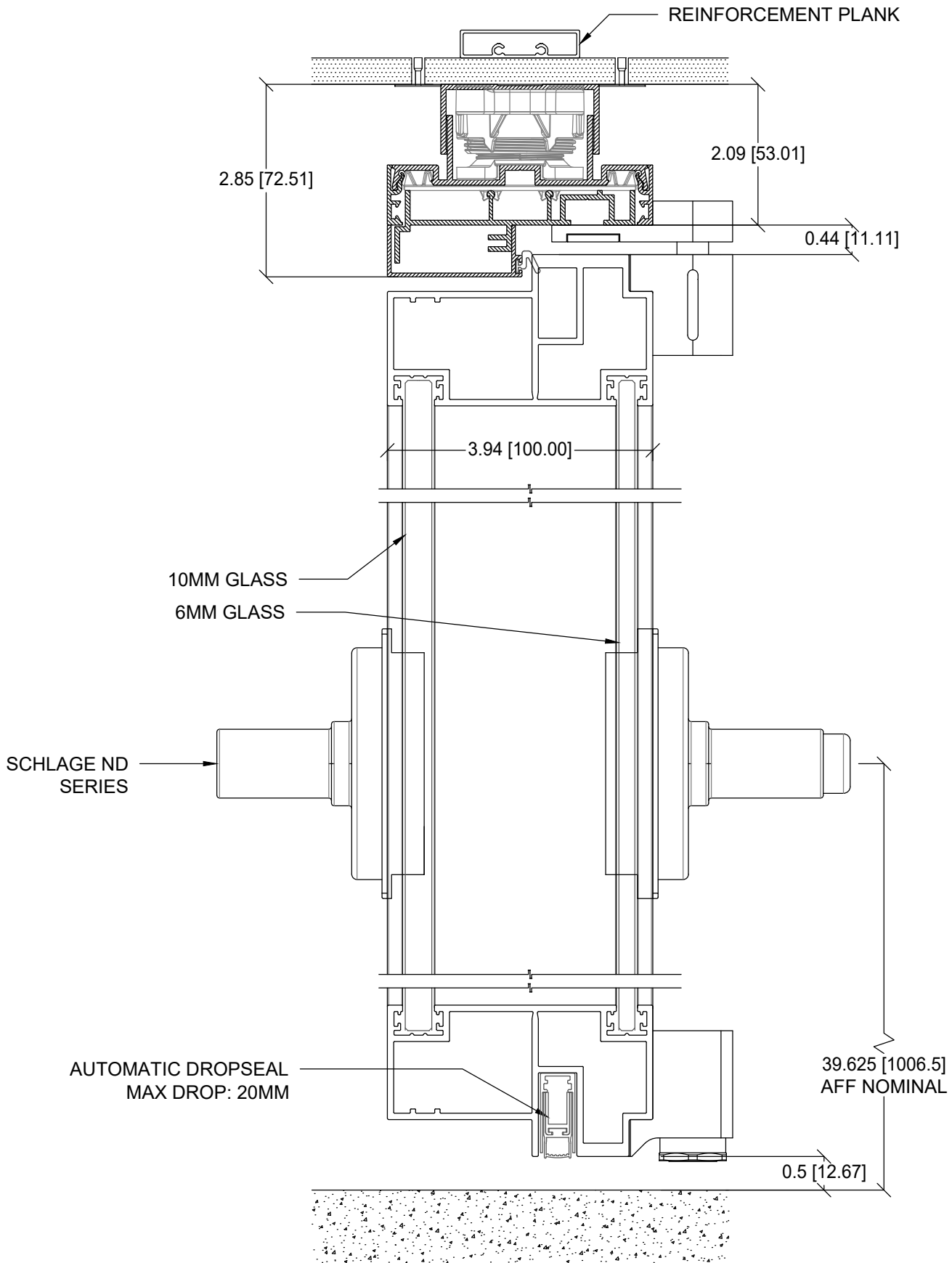
SINGLE LEAF 45MM, DOUBLE GLAZED PIVOT DOOR
WITH JAMB AND MORTISE LOCK L SERIES

FOCUS - SWING DOOR DETAILS

MODIFIED	September 22, 2025	UNIT	INCH	SCALE	1:8
----------	--------------------	------	------	-------	-----

THIS DRAWING IS THE PROPERTY OF TEKNION LIMITED AND IS SUBJECT TO RETURN UPON DEMAND. IT MUST NOT BE SUBMITTED TO ANY OUTSIDE PARTIES FOR EXAMINATION WITHOUT TEKNION CONSENT. THIS DRAWING MUST NOT BE SCALED OR USED FOR CONSTRUCTION PURPOSES





1/V
B09

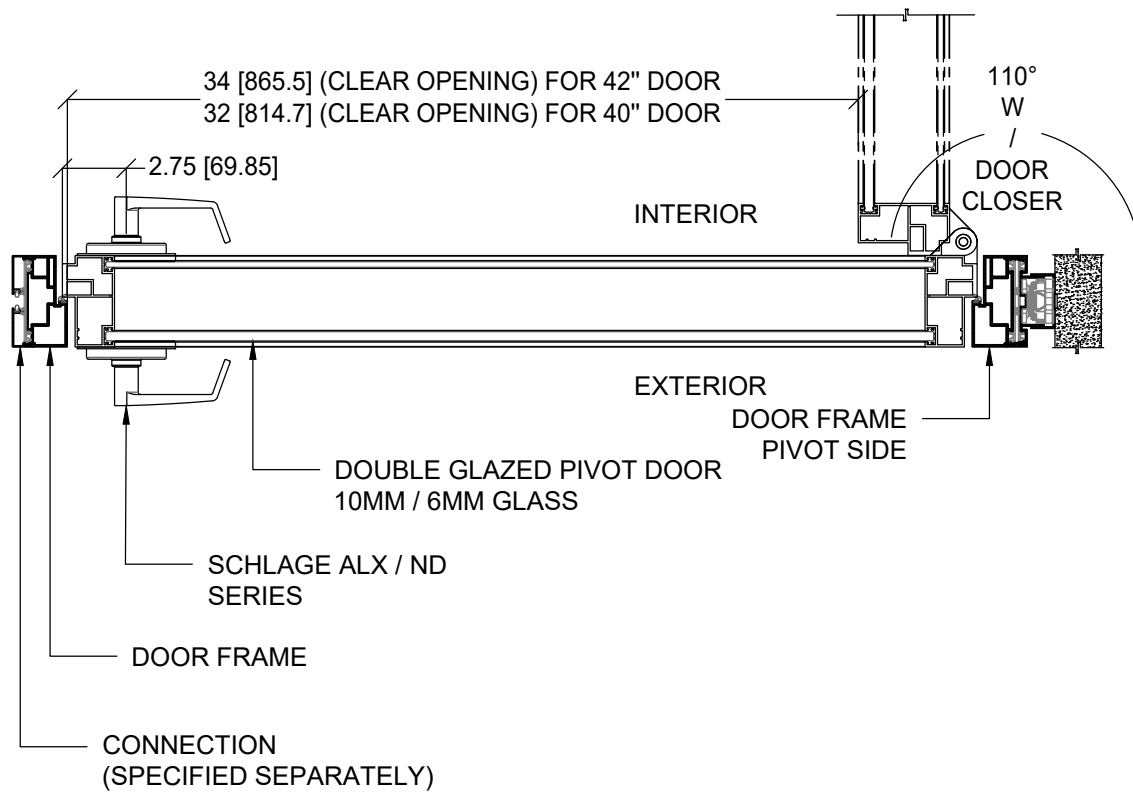
SINGLE LEAF 100MM, DOUBLE GLAZED PIVOT DOOR
WITH JAMB AND CYLINDRICAL LOCK ND

FOCUS - SWING DOOR DETAILS

MODIFIED	September 22, 2025	UNIT	INCH	SCALE	1:2
----------	--------------------	------	------	-------	-----

THIS DRAWING IS THE PROPERTY OF TEKNION LIMITED AND IS SUBJECT TO RETURN UPON DEMAND. IT MUST NOT BE SUBMITTED TO ANY OUTSIDE PARTIES FOR EXAMINATION WITHOUT TEKNION CONSENT. THIS DRAWING MUST NOT BE SCALED OR USED FOR CONSTRUCTION PURPOSES





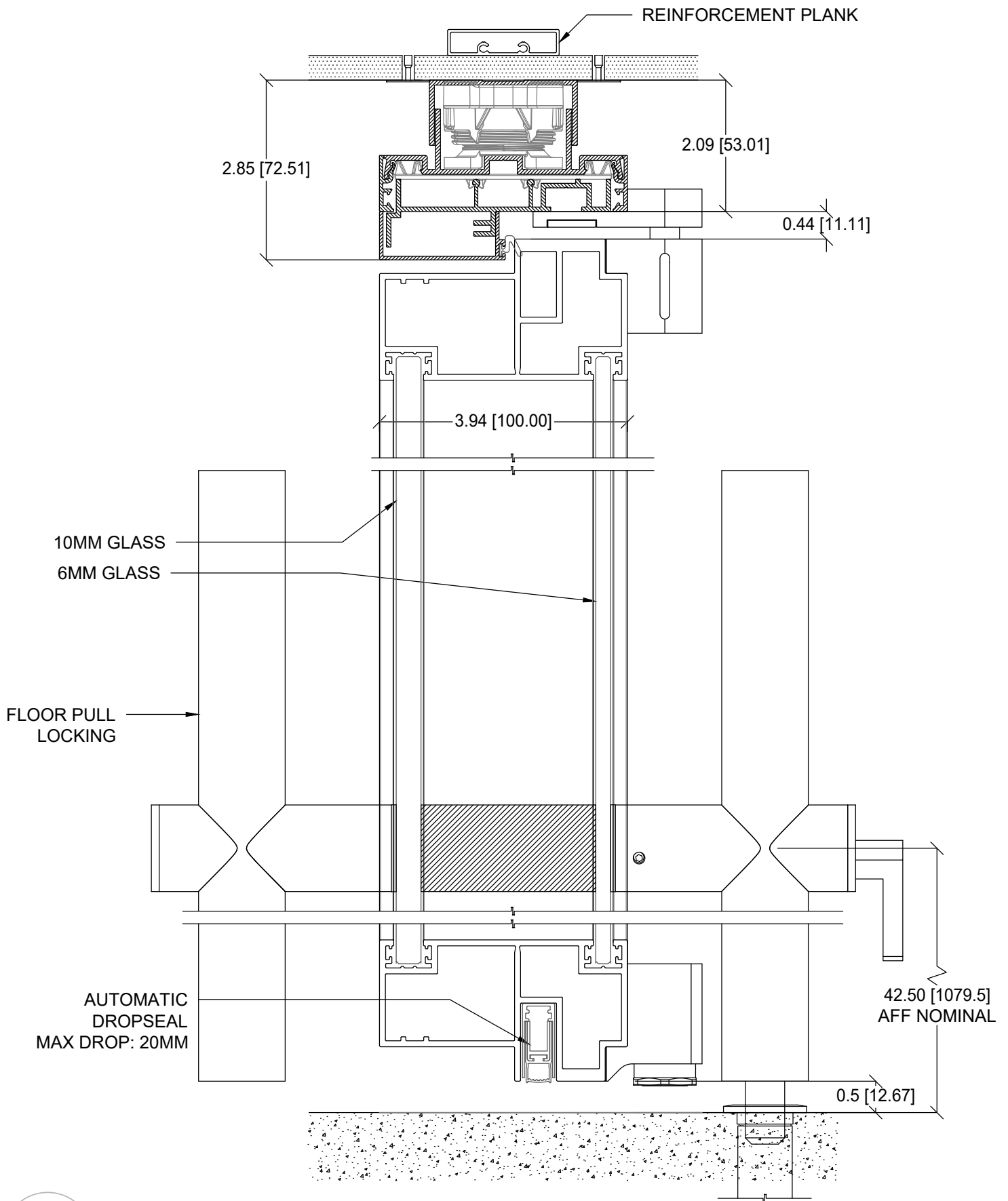
1/H
 B09

SINGLE LEAF 100MM, DOUBLE GLAZED PIVOT DOOR
 WITH JAMB AND ALX / ND SERIES

FOCUS - SWING DOOR DETAILS

MODIFIED	September 22, 2025	UNIT	INCH	SCALE	1:8
----------	--------------------	------	------	-------	-----

THIS DRAWING IS THE PROPERTY OF TEKNION LIMITED AND IS SUBJECT TO RETURN UPON DEMAND. IT MUST NOT BE SUBMITTED TO ANY OUTSIDE PARTIES FOR EXAMINATION WITHOUT TEKNION CONSENT. THIS DRAWING MUST NOT BE SCALED OR USED FOR CONSTRUCTION PURPOSES



2/V SINGLE LEAF 100MM, DOUBLE GLAZED PIVOT DOOR
 B09 WITH JAMB AND FLOOR PULL LOCKING

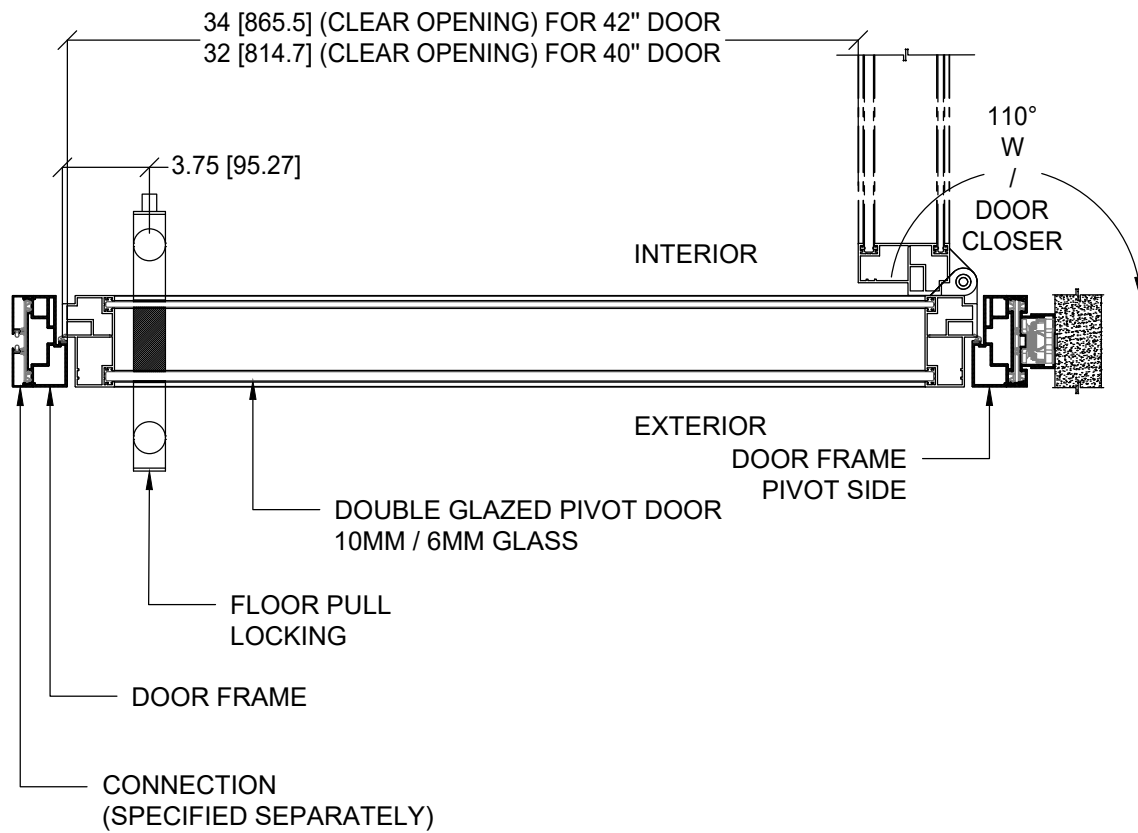
FOCUS - SWING DOOR DETAILS

MODIFIED	September 22, 2025	UNIT	INCH	SCALE	1:2
----------	--------------------	------	------	-------	-----

THIS DRAWING IS THE PROPERTY OF TEKNION LIMITED AND IS SUBJECT TO RETURN UPON DEMAND. IT MUST NOT BE SUBMITTED TO ANY OUTSIDE PARTIES FOR EXAMINATION WITHOUT TEKNION CONSENT. THIS DRAWING MUST NOT BE SCALED OR USED FOR CONSTRUCTION PURPOSES

teknion

Publish Date: Jan 14, 2026



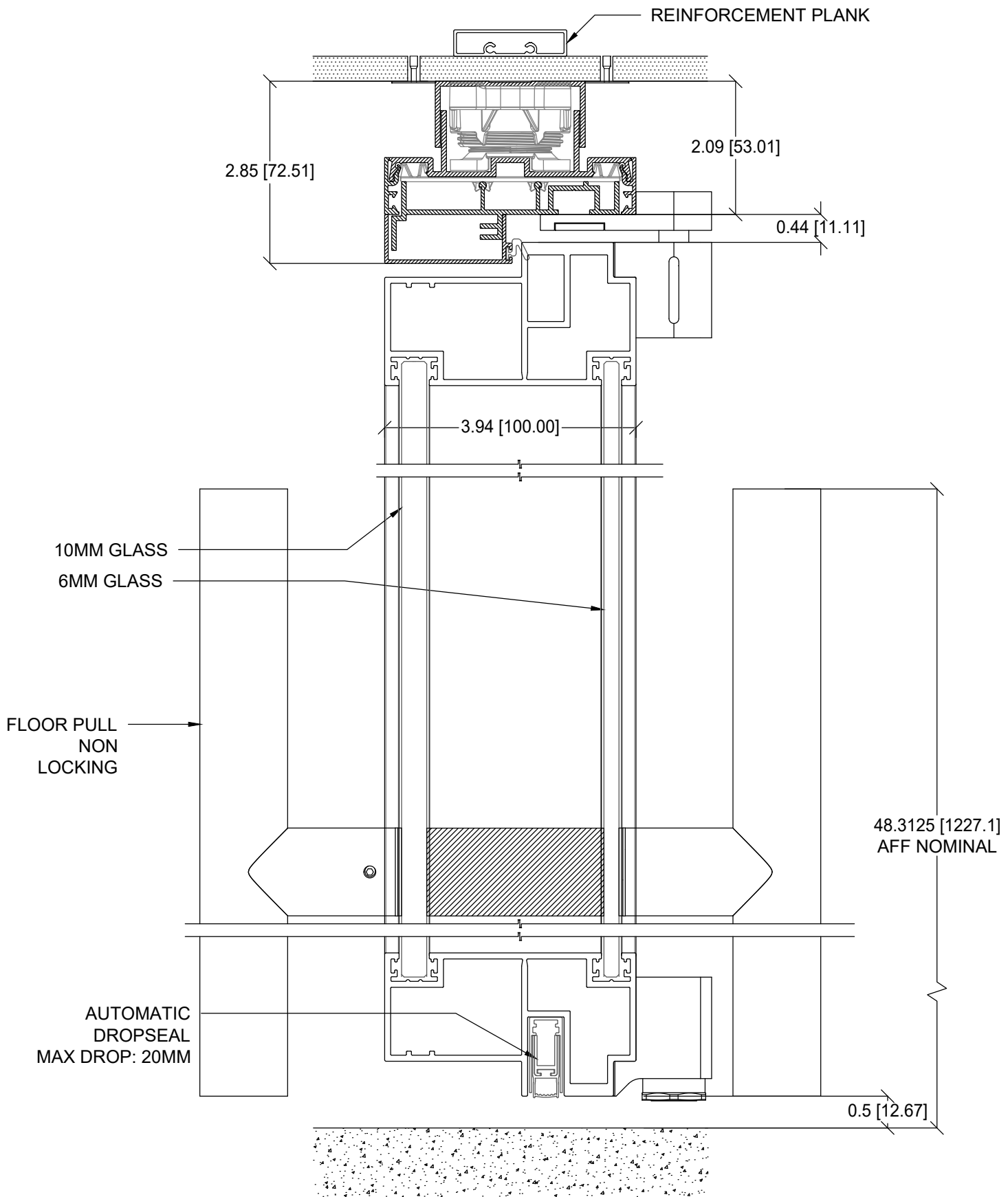
2/H
 B09

SINGLE LEAF 100MM, DOUBLE GLAZED PIVOT DOOR
 WITH JAMB AND FLOOR PULL LOCKING

FOCUS - SWING DOOR DETAILS

MODIFIED	September 22, 2025	UNIT	INCH	SCALE	1:8
----------	--------------------	------	------	-------	-----

THIS DRAWING IS THE PROPERTY OF TEKNION LIMITED AND IS SUBJECT TO RETURN UPON DEMAND. IT MUST NOT BE SUBMITTED TO ANY OUTSIDE PARTIES FOR EXAMINATION WITHOUT TEKNION CONSENT. THIS DRAWING MUST NOT BE SCALED OR USED FOR CONSTRUCTION PURPOSES



3/V SINGLE LEAF 100MM, DOUBLE GLAZED PIVOT DOOR
 B09 WITH JAMB AND FLOOR PULL NON LOCKING

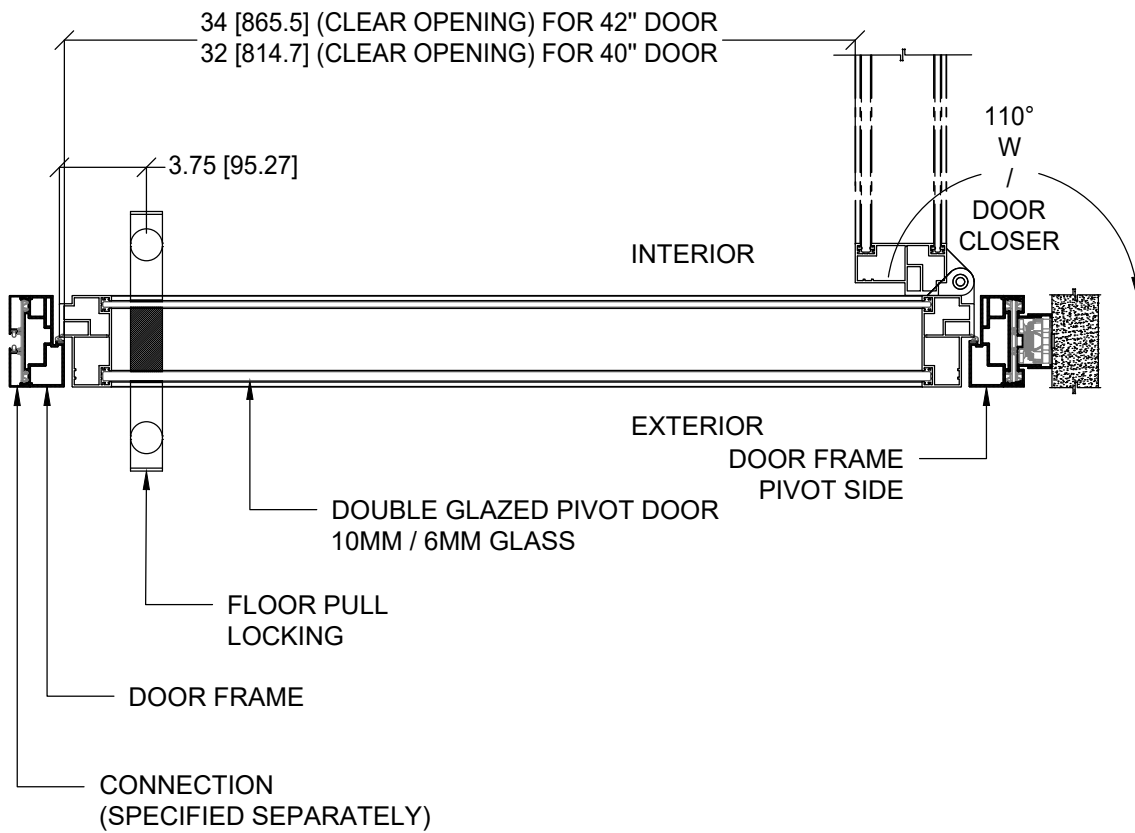
FOCUS - SWING DOOR DETAILS

MODIFIED	September 22, 2025	UNIT	INCH	SCALE	1:2
----------	--------------------	------	------	-------	-----

THIS DRAWING IS THE PROPERTY OF TEKNION LIMITED AND IS SUBJECT TO RETURN UPON DEMAND. IT MUST NOT BE SUBMITTED TO ANY OUTSIDE PARTIES FOR EXAMINATION WITHOUT TEKNION CONSENT. THIS DRAWING MUST NOT BE SCALED OR USED FOR CONSTRUCTION PURPOSES



Publish Date: Jan 14, 2026



3/H
 B09

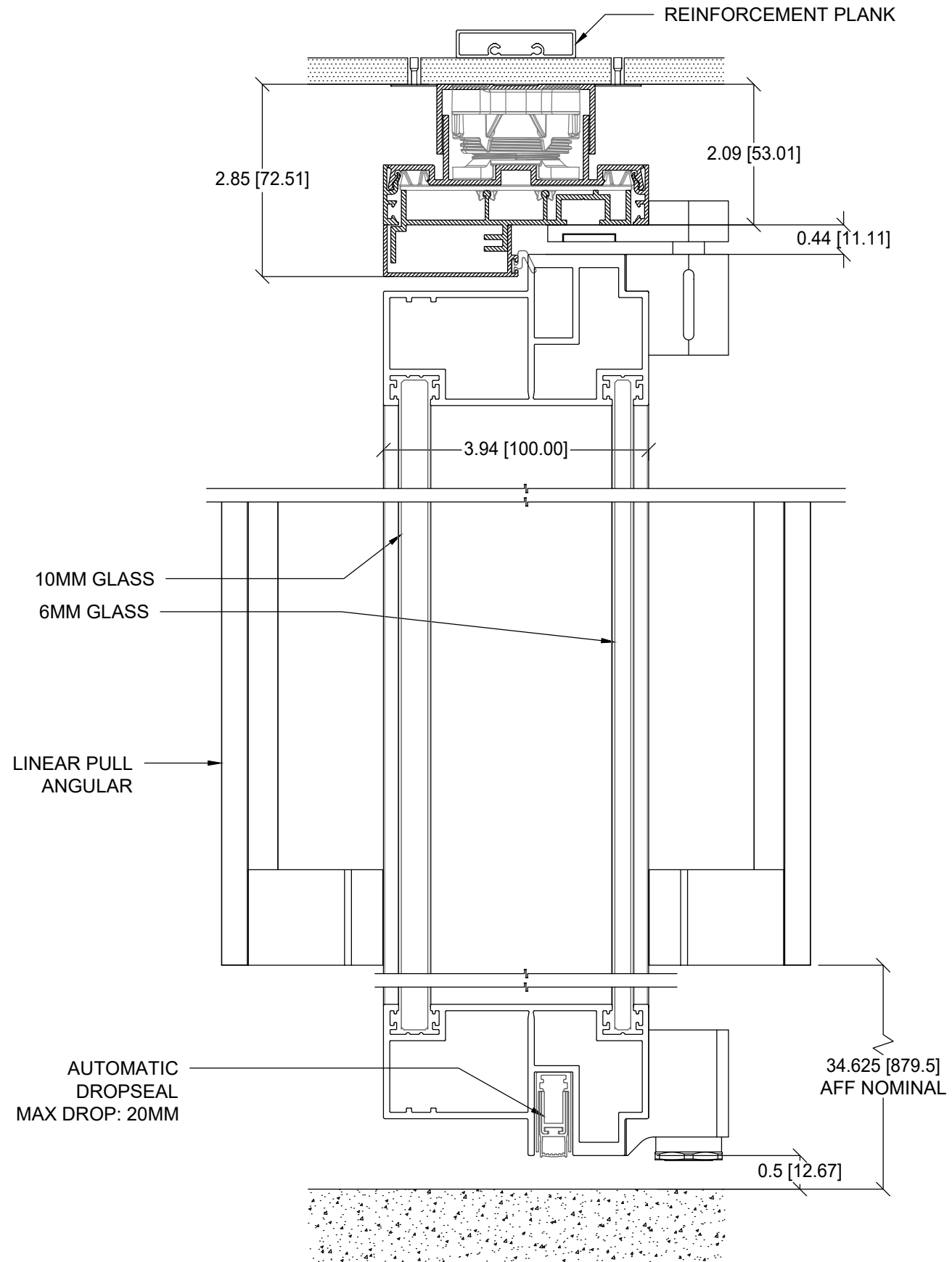
SINGLE LEAF 100MM, DOUBLE GLAZED PIVOT DOOR
 WITH JAMB AND FLOOR PULL NON LOCKING

FOCUS - SWING DOOR DETAILS

MODIFIED	September 22, 2025	UNIT	INCH	SCALE	1:8
----------	--------------------	------	------	-------	-----

THIS DRAWING IS THE PROPERTY OF TEKNION LIMITED AND IS SUBJECT TO RETURN UPON DEMAND. IT MUST NOT BE SUBMITTED TO ANY OUTSIDE PARTIES FOR EXAMINATION WITHOUT TEKNION CONSENT. THIS DRAWING MUST NOT BE SCALED OR USED FOR CONSTRUCTION PURPOSES





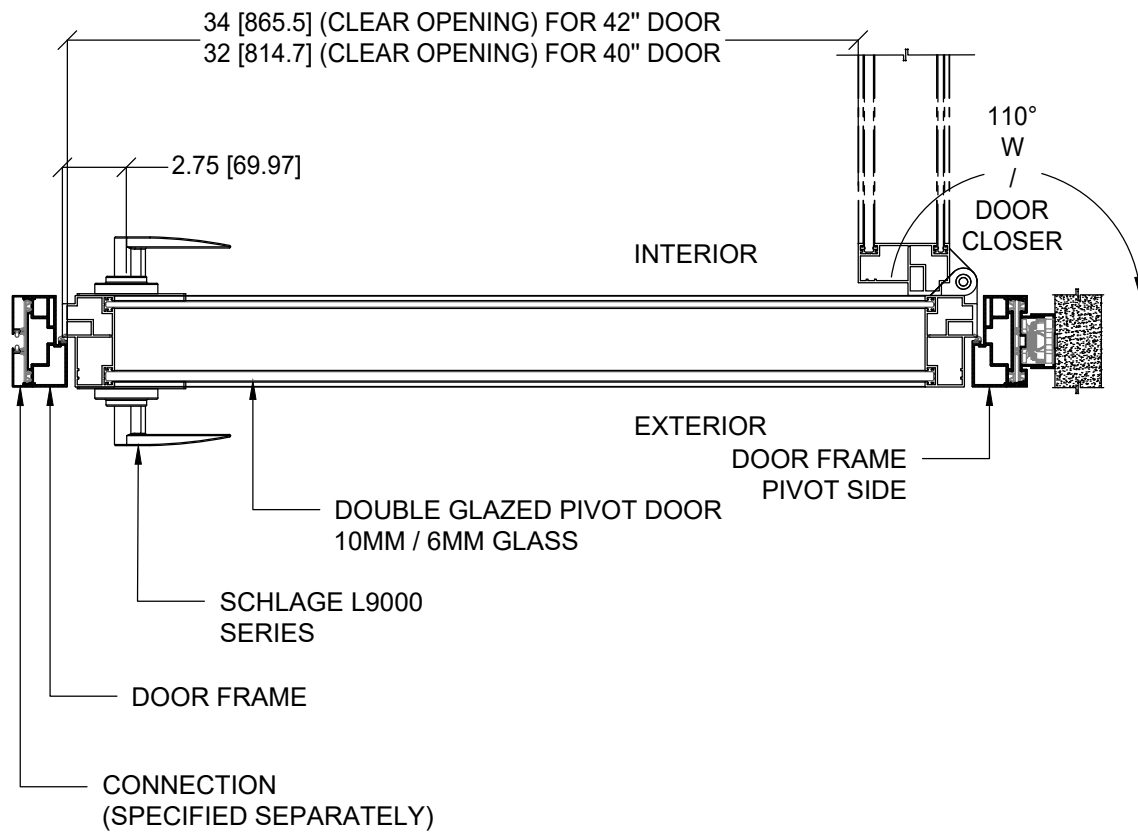
4/V
B09

SINGLE LEAF 100MM, DOUBLE GLAZED PIVOT DOOR
WITH JAMB AND LINEAR PULL ANGULAR

FOCUS - SWING DOOR DETAILS

MODIFIED	September 22, 2025	UNIT	INCH	SCALE	1:2
----------	--------------------	------	------	-------	-----

THIS DRAWING IS THE PROPERTY OF TEKNION LIMITED AND IS SUBJECT TO RETURN UPON DEMAND. IT MUST NOT BE SUBMITTED TO ANY OUTSIDE PARTIES FOR EXAMINATION WITHOUT TEKNION CONSENT. THIS DRAWING MUST NOT BE SCALED OR USED FOR CONSTRUCTION PURPOSES



5/H
 B09

SINGLE LEAF 100MM, DOUBLE GLAZED PIVOT DOOR
 WITH JAMB AND MORTISE LOCK L SERIES

FOCUS - SWING DOOR DETAILS

MODIFIED	September 22, 2025	UNIT	INCH	SCALE	1:8
----------	--------------------	------	------	-------	-----

THIS DRAWING IS THE PROPERTY OF TEKNION LIMITED AND IS SUBJECT TO RETURN UPON DEMAND. IT MUST NOT BE SUBMITTED TO ANY OUTSIDE PARTIES FOR EXAMINATION WITHOUT TEKNION CONSENT. THIS DRAWING MUST NOT BE SCALED OR USED FOR CONSTRUCTION PURPOSES

REINFORCEMENT PLANK

2.85 [72.51]

2.09 [53.01]

0.44 [11.11]

3.94 [100.00]

10MM GLASS

6MM GLASS

SCHLAGE
L9000
SERIES

AUTOMATIC
DROPSEAL
MAX DROP: 20MM

37.5 [953.2]
AFF NOMINAL

0.5 [12.67]

5/V

SINGLE LEAF 100MM, DOUBLE GLAZED PIVOT DOOR

B09

WITH JAMB AND MORTISE LOCK L SERIES

FOCUS - SWING DOOR DETAILS

MODIFIED

September 22, 2025

UNIT

INCH

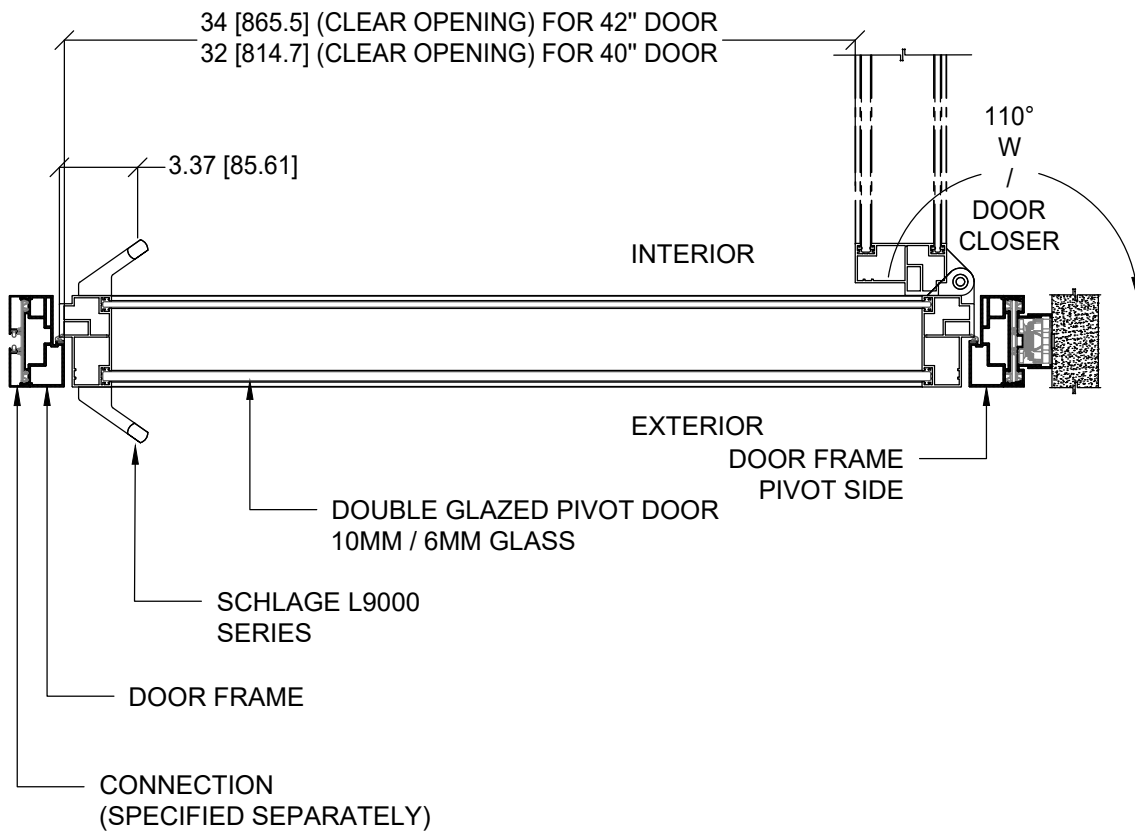
SCALE

1:2

THIS DRAWING IS THE PROPERTY OF TEKNION LIMITED AND IS SUBJECT TO RETURN UPON DEMAND. IT MUST NOT BE SUBMITTED TO ANY OUTSIDE PARTIES FOR EXAMINATION WITHOUT TEKNION CONSENT. THIS DRAWING MUST NOT BE SCALED OR USED FOR CONSTRUCTION PURPOSES

teknion

Publish Date: Jan 14, 2026



5/H
 B09

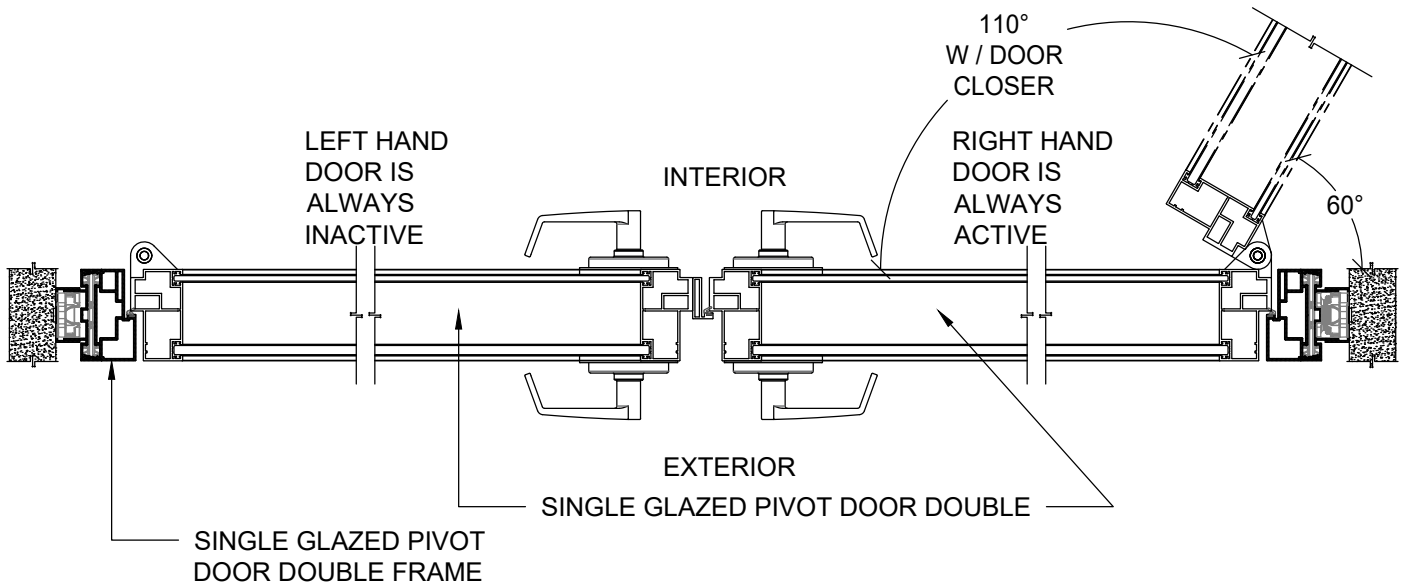
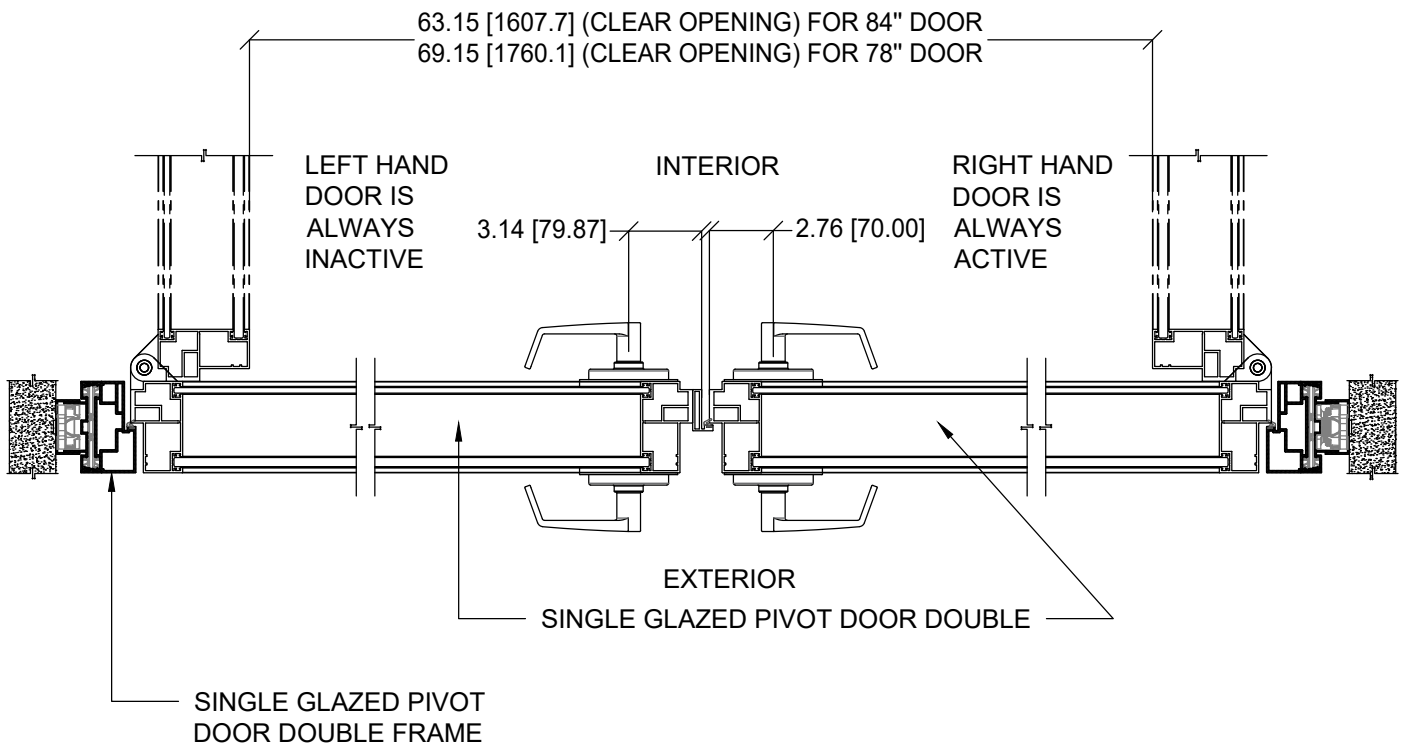
SINGLE LEAF 100MM, DOUBLE GLAZED PIVOT DOOR
 WITH JAMB AND LINEAR PULL ANGULAR

FOCUS - SWING DOOR DETAILS

MODIFIED	September 22, 2025	UNIT	INCH	SCALE	1:8
----------	--------------------	------	------	-------	-----

THIS DRAWING IS THE PROPERTY OF TEKNION LIMITED AND IS SUBJECT TO RETURN UPON DEMAND. IT MUST NOT BE SUBMITTED TO ANY OUTSIDE PARTIES FOR EXAMINATION WITHOUT TEKNION CONSENT. THIS DRAWING MUST NOT BE SCALED OR USED FOR CONSTRUCTION PURPOSES





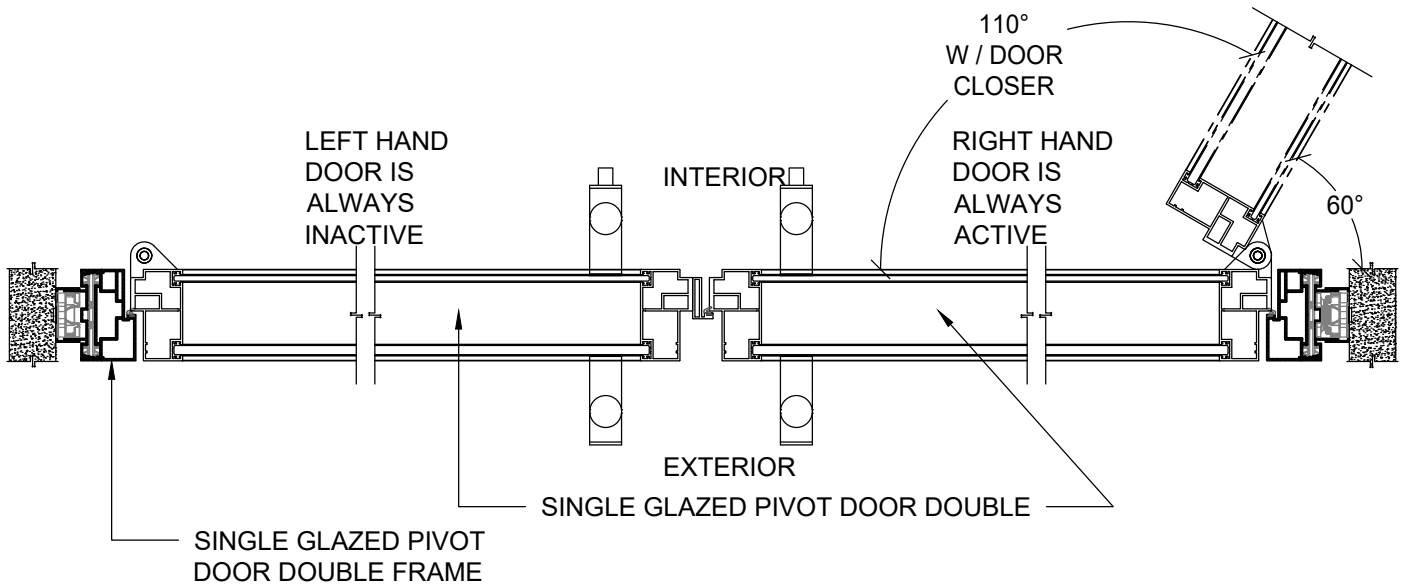
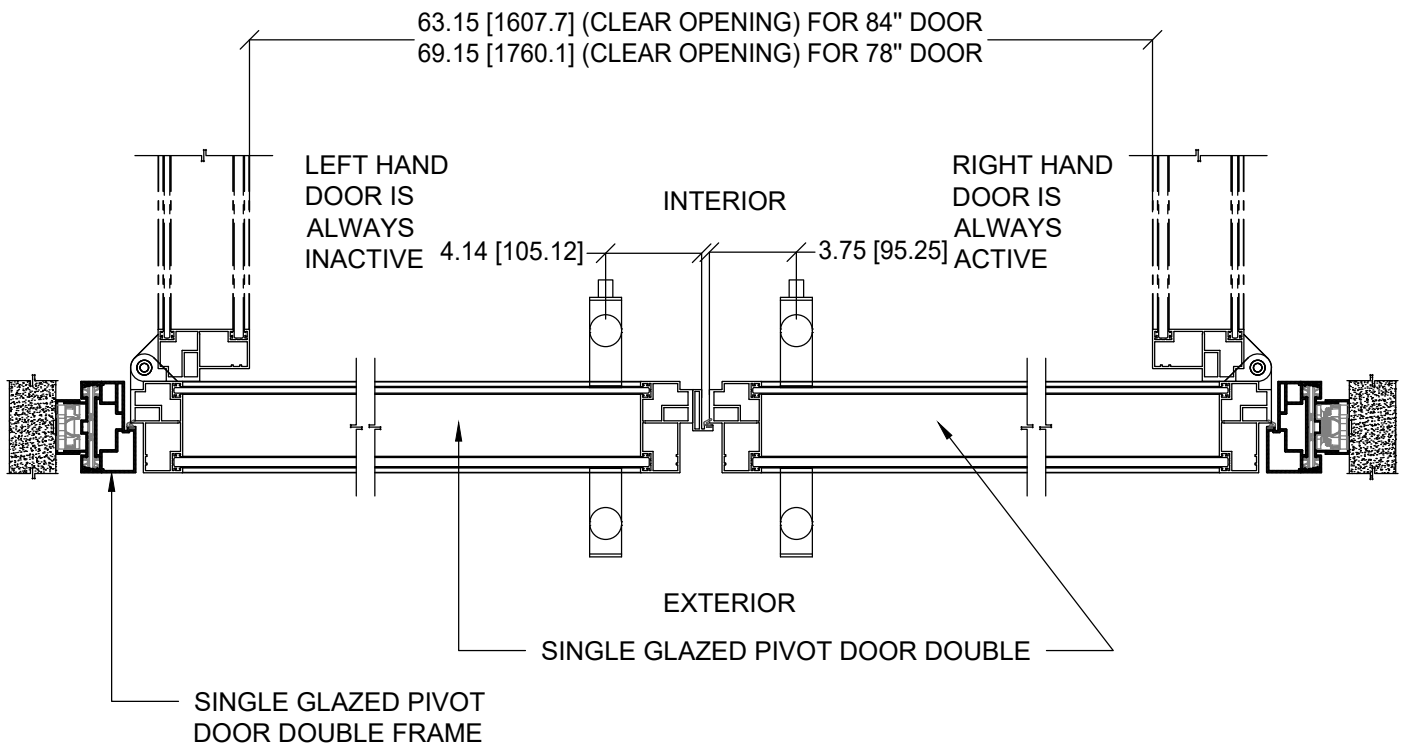
1/H DOUBLE LEAF 100MM, DOUBLE GLAZED PIVOT DOOR
 B10 WITH JAMB AND CYLINDRICAL LOCK ALX/ND

FOCUS - SWING DOOR DETAILS

MODIFIED	September 22, 2025	UNIT	INCH	SCALE	1:8
----------	--------------------	------	------	-------	-----

THIS DRAWING IS THE PROPERTY OF TEKNION LIMITED AND IS SUBJECT TO RETURN UPON DEMAND. IT MUST NOT BE SUBMITTED TO ANY OUTSIDE PARTIES FOR EXAMINATION WITHOUT TEKNION CONSENT. THIS DRAWING MUST NOT BE SCALED OR USED FOR CONSTRUCTION PURPOSES





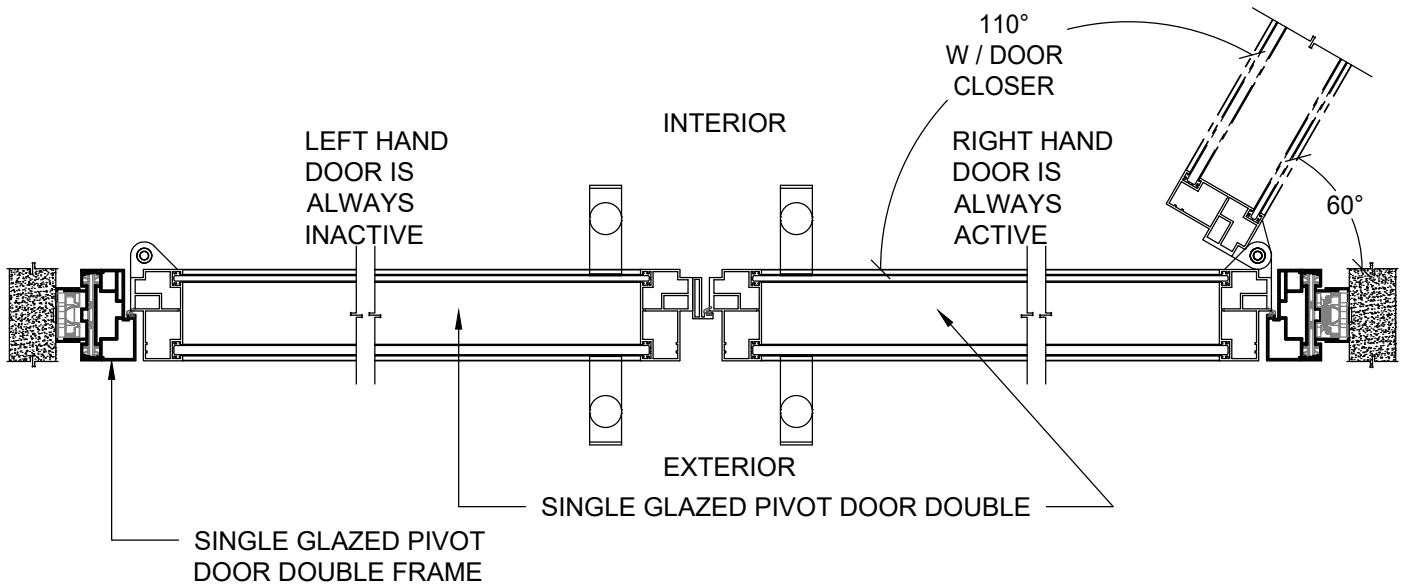
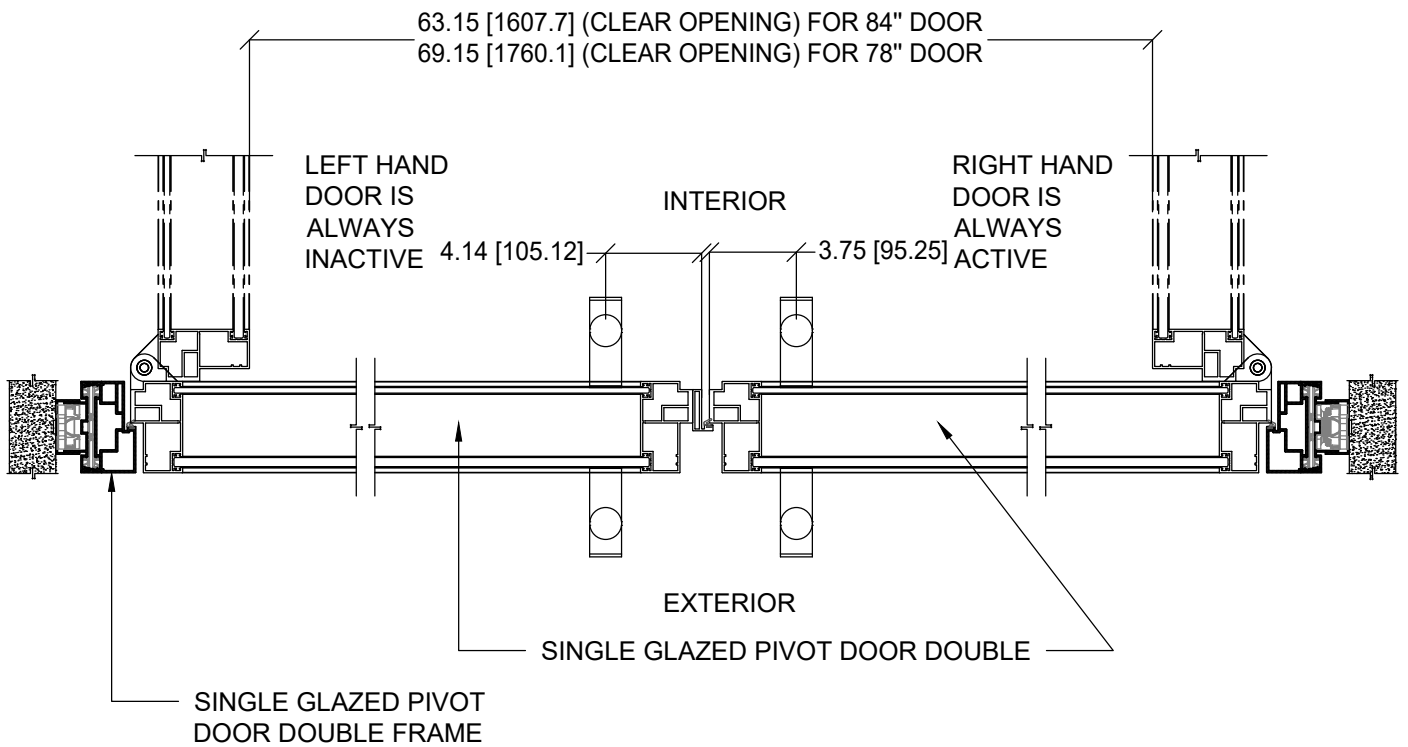
2/H DOUBLE LEAF 100MM, DOUBLE GLAZED PIVOT DOOR
 B10 WITH JAMB AND FLOOR PULL LOCKING

FOCUS - SWING DOOR DETAILS

MODIFIED	September 22, 2025	UNIT	INCH	SCALE	1:8
----------	--------------------	------	------	-------	-----

THIS DRAWING IS THE PROPERTY OF TEKNION LIMITED AND IS SUBJECT TO RETURN UPON DEMAND. IT MUST NOT BE SUBMITTED TO ANY OUTSIDE PARTIES FOR EXAMINATION WITHOUT TEKNION CONSENT. THIS DRAWING MUST NOT BE SCALED OR USED FOR CONSTRUCTION PURPOSES





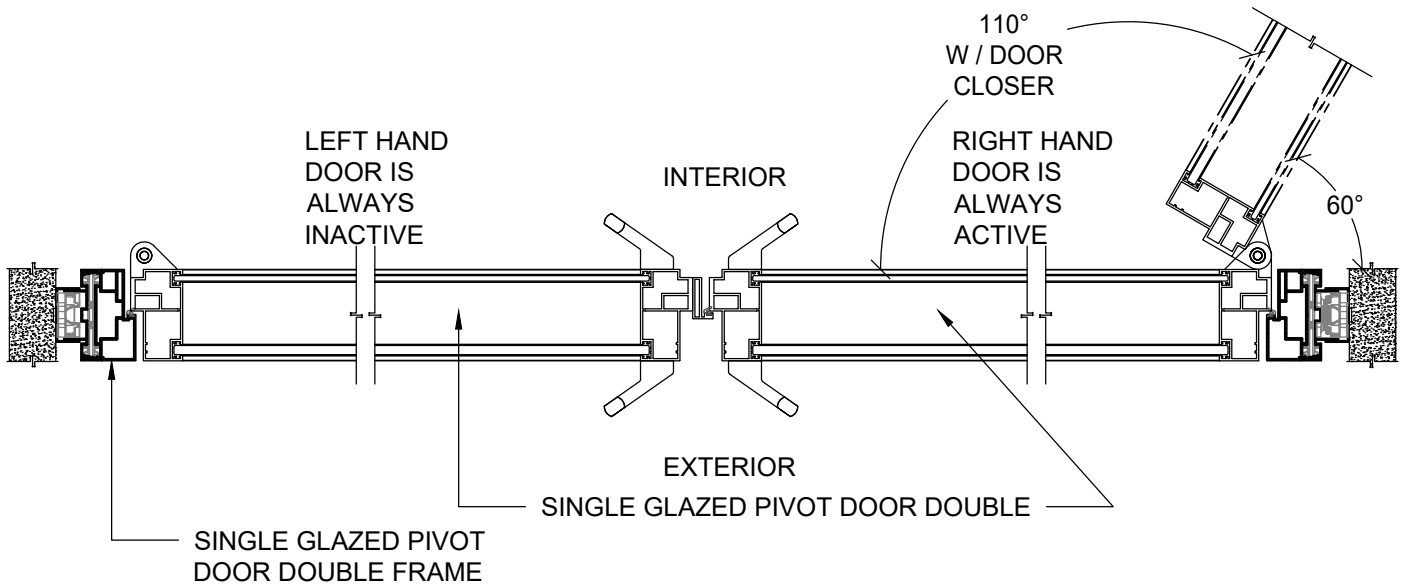
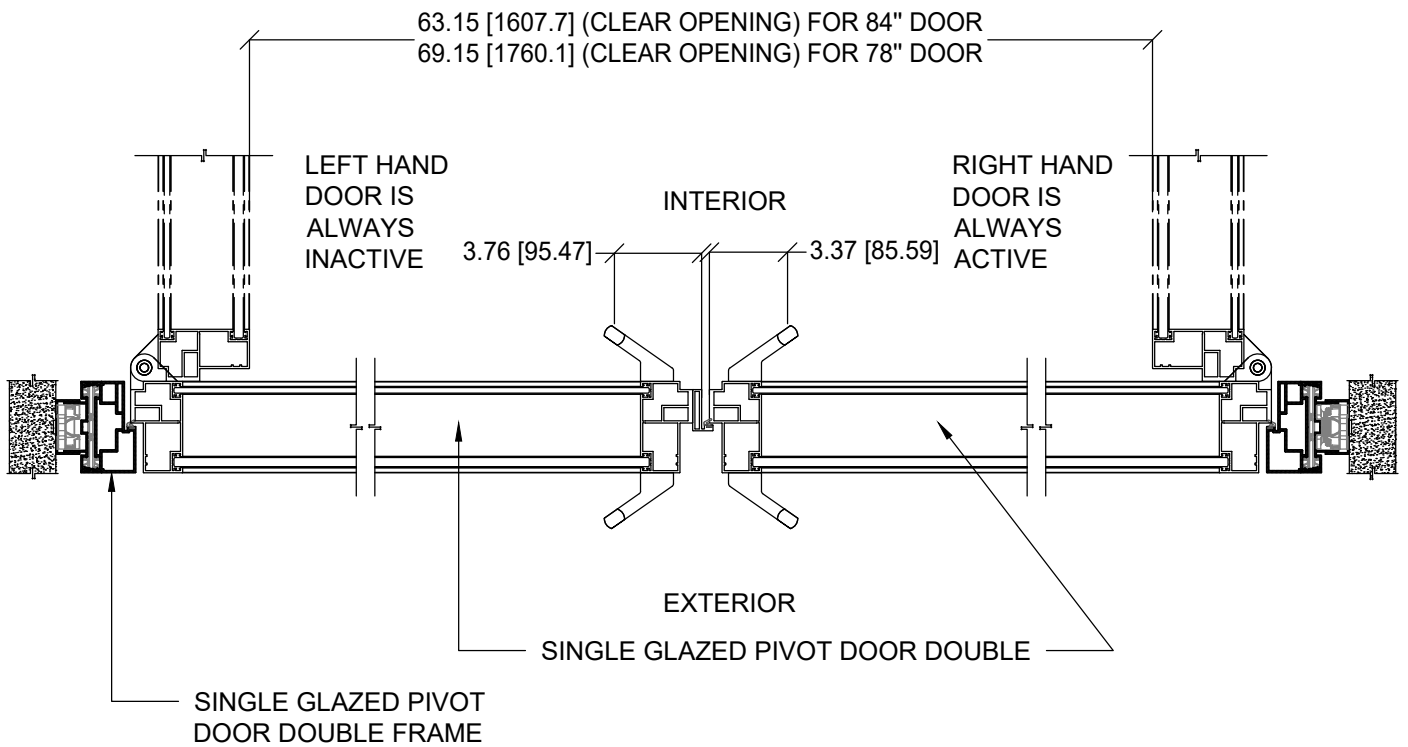
3/H DOUBLE LEAF 100MM, DOUBLE GLAZED PIVOT DOOR
 B10 WITH JAMB AND FLOOR PULL NON LOCKING

FOCUS - SWING DOOR DETAILS

MODIFIED	September 22, 2025	UNIT	INCH	SCALE	1:8
----------	--------------------	------	------	-------	-----

THIS DRAWING IS THE PROPERTY OF TEKNION LIMITED AND IS SUBJECT TO RETURN UPON DEMAND. IT MUST NOT BE SUBMITTED TO ANY OUTSIDE PARTIES FOR EXAMINATION WITHOUT TEKNION CONSENT. THIS DRAWING MUST NOT BE SCALED OR USED FOR CONSTRUCTION PURPOSES





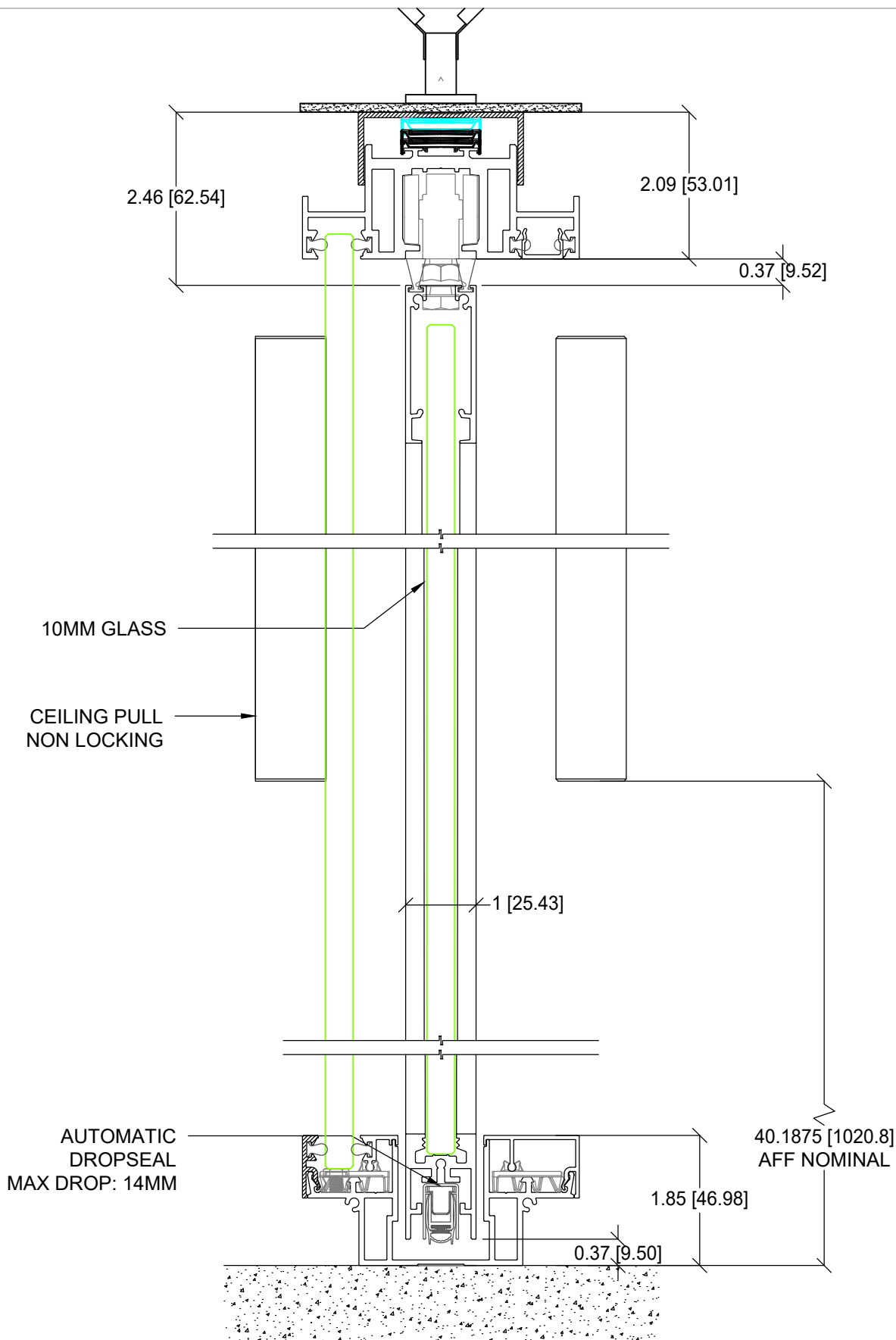
4/H DOUBLE LEAF 100MM, DOUBLE GLAZED PIVOT DOOR
B10 WITH JAMB AND LINEAR PULL ANGULAR

FOCUS - SWING DOOR DETAILS

MODIFIED September 22, 2025 UNIT INCH SCALE 1:8

THIS DRAWING IS THE PROPERTY OF TEKNION LIMITED AND IS SUBJECT TO RETURN UPON DEMAND. IT MUST NOT BE SUBMITTED TO ANY OUTSIDE PARTIES FOR EXAMINATION WITHOUT TEKNION CONSENT. THIS DRAWING MUST NOT BE SCALED OR USED FOR CONSTRUCTION PURPOSES





10MM GLASS

CEILING PULL
NON LOCKING

AUTOMATIC
DROPSEAL
MAX DROP: 14MM

1/V
S01

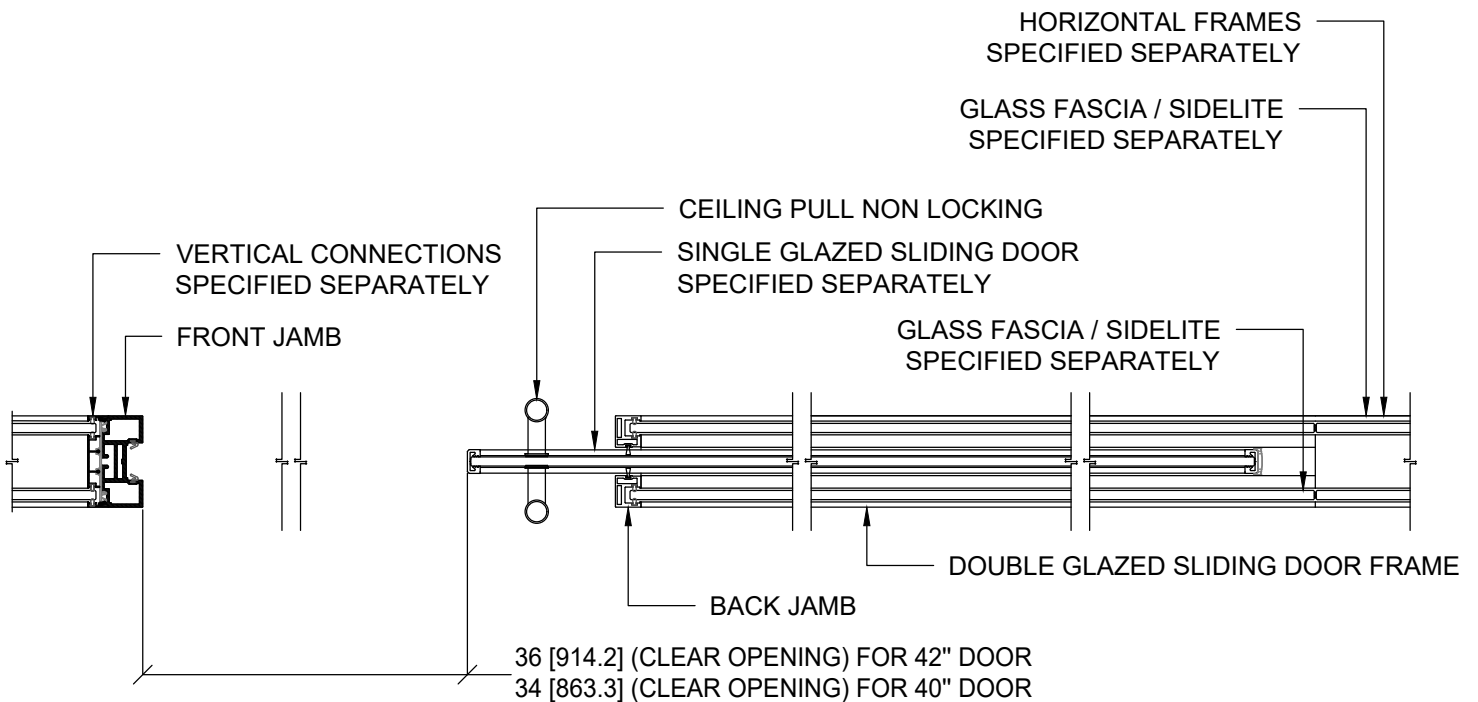
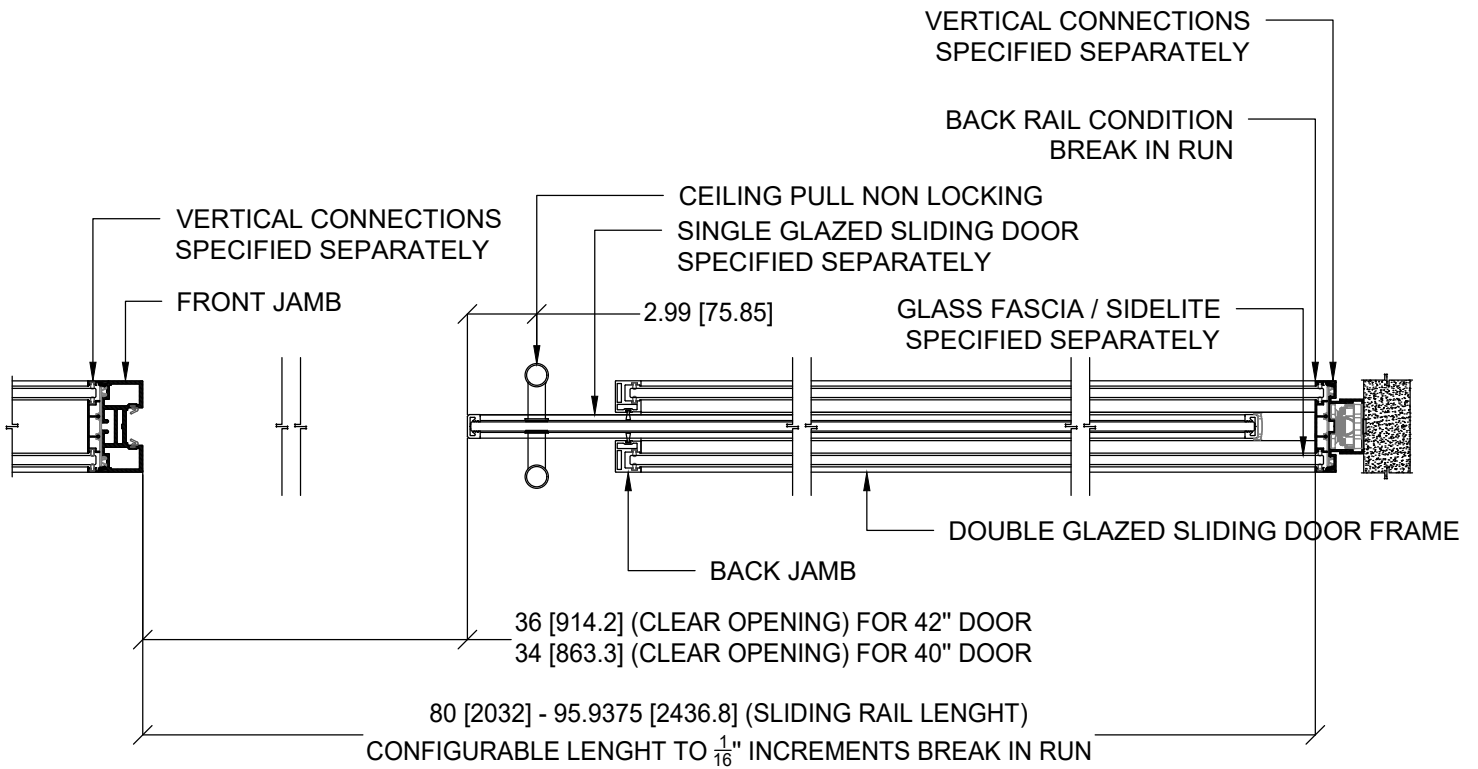
FRAMED SINGLE LEAF SLIDING DOOR
WITH JAMB AND CEILING PULL NON LOCKING

FOCUS - SLIDING DOOR DETAILS

MODIFIED	September 22, 2025	UNIT	INCH	SCALE	1:2
----------	--------------------	------	------	-------	-----

THIS DRAWING IS THE PROPERTY OF TEKNION LIMITED AND IS SUBJECT TO RETURN UPON DEMAND. IT MUST NOT BE SUBMITTED TO ANY OUTSIDE PARTIES FOR EXAMINATION WITHOUT TEKNION CONSENT. THIS DRAWING MUST NOT BE SCALED OR USED FOR CONSTRUCTION PURPOSES





1/H FRAMED SINGLE LEAF SLIDING DOOR
S01 WITH JAMB AND CEILING PULL NON LOCKING

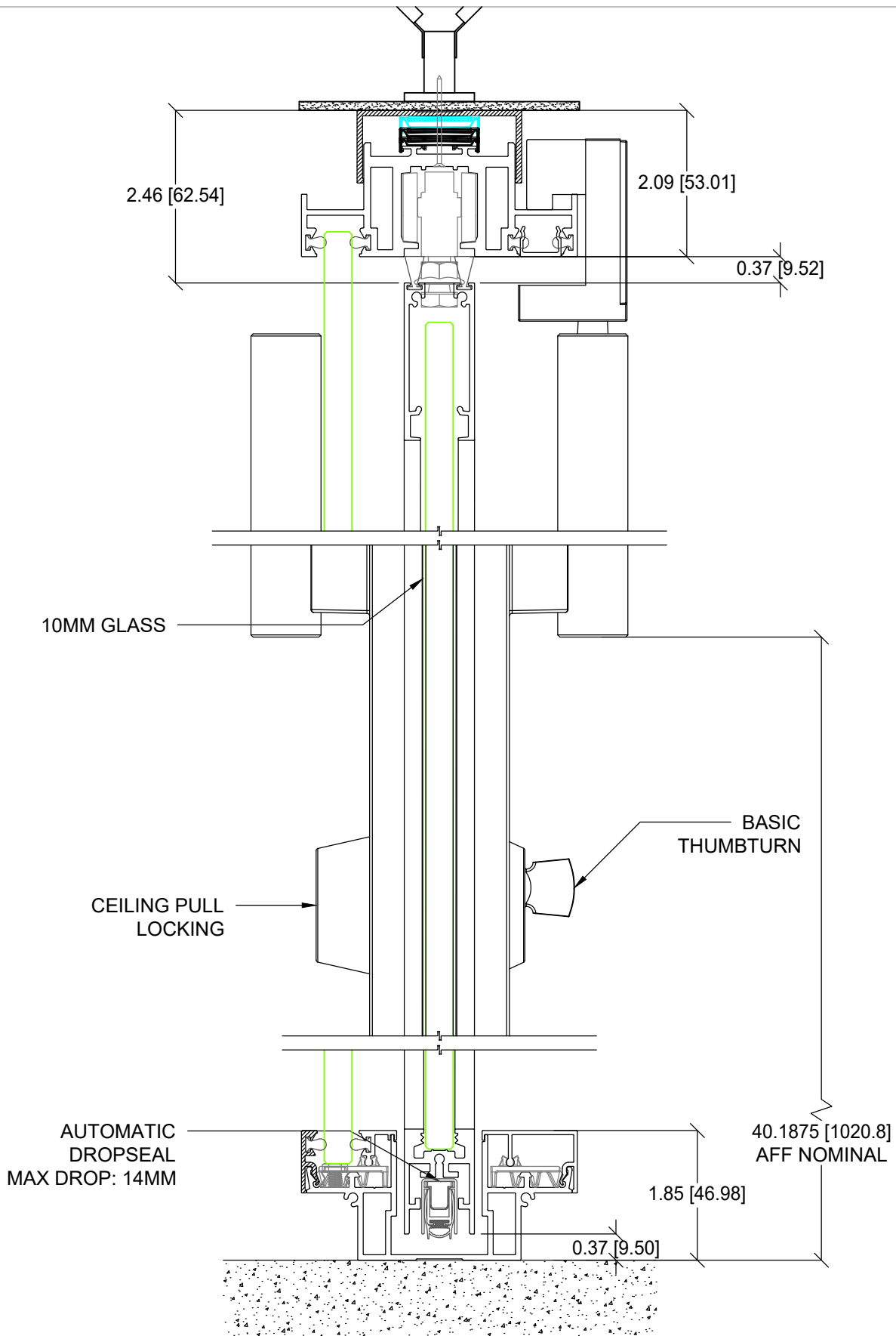
FOCUS - SLIDING DOOR DETAILS

MODIFIED September 22, 2025 UNIT INCH SCALE 1:8

THIS DRAWING IS THE PROPERTY OF TEKNION LIMITED AND IS SUBJECT TO RETURN UPON DEMAND. IT MUST NOT BE SUBMITTED TO ANY OUTSIDE PARTIES FOR EXAMINATION WITHOUT TEKNION CONSENT. THIS DRAWING MUST NOT BE SCALED OR USED FOR CONSTRUCTION PURPOSES

teknion

Publish Date: Jan 14, 2026



2/V FRAMED SINGLE LEAF SLIDING DOOR
S01 WITH JAMB AND CEILING PULL LOCKING

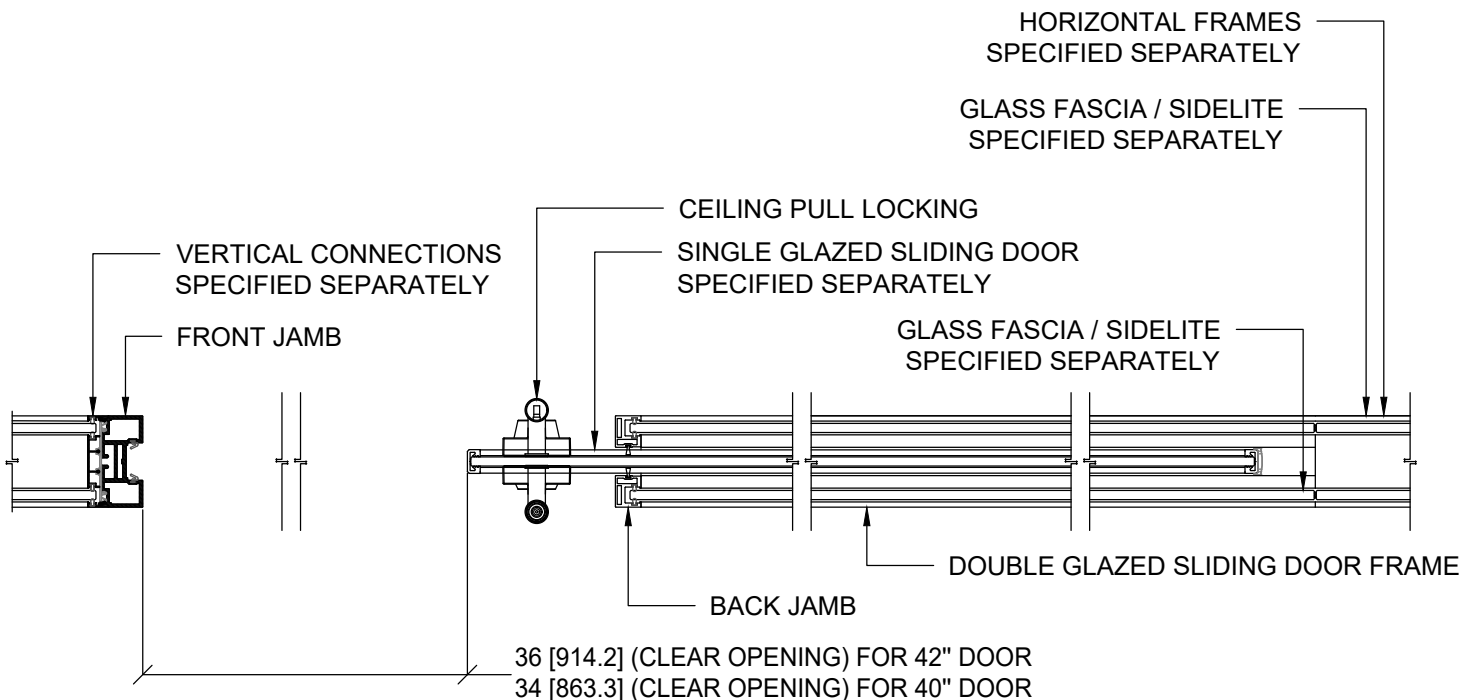
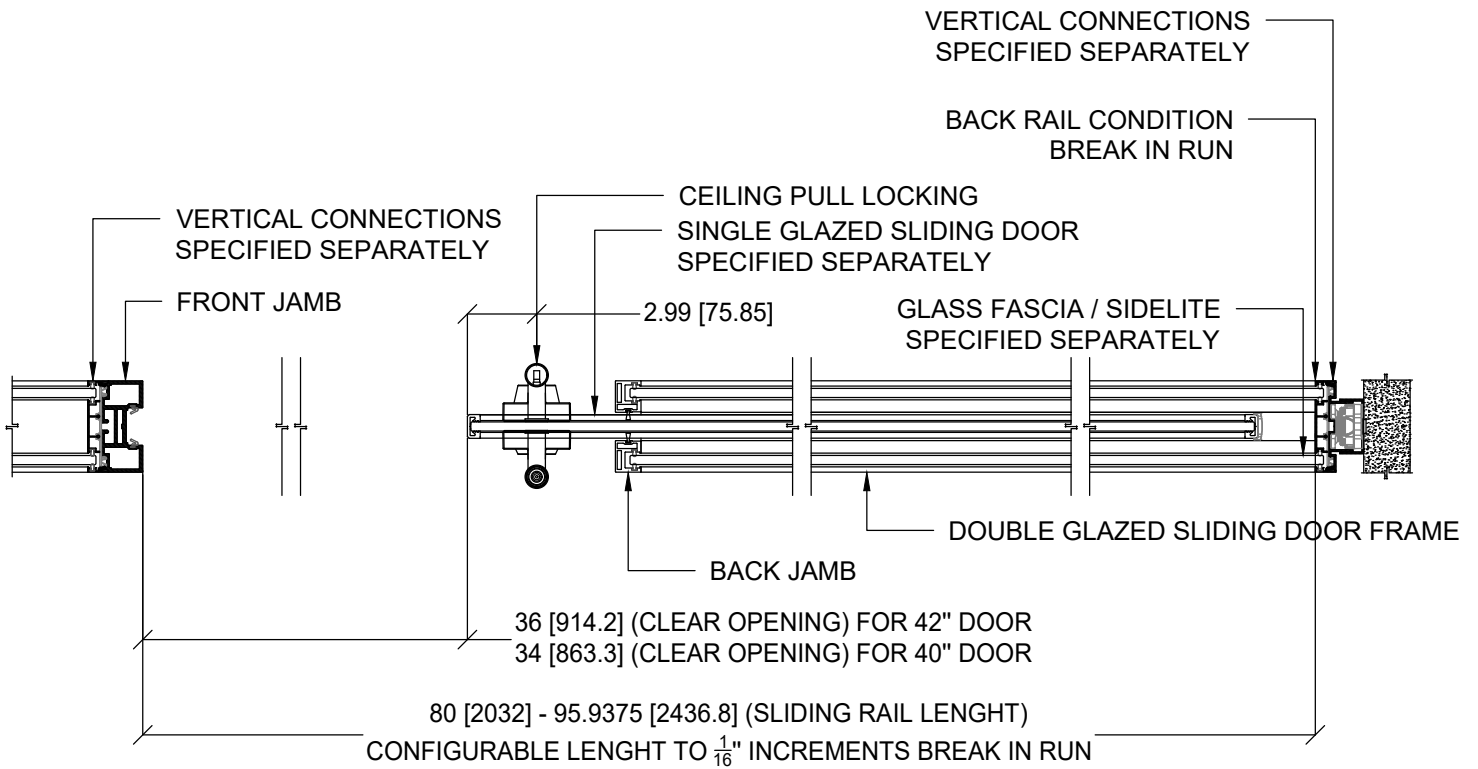
FOCUS - SLIDING DOOR DETAILS

MODIFIED	September 22, 2025	UNIT	INCH	SCALE	1:2
----------	--------------------	------	------	-------	-----

THIS DRAWING IS THE PROPERTY OF TEKNION LIMITED AND IS SUBJECT TO RETURN UPON DEMAND. IT MUST NOT BE SUBMITTED TO ANY OUTSIDE PARTIES FOR EXAMINATION WITHOUT TEKNION CONSENT. THIS DRAWING MUST NOT BE SCALED OR USED FOR CONSTRUCTION PURPOSES

teknion

Publish Date: Jan 14, 2026



2/H FRAMED SINGLE LEAF SLIDING DOOR
S01 WITH JAMB AND CEILING PULL LOCKING

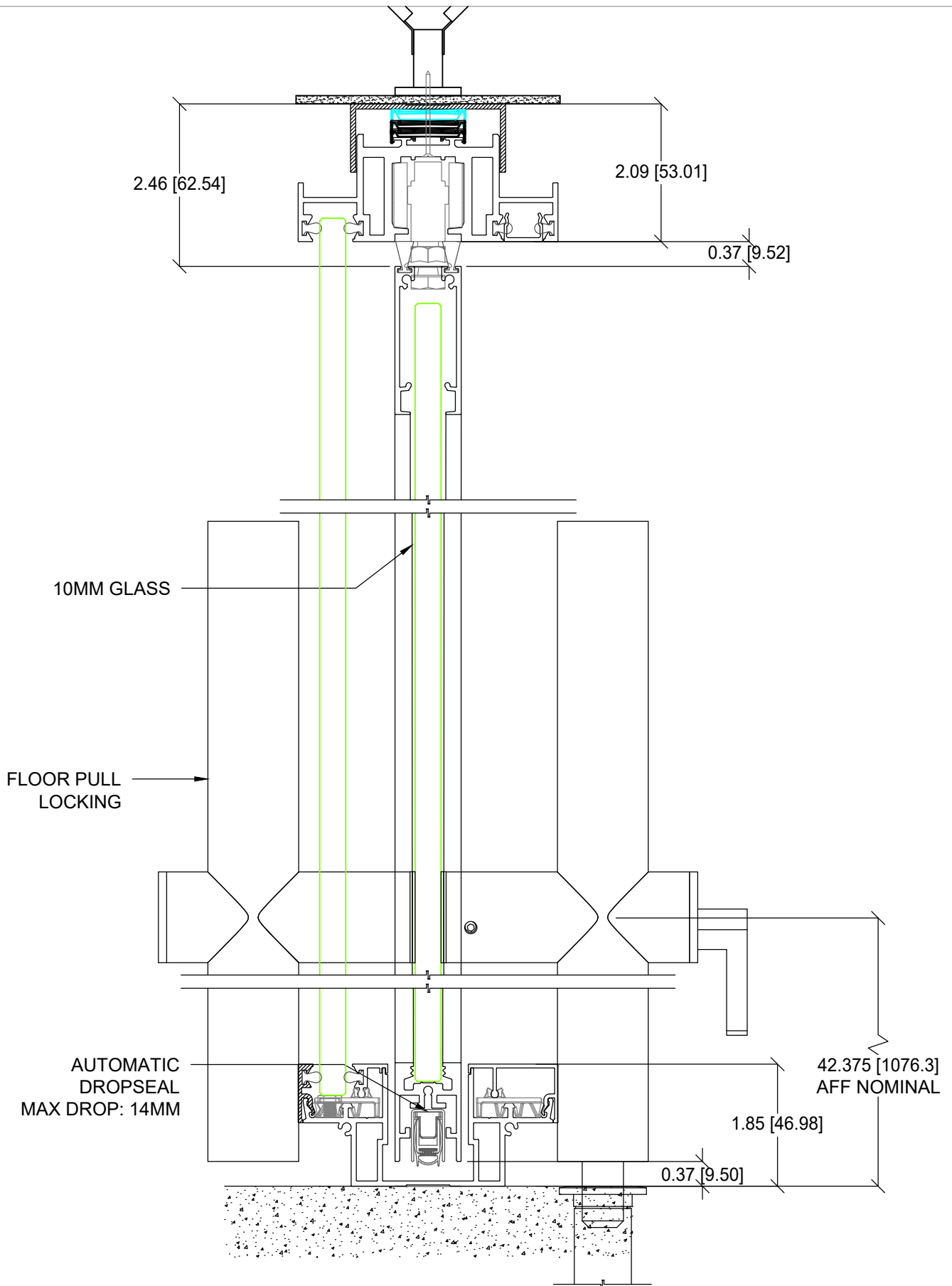
FOCUS - SLIDING DOOR DETAILS

MODIFIED September 22, 2025 UNIT INCH SCALE 1:8

THIS DRAWING IS THE PROPERTY OF TEKNION LIMITED AND IS SUBJECT TO RETURN UPON DEMAND. IT MUST NOT BE SUBMITTED TO ANY OUTSIDE PARTIES FOR EXAMINATION WITHOUT TEKNION CONSENT. THIS DRAWING MUST NOT BE SCALED OR USED FOR CONSTRUCTION PURPOSES

teknion

Publish Date: Jan 14, 2026



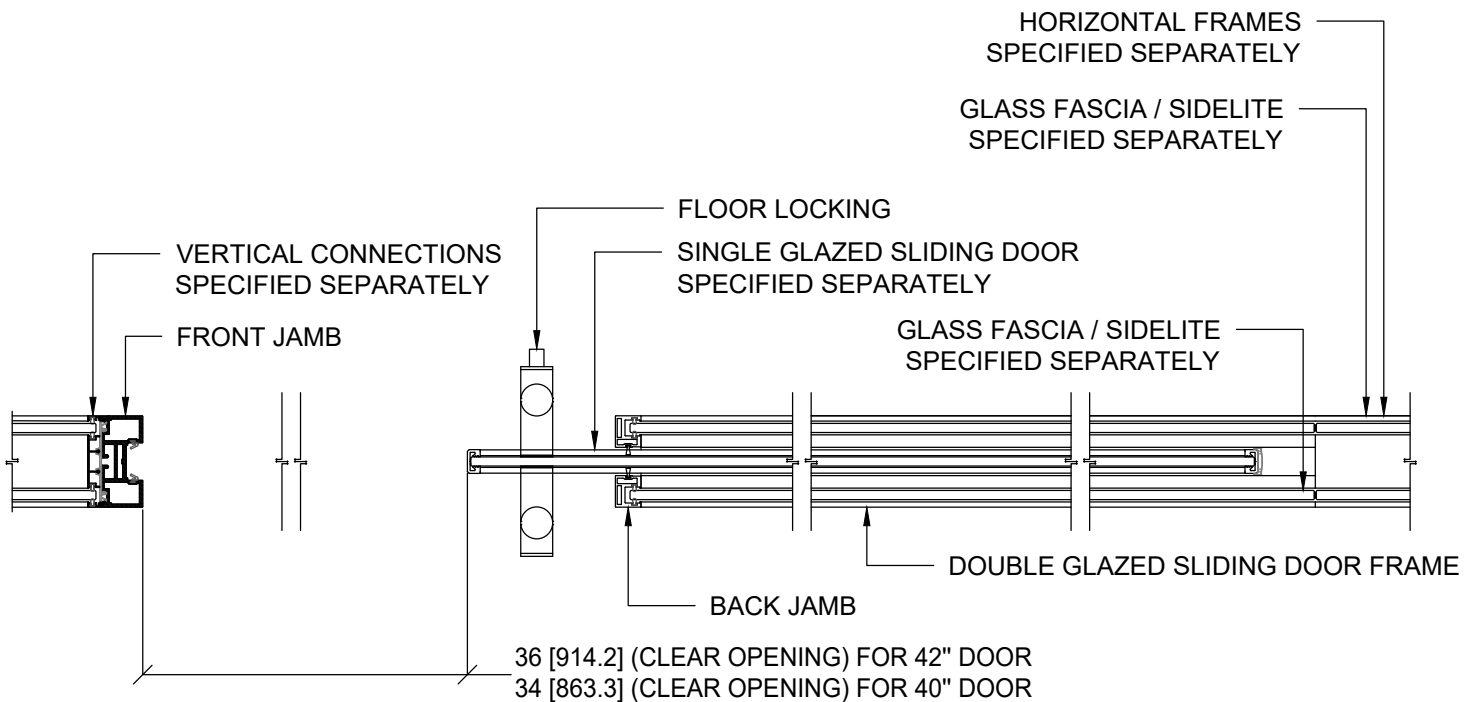
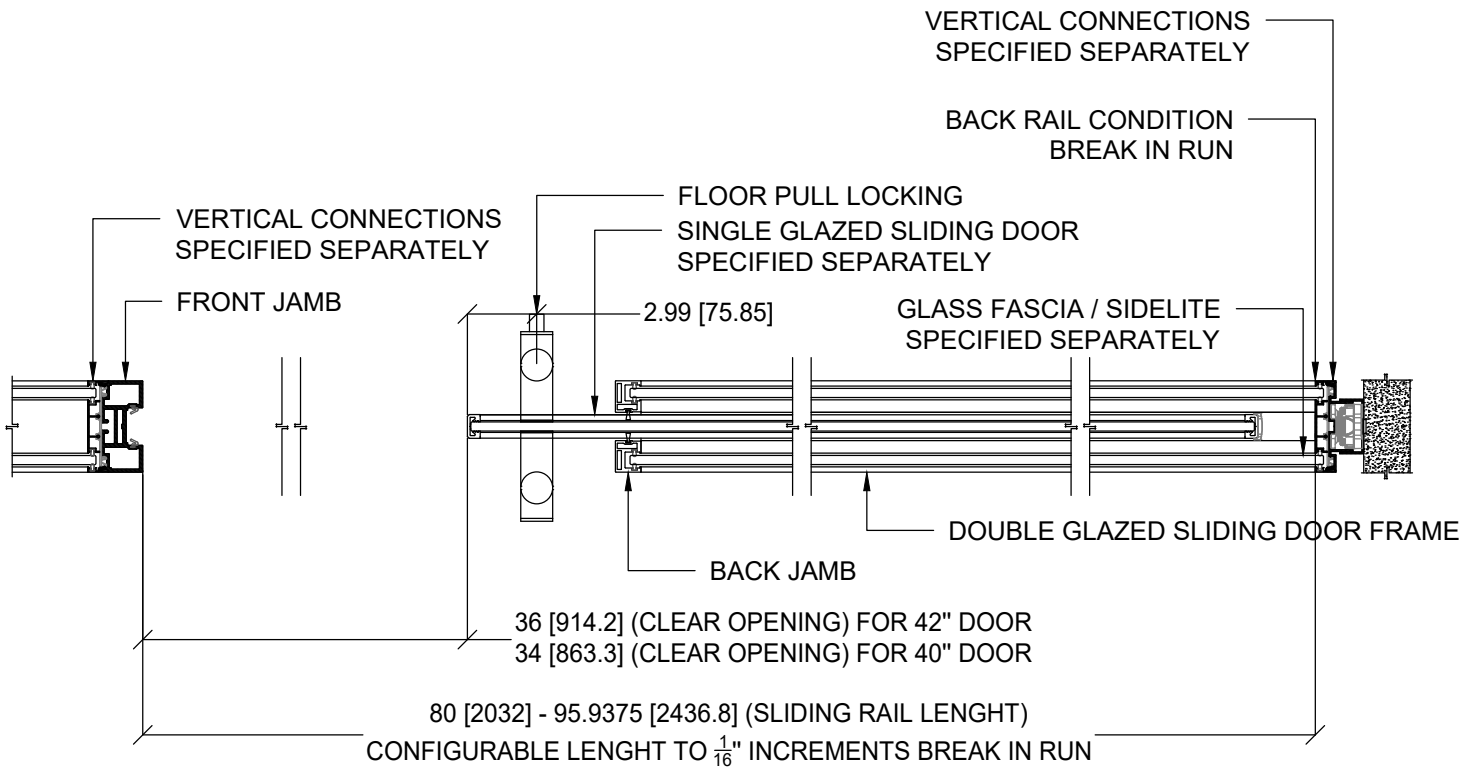
3/V
S01

FRAMED SINGLE LEAF SLIDING DOOR
WITH JAMB AND FLOOR PULL LOCKING

FOCUS - SLIDING DOOR DETAILS

MODIFIED	September 22, 2025	UNIT	INCH	SCALE	1:2
----------	--------------------	------	------	-------	-----

THIS DRAWING IS THE PROPERTY OF TEKNION LIMITED AND IS SUBJECT TO RETURN UPON DEMAND. IT MUST NOT BE SUBMITTED TO ANY OUTSIDE PARTIES FOR EXAMINATION WITHOUT TEKNION CONSENT. THIS DRAWING MUST NOT BE SCALED OR USED FOR CONSTRUCTION PURPOSES



3/H
S01

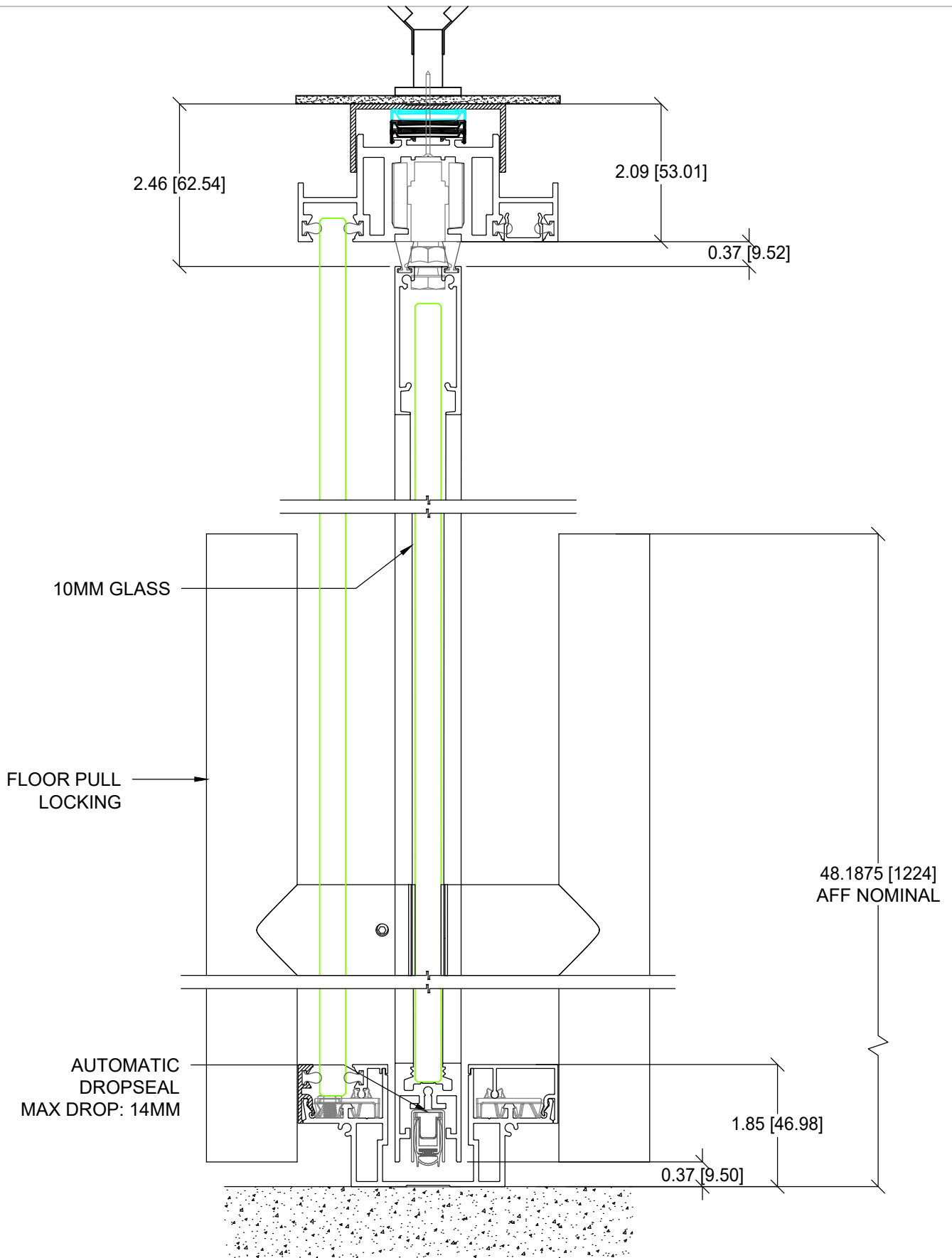
FRAMED SINGLE LEAF SLIDING DOOR
WITH JAMB AND FLOOR PULL LOCKING

FOCUS - SLIDING DOOR DETAILS

MODIFIED	September 22, 2025	UNIT	INCH	SCALE	1:8
----------	--------------------	------	------	-------	-----

THIS DRAWING IS THE PROPERTY OF TEKNION LIMITED AND IS SUBJECT TO RETURN UPON DEMAND. IT MUST NOT BE SUBMITTED TO ANY OUTSIDE PARTIES FOR EXAMINATION WITHOUT TEKNION CONSENT. THIS DRAWING MUST NOT BE SCALED OR USED FOR CONSTRUCTION PURPOSES





3/V FRAMED SINGLE LEAF SLIDING DOOR
 S01 WITH JAMB AND FLOOR PULL NON LOCKING

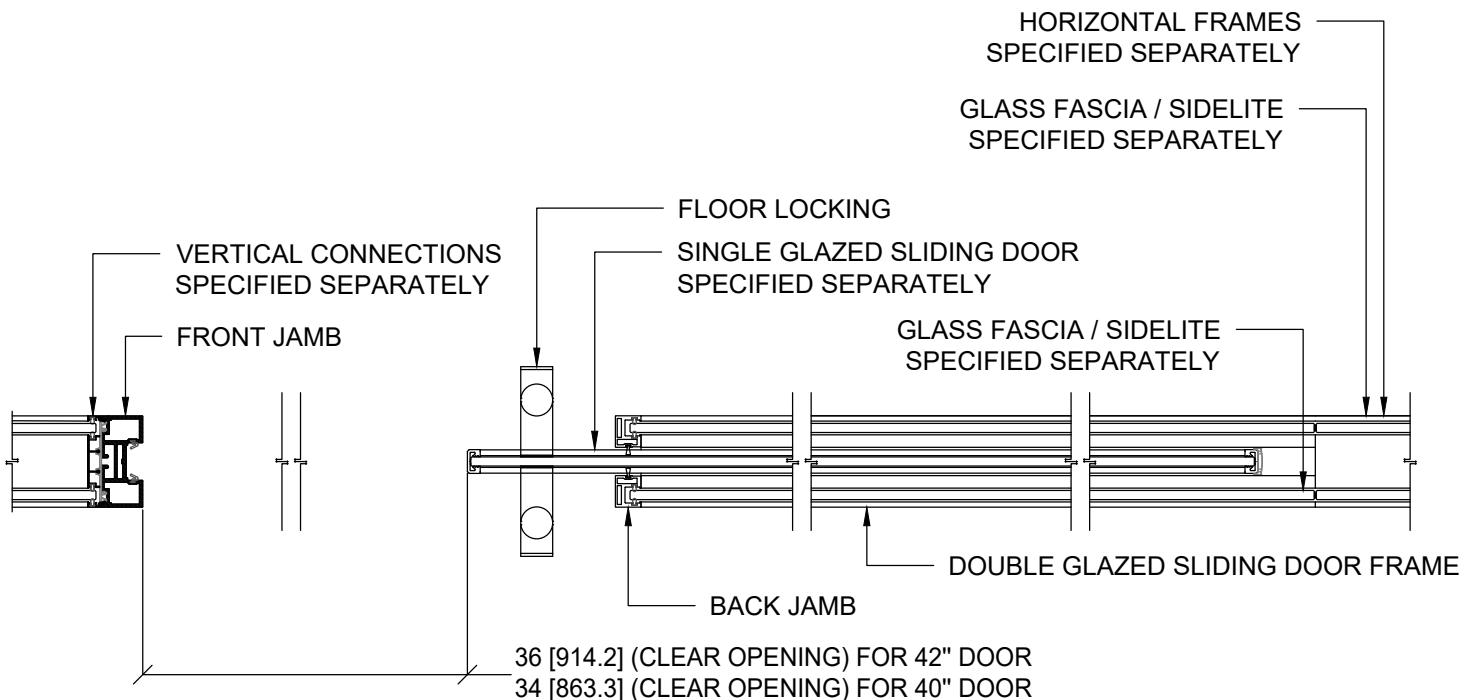
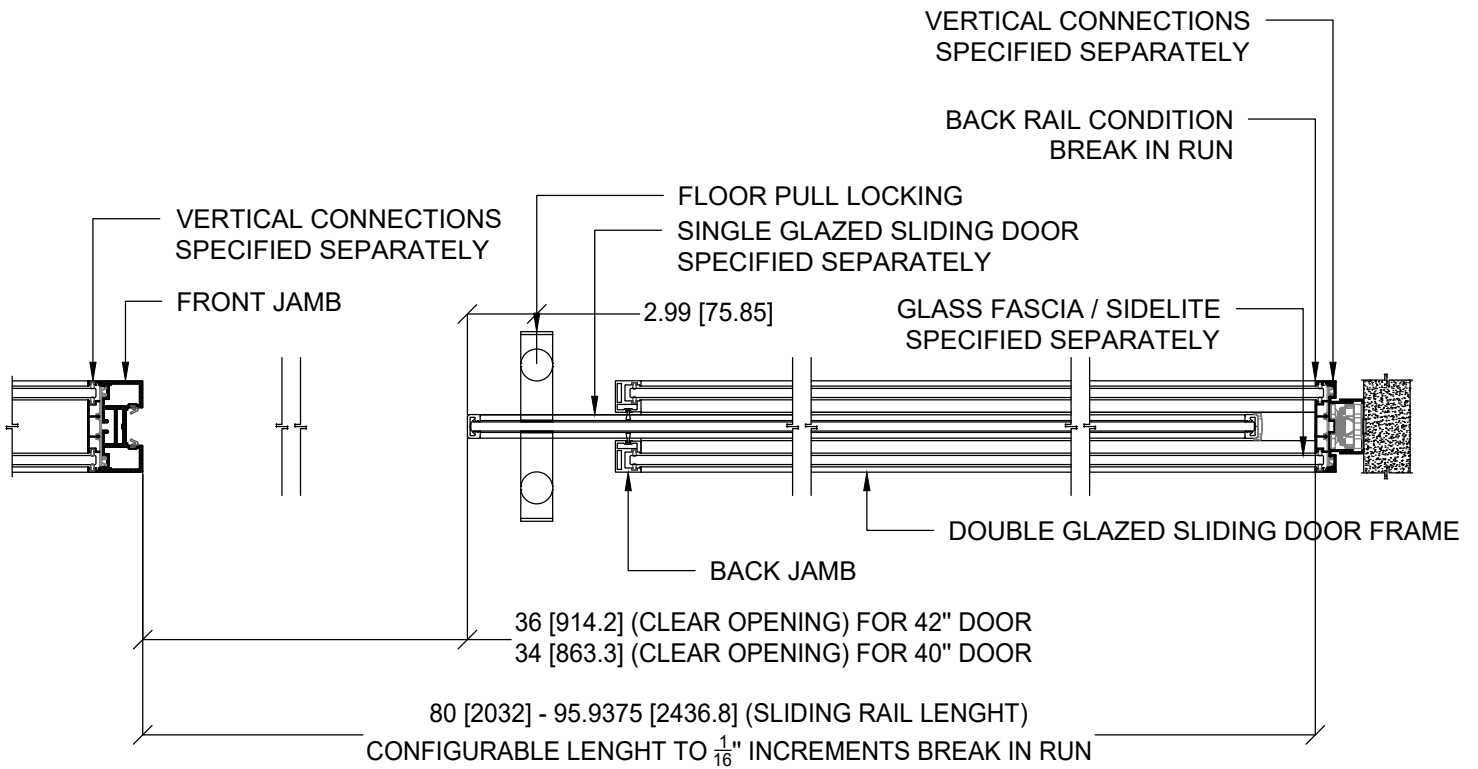
FOCUS - SLIDING DOOR DETAILS

MODIFIED	September 22, 2025	UNIT	INCH	SCALE	1:2
----------	--------------------	------	------	-------	-----

THIS DRAWING IS THE PROPERTY OF TEKNION LIMITED AND IS SUBJECT TO RETURN UPON DEMAND. IT MUST NOT BE SUBMITTED TO ANY OUTSIDE PARTIES FOR EXAMINATION WITHOUT TEKNION CONSENT. THIS DRAWING MUST NOT BE SCALED OR USED FOR CONSTRUCTION PURPOSES



Publish Date: Jan 14, 2026



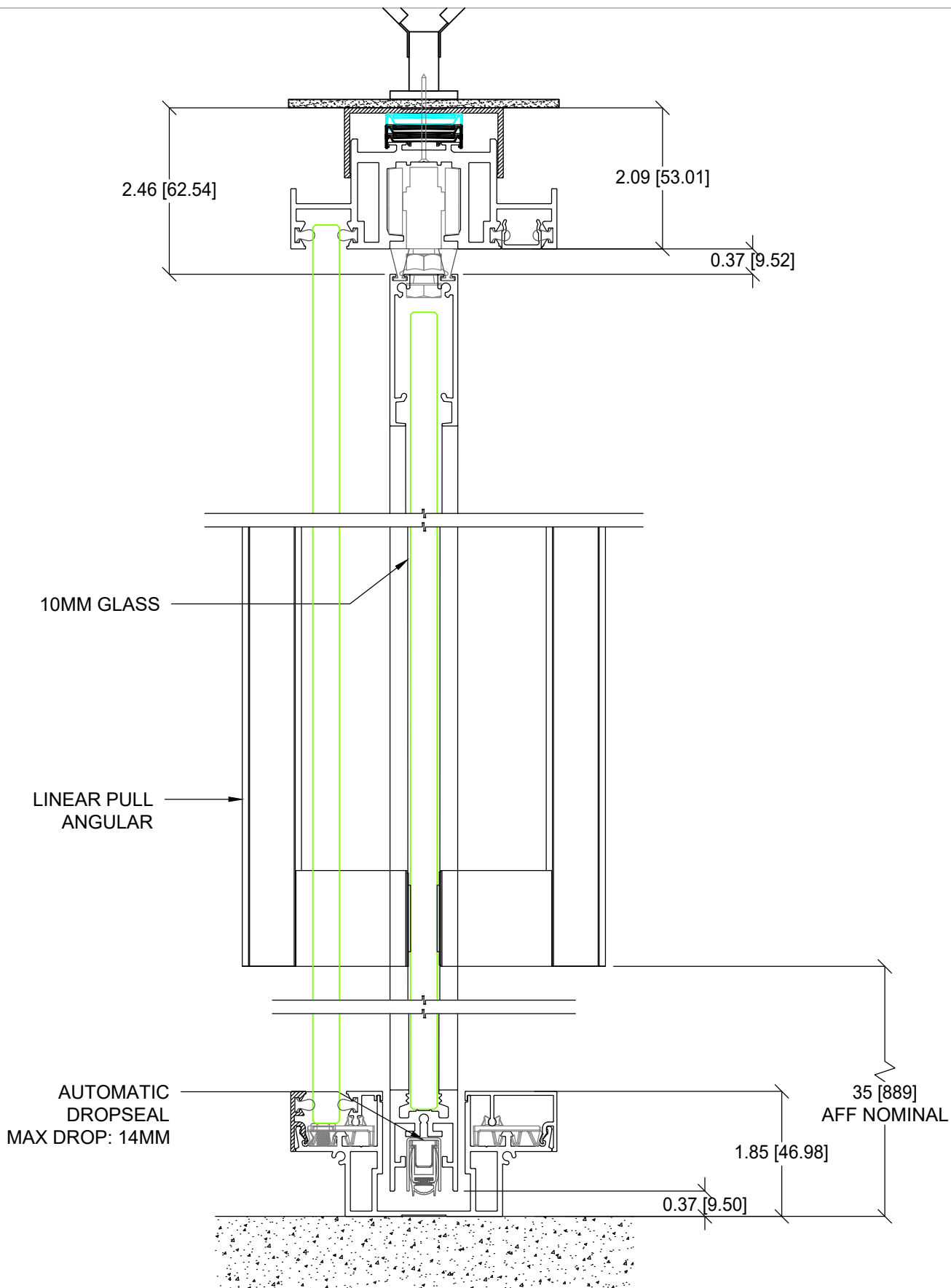
4/H FRAMED SINGLE LEAF SLIDING DOOR
S01 WITH JAMB AND FLOOR PULL NON LOCKING

FOCUS - SLIDING DOOR DETAILS

MODIFIED September 22, 2025 UNIT INCH SCALE 1:8

THIS DRAWING IS THE PROPERTY OF TEKNION LIMITED AND IS SUBJECT TO RETURN UPON DEMAND. IT MUST NOT BE SUBMITTED TO ANY OUTSIDE PARTIES FOR EXAMINATION WITHOUT TEKNION CONSENT. THIS DRAWING MUST NOT BE SCALED OR USED FOR CONSTRUCTION PURPOSES





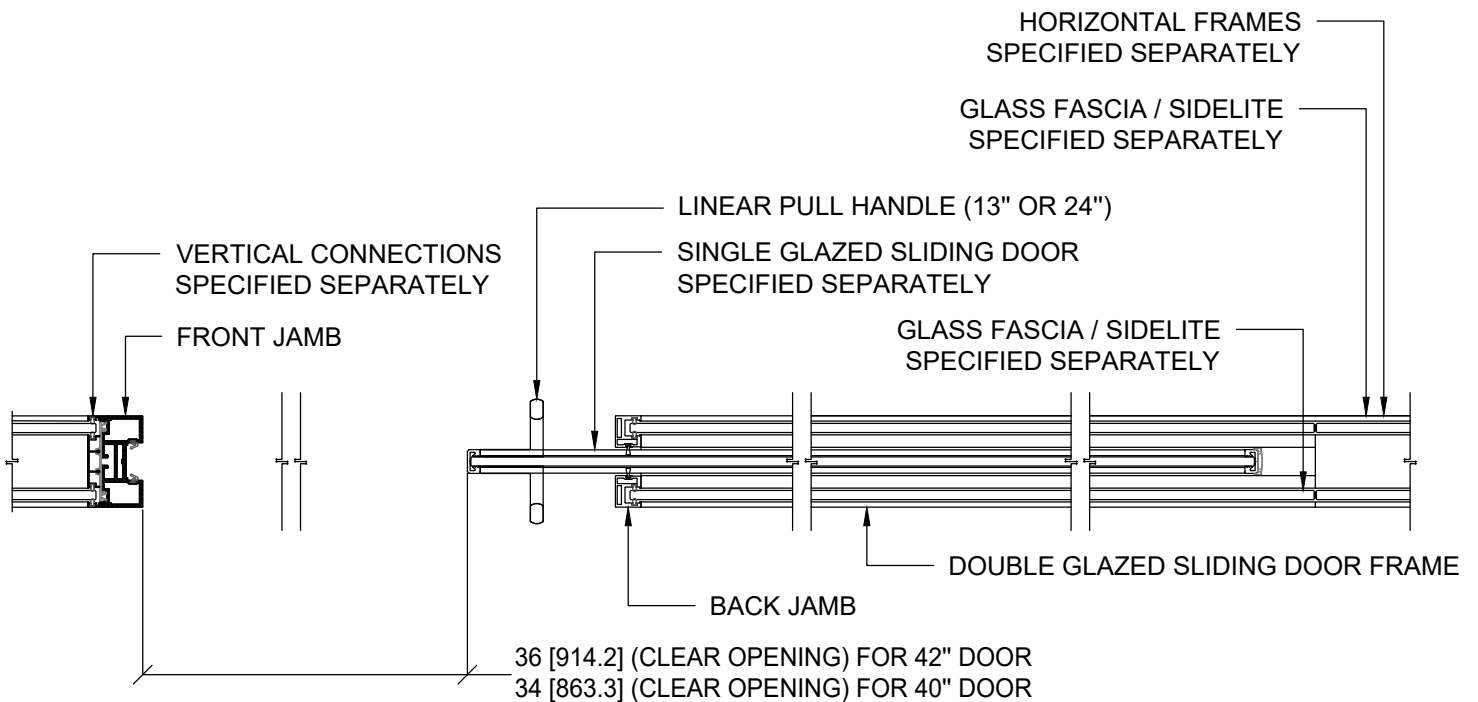
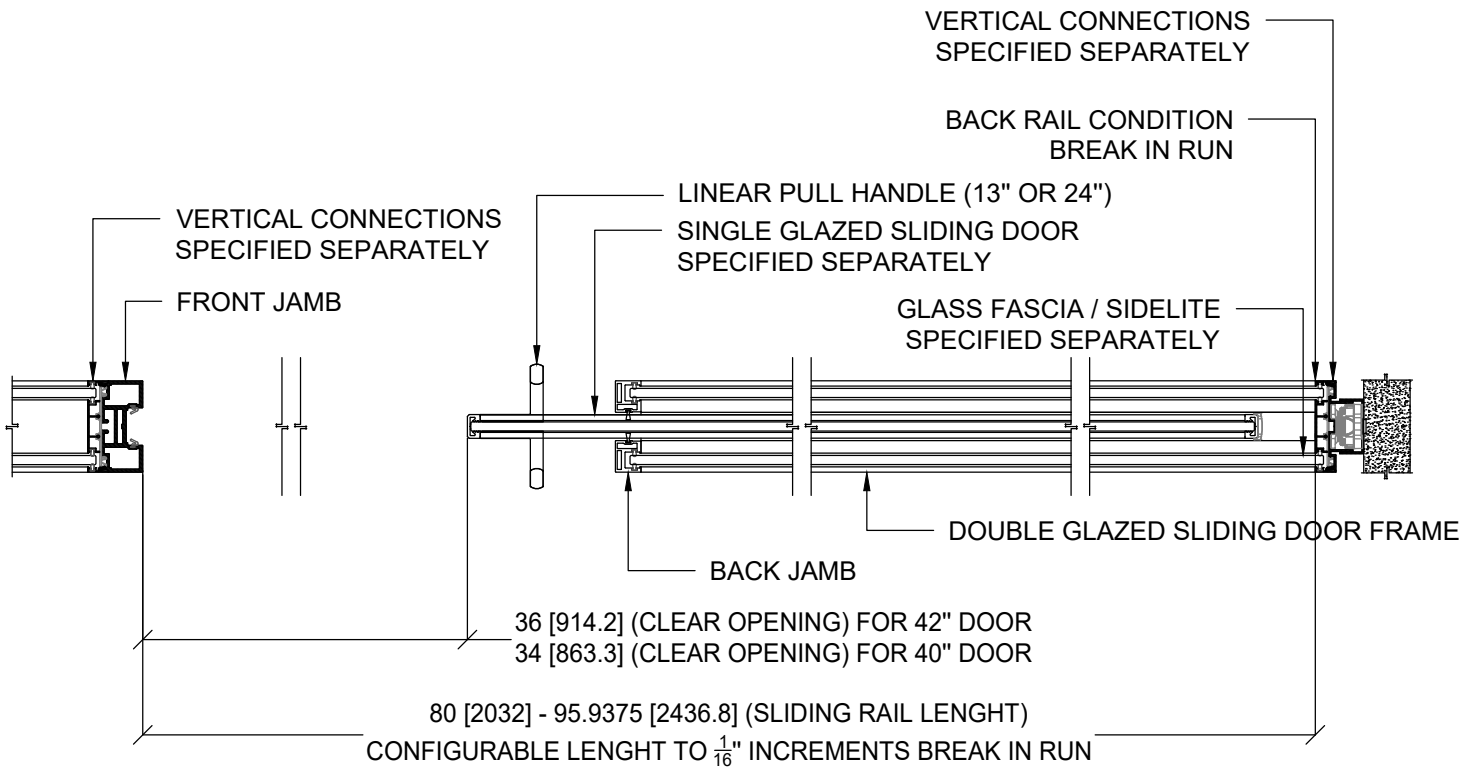
3/V FRAMED SINGLE LEAF SLIDING DOOR
S01 WITH JAMB AND LINEAR PULL PERPENDICULAR

FOCUS - SLIDING DOOR DETAILS

MODIFIED	September 22, 2025	UNIT	INCH	SCALE	1:2
----------	--------------------	------	------	-------	-----

THIS DRAWING IS THE PROPERTY OF TEKNION LIMITED AND IS SUBJECT TO RETURN UPON DEMAND. IT MUST NOT BE SUBMITTED TO ANY OUTSIDE PARTIES FOR EXAMINATION WITHOUT TEKNION CONSENT. THIS DRAWING MUST NOT BE SCALED OR USED FOR CONSTRUCTION PURPOSES





5/H

FRAMED SINGLE LEAF SLIDING DOOR

S01

WITH JAMB AND LINEAR PULL PERPENDICULAR

FOCUS - SLIDING DOOR DETAILS

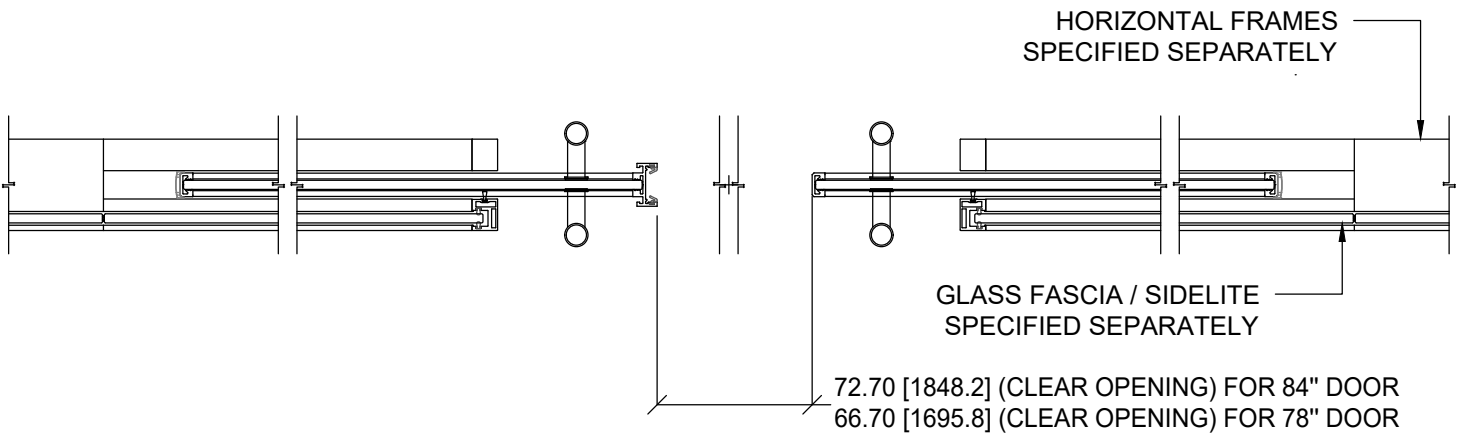
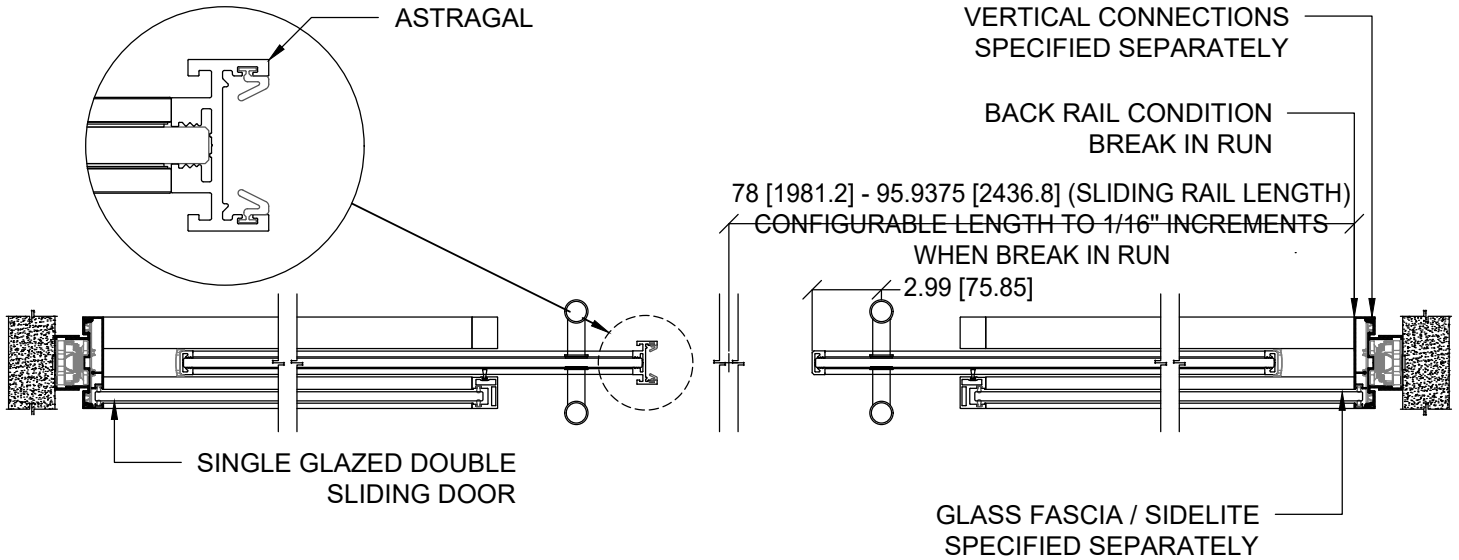
MODIFIED September 22, 2025

UNIT INCH SCALE 1:8

THIS DRAWING IS THE PROPERTY OF TEKNION LIMITED AND IS SUBJECT TO RETURN UPON DEMAND. IT MUST NOT BE SUBMITTED TO ANY OUTSIDE PARTIES FOR EXAMINATION WITHOUT TEKNION CONSENT. THIS DRAWING MUST NOT BE SCALED OR USED FOR CONSTRUCTION PURPOSES

teknion

Publish Date: Jan 14, 2026



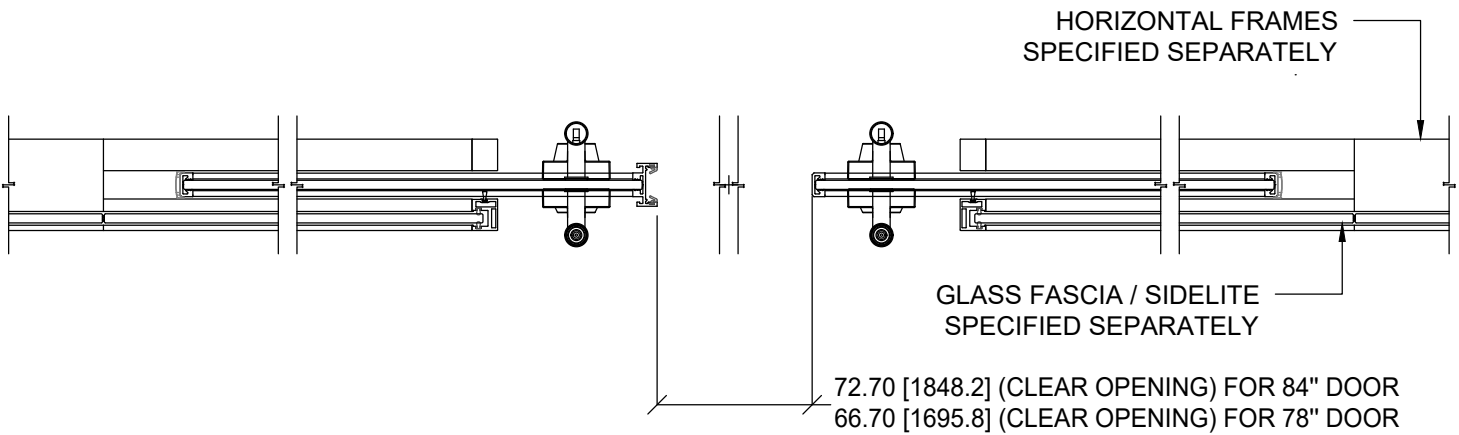
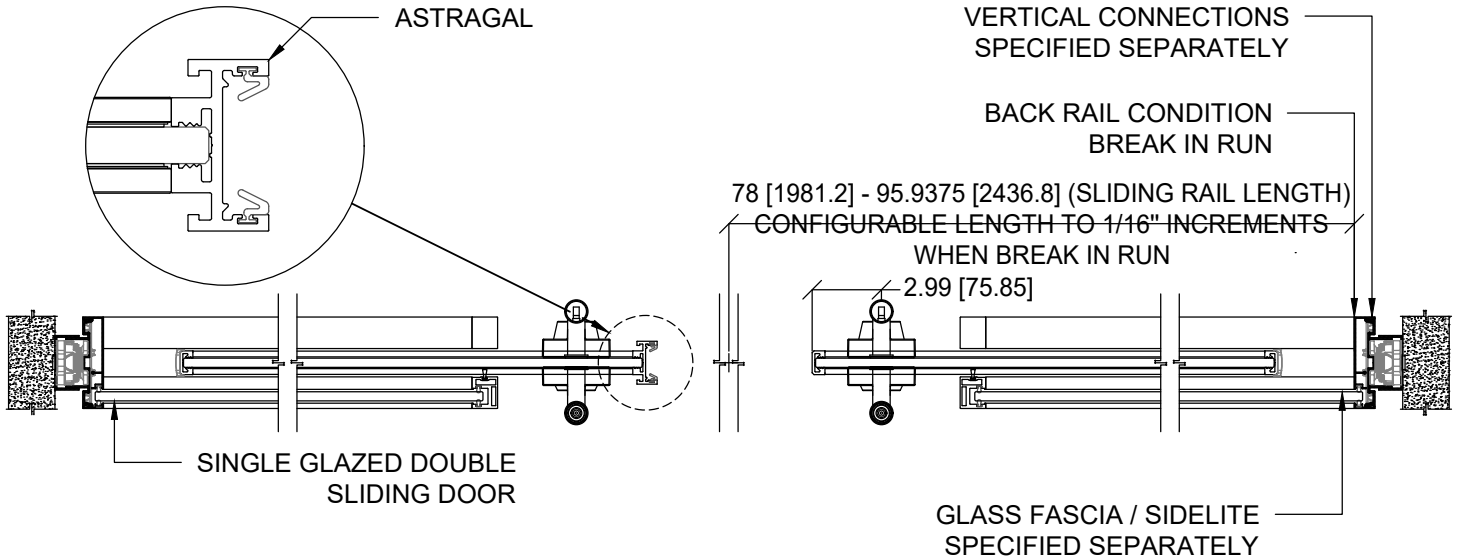
1/H FRAMED DOUBLE LEAF SLIDING DOOR
 S02 WITH JAMB AND CEILING PULL NON LOCKING

FOCUS - SLIDING DOOR DETAILS

MODIFIED	September 22, 2025	UNIT	INCH	SCALE	1:8
----------	--------------------	------	------	-------	-----

THIS DRAWING IS THE PROPERTY OF TEKNION LIMITED AND IS SUBJECT TO RETURN UPON DEMAND. IT MUST NOT BE SUBMITTED TO ANY OUTSIDE PARTIES FOR EXAMINATION WITHOUT TEKNION CONSENT. THIS DRAWING MUST NOT BE SCALED OR USED FOR CONSTRUCTION PURPOSES





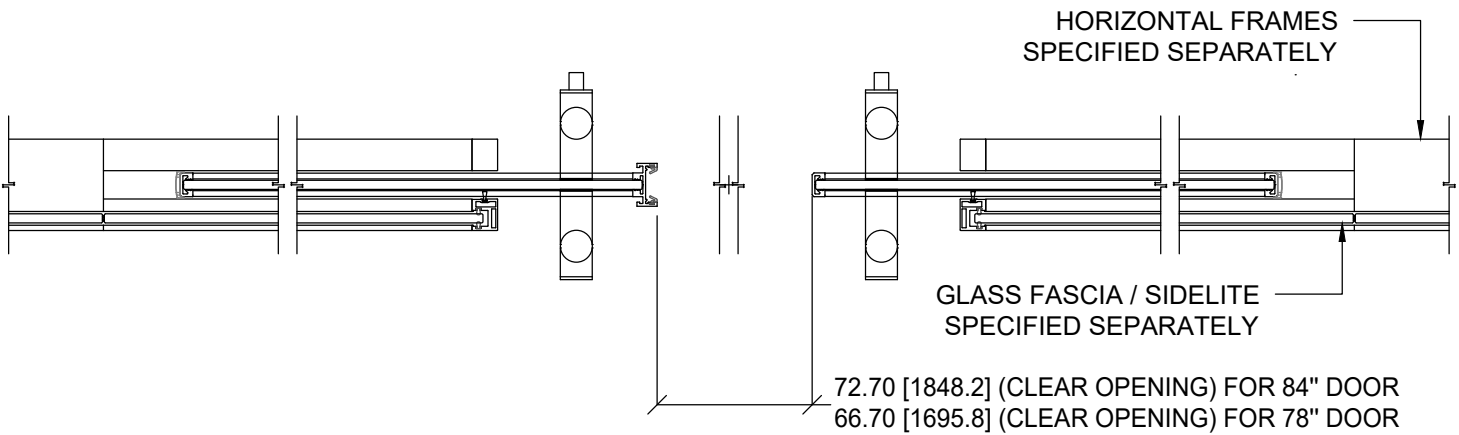
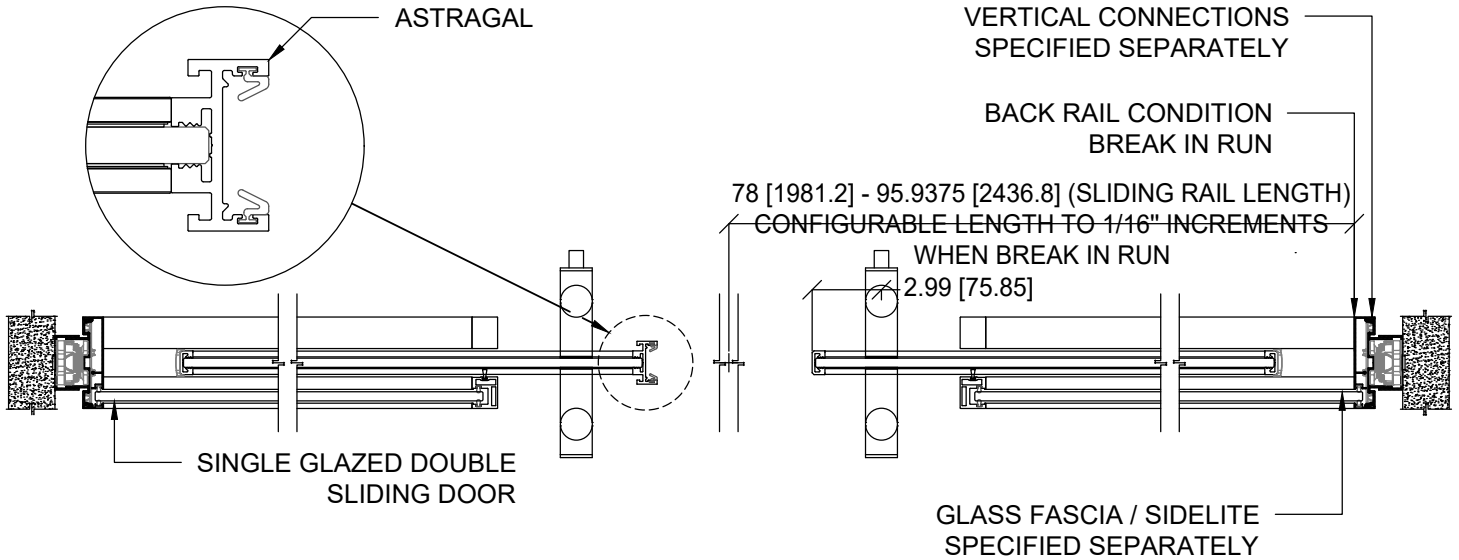
2/H FRAMED DOUBLE LEAF SLIDING DOOR
S02 WITH JAMB AND CEILING PULL LOCKING

FOCUS - SLIDING DOOR DETAILS

MODIFIED	September 22, 2025	UNIT	INCH	SCALE	1:8
----------	--------------------	------	------	-------	-----

THIS DRAWING IS THE PROPERTY OF TEKNION LIMITED AND IS SUBJECT TO RETURN UPON DEMAND. IT MUST NOT BE SUBMITTED TO ANY OUTSIDE PARTIES FOR EXAMINATION WITHOUT TEKNION CONSENT. THIS DRAWING MUST NOT BE SCALED OR USED FOR CONSTRUCTION PURPOSES





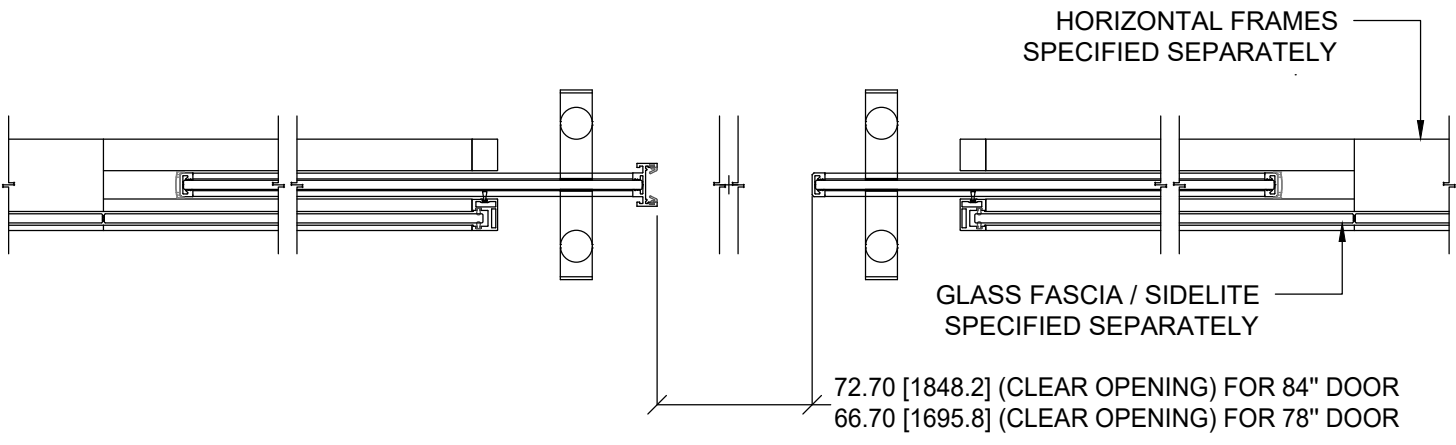
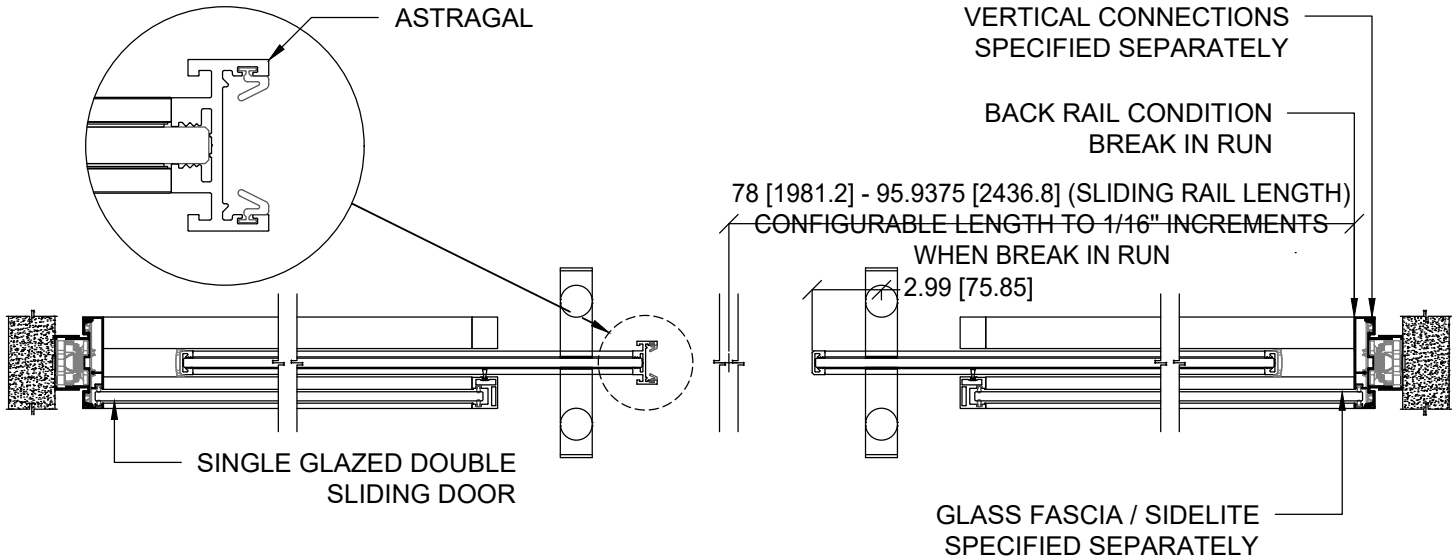
3H FRAMED DOUBLE LEAF SLIDING DOOR
S02 WITH JAMB AND FLOOR PULL LOCKING

FOCUS - SLIDING DOOR DETAILS

MODIFIED	September 22, 2025	UNIT	INCH	SCALE	1:8
----------	--------------------	------	------	-------	-----

THIS DRAWING IS THE PROPERTY OF TEKNION LIMITED AND IS SUBJECT TO RETURN UPON DEMAND. IT MUST NOT BE SUBMITTED TO ANY OUTSIDE PARTIES FOR EXAMINATION WITHOUT TEKNION CONSENT. THIS DRAWING MUST NOT BE SCALED OR USED FOR CONSTRUCTION PURPOSES





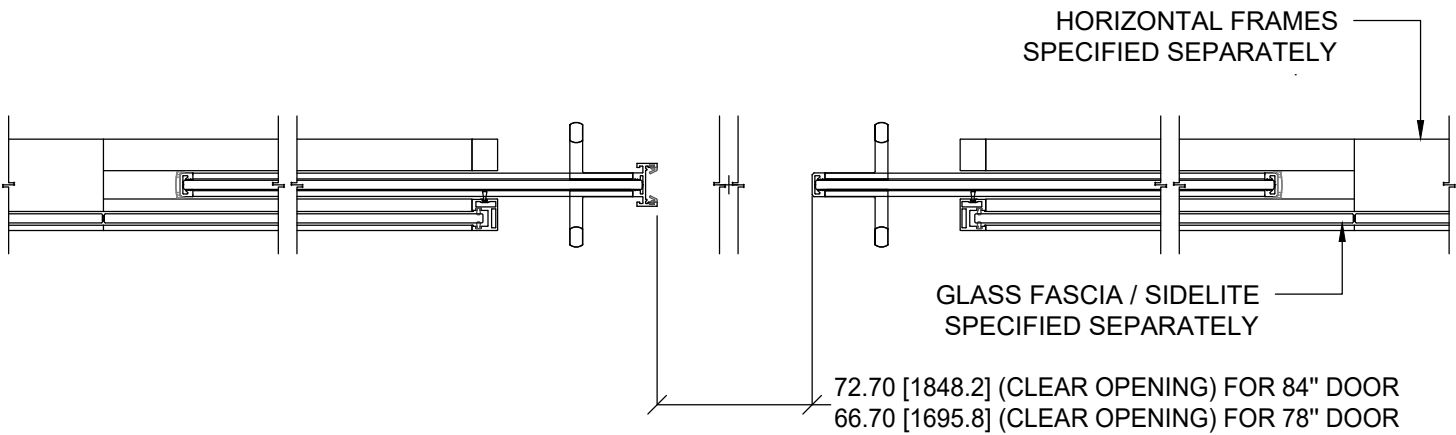
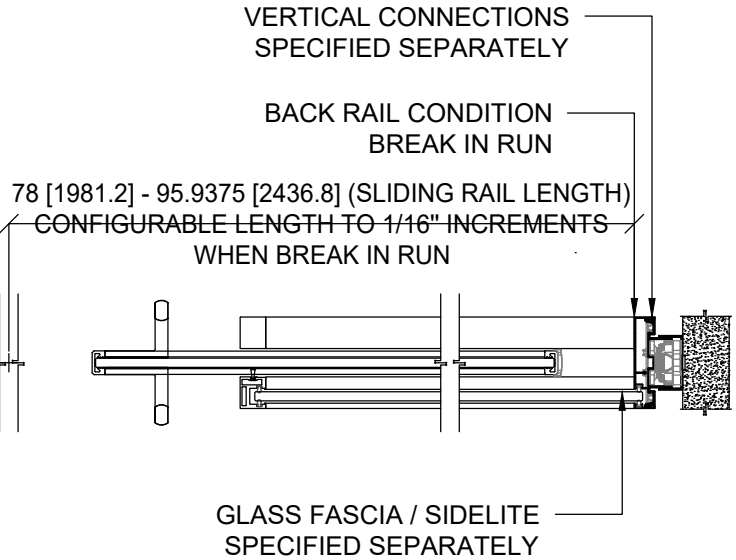
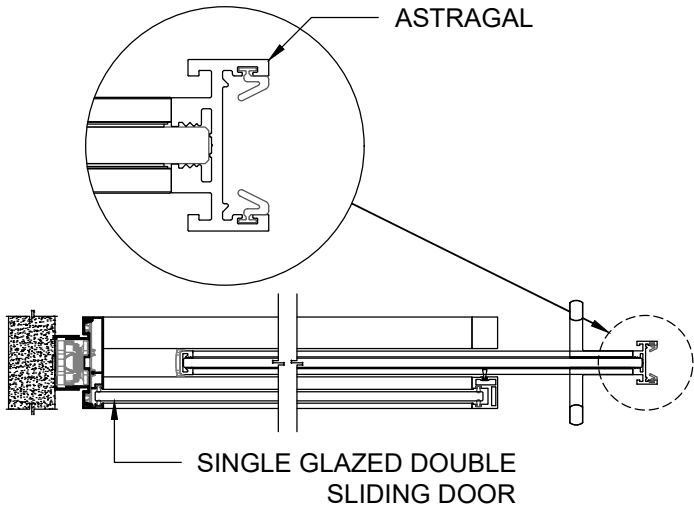
4H FRAMED DOUBLE LEAF SLIDING DOOR
 S02 WITH JAMB AND FLOOR PULL NON LOCKING

FOCUS - SLIDING DOOR DETAILS

MODIFIED	September 22, 2025	UNIT	INCH	SCALE	1:8
----------	--------------------	------	------	-------	-----

THIS DRAWING IS THE PROPERTY OF TEKNION LIMITED AND IS SUBJECT TO RETURN UPON DEMAND. IT MUST NOT BE SUBMITTED TO ANY OUTSIDE PARTIES FOR EXAMINATION WITHOUT TEKNION CONSENT. THIS DRAWING MUST NOT BE SCALED OR USED FOR CONSTRUCTION PURPOSES





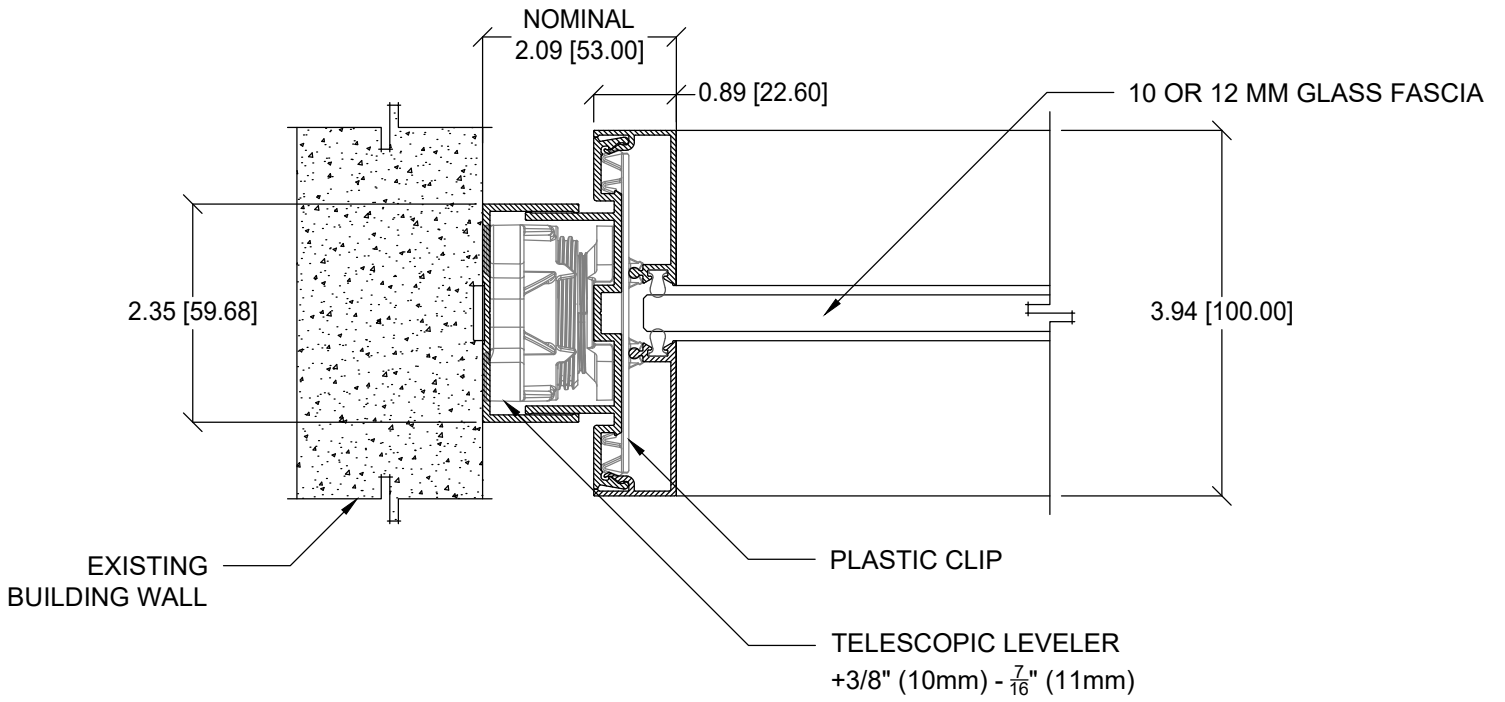
5/H FRAMED DOUBLE LEAF SLIDING DOOR
S02 WITH JAMB AND LINEAR PULL PERPENDICULAR

FOCUS - SLIDING DOOR DETAILS

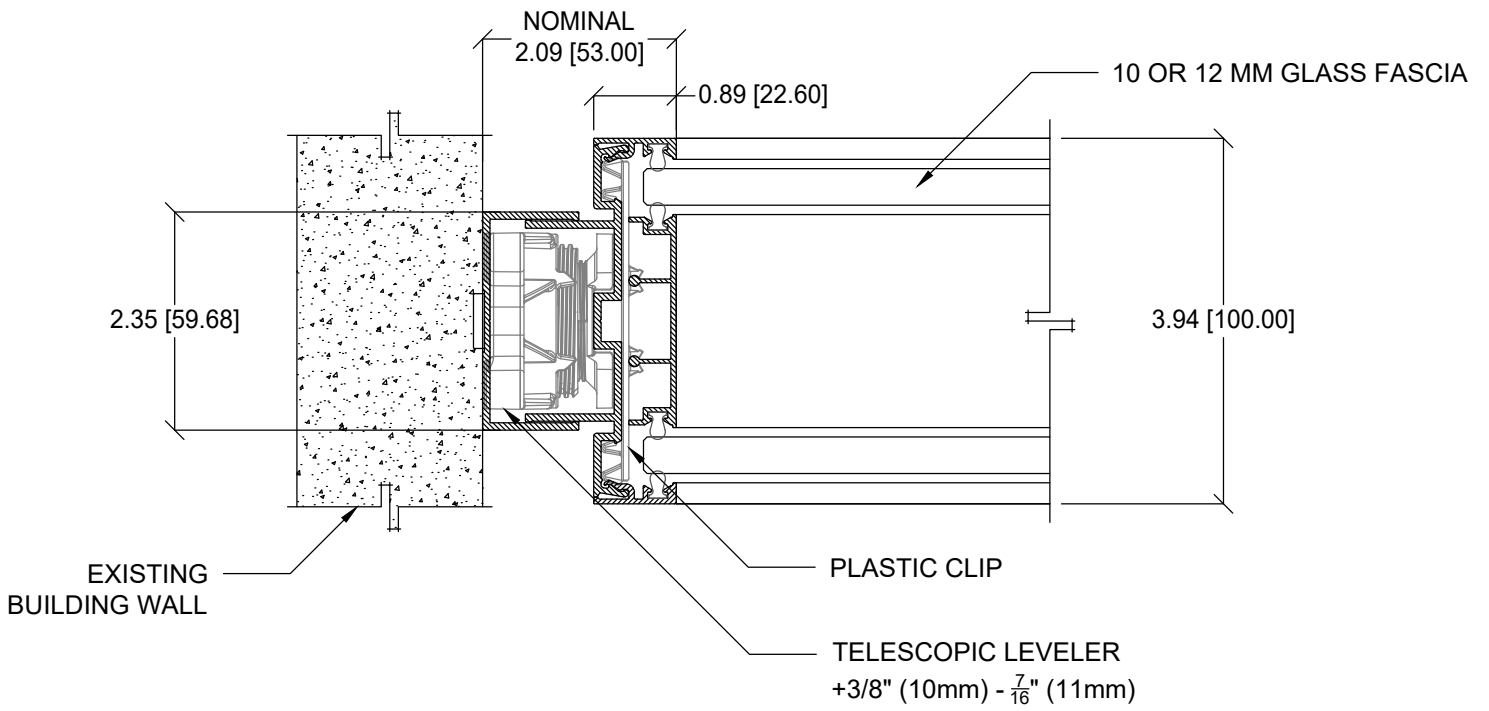
MODIFIED	September 22, 2025	UNIT	INCH	SCALE	1:8
----------	--------------------	------	------	-------	-----

THIS DRAWING IS THE PROPERTY OF TEKNION LIMITED AND IS SUBJECT TO RETURN UPON DEMAND. IT MUST NOT BE SUBMITTED TO ANY OUTSIDE PARTIES FOR EXAMINATION WITHOUT TEKNION CONSENT. THIS DRAWING MUST NOT BE SCALED OR USED FOR CONSTRUCTION PURPOSES





1 WALL START
 C01 SINGLE CENTERED GLASS

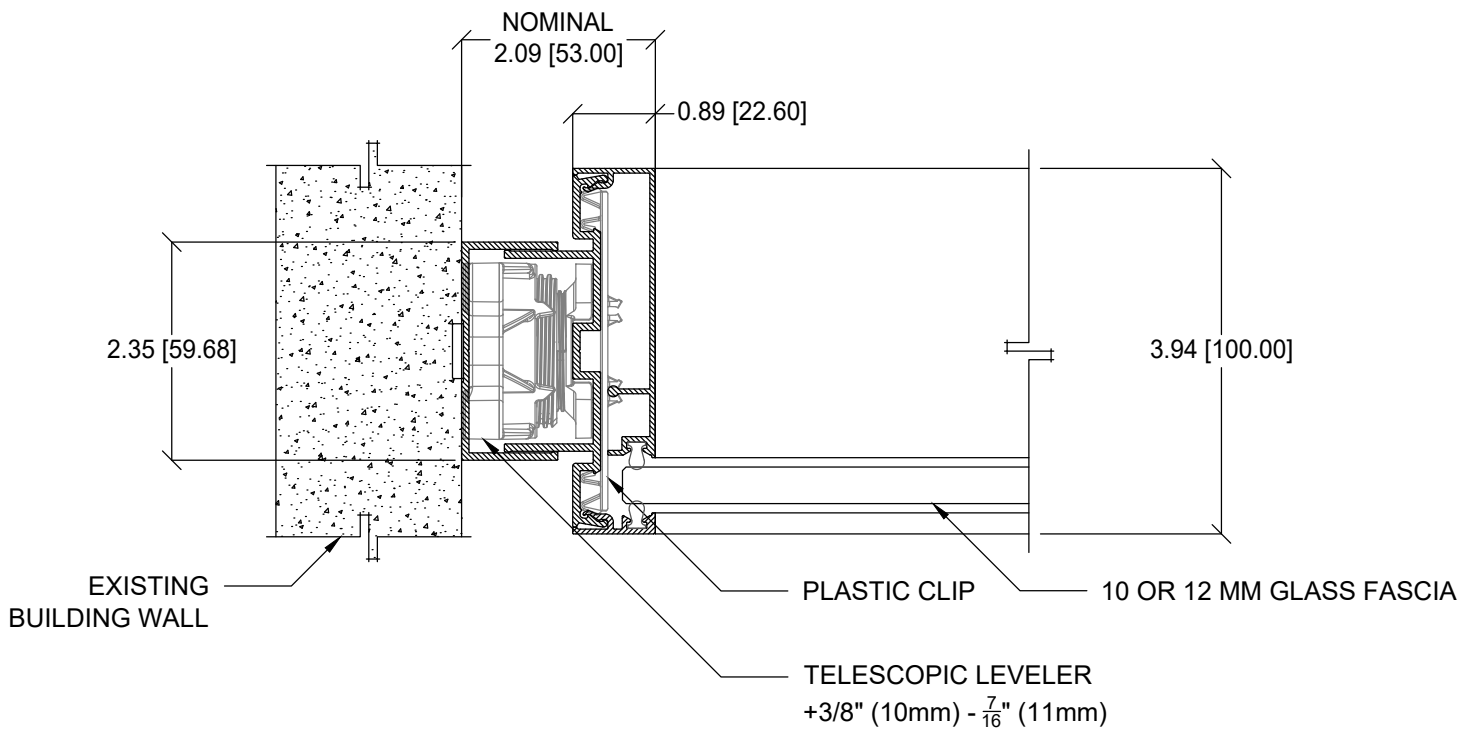


2 WALL START
 C01 DOUBLE GLASS

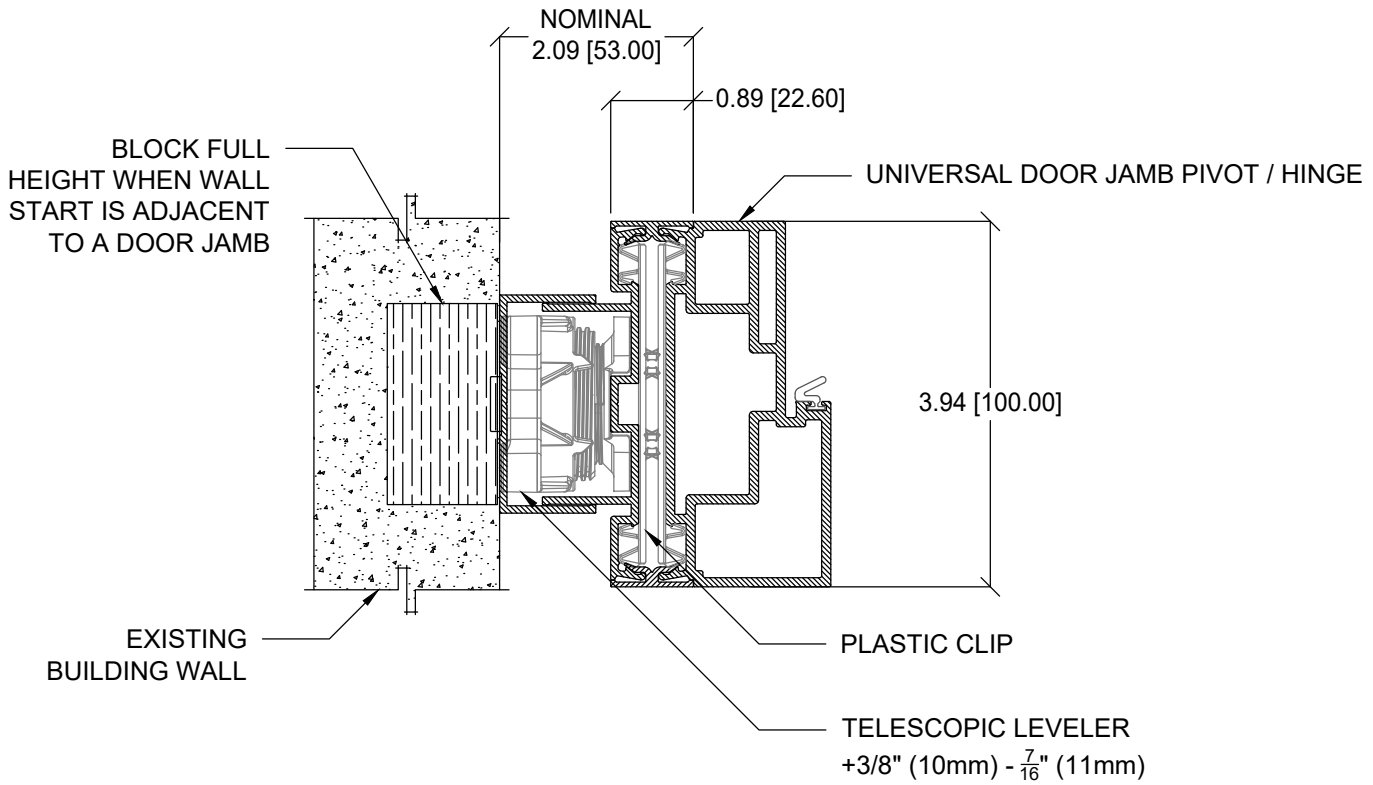
FOCUS - WALL STARTS

MODIFIED	September 22, 2025	UNIT	INCH	SCALE	1:2
----------	--------------------	------	------	-------	-----

THIS DRAWING IS THE PROPERTY OF TEKNION LIMITED AND IS SUBJECT TO RETURN UPON DEMAND. IT MUST NOT BE SUBMITTED TO ANY OUTSIDE PARTIES FOR EXAMINATION WITHOUT TEKNION CONSENT. THIS DRAWING MUST NOT BE SCALED OR USED FOR CONSTRUCTION PURPOSES



3 WALL START
C01 OFFSET GLASS



4 WALL START
C01 DOOR

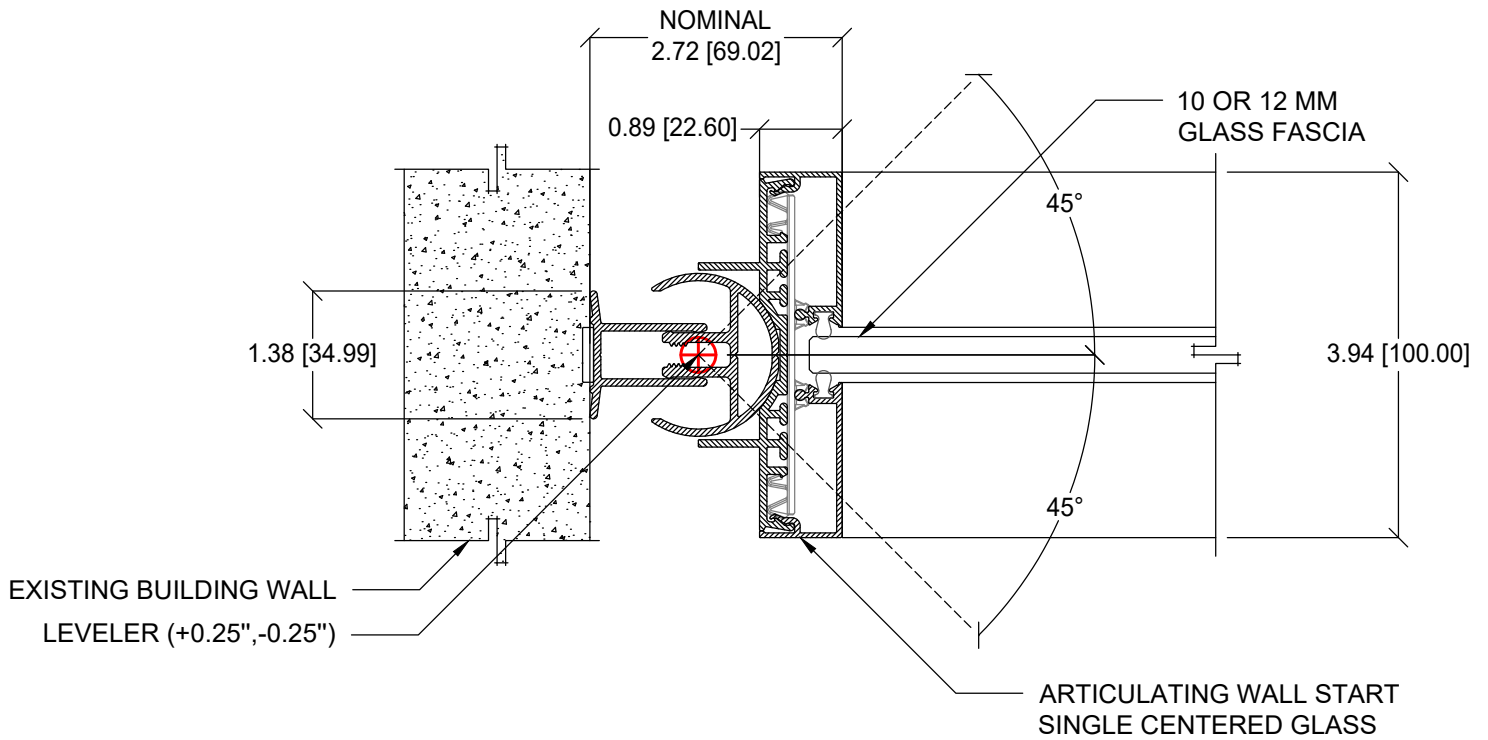
FOCUS - WALL STARTS

MODIFIED	September 22, 2025	UNIT	INCH	SCALE	1:2
----------	--------------------	------	------	-------	-----

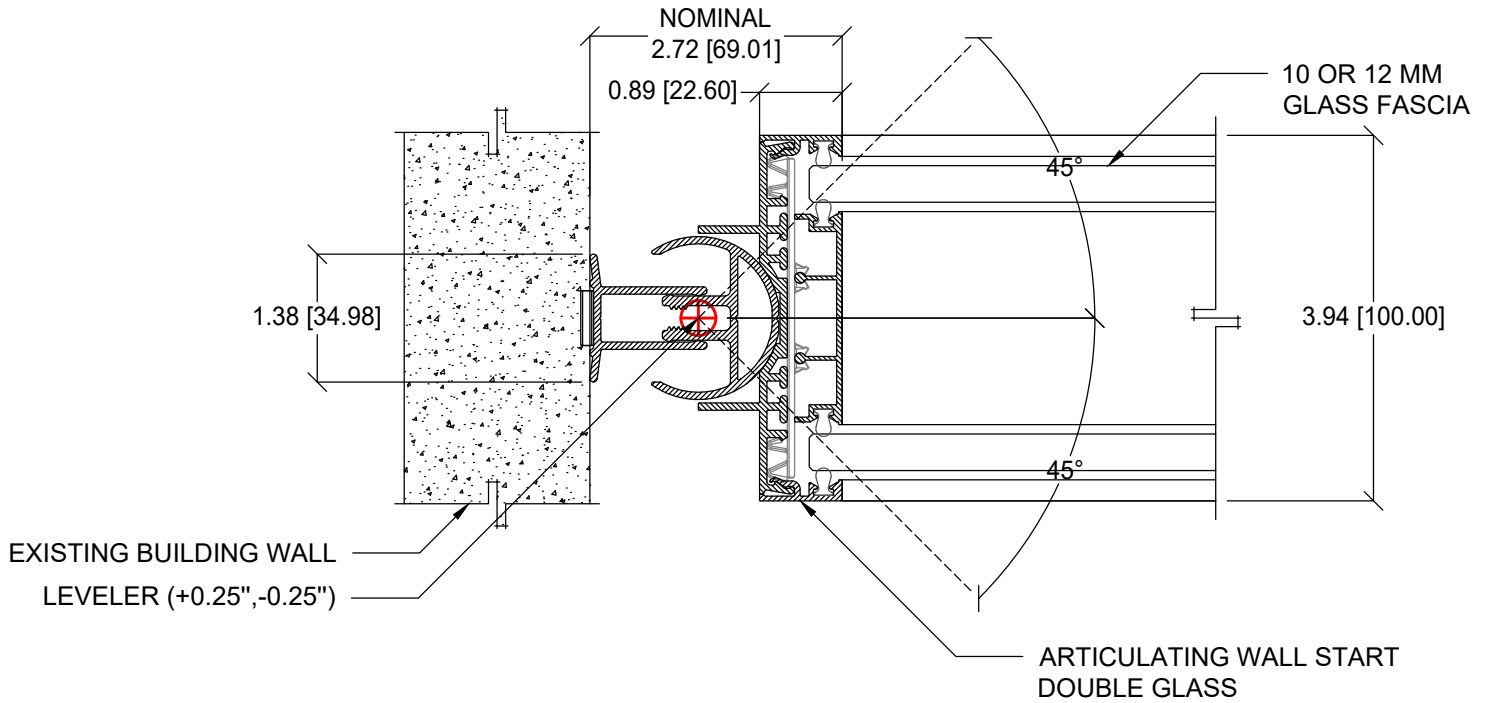
THIS DRAWING IS THE PROPERTY OF TEKNION LIMITED AND IS SUBJECT TO RETURN UPON DEMAND. IT MUST NOT BE SUBMITTED TO ANY OUTSIDE PARTIES FOR EXAMINATION WITHOUT TEKNION CONSENT. THIS DRAWING MUST NOT BE SCALED OR USED FOR CONSTRUCTION PURPOSES

teknion

Publish Date: Jan 14, 2026



1 ARTICULATING WALL START
C02 SINGLE CENTERED GLASS

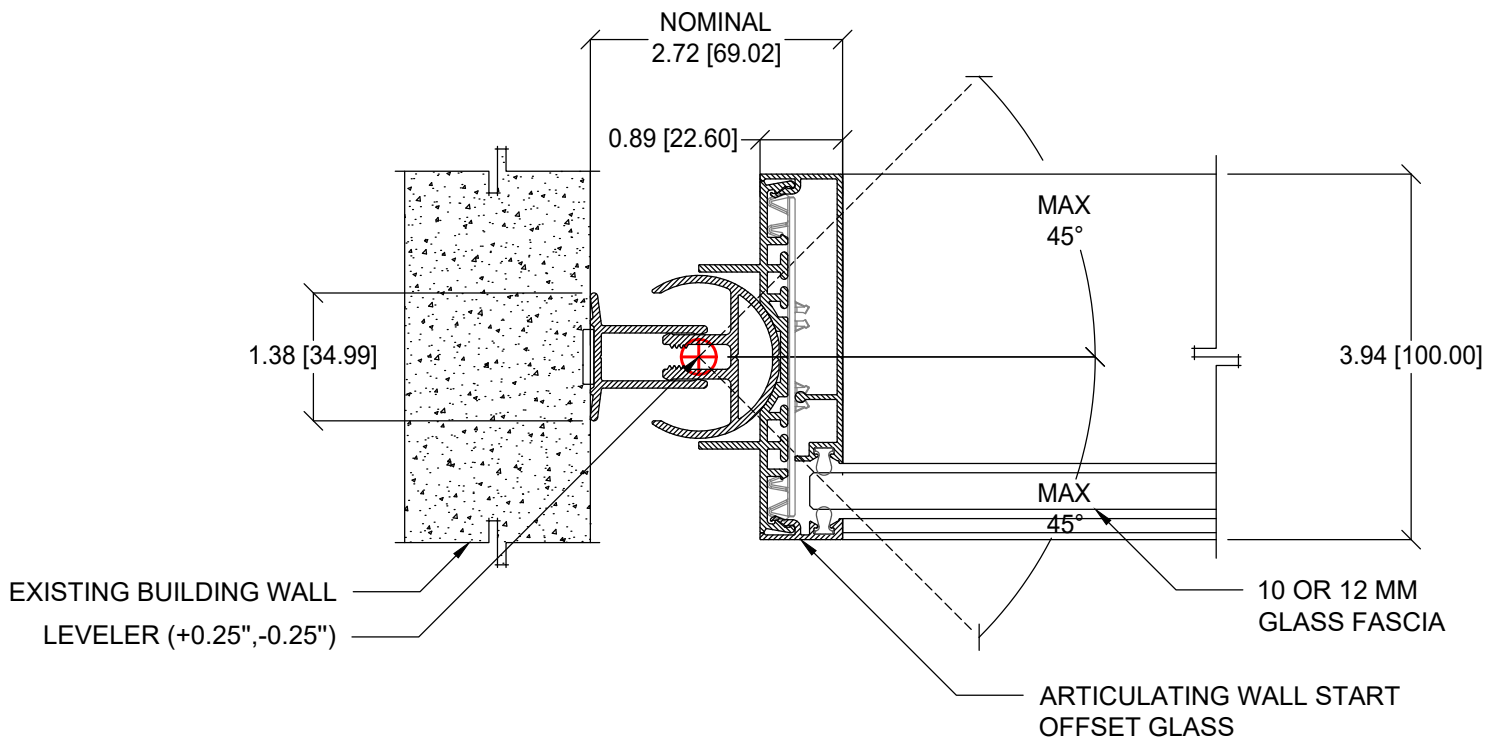


2 ARTICULATING WALL START
C02 DOUBLE GLASS

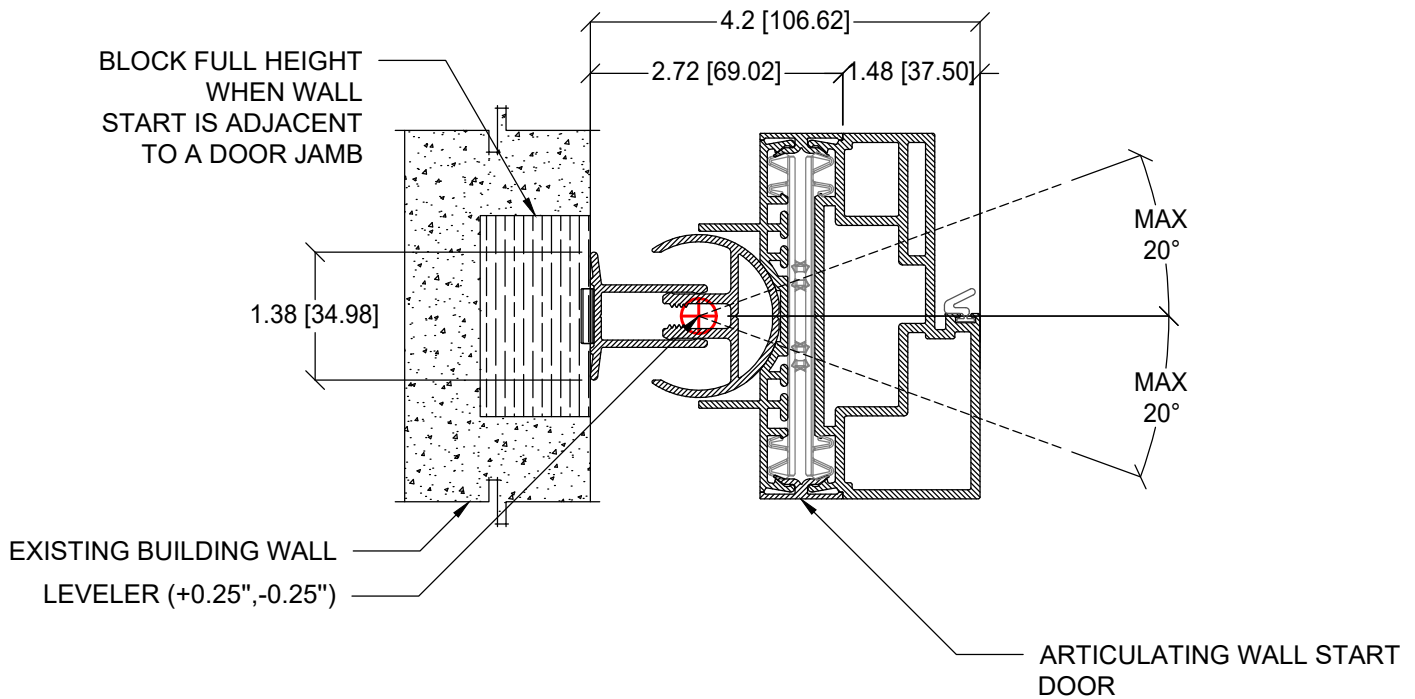
FOCUS - WALL STARTS

MODIFIED	September 22, 2025	UNIT	INCH	SCALE	1:2
----------	--------------------	------	------	-------	-----

THIS DRAWING IS THE PROPERTY OF TEKNION LIMITED AND IS SUBJECT TO RETURN UPON DEMAND. IT MUST NOT BE SUBMITTED TO ANY OUTSIDE PARTIES FOR EXAMINATION WITHOUT TEKNION CONSENT. THIS DRAWING MUST NOT BE SCALED OR USED FOR CONSTRUCTION PURPOSES



3 ARTICULATING WALL START
C02 OFFSET GLASS



4 ARTICULATING WALL START
C02 DOOR

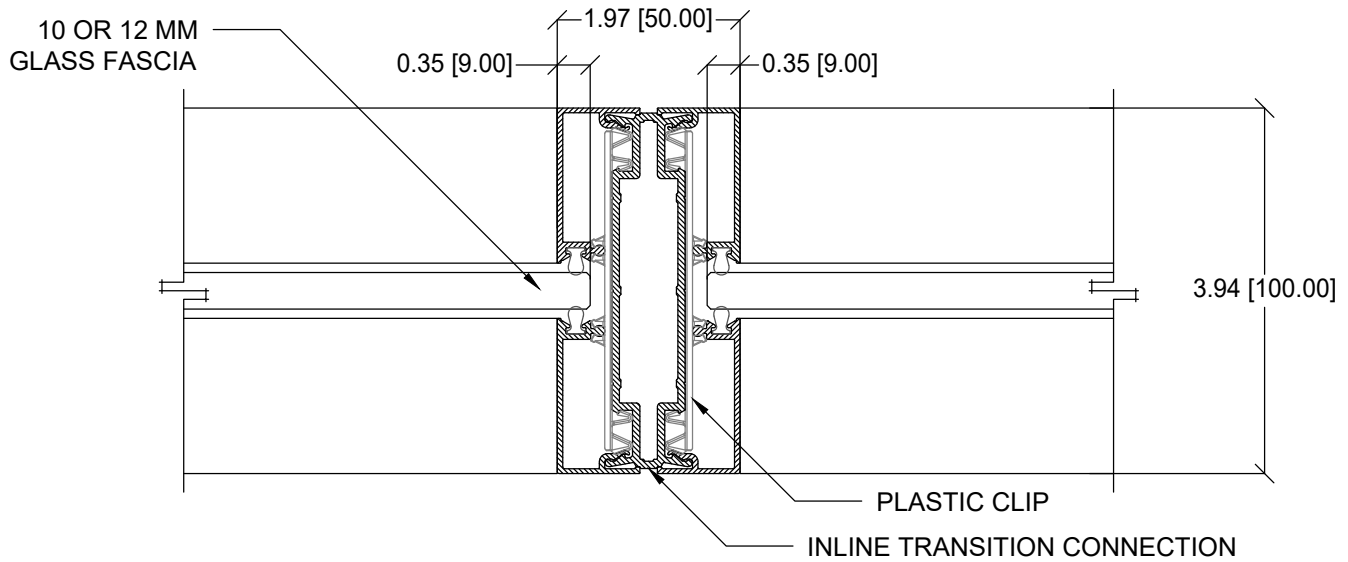
FOCUS - WALL STARTS

MODIFIED September 22, 2025 UNIT INCH SCALE 1:2

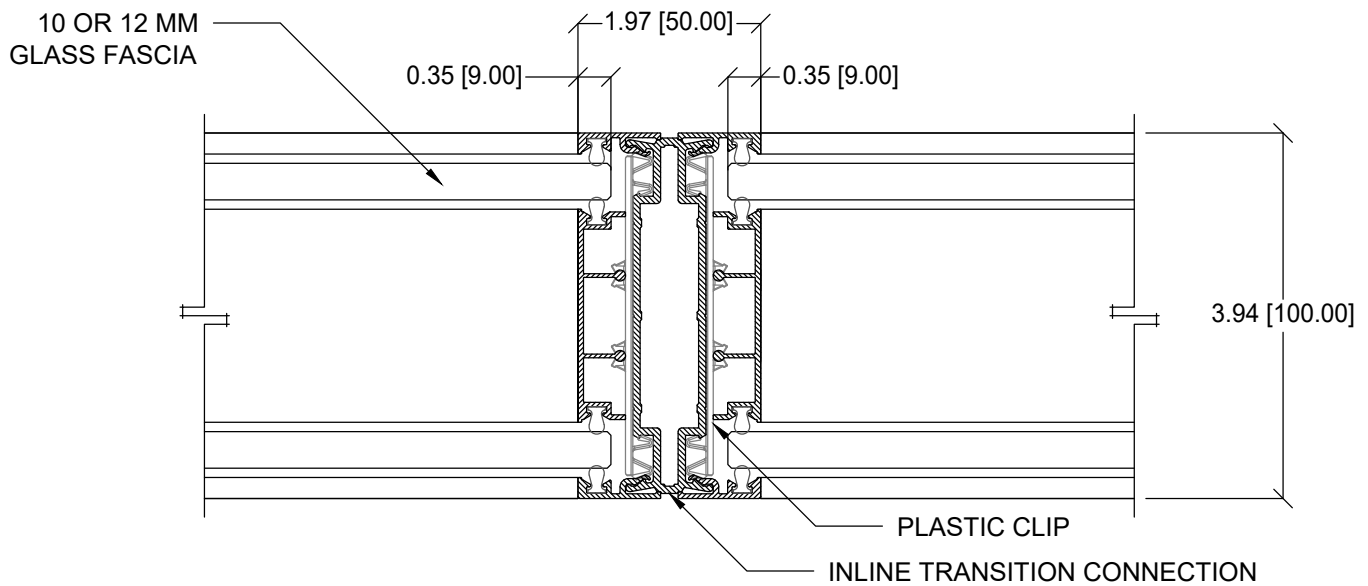
THIS DRAWING IS THE PROPERTY OF TEKNION LIMITED AND IS SUBJECT TO RETURN UPON DEMAND. IT MUST NOT BE SUBMITTED TO ANY OUTSIDE PARTIES FOR EXAMINATION WITHOUT TEKNION CONSENT. THIS DRAWING MUST NOT BE SCALED OR USED FOR CONSTRUCTION PURPOSES

teknion

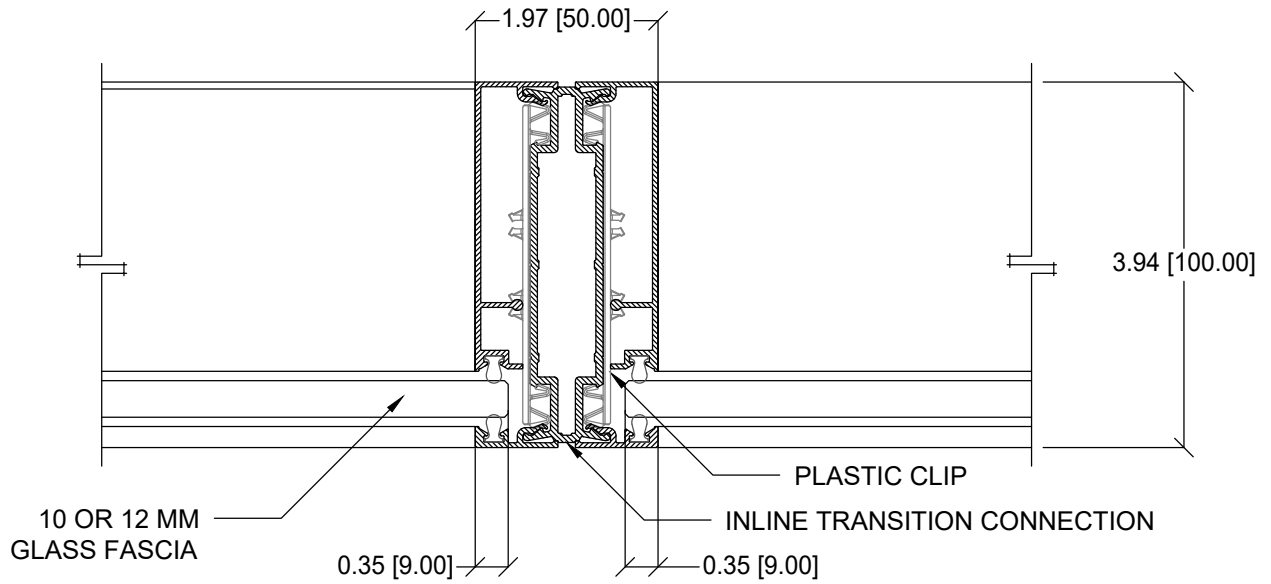
Publish Date: Jan 14, 2026



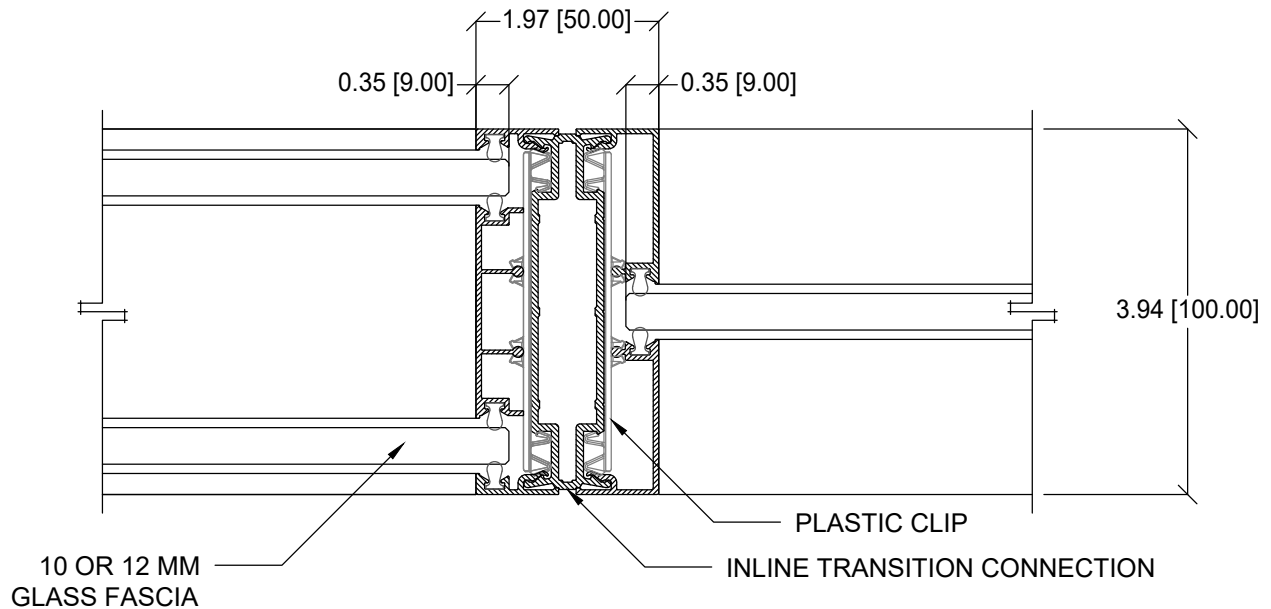
1 INLINE TRANSITION CONNECTION
 D01 SINGLE CENTERED GLASS TO SINGLE CENTERED GLASS



2 INLINE TRANSITION CONNECTION
 D01 DOUBLE GLASS TO DOUBLE GLASS



3
D01 INLINE TRANSITION CONNECTION
OFFSET TO OFFSET GLASS



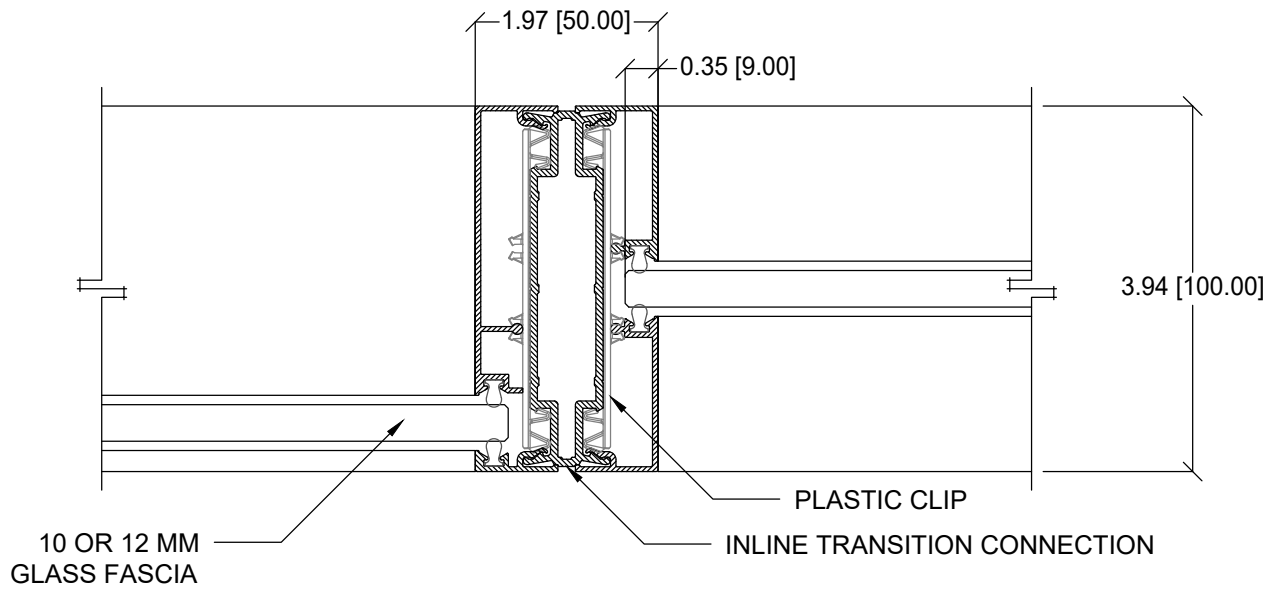
4
D01 INLINE TRANSITION CONNECTION
DOUBLE GLASS TO SINGLE CENTERED GLASS

FOCUS - TRANSITIONS & WALL ENDS

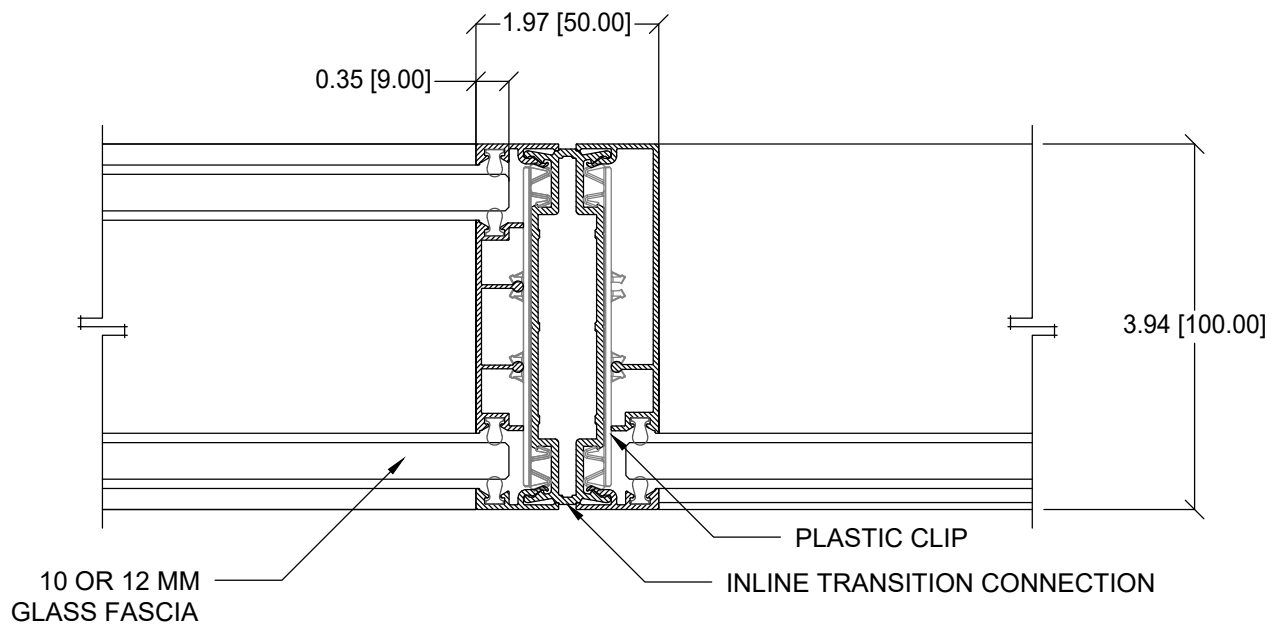
MODIFIED	September 22, 2025	UNIT	INCH	SCALE	1:2
----------	--------------------	------	------	-------	-----

THIS DRAWING IS THE PROPERTY OF TEKNION LIMITED AND IS SUBJECT TO RETURN UPON DEMAND. IT MUST NOT BE SUBMITTED TO ANY OUTSIDE PARTIES FOR EXAMINATION WITHOUT TEKNION CONSENT. THIS DRAWING MUST NOT BE SCALED OR USED FOR CONSTRUCTION PURPOSES





5 INLINE TRANSITION CONNECTION
 D01 OFFSET TO SINGLE CENTERED GLASS



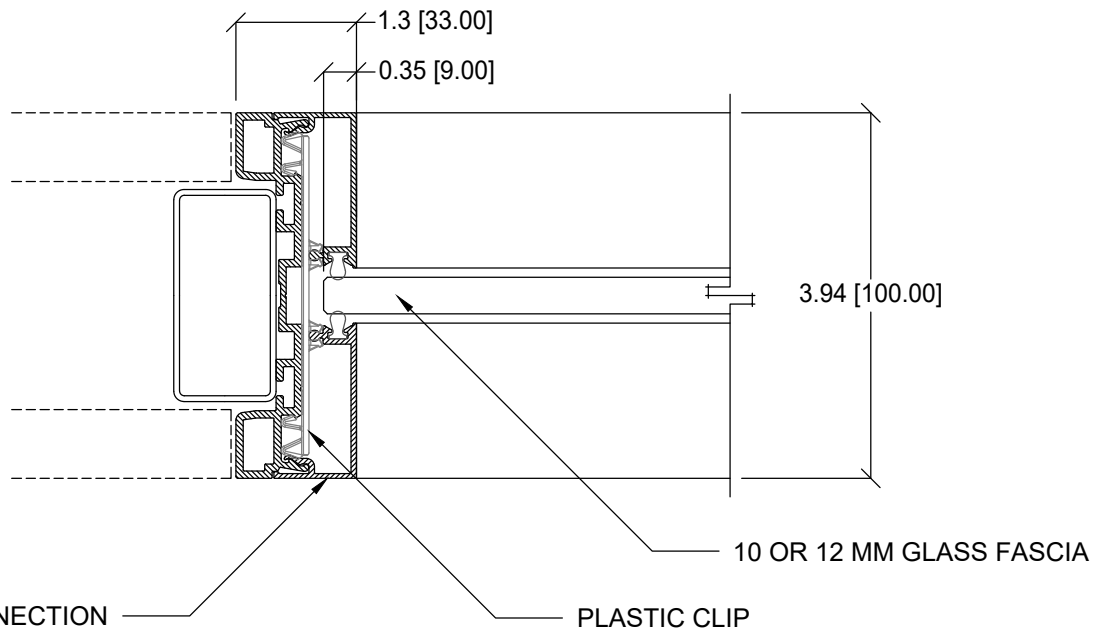
6 INLINE TRANSITION CONNECTION
 D01 DOUBLE GLASS TO OFFSET GLASS

FOCUS - TRANSITIONS & WALL ENDS

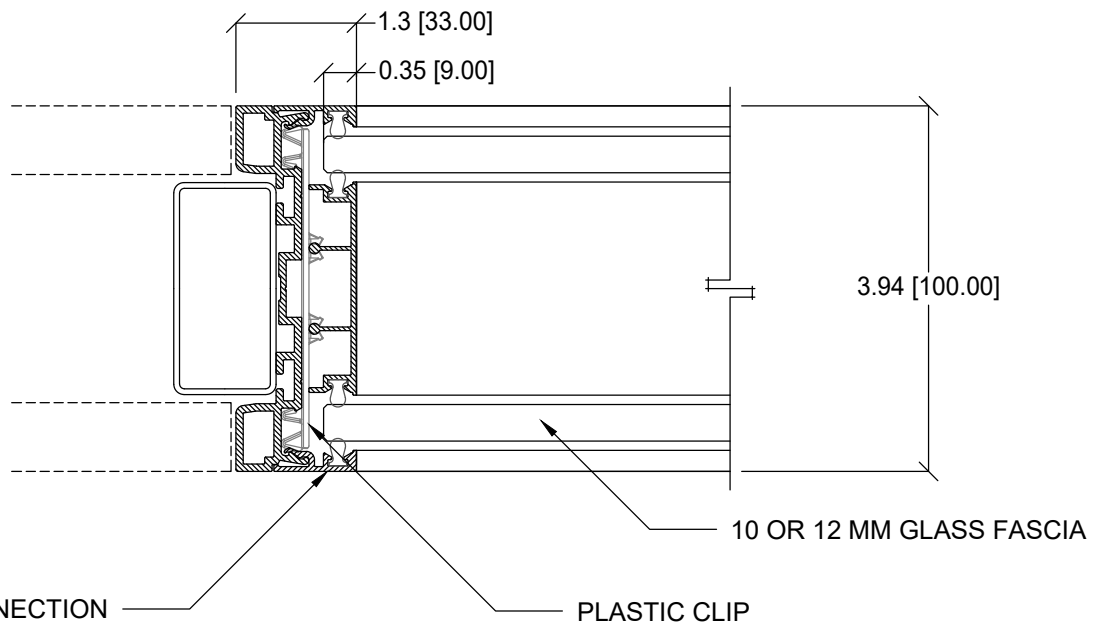
MODIFIED	September 22, 2025	UNIT	INCH	SCALE	1:2
----------	--------------------	------	------	-------	-----

THIS DRAWING IS THE PROPERTY OF TEKNION LIMITED AND IS SUBJECT TO RETURN UPON DEMAND. IT MUST NOT BE SUBMITTED TO ANY OUTSIDE PARTIES FOR EXAMINATION WITHOUT TEKNION CONSENT. THIS DRAWING MUST NOT BE SCALED OR USED FOR CONSTRUCTION PURPOSES





1 ALTOS TRANSITION
D02 SINGLE CENTERED GLASS



2 ALTOS TRANSITION
D02 DOUBLE GLASS

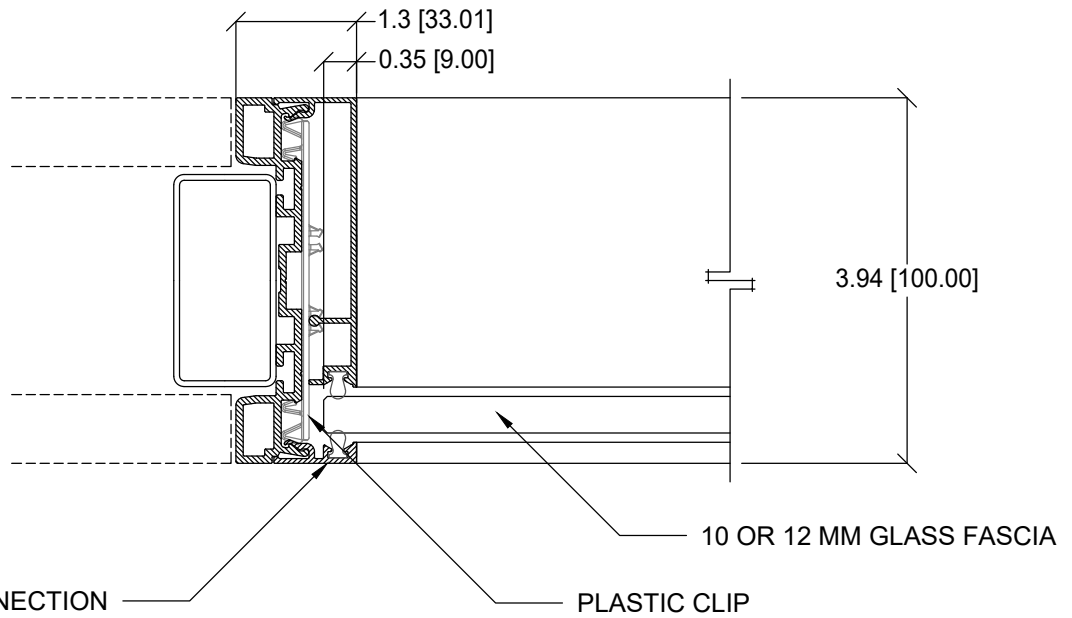
FOCUS - TRANSITIONS & WALL ENDS

MODIFIED	September 22, 2025	UNIT	INCH	SCALE	1:2
----------	--------------------	------	------	-------	-----

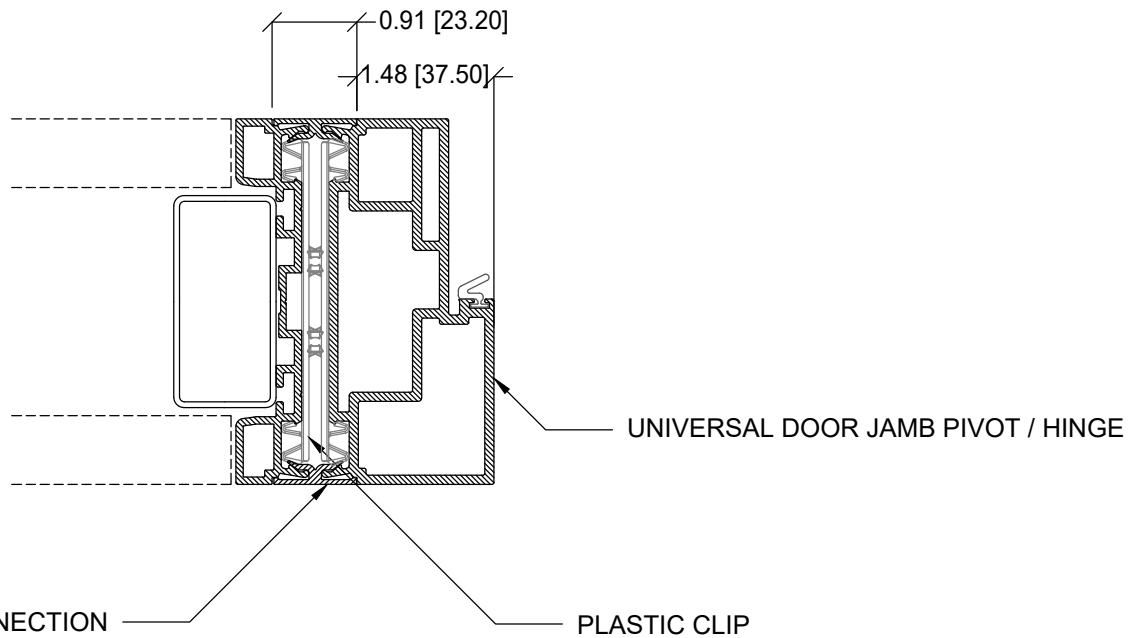
THIS DRAWING IS THE PROPERTY OF TEKNION LIMITED AND IS SUBJECT TO RETURN UPON DEMAND. IT MUST NOT BE SUBMITTED TO ANY OUTSIDE PARTIES FOR EXAMINATION WITHOUT TEKNION CONSENT. THIS DRAWING MUST NOT BE SCALED OR USED FOR CONSTRUCTION PURPOSES

teknion

Publish Date: Jan 14, 2026



3 ALTOS TRANSITION
D02 OFFSET GLASS



4 ALTOS TRANSITION
D02 DOOR

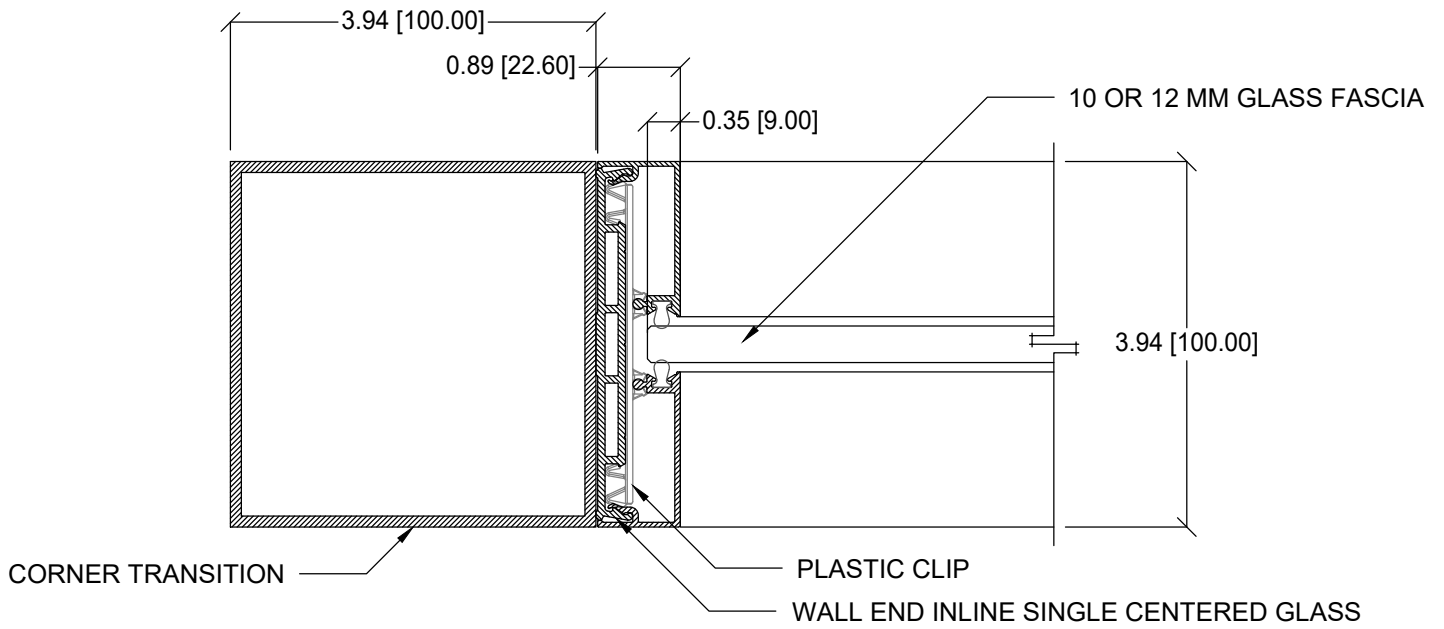
FOCUS - TRANSITIONS & WALL ENDS

MODIFIED	September 22, 2025	UNIT	INCH	SCALE	1:2
----------	--------------------	------	------	-------	-----

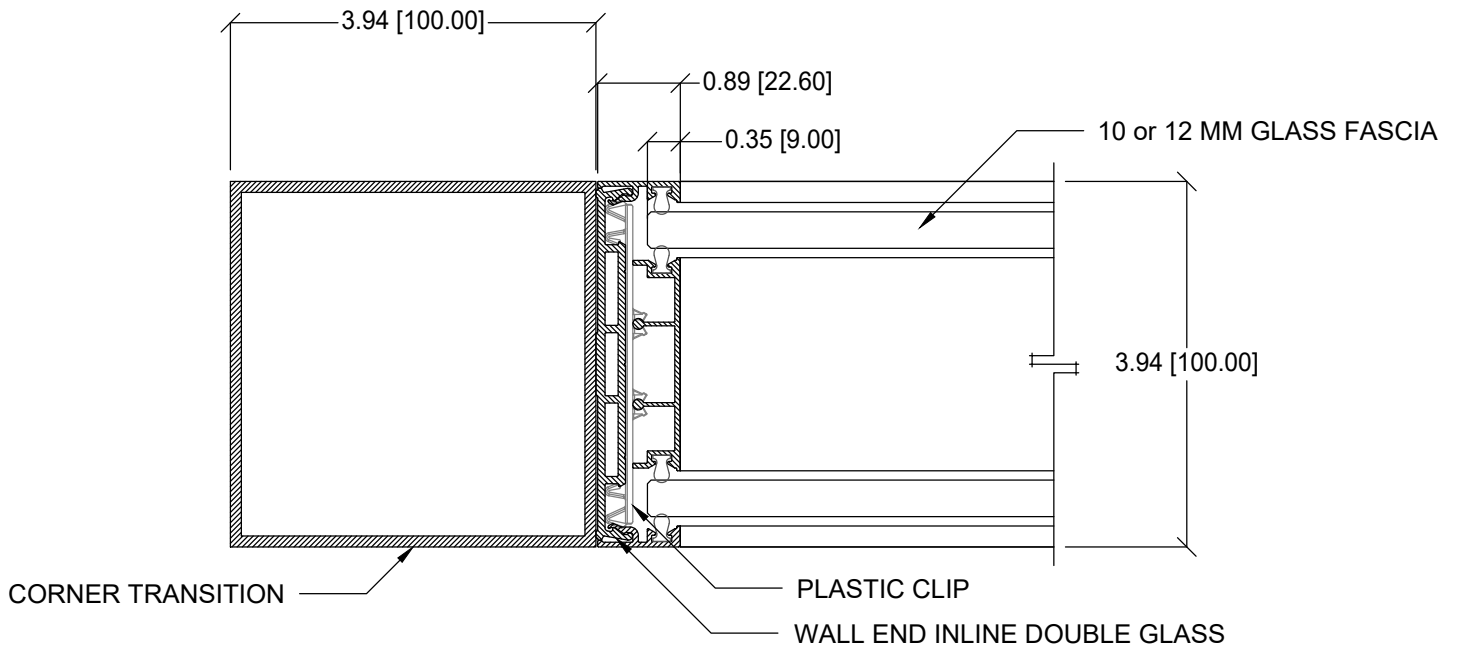
THIS DRAWING IS THE PROPERTY OF TEKNION LIMITED AND IS SUBJECT TO RETURN UPON DEMAND. IT MUST NOT BE SUBMITTED TO ANY OUTSIDE PARTIES FOR EXAMINATION WITHOUT TEKNION CONSENT. THIS DRAWING MUST NOT BE SCALED OR USED FOR CONSTRUCTION PURPOSES

teknion

Publish Date: Jan 14, 2026



1 WALL END
D03 SINGLE CENTERED GLASS



2 WALL END
D03 DOUBLE GLASS

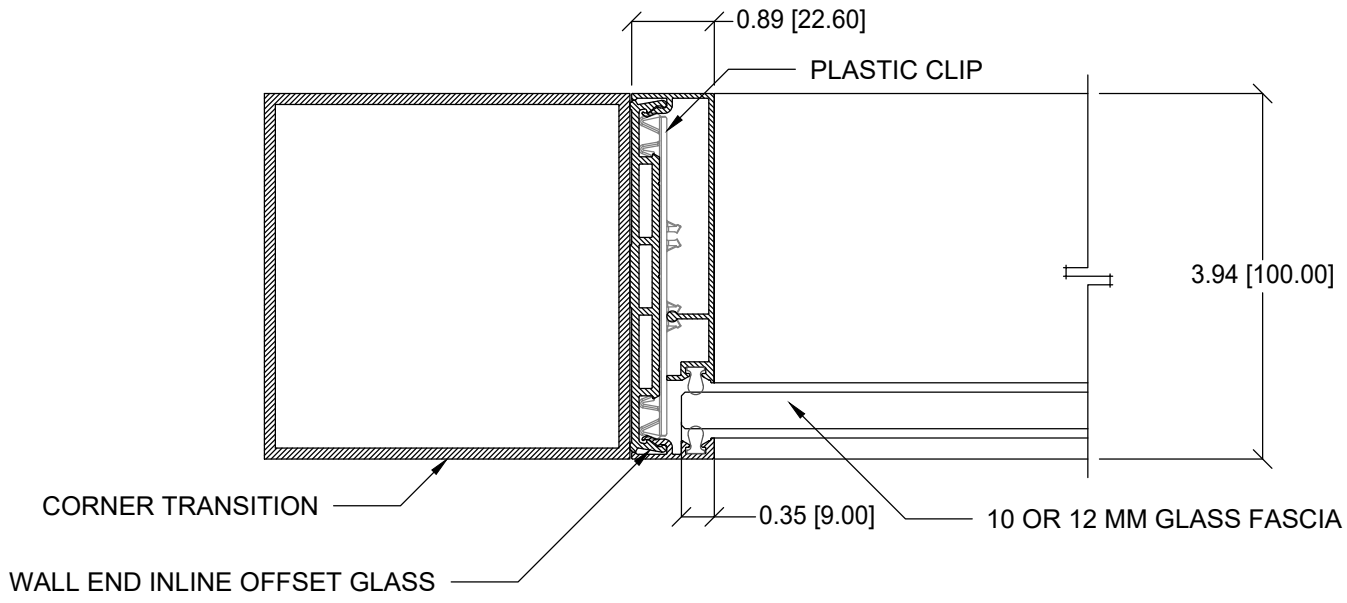
FOCUS - TRANSITIONS & WALL ENDS

MODIFIED	September 22, 2025	UNIT	INCH	SCALE	1:2
----------	--------------------	------	------	-------	-----

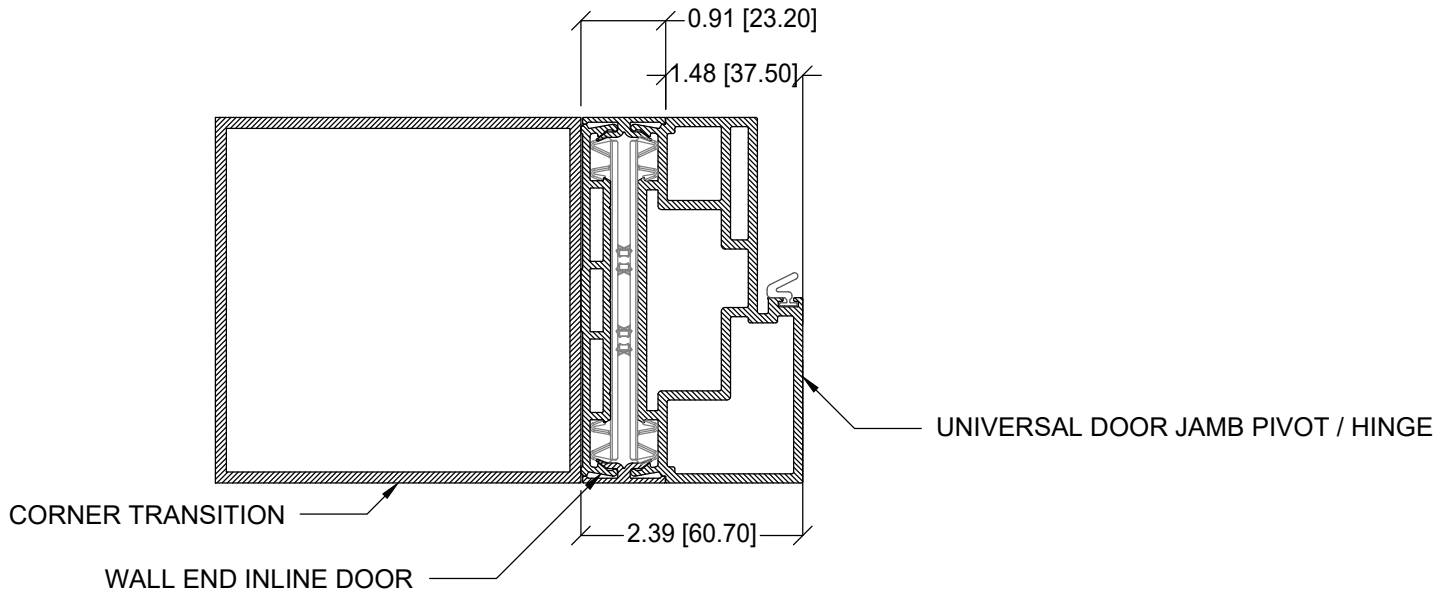
THIS DRAWING IS THE PROPERTY OF TEKNION LIMITED AND IS SUBJECT TO RETURN UPON DEMAND. IT MUST NOT BE SUBMITTED TO ANY OUTSIDE PARTIES FOR EXAMINATION WITHOUT TEKNION CONSENT. THIS DRAWING MUST NOT BE SCALED OR USED FOR CONSTRUCTION PURPOSES



Publish Date: Jan 14, 2026



3 WALL END
D03 OFFSET GLASS



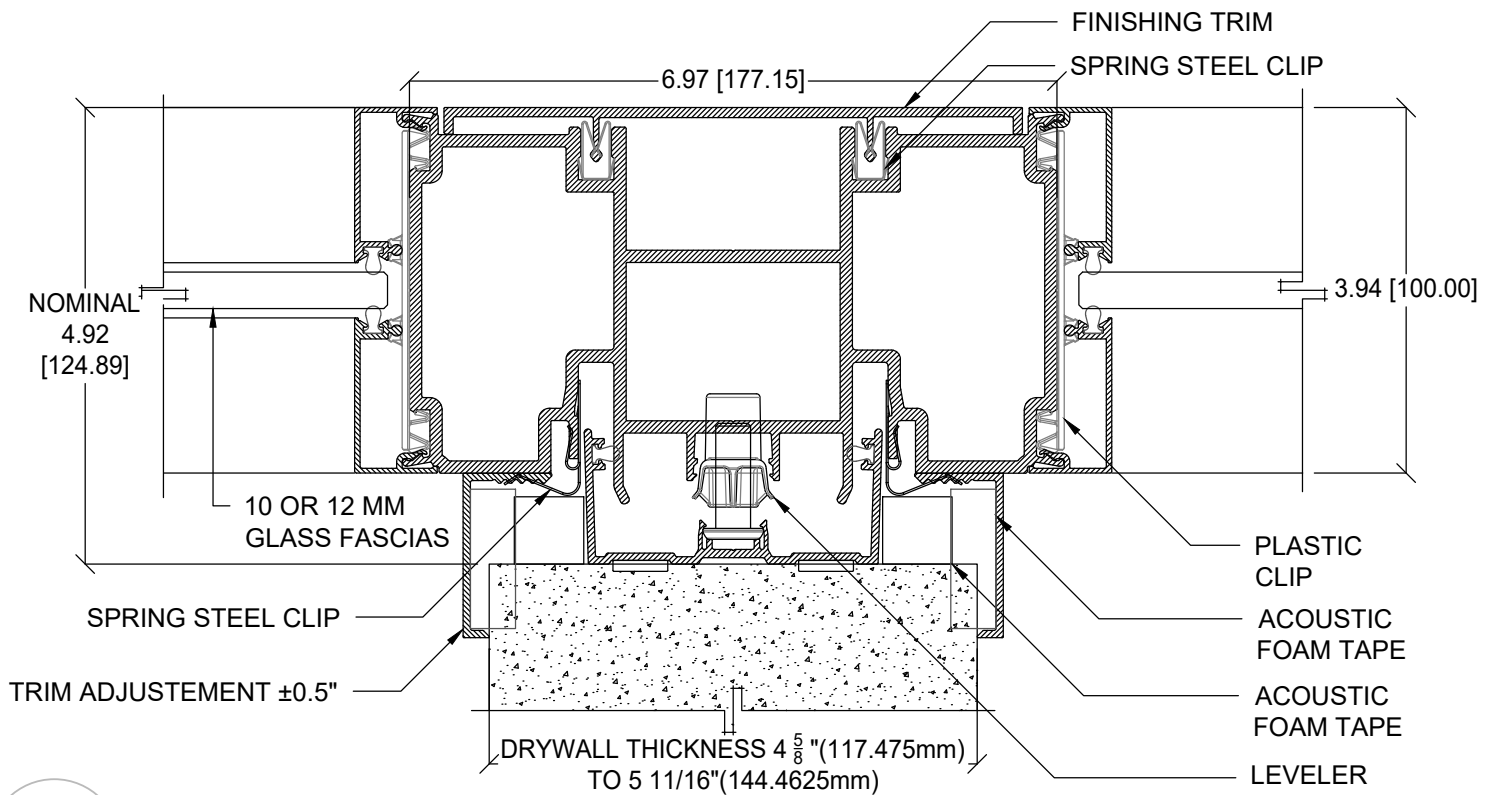
4 WALL END
D03 DOOR

FOCUS - TRANSITIONS & WALL ENDS

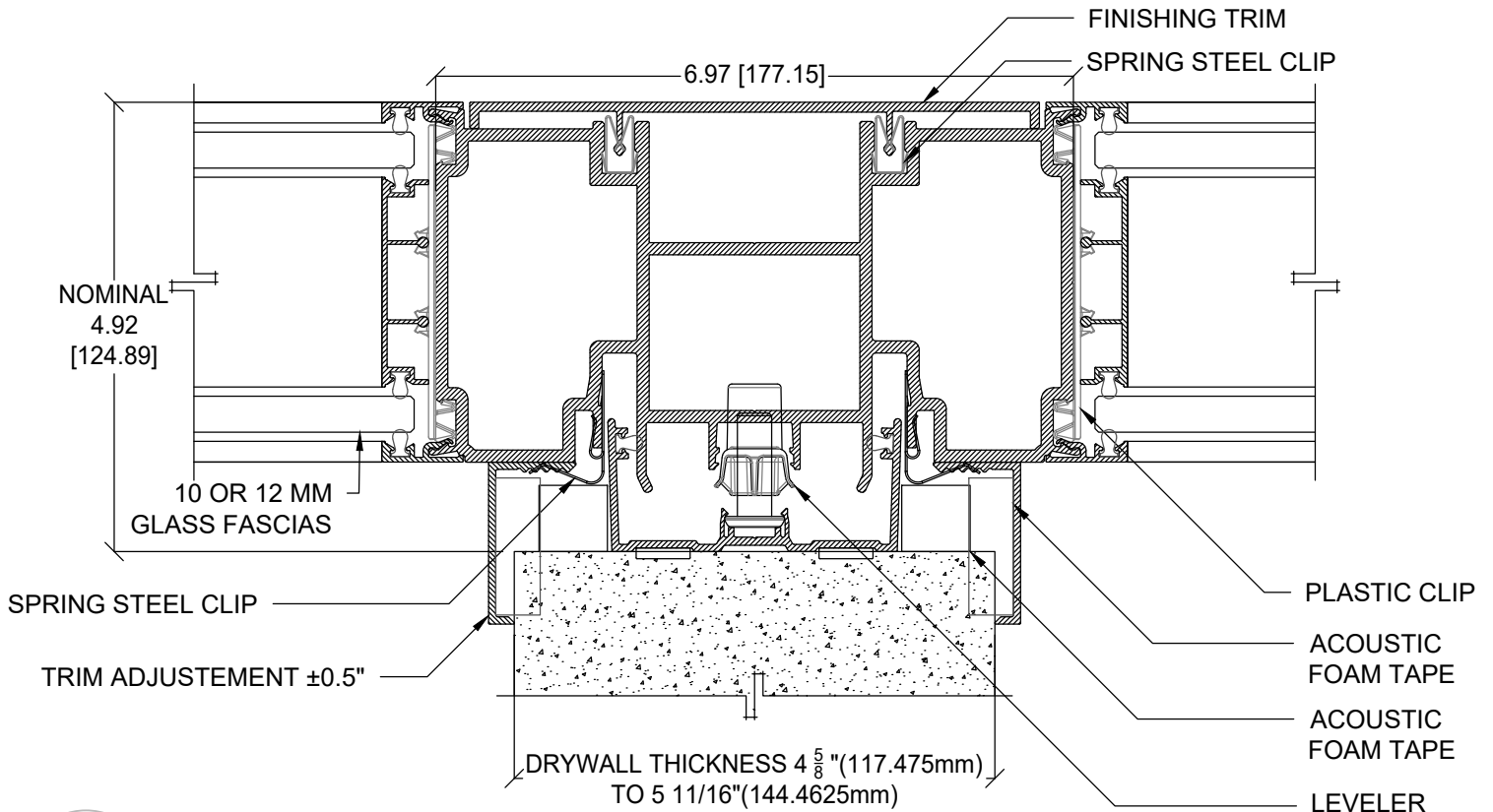
MODIFIED	September 22, 2025	UNIT	INCH	SCALE	1:2
----------	--------------------	------	------	-------	-----

THIS DRAWING IS THE PROPERTY OF TEKNION LIMITED AND IS SUBJECT TO RETURN UPON DEMAND. IT MUST NOT BE SUBMITTED TO ANY OUTSIDE PARTIES FOR EXAMINATION WITHOUT TEKNION CONSENT. THIS DRAWING MUST NOT BE SCALED OR USED FOR CONSTRUCTION PURPOSES





1 DRYWALL FLY-BY TRANSITION INLINE
 D04 SINGLE CENTERED GLASS TO SINGLE CENTERED GLASS

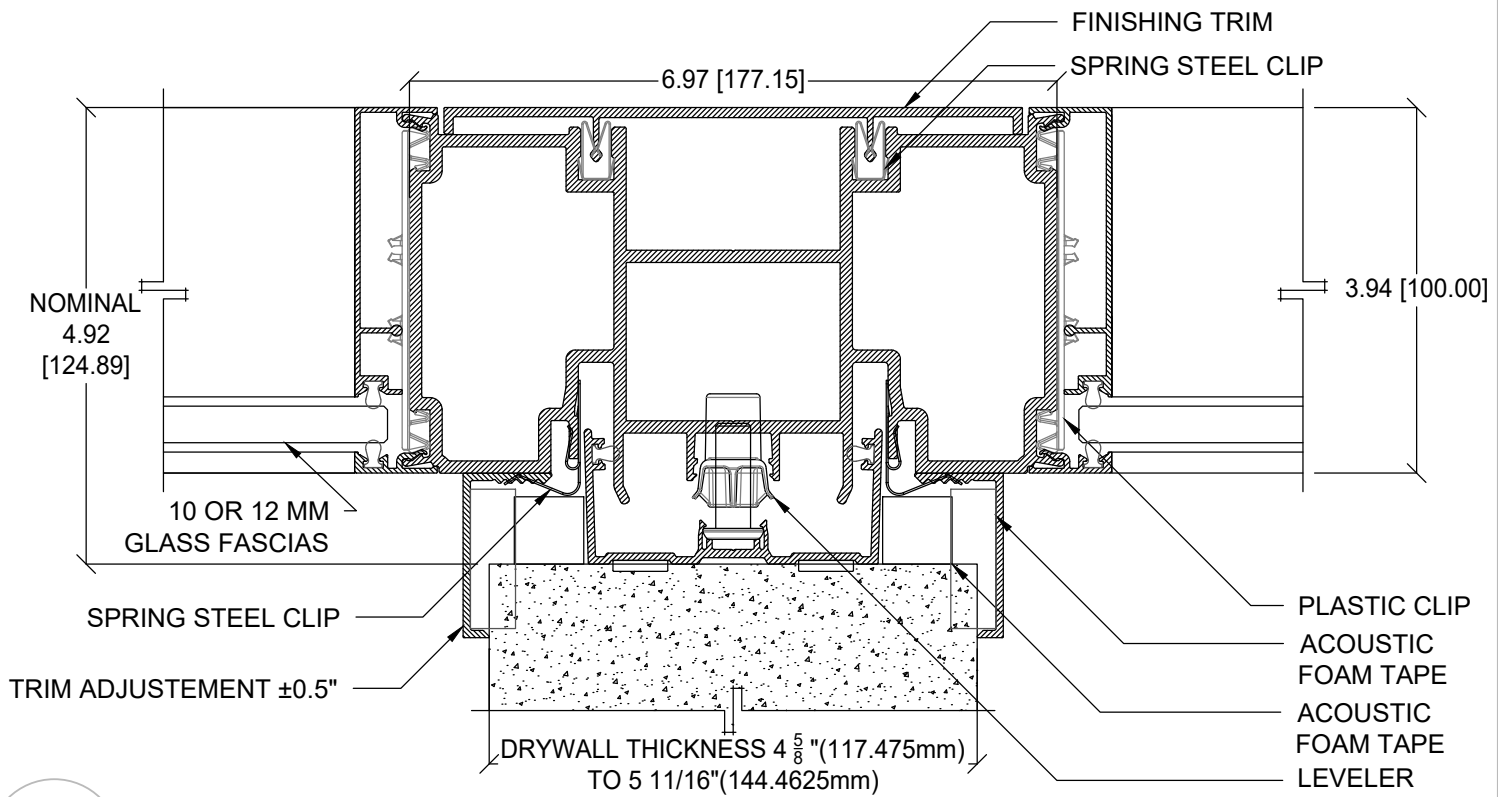


2 DRYWALL FLY-BY TRANSITION INLINE
 D04 DOUBLE GLASS TO DOUBLE GLASS

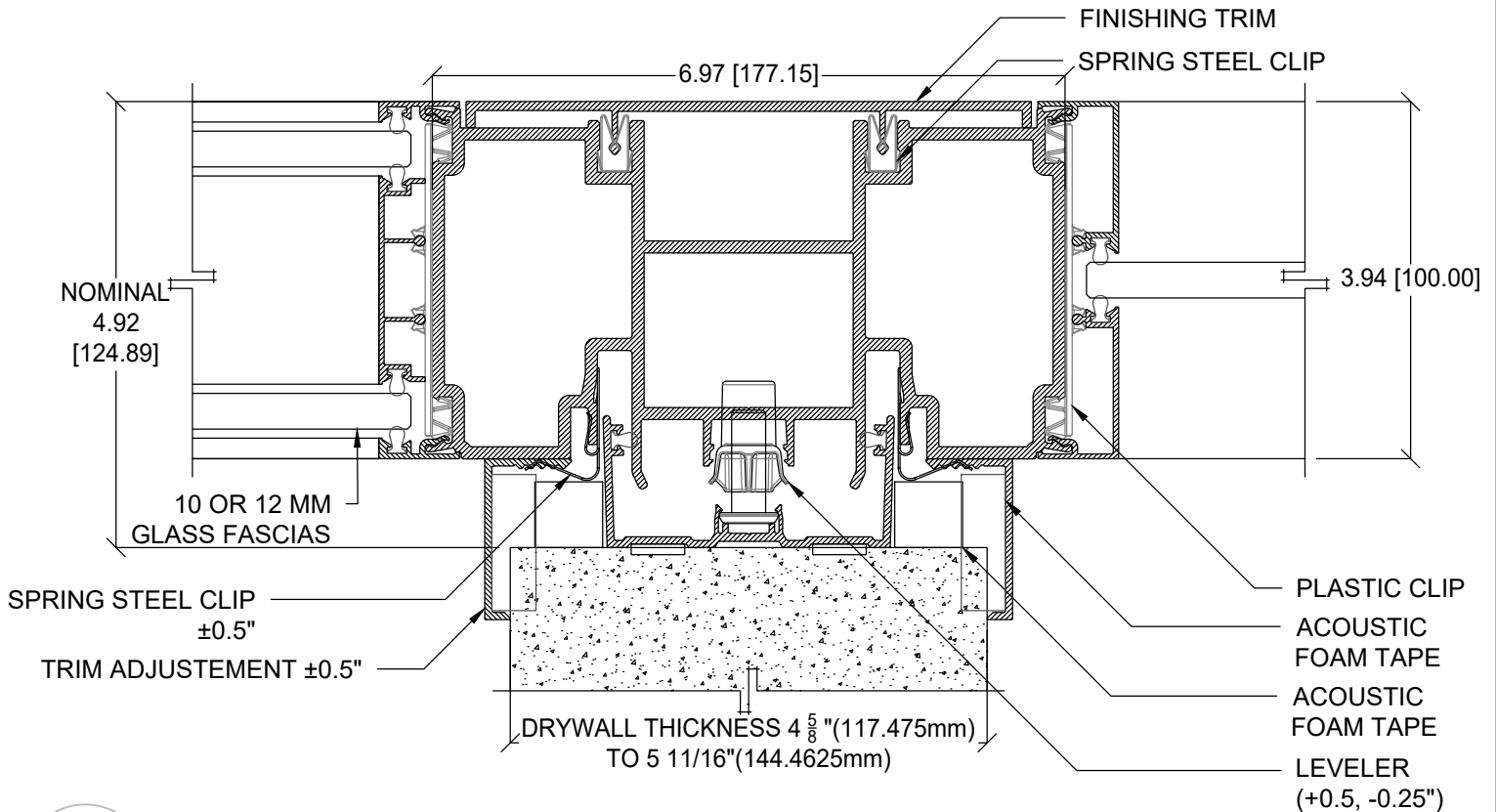
FOCUS - TRANSITIONS & WALL ENDS

MODIFIED	September 22, 2025	UNIT	INCH	SCALE	1:2
----------	--------------------	------	------	-------	-----

THIS DRAWING IS THE PROPERTY OF TEKNION LIMITED AND IS SUBJECT TO RETURN UPON DEMAND. IT MUST NOT BE SUBMITTED TO ANY OUTSIDE PARTIES FOR EXAMINATION WITHOUT TEKNION CONSENT. THIS DRAWING MUST NOT BE SCALED OR USED FOR CONSTRUCTION PURPOSES



3 DRYWALL FLY-BY TRANSITION INLINE
 D04 OFFSET GLASS TO OFFSET GLASS

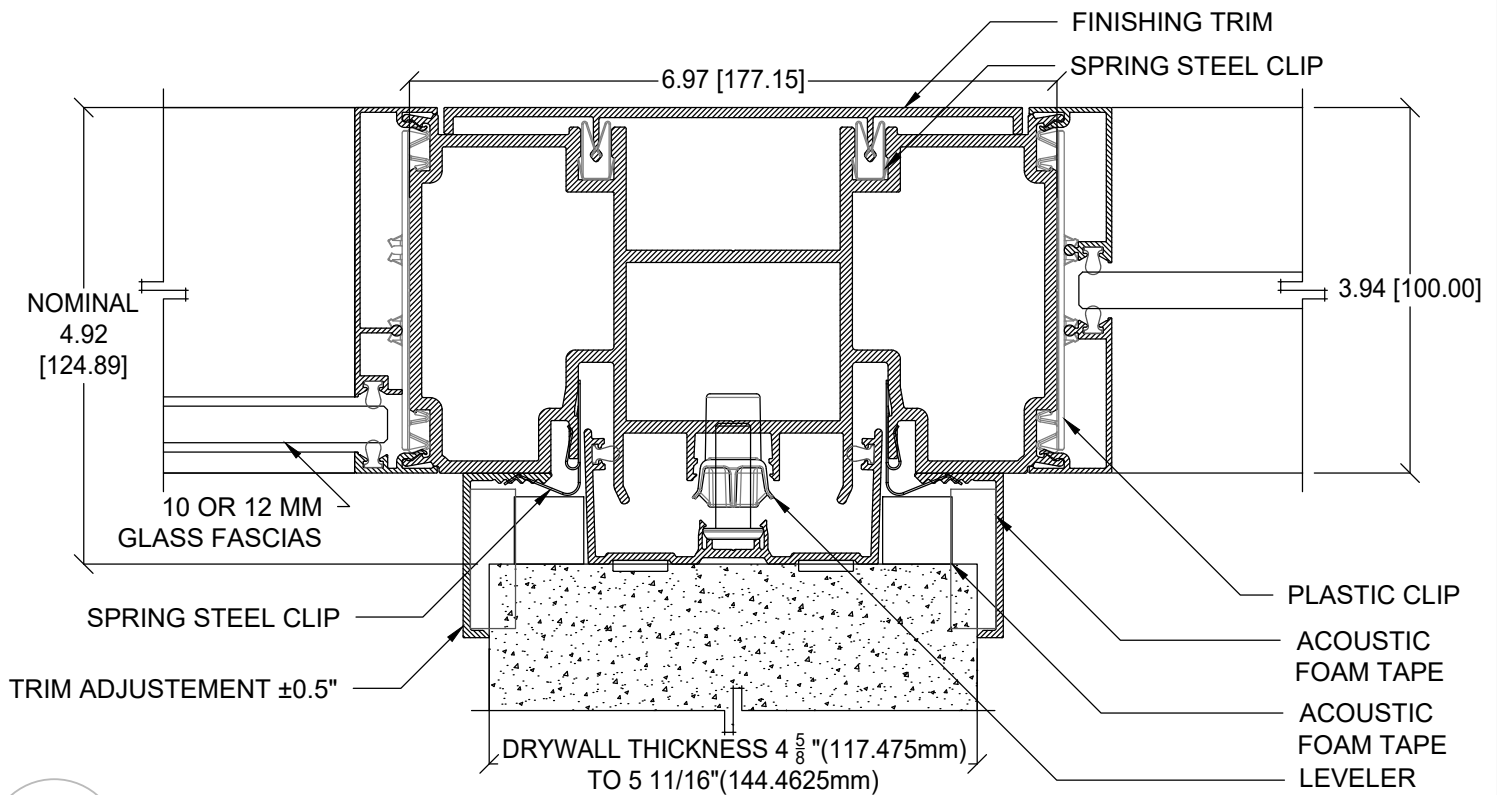


4 DRYWALL FLY-BY TRANSITION INLINE
 D04 DOUBLE GLASS TO SINGLE CENTERED GLASS

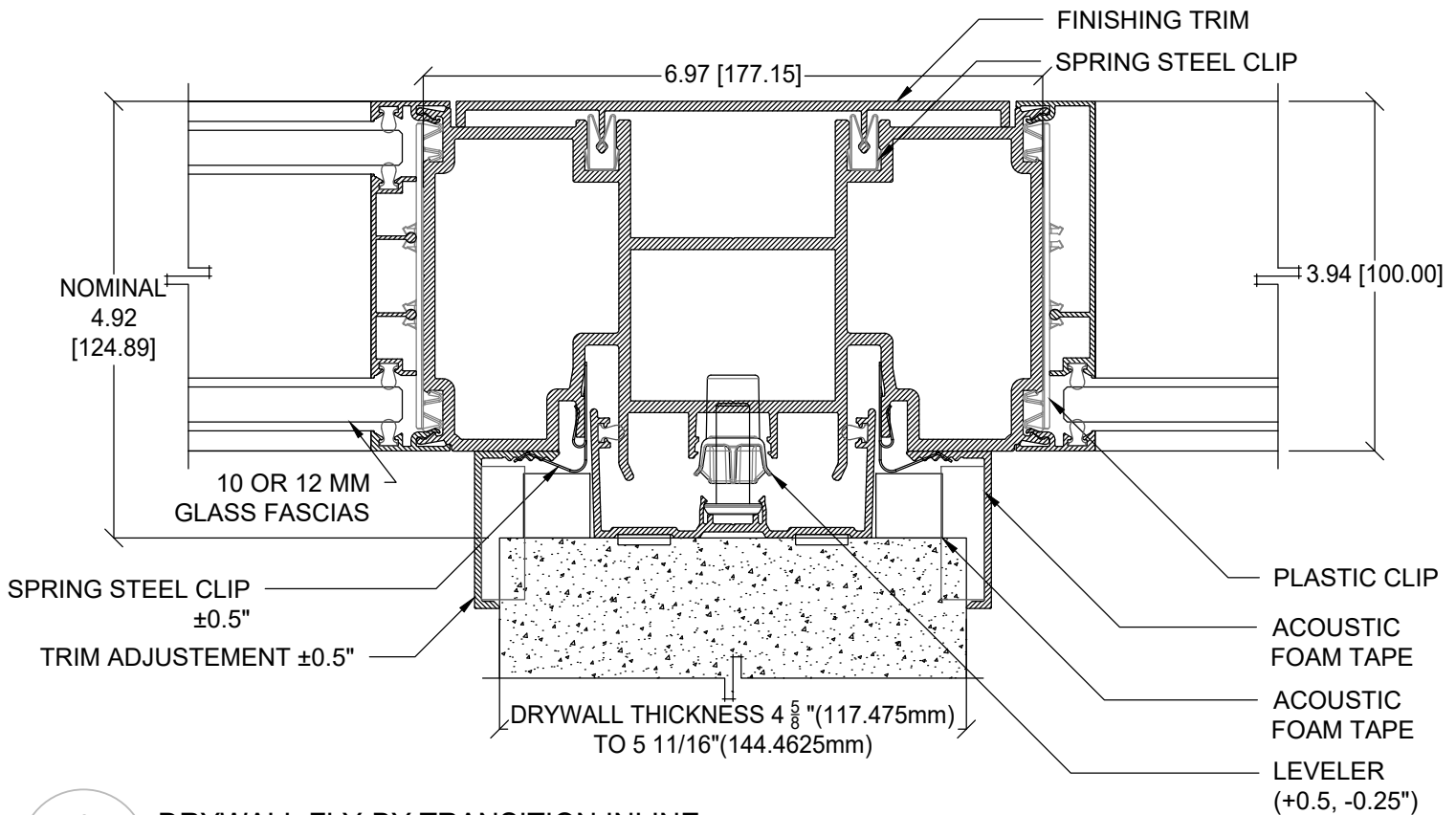
FOCUS - TRANSITIONS & WALL ENDS

MODIFIED September 22, 2025 UNIT INCH SCALE 1:2

THIS DRAWING IS THE PROPERTY OF TEKNION LIMITED AND IS SUBJECT TO RETURN UPON DEMAND. IT MUST NOT BE SUBMITTED TO ANY OUTSIDE PARTIES FOR EXAMINATION WITHOUT TEKNION CONSENT. THIS DRAWING MUST NOT BE SCALED OR USED FOR CONSTRUCTION PURPOSES



5 DRYWALL FLY-BY TRANSITION INLINE
 D04 OFFSET GLASS TO SINGLE CENTERED GLASS

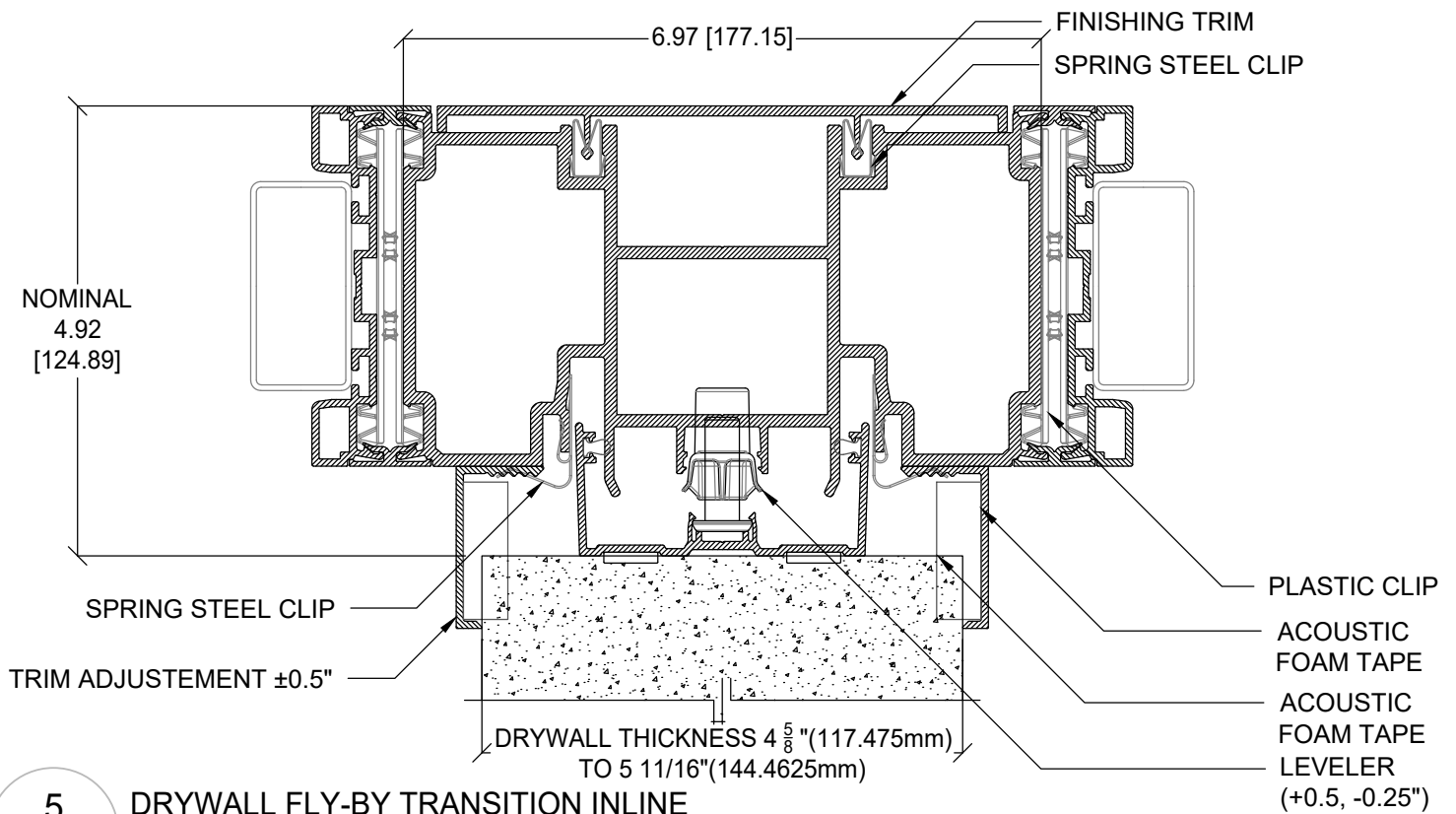


6 DRYWALL FLY-BY TRANSITION INLINE
 D04 DOUBLE GLASS TO OFFSET GLASS

FOCUS - TRANSITIONS & WALL ENDS

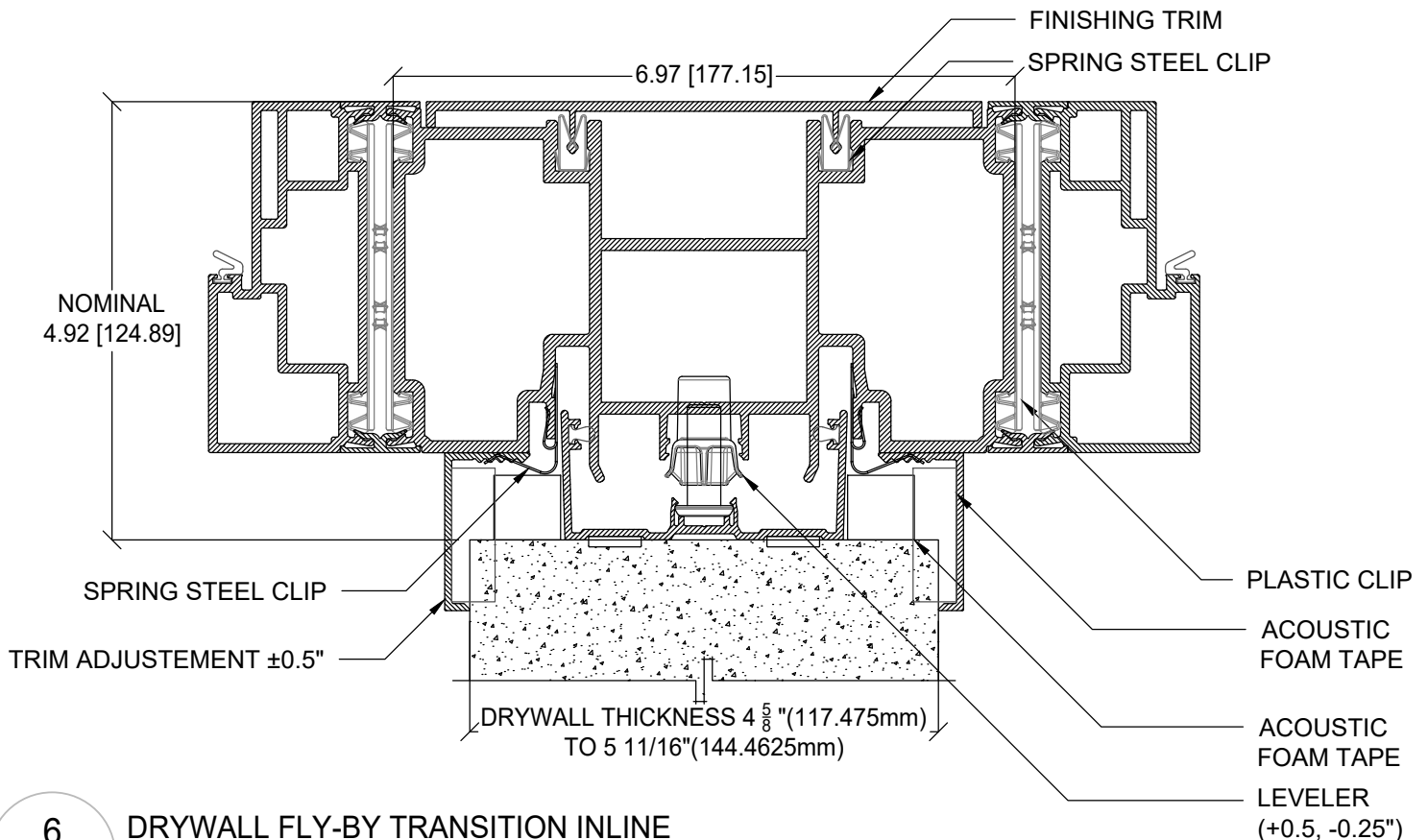
MODIFIED September 22, 2025 UNIT INCH SCALE 1:2

THIS DRAWING IS THE PROPERTY OF TEKNION LIMITED AND IS SUBJECT TO RETURN UPON DEMAND. IT MUST NOT BE SUBMITTED TO ANY OUTSIDE PARTIES FOR EXAMINATION WITHOUT TEKNION CONSENT. THIS DRAWING MUST NOT BE SCALED OR USED FOR CONSTRUCTION PURPOSES



5
D04

DRYWALL FLY-BY TRANSITION INLINE
ALTOS TO ALTOS



6
D04

DRYWALL FLY-BY TRANSITION INLINE
DOOR TO DOOR

FOCUS - TRANSITIONS & WALL ENDS

MODIFIED	September 22, 2025	UNIT	INCH	SCALE	1:2
----------	--------------------	------	------	-------	-----

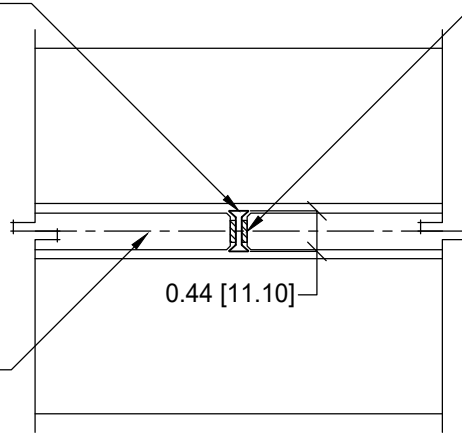
THIS DRAWING IS THE PROPERTY OF TEKNION LIMITED AND IS SUBJECT TO RETURN UPON DEMAND. IT MUST NOT BE SUBMITTED TO ANY OUTSIDE PARTIES FOR EXAMINATION WITHOUT TEKNION CONSENT. THIS DRAWING MUST NOT BE SCALED OR USED FOR CONSTRUCTION PURPOSES

GLASS CONNECTOR KIT-INLINE
CLEAR PLASTIC
10 MM

1.5 MM VHB TAPE

10 MM GLASS FASCIA

0.44 [11.10]



1

GLASS CONNECTOR KIT

E01

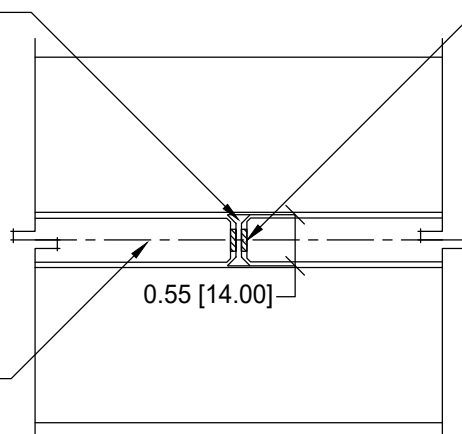
INLINE CLEAR PLASTIC - 10MM

GLASS CONNECTOR KIT-INLINE
CLEAR PLASTIC
12 MM

1.5 MM VHB TAPE

12 MM GLASS FASCIA

0.55 [14.00]



2

GLASS CONNECTOR KIT

E01

INLINE CLEAR PLASTIC - 12MM

FOCUS - GLASS FASCIAS & CONNECTORS

MODIFIED

September 22, 2025

UNIT

INCH

SCALE

1:2

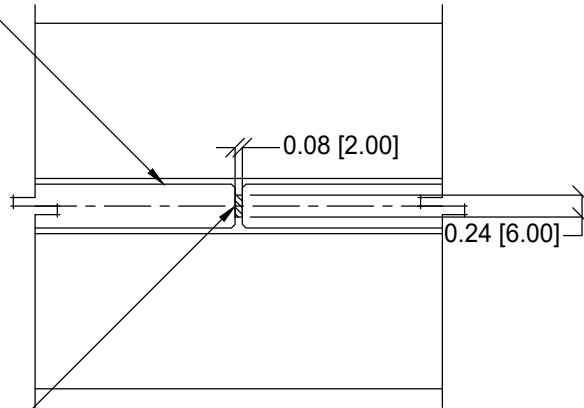
THIS DRAWING IS THE PROPERTY OF TEKNION LIMITED AND IS SUBJECT TO RETURN UPON DEMAND. IT MUST NOT BE SUBMITTED TO ANY OUTSIDE PARTIES FOR EXAMINATION WITHOUT TEKNION CONSENT. THIS DRAWING MUST NOT BE SCALED OR USED FOR CONSTRUCTION PURPOSES

teknion

Publish Date: Jan 14, 2026

10 OR 12 MM GLASS FASCIA
(12 MM SHOWN)

2 MM VHB TAPE



3

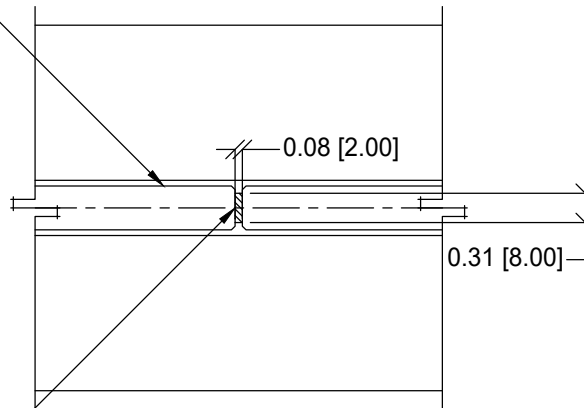
GLASS CONNECTOR KIT

E01

INLINE TAPE - 10MM

10 OR 12 MM GLASS FASCIA
(12 MM SHOWN)

2 MM VHB TAPE



4

GLASS CONNECTOR KIT

E01

INLINE TAPE - 12MM

FOCUS - GLASS FASCIAS & CONNECTORS

MODIFIED

September 22, 2025

UNIT

INCH

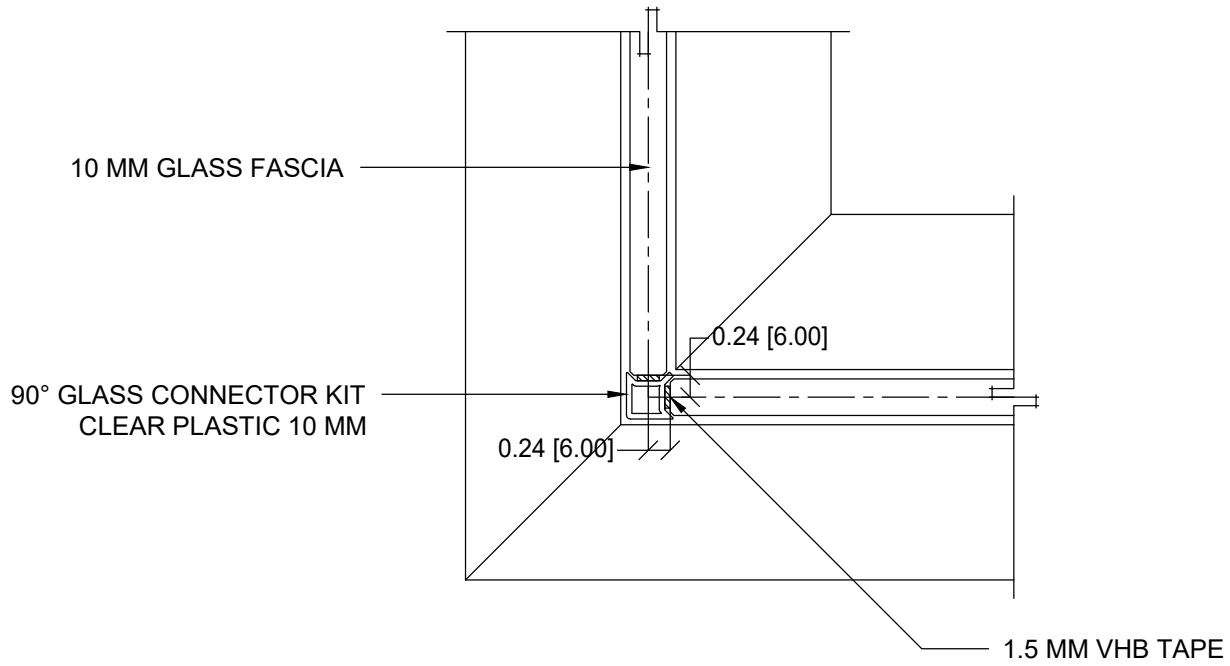
SCALE

1:2

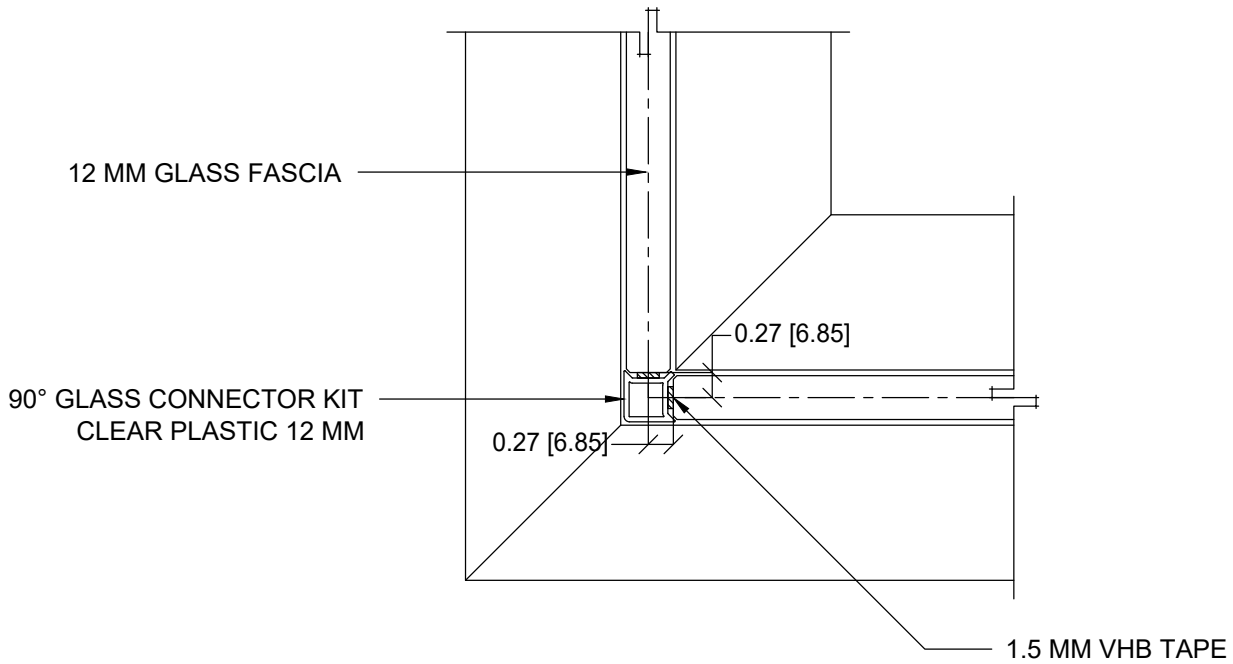
THIS DRAWING IS THE PROPERTY OF TEKNION LIMITED AND IS SUBJECT TO RETURN UPON DEMAND. IT MUST NOT BE SUBMITTED TO ANY OUTSIDE PARTIES FOR EXAMINATION WITHOUT TEKNION CONSENT. THIS DRAWING MUST NOT BE SCALED OR USED FOR CONSTRUCTION PURPOSES

teknion

Publish Date: Jan 14, 2026



1 90° GLASS CONNECTOR KIT
E02 SINGLE CENTERED GLASS - PLASTIC - 10MM



2 90° GLASS CONNECTOR KIT
E02 SINGLE CENTERED GLASS - PLASTIC - 12MM

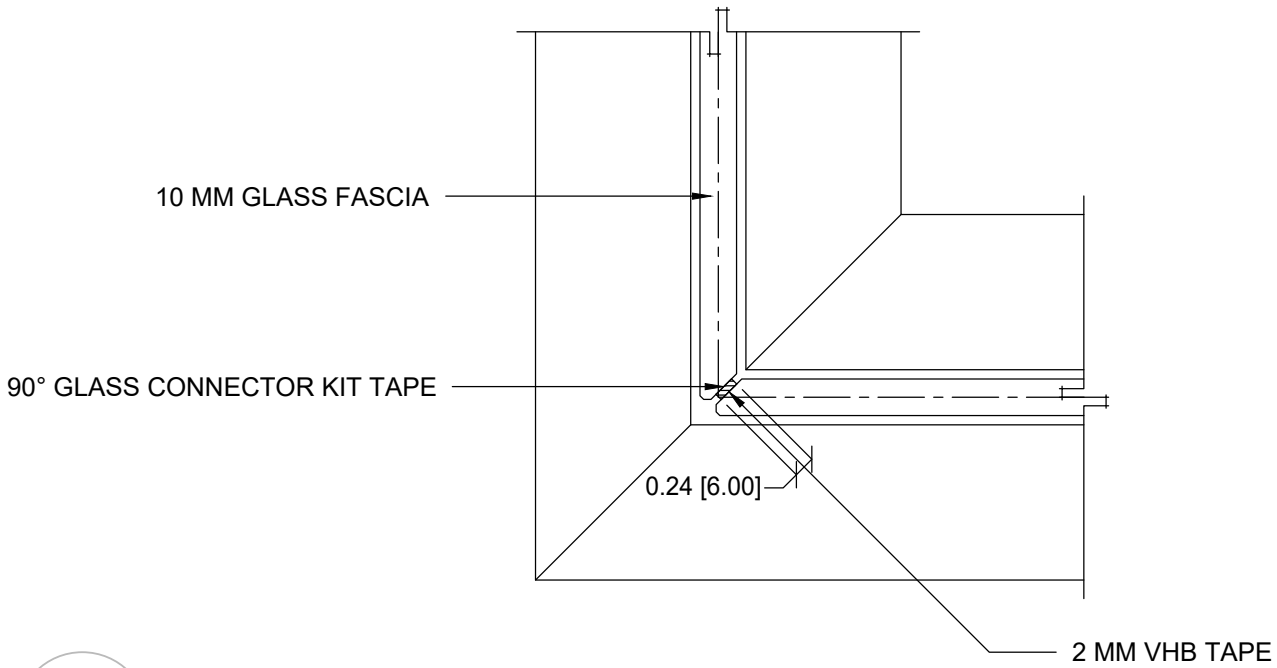
FOCUS - GLASS FASCIAS & CONNECTORS

MODIFIED	September 22, 2025	UNIT	INCH	SCALE	1:2
----------	--------------------	------	------	-------	-----

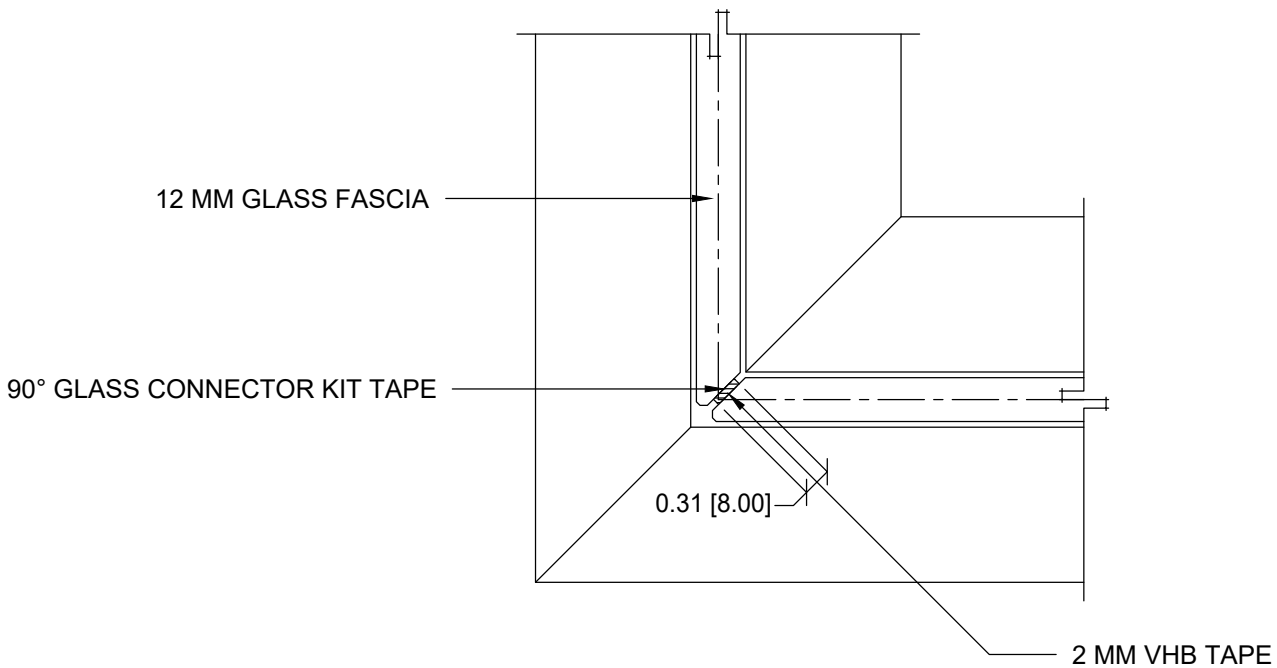
THIS DRAWING IS THE PROPERTY OF TEKNION LIMITED AND IS SUBJECT TO RETURN UPON DEMAND. IT MUST NOT BE SUBMITTED TO ANY OUTSIDE PARTIES FOR EXAMINATION WITHOUT TEKNION CONSENT. THIS DRAWING MUST NOT BE SCALED OR USED FOR CONSTRUCTION PURPOSES



Publish Date: Jan 14, 2026



3 90° GLASS CONNECTOR KIT
 E02 SINGLE CENTERED GLASS - TAPE - 10MM



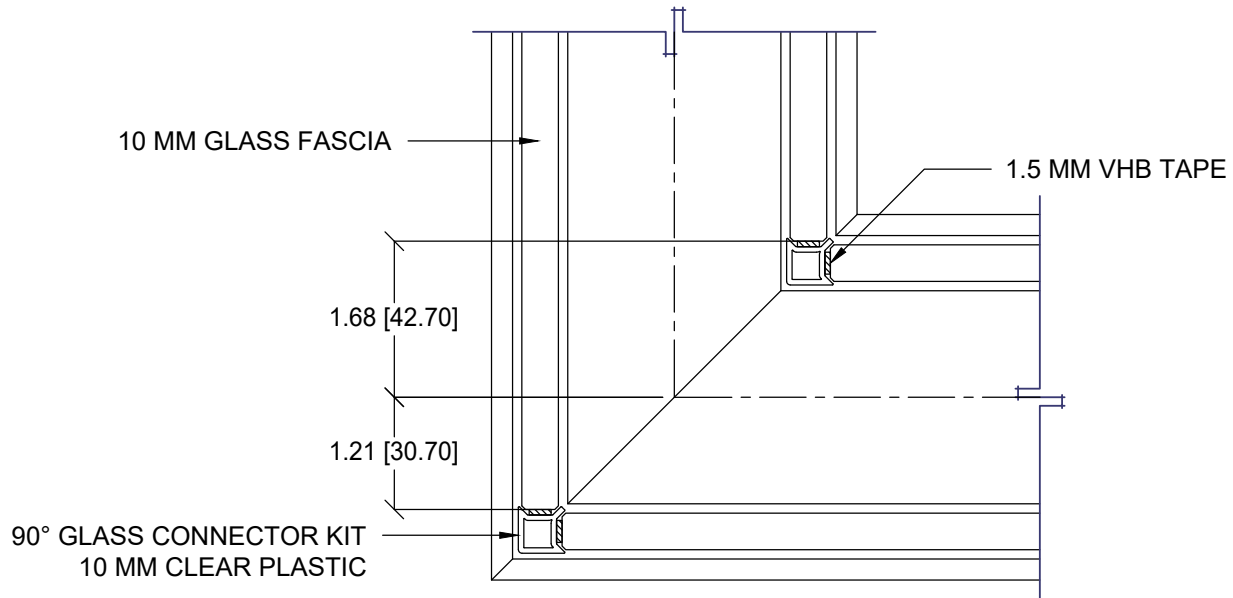
4 90° GLASS CONNECTOR KIT
 E02 SINGLE CENTERED GLASS - TAPE - 10MM

FOCUS - GLASS FASCIAS & CONNECTORS

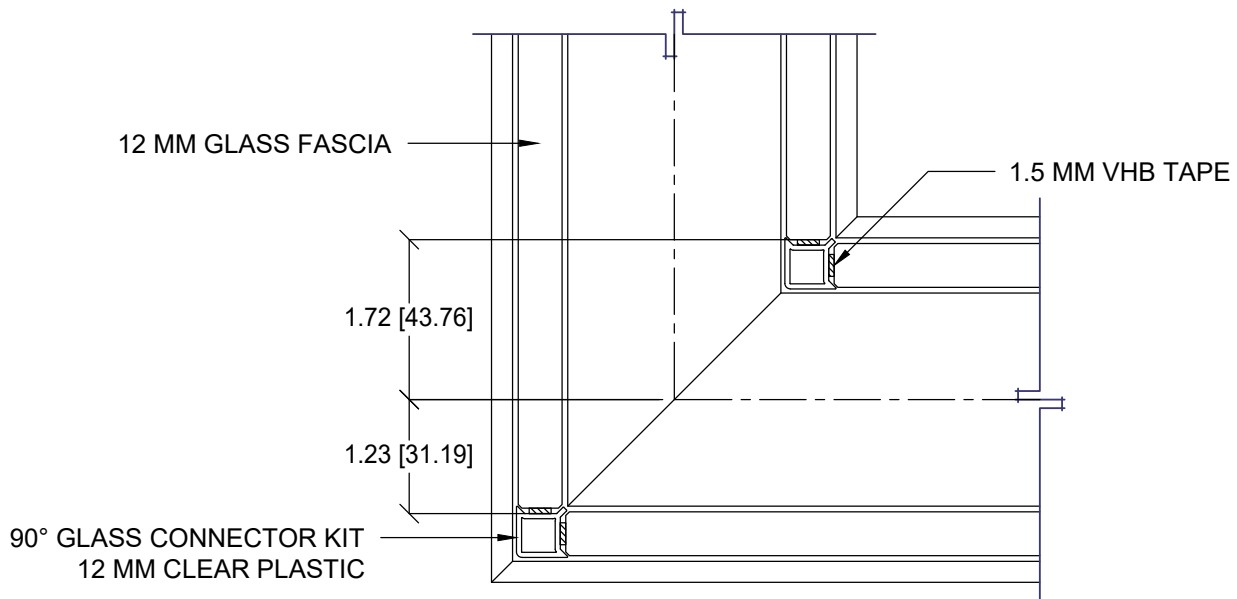
MODIFIED	September 22, 2025	UNIT	INCH	SCALE	1:2
----------	--------------------	------	------	-------	-----

THIS DRAWING IS THE PROPERTY OF TEKNION LIMITED AND IS SUBJECT TO RETURN UPON DEMAND. IT MUST NOT BE SUBMITTED TO ANY OUTSIDE PARTIES FOR EXAMINATION WITHOUT TEKNION CONSENT. THIS DRAWING MUST NOT BE SCALED OR USED FOR CONSTRUCTION PURPOSES





5 90° GLASS CONNECTOR KIT
E02 DOUBLE GLASS - PLASTIC - 10MM



6 90° GLASS CONNECTOR KIT
E02 DOUBLE GLASS - PLASTIC - 12MM

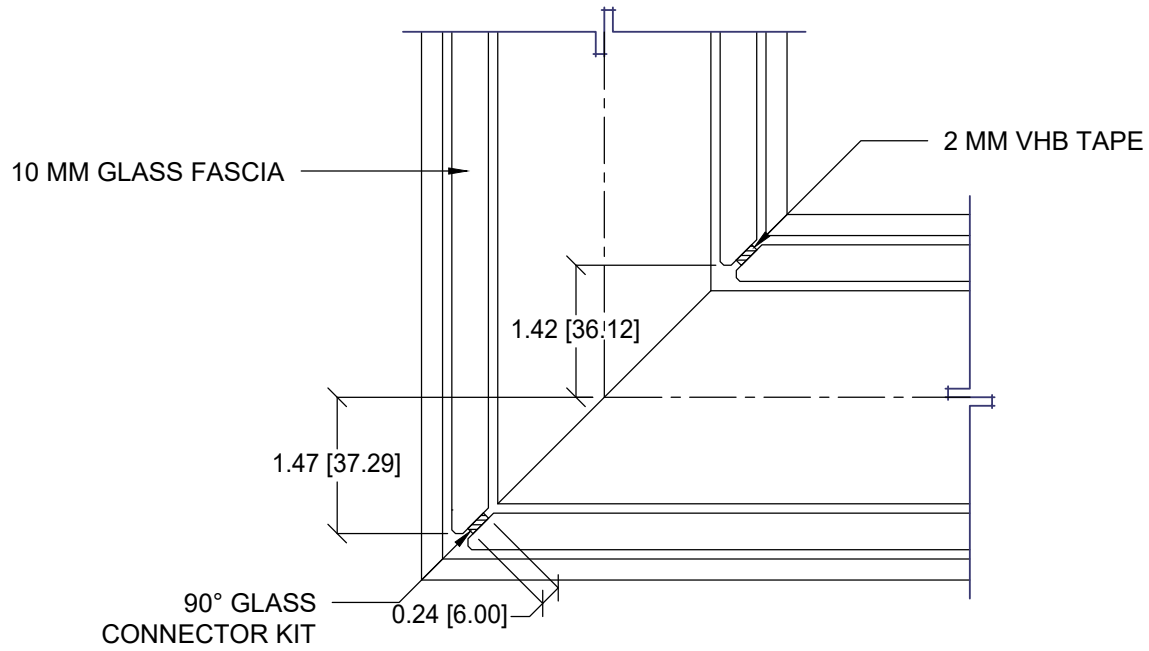
FOCUS - GLASS FASCIAS & CONNECTORS

MODIFIED	September 22, 2025	UNIT	INCH	SCALE	1:2
----------	--------------------	------	------	-------	-----

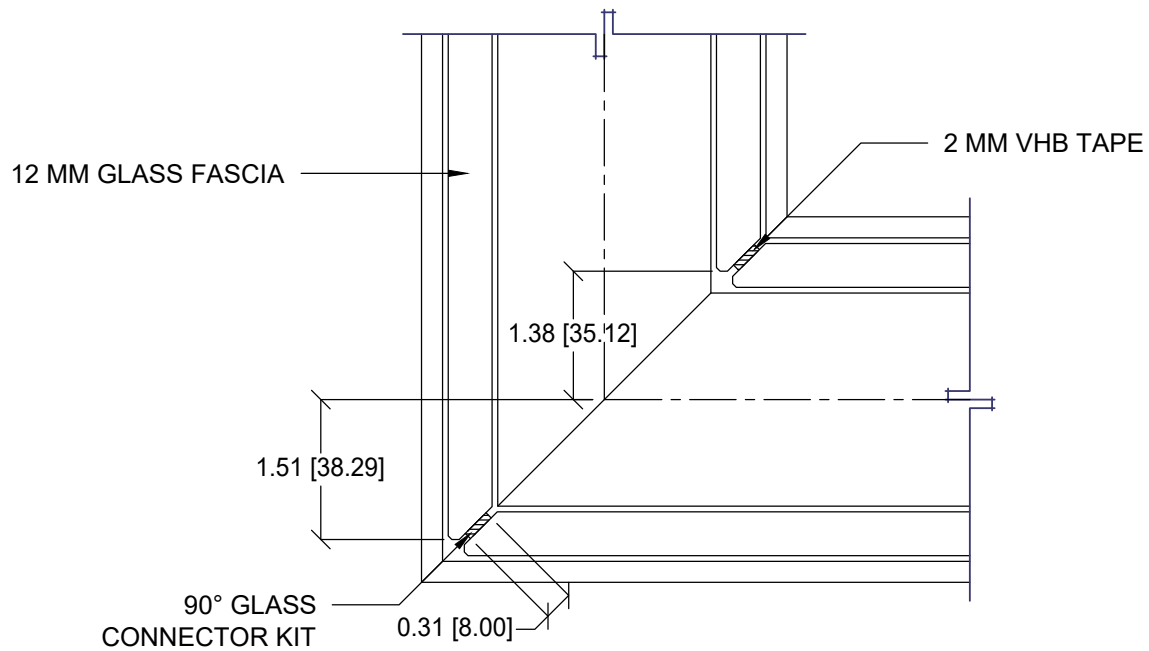
THIS DRAWING IS THE PROPERTY OF TEKNION LIMITED AND IS SUBJECT TO RETURN UPON DEMAND. IT MUST NOT BE SUBMITTED TO ANY OUTSIDE PARTIES FOR EXAMINATION WITHOUT TEKNION CONSENT. THIS DRAWING MUST NOT BE SCALED OR USED FOR CONSTRUCTION PURPOSES

teknion

Publish Date: Jan 14, 2026



7 90° GLASS CONNECTOR KIT
E02 DOUBLE GLASS - TAPE - 10MM



8 90° GLASS CONNECTOR KIT
E02 DOUBLE GLASS - TAPE - 12MM

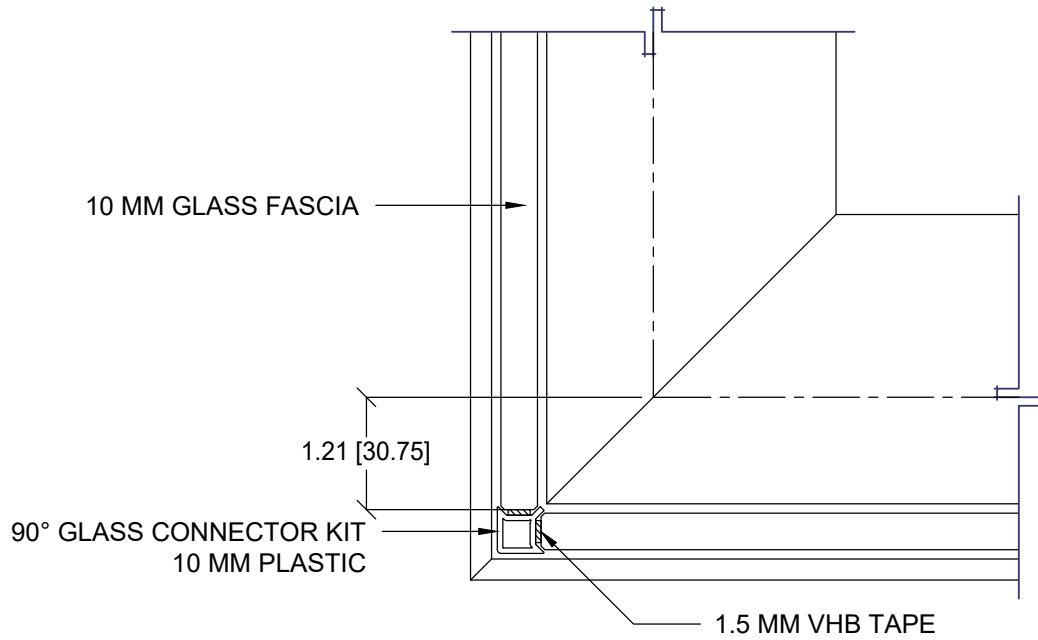
FOCUS - GLASS FASCIA & CONNECTORS

MODIFIED	September 22, 2025	UNIT	INCH	SCALE	1:2
----------	--------------------	------	------	-------	-----

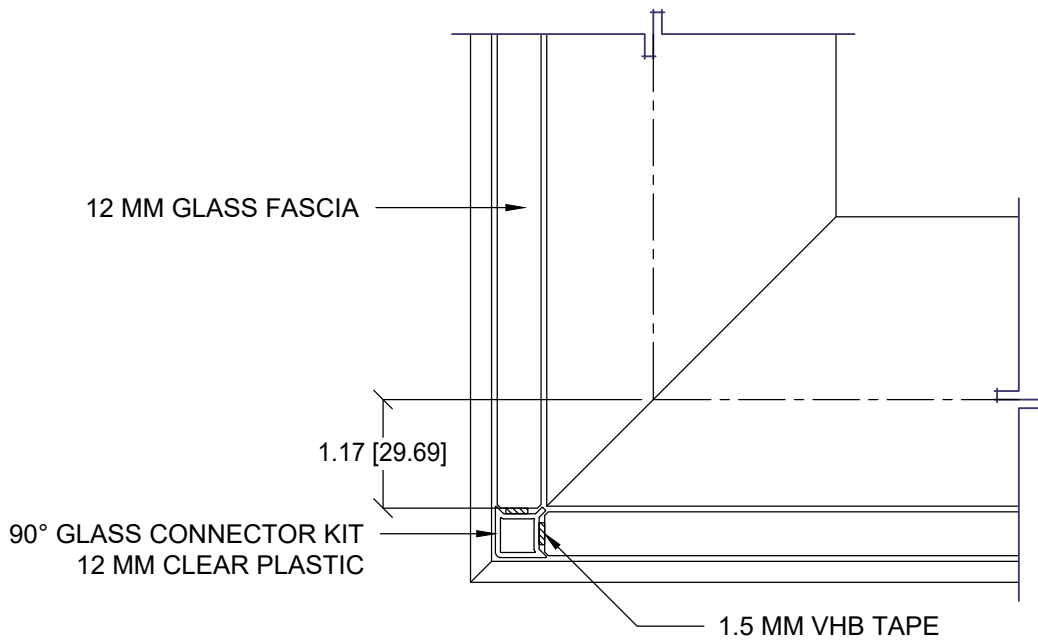
THIS DRAWING IS THE PROPERTY OF TEKNION LIMITED AND IS SUBJECT TO RETURN UPON DEMAND. IT MUST NOT BE SUBMITTED TO ANY OUTSIDE PARTIES FOR EXAMINATION WITHOUT TEKNION CONSENT. THIS DRAWING MUST NOT BE SCALED OR USED FOR CONSTRUCTION PURPOSES

teknion

Publish Date: Jan 14, 2026



8 90° GLASS CONNECTOR KIT
E02 OFFSET GLASS - PLASTIC - 10MM



10 90° GLASS CONNECTOR KIT
E02 OFFSET GLASS - PLASTIC - 12MM

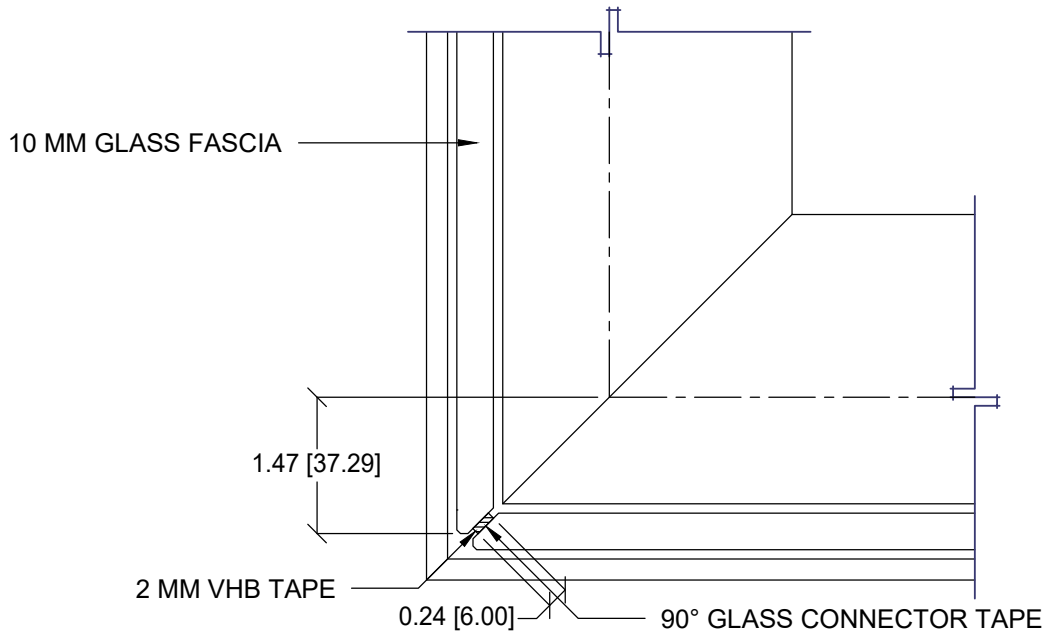
FOCUS - GLASS FASCIAS & CONNECTORS

MODIFIED	September 22, 2025	UNIT	INCH	SCALE	1:2
----------	--------------------	------	------	-------	-----

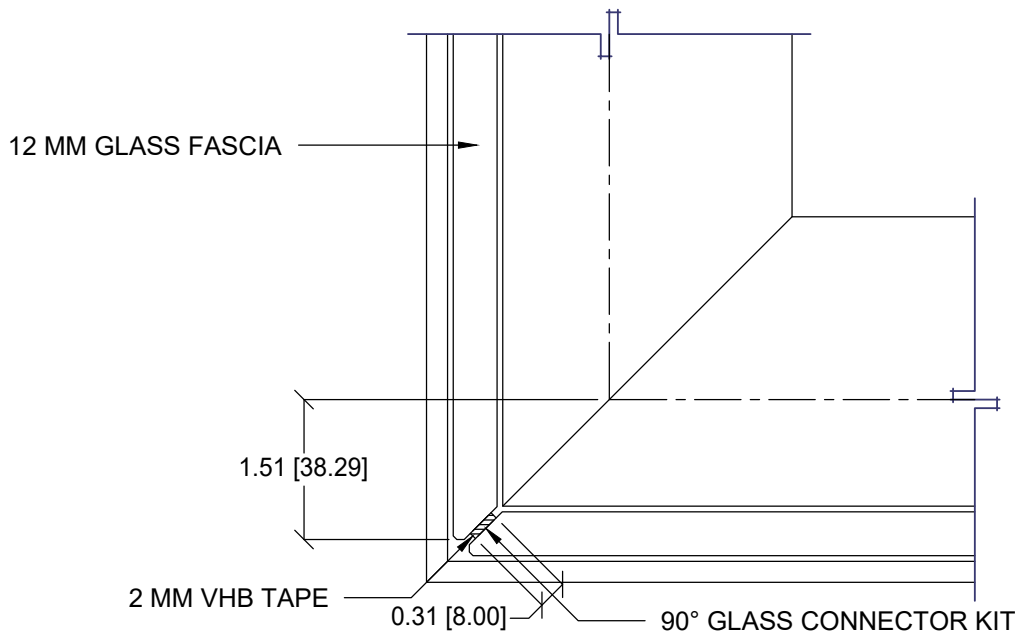
THIS DRAWING IS THE PROPERTY OF TEKNION LIMITED AND IS SUBJECT TO RETURN UPON DEMAND. IT MUST NOT BE SUBMITTED TO ANY OUTSIDE PARTIES FOR EXAMINATION WITHOUT TEKNION CONSENT. THIS DRAWING MUST NOT BE SCALED OR USED FOR CONSTRUCTION PURPOSES

teknion

Publish Date: Jan 14, 2026



9 90° GLASS CONNECTOR KIT
 E02 OFFSET GLASS - TAPE - 10MM



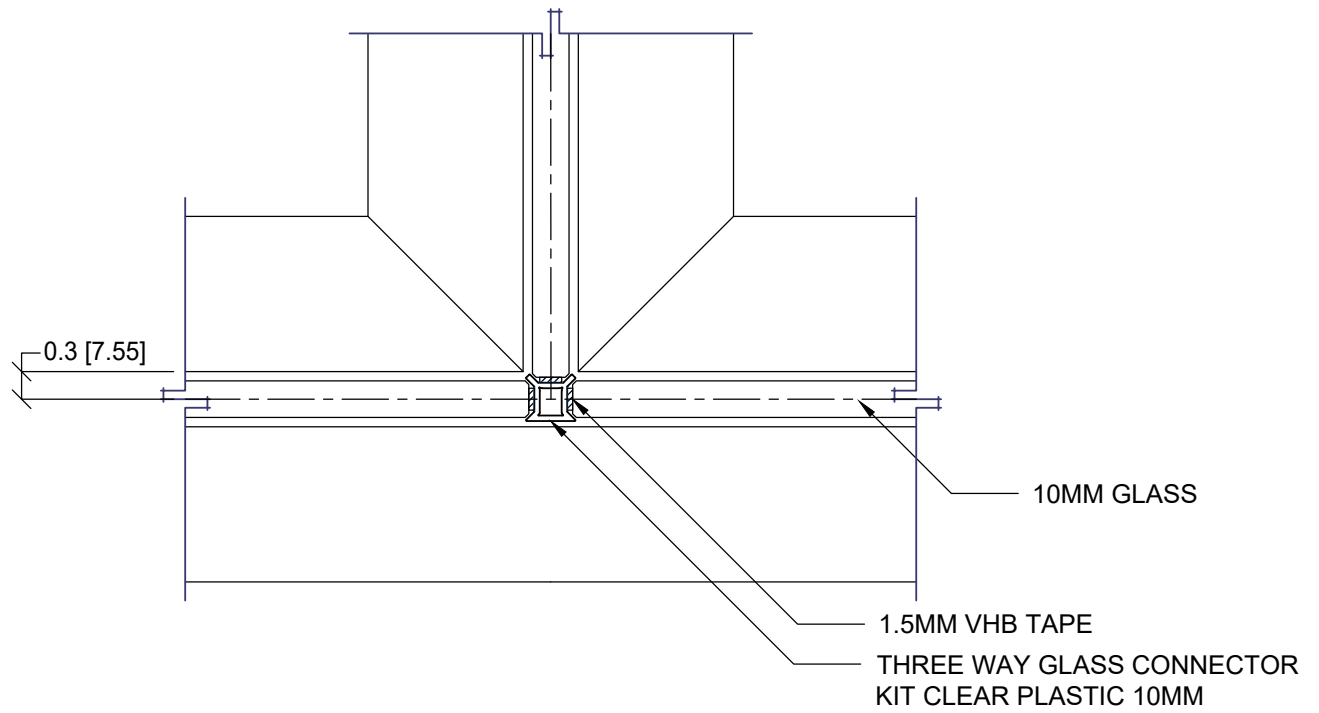
12 90° GLASS CONNECTOR KIT
 E02 OFFSET GLASS - TAPE - 12MM

FOCUS - GLASS FASCIA & CONNECTORS

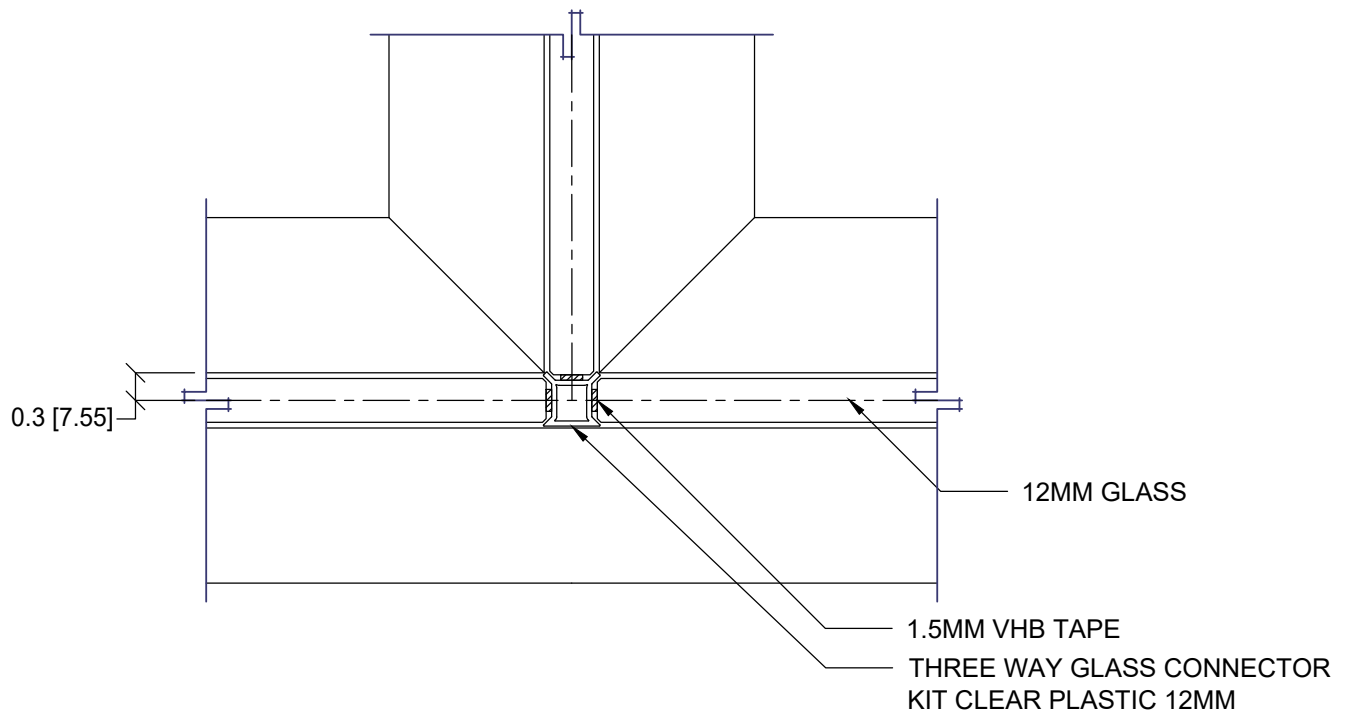
MODIFIED	September 22, 2025	UNIT	INCH	SCALE	1:2
----------	--------------------	------	------	-------	-----

THIS DRAWING IS THE PROPERTY OF TEKNION LIMITED AND IS SUBJECT TO RETURN UPON DEMAND. IT MUST NOT BE SUBMITTED TO ANY OUTSIDE PARTIES FOR EXAMINATION WITHOUT TEKNION CONSENT. THIS DRAWING MUST NOT BE SCALED OR USED FOR CONSTRUCTION PURPOSES





1 THREE WAY CONNECTION KIT
 E03 SINGLE CENTERED GLASS - PLASTIC - 10MM



2 THREE WAY CONNECTION KIT
 E03 SINGLE CENTERED GLASS - PLASTIC - 12MM

FOCUS - GLASS FASCIAS & CONNECTORS

MODIFIED	September 22, 2025	UNIT	INCH	SCALE	1:2
----------	--------------------	------	------	-------	-----

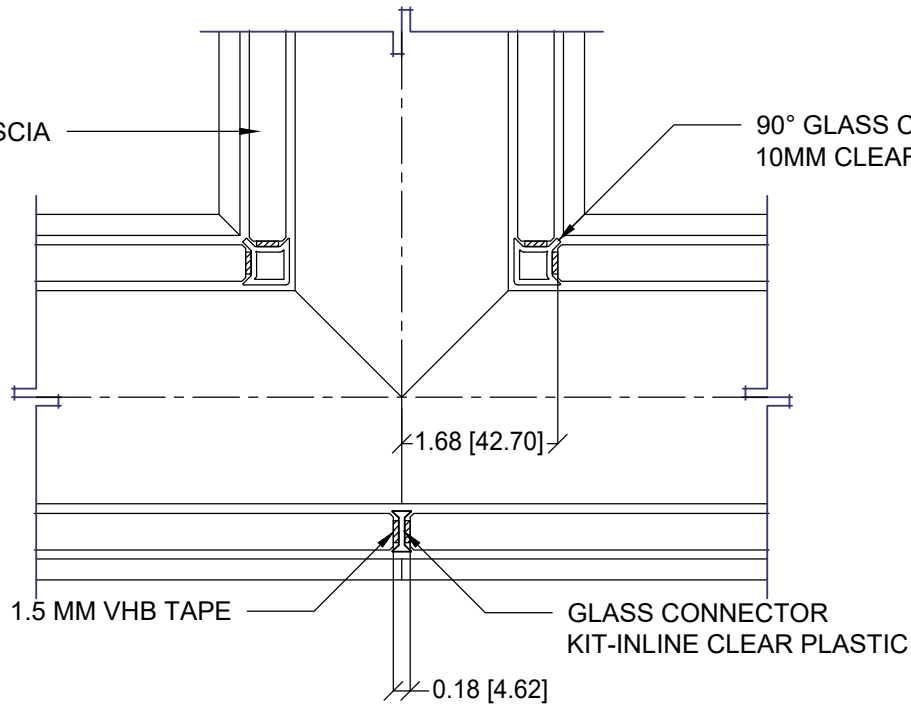
THIS DRAWING IS THE PROPERTY OF TEKNION LIMITED AND IS SUBJECT TO RETURN UPON DEMAND. IT MUST NOT BE SUBMITTED TO ANY OUTSIDE PARTIES FOR EXAMINATION WITHOUT TEKNION CONSENT. THIS DRAWING MUST NOT BE SCALED OR USED FOR CONSTRUCTION PURPOSES



Publish Date: Jan 14, 2026

10 MM GLASS FASCIA

90° GLASS CONNECTOR KIT
10MM CLEAR PLASTIC



3

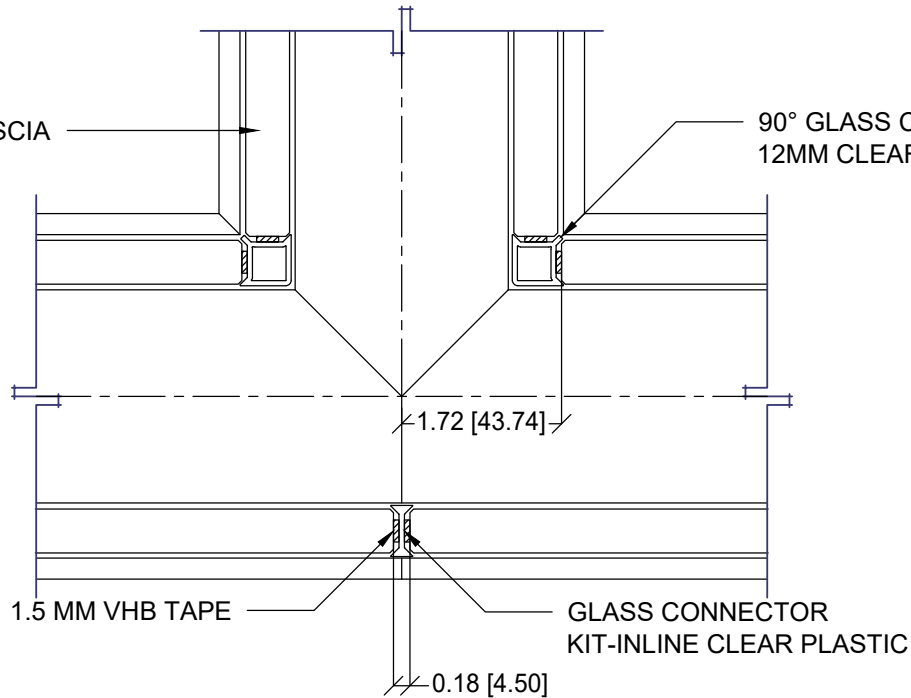
THREE WAY CONNECTION KIT

E03

DOUBLE GLASS - PLASTIC - 10MM

12 MM GLASS FASCIA

90° GLASS CONNECTOR KIT
12MM CLEAR PLASTIC



4

THREE WAY CONNECTION KIT

E03

DOUBLE GLASS - PLASTIC - 12MM

FOCUS - GLASS FASCIAS & CONNECTORS

MODIFIED

September 22, 2025

UNIT

INCH

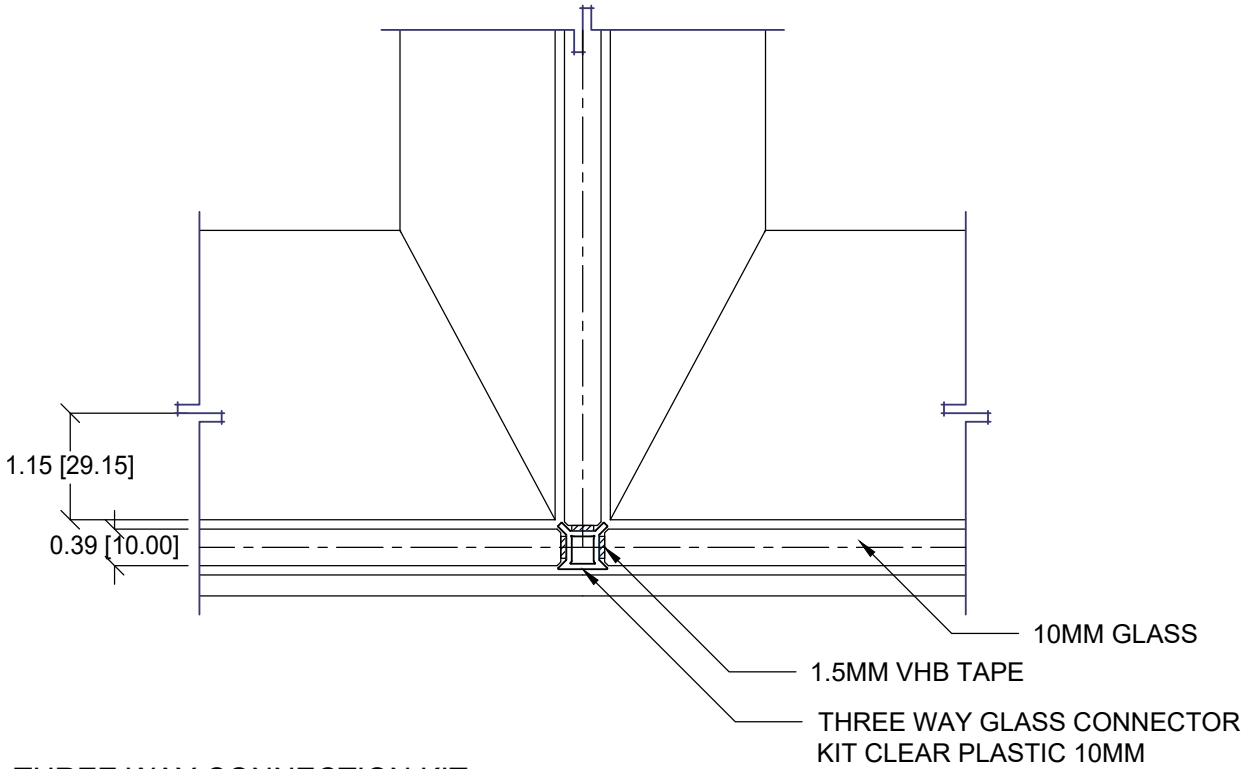
SCALE

1:2

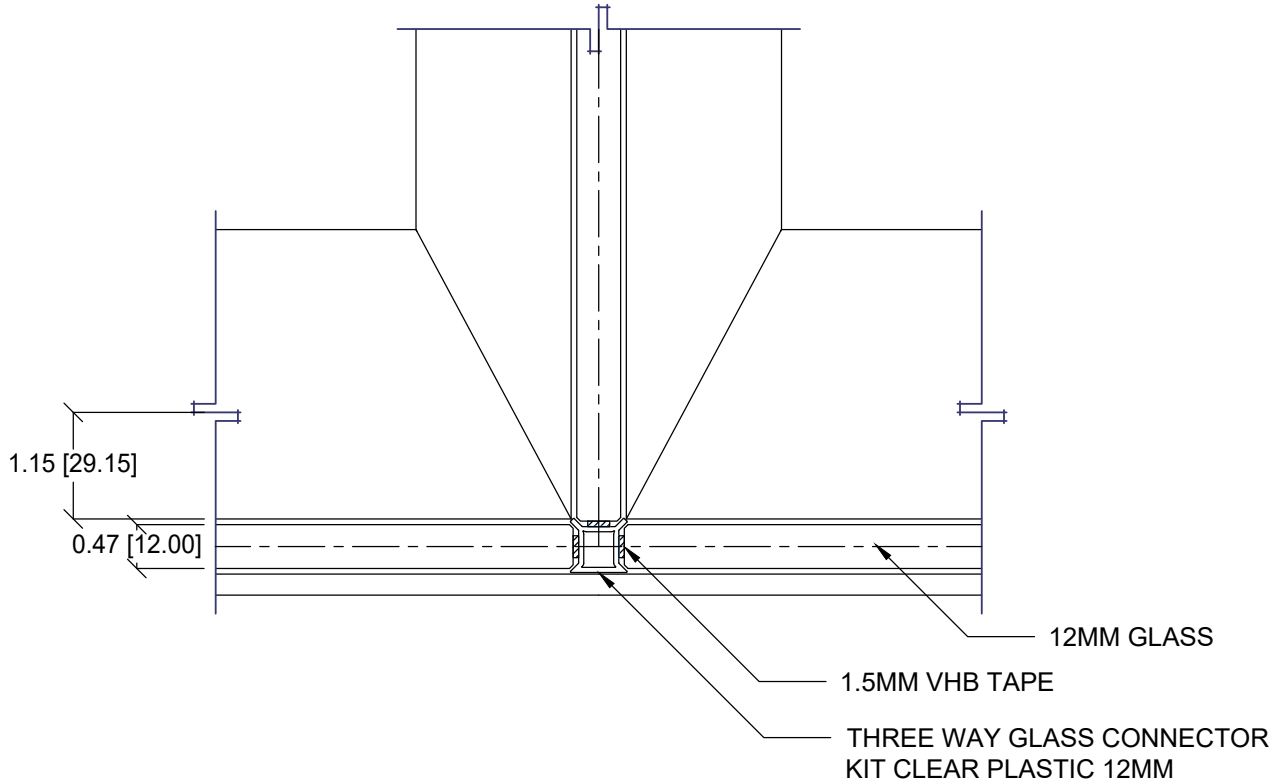
THIS DRAWING IS THE PROPERTY OF TEKNION LIMITED AND IS SUBJECT TO RETURN UPON DEMAND. IT MUST NOT BE SUBMITTED TO ANY OUTSIDE PARTIES FOR EXAMINATION WITHOUT TEKNION CONSENT. THIS DRAWING MUST NOT BE SCALED OR USED FOR CONSTRUCTION PURPOSES

teknion

Publish Date: Jan 14, 2026



5 THREE WAY CONNECTION KIT
E03 OFFSET GLASS - PLASTIC - 10MM



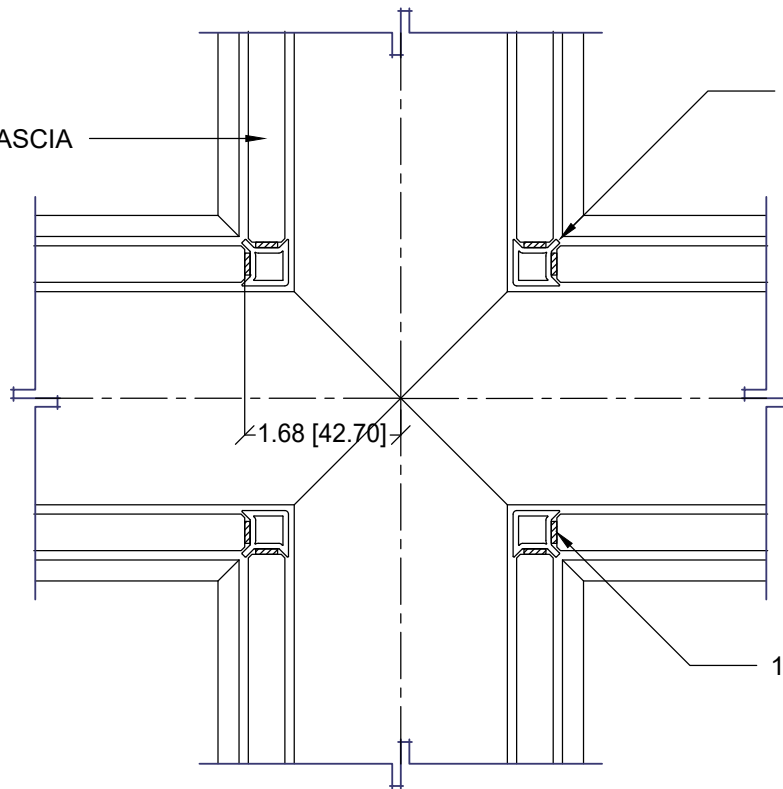
6 THREE WAY CONNECTION KIT
E03 OFFSET GLASS - PLASTIC - 12MM

FOCUS - GLASS FASCIAS & CONNECTORS

MODIFIED	September 22, 2025	UNIT	INCH	SCALE	1:2
----------	--------------------	------	------	-------	-----

THIS DRAWING IS THE PROPERTY OF TEKNION LIMITED AND IS SUBJECT TO RETURN UPON DEMAND. IT MUST NOT BE SUBMITTED TO ANY OUTSIDE PARTIES FOR EXAMINATION WITHOUT TEKNION CONSENT. THIS DRAWING MUST NOT BE SCALED OR USED FOR CONSTRUCTION PURPOSES

10 MM GLASS FASCIA



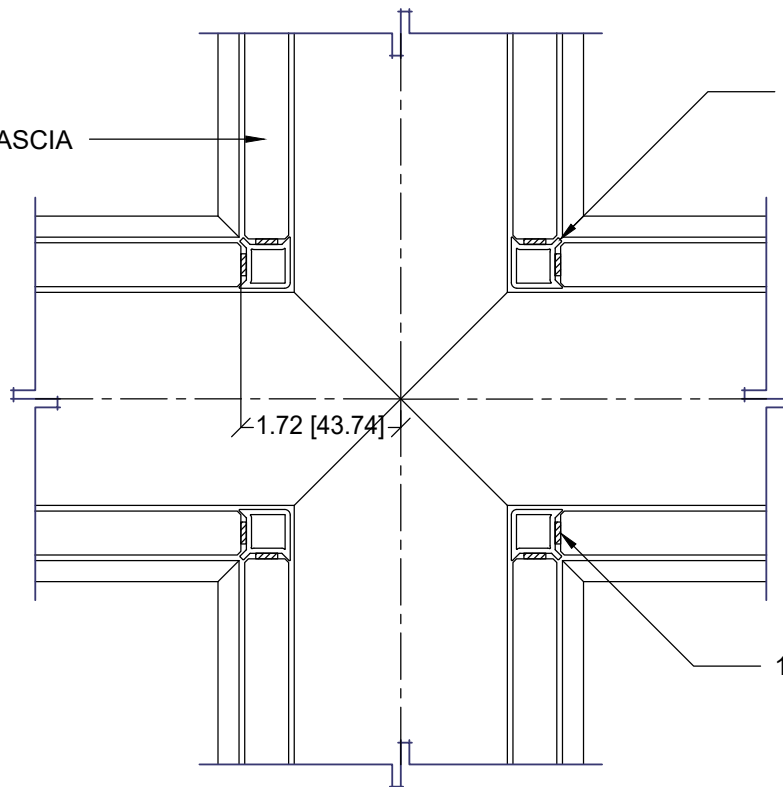
90° GLASS
CONNECTOR KIT
10 MM CLEAR PLASTIC

1.5 MM VHB TAPE

1.68 [42.70]

1 FOUR WAY CONNECTION KIT
E04 PLASTIC - 10MM

12 MM GLASS FASCIA



90° GLASS
CONNECTOR KIT
12 MM CLEAR PLASTIC

1.5 MM VHB TAPE

1.72 [43.74]

2 FOUR WAY CONNECTION KIT
E04 PLASTIC - 12MM

FOCUS - GLASS FASCIAS & CONNECTORS

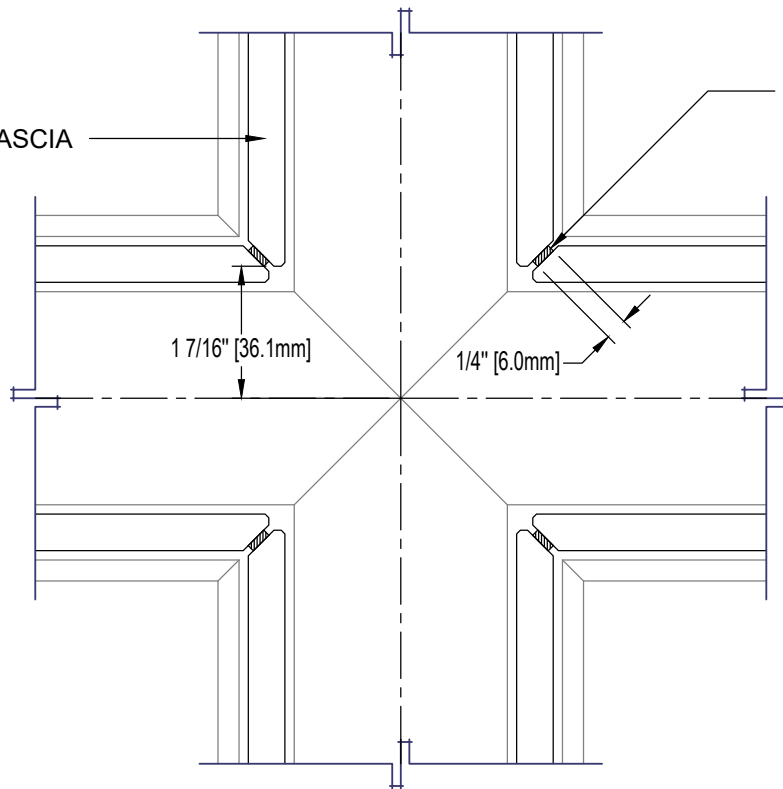
MODIFIED	September 22, 2025	UNIT	INCH	SCALE	1:2
----------	--------------------	------	------	-------	-----

THIS DRAWING IS THE PROPERTY OF TEKNION LIMITED AND IS SUBJECT TO RETURN UPON DEMAND. IT MUST NOT BE SUBMITTED TO ANY OUTSIDE PARTIES FOR EXAMINATION WITHOUT TEKNION CONSENT. THIS DRAWING MUST NOT BE SCALED OR USED FOR CONSTRUCTION PURPOSES

teknion

Publish Date: Jan 14, 2026

10 MM GLASS FASCIA



90° GLASS
CONNECTOR KIT
2MM VHB TAPE

1 7/16" [36.1mm]

1/4" [6.0mm]

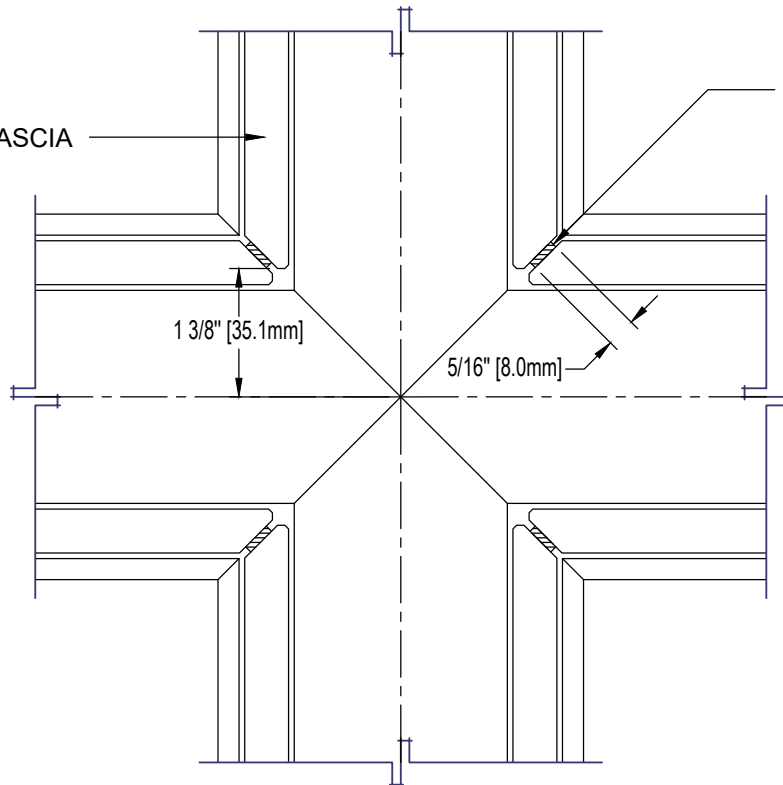
3

FOUR WAY CONNECTION KIT

E04

TAPE - 10MM

12 MM GLASS FASCIA



90° GLASS
CONNECTOR KIT
2MM VHB TAPE

1 3/8" [35.1mm]

5/16" [8.0mm]

4

FOUR WAY CONNECTION KIT

E04

TAPE - 12MM

FOCUS - GLASS FASCIAS & CONNECTORS

MODIFIED

September 22, 2025

UNIT

INCH

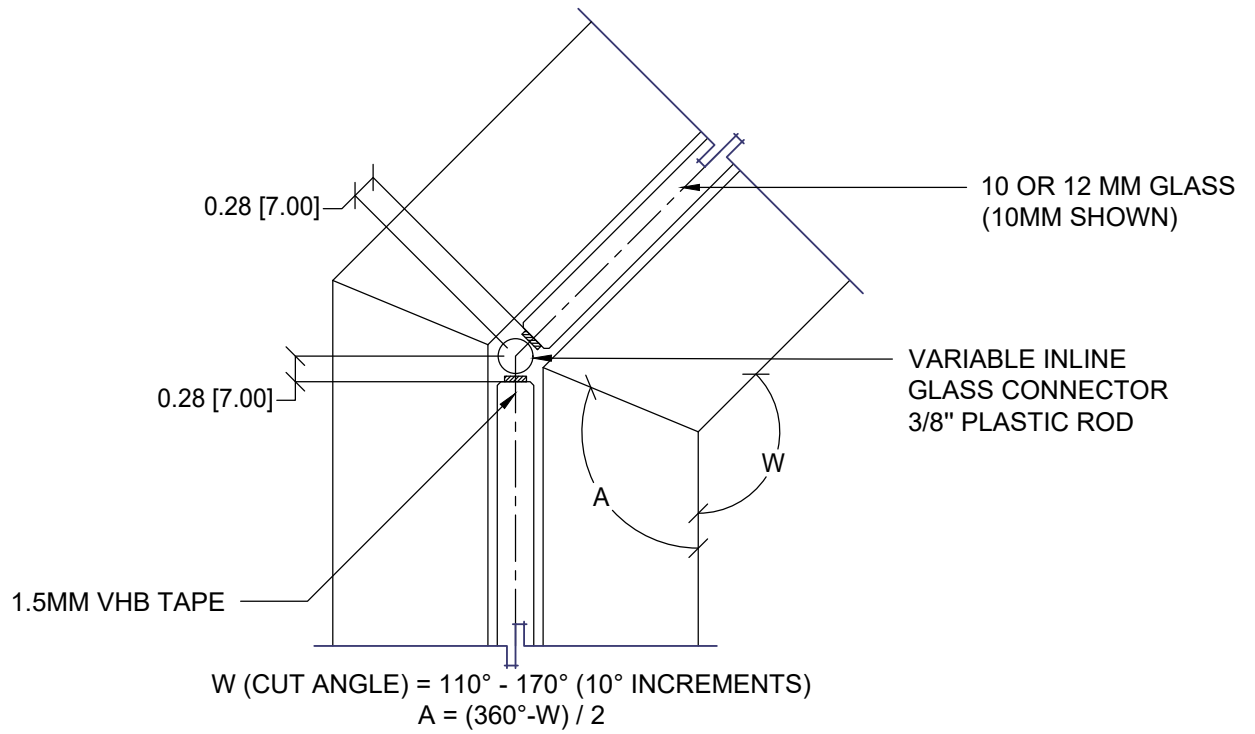
SCALE

1:2

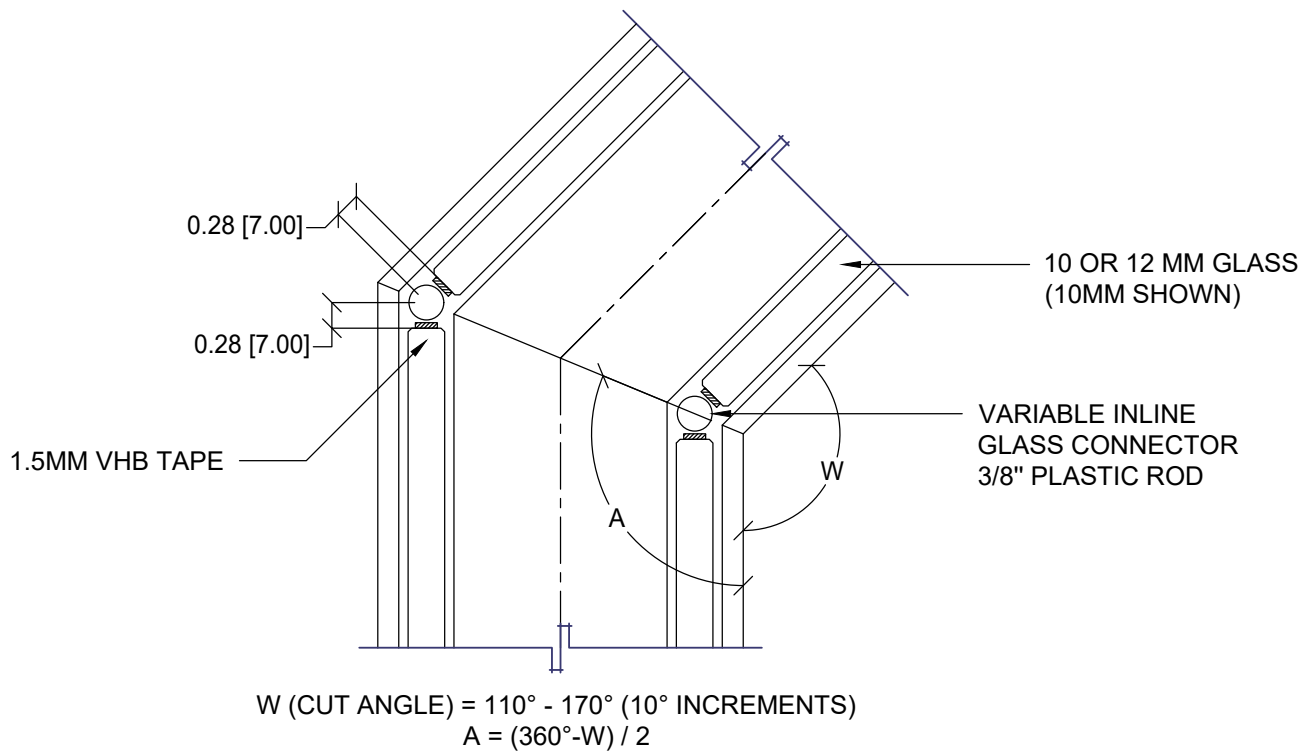
THIS DRAWING IS THE PROPERTY OF TEKNION LIMITED AND IS SUBJECT TO RETURN UPON DEMAND. IT MUST NOT BE SUBMITTED TO ANY OUTSIDE PARTIES FOR EXAMINATION WITHOUT TEKNION CONSENT. THIS DRAWING MUST NOT BE SCALED OR USED FOR CONSTRUCTION PURPOSES

teknion

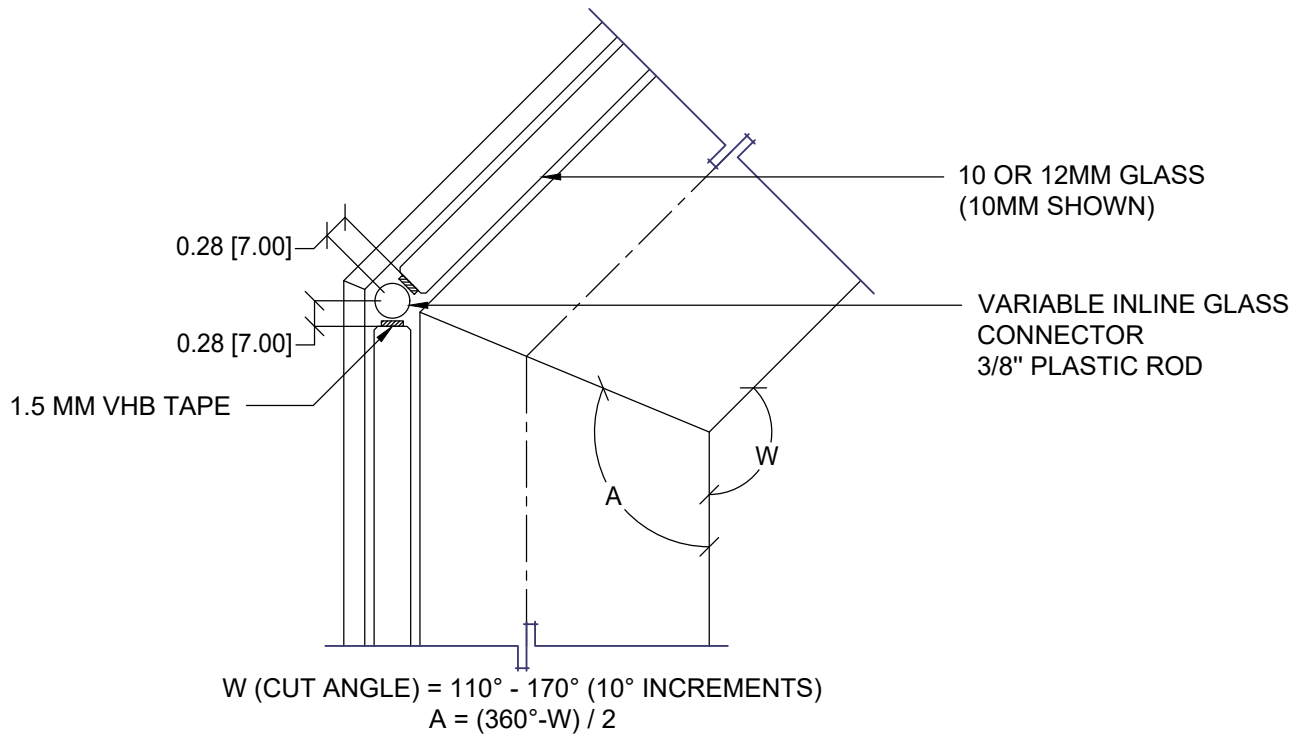
Publish Date: Jan 14, 2026



1 INLINE VARIABLE CONNECTION KIT
E05 SINGLE CENTERED GLASS

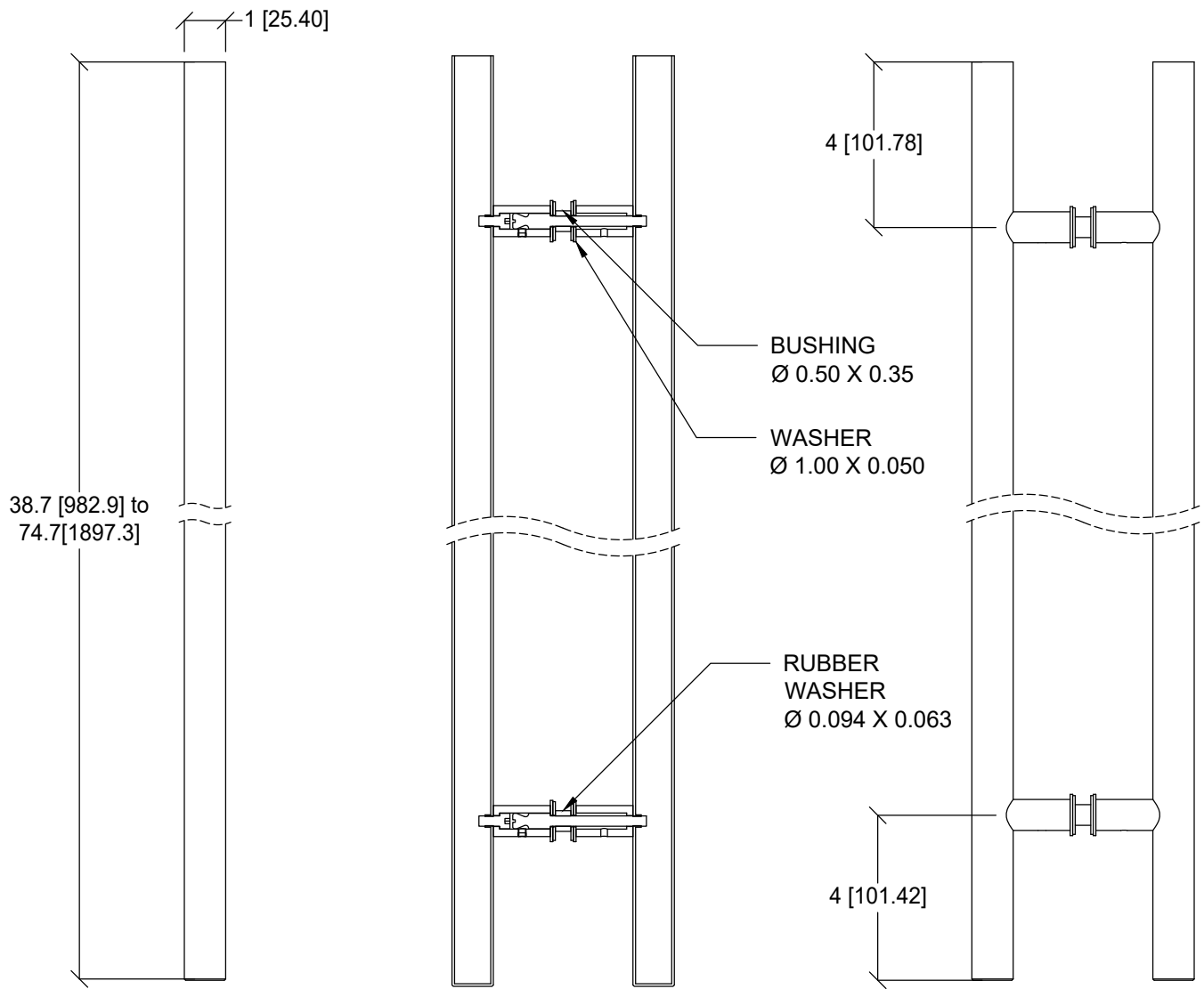


2 INLINE VARIABLE CONNECTION KIT
E05 DOUBLE GLASS



3
E05

INLINE VARIABLE CONNECTION KIT
OFFSET GLASS



1
F01

DOOR HANDLE CEILING PULL
NON-LOCKING

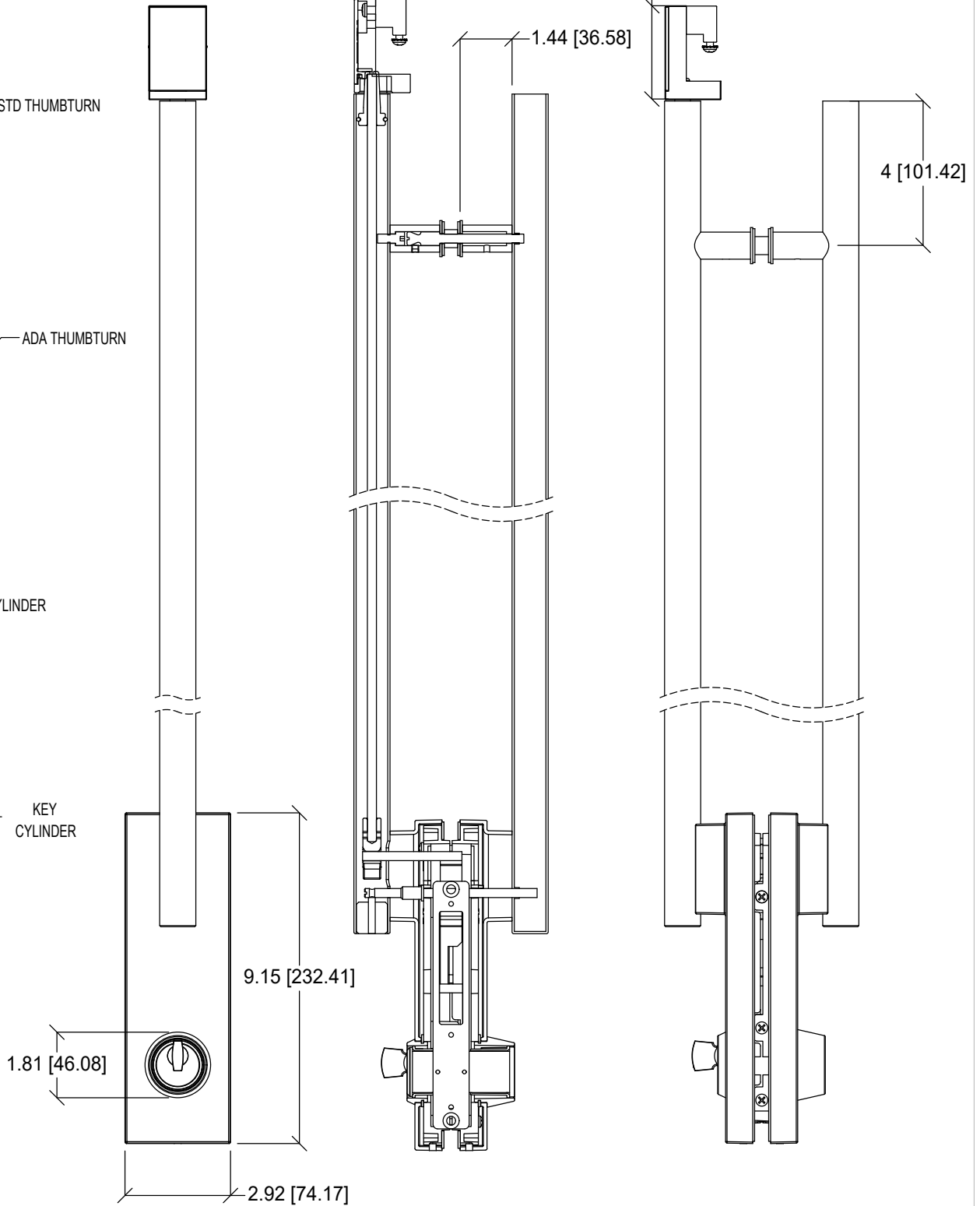
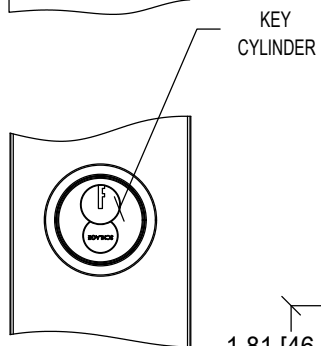
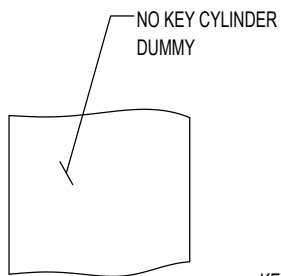
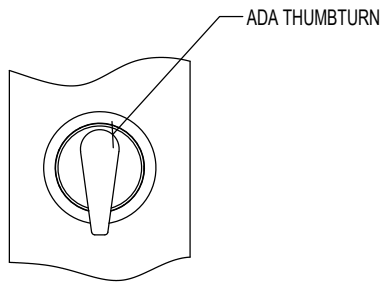
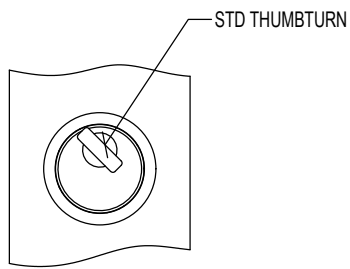
FOCUS - HARDWARE DETAILS

MODIFIED	September 22, 2025	UNIT	INCH	SCALE	1:4
----------	--------------------	------	------	-------	-----

THIS DRAWING IS THE PROPERTY OF TEKNION LIMITED AND IS SUBJECT TO RETURN UPON DEMAND. IT MUST NOT BE SUBMITTED TO ANY OUTSIDE PARTIES FOR EXAMINATION WITHOUT TEKNION CONSENT. THIS DRAWING MUST NOT BE SCALED OR USED FOR CONSTRUCTION PURPOSES

teknion

Publish Date: Jan 14, 2026



2 DOOR HANDLE CEILING PULL
F01 LOCKING

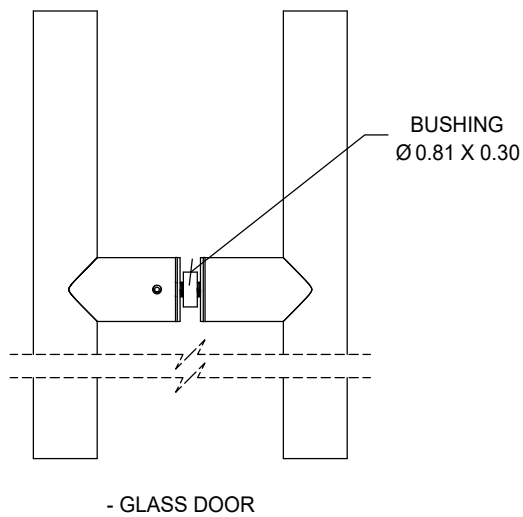
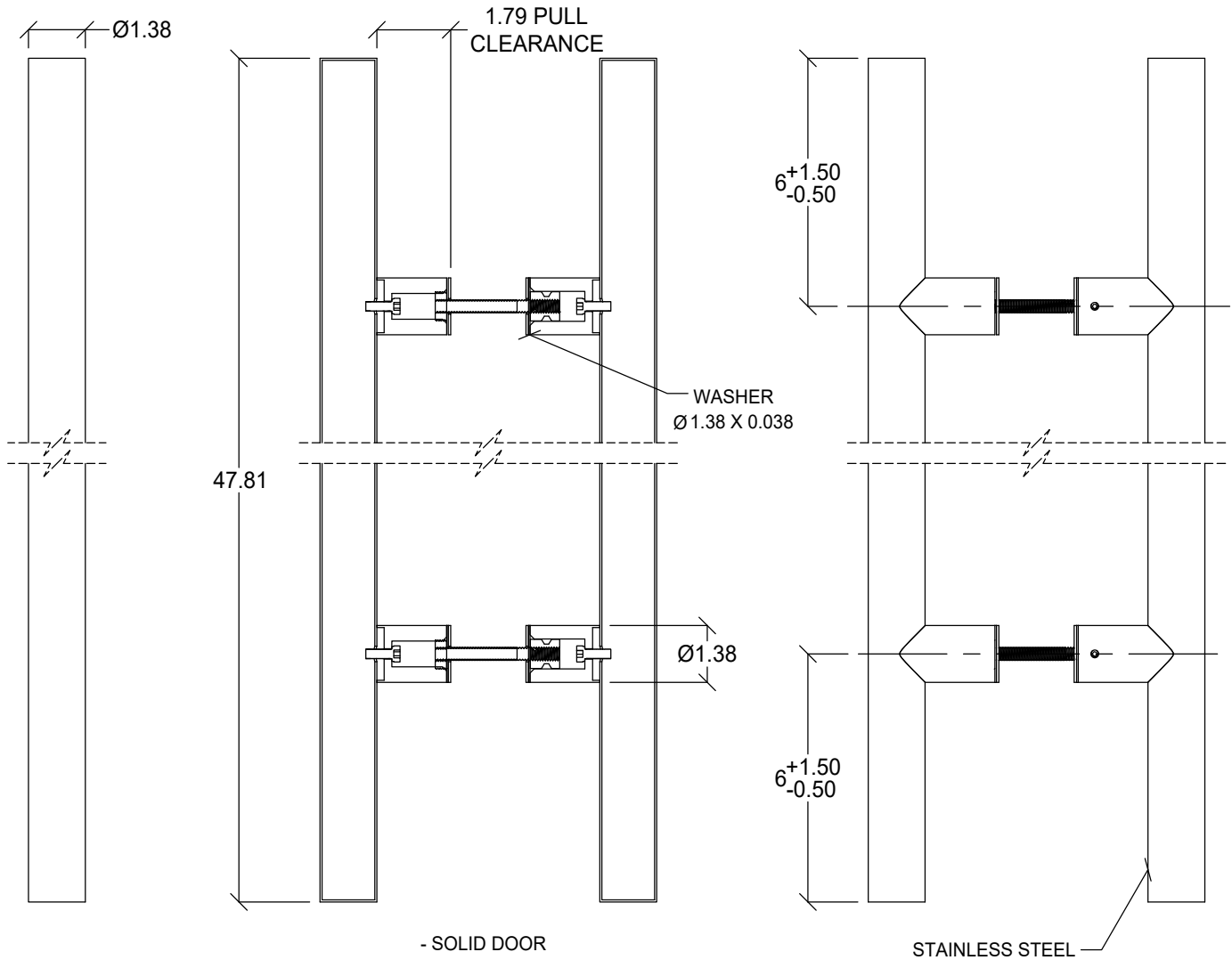
FOCUS - HARDWARE DETAILS

MODIFIED	September 22, 2025	UNIT	INCH	SCALE	1:4
----------	--------------------	------	------	-------	-----

THIS DRAWING IS THE PROPERTY OF TEKNION LIMITED AND IS SUBJECT TO RETURN UPON DEMAND. IT MUST NOT BE SUBMITTED TO ANY OUTSIDE PARTIES FOR EXAMINATION WITHOUT TEKNION CONSENT. THIS DRAWING MUST NOT BE SCALED OR USED FOR CONSTRUCTION PURPOSES

teknion

Publish Date: Jan 14, 2026



1 DOOR HANDLE FLOOR PULL
 F02 NON-LOCKING

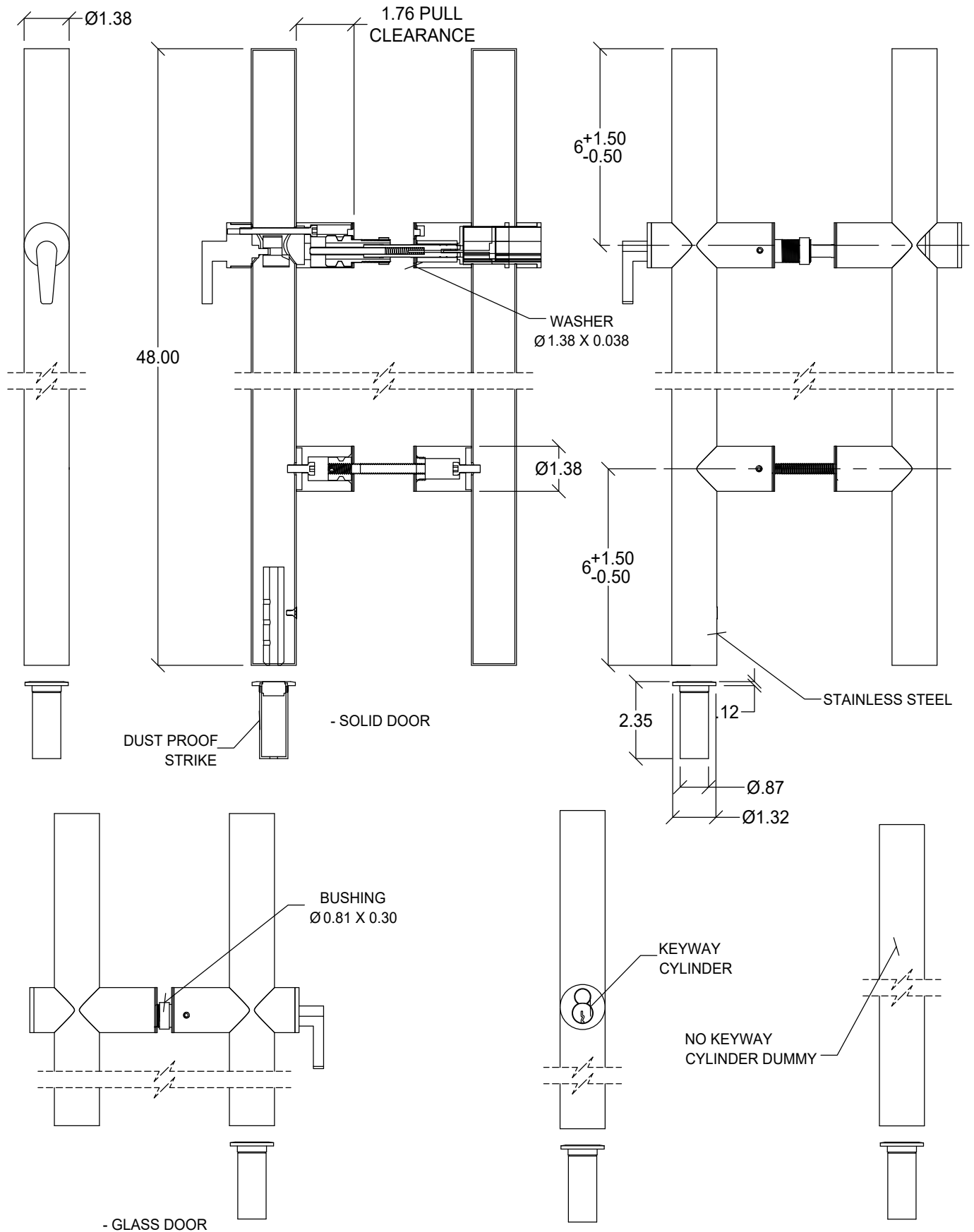
FOCUS - HARDWARE DETAILS

MODIFIED	September 22, 2025	UNIT	INCH	SCALE	1:4
----------	--------------------	------	------	-------	-----

THIS DRAWING IS THE PROPERTY OF TEKNION LIMITED AND IS SUBJECT TO RETURN UPON DEMAND. IT MUST NOT BE SUBMITTED TO ANY OUTSIDE PARTIES FOR EXAMINATION WITHOUT TEKNION CONSENT. THIS DRAWING MUST NOT BE SCALED OR USED FOR CONSTRUCTION PURPOSES

teknion

Publish Date: Jan 14, 2026



1
F02

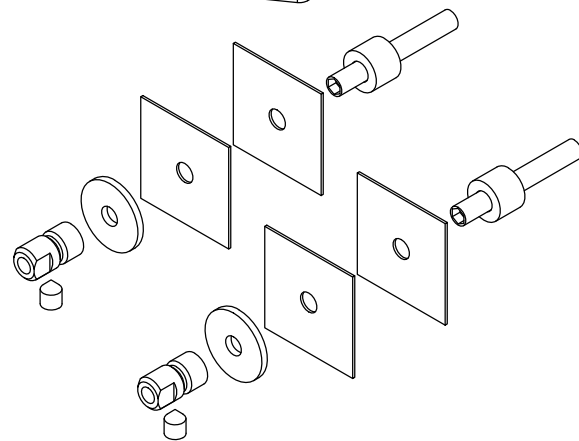
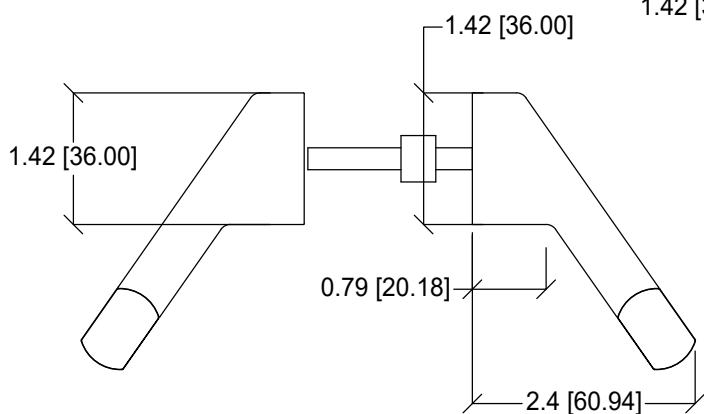
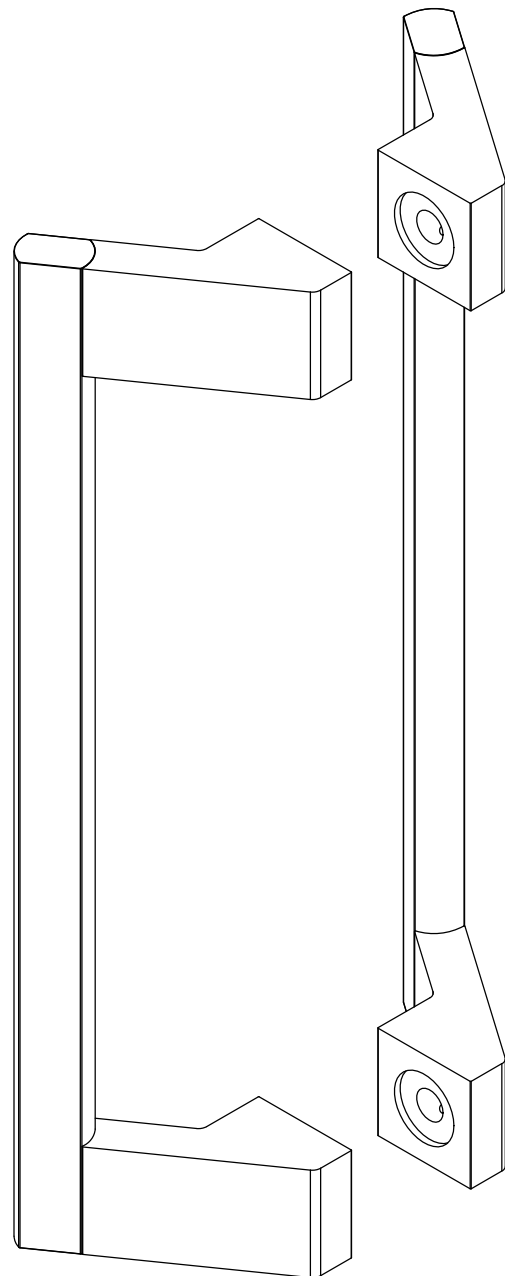
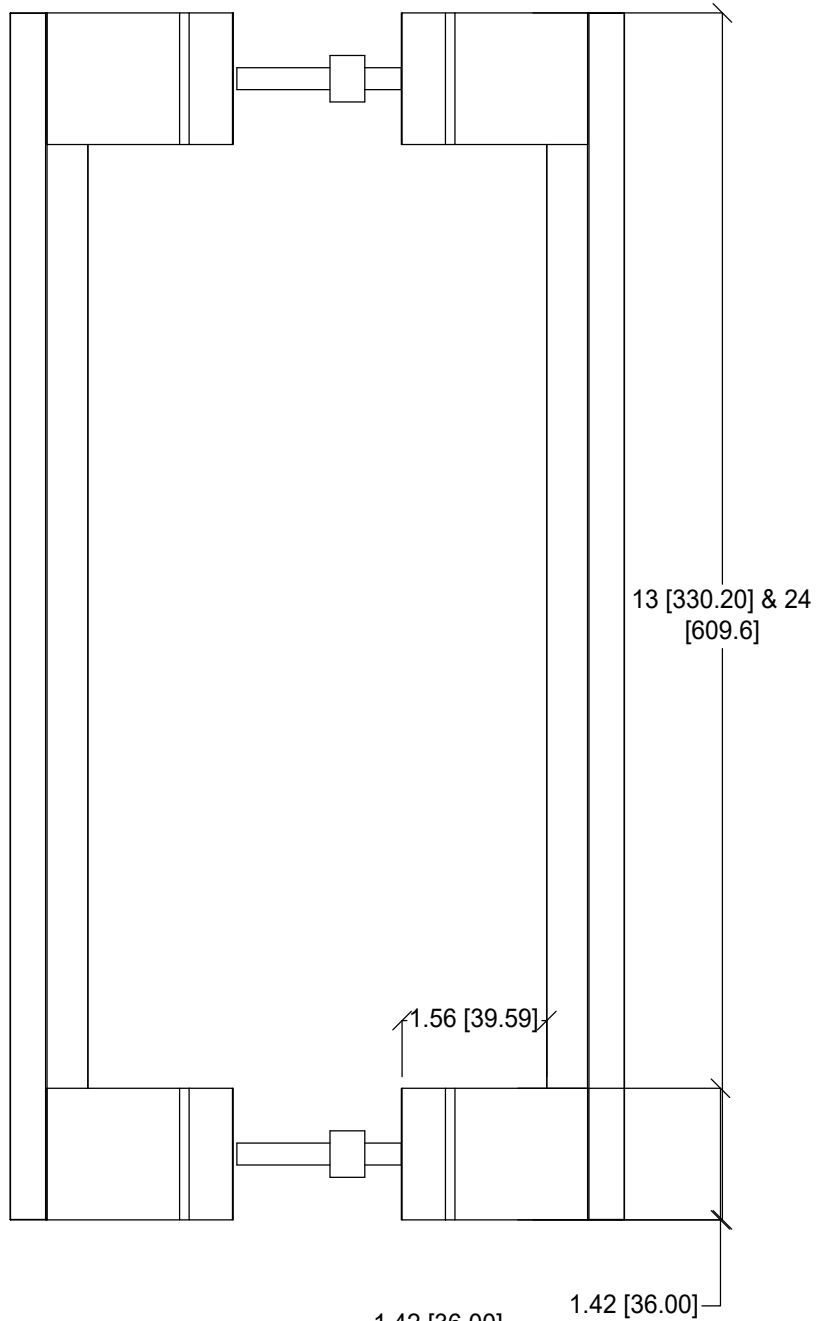
DOOR HANDLE FLOOR PULL
NON-LOCKING

FOCUS - HARDWARE DETAILS

MODIFIED	September 22, 2025	UNIT	INCH	SCALE	1:4
----------	--------------------	------	------	-------	-----

THIS DRAWING IS THE PROPERTY OF TEKNION LIMITED AND IS SUBJECT TO RETURN UPON DEMAND. IT MUST NOT BE SUBMITTED TO ANY OUTSIDE PARTIES FOR EXAMINATION WITHOUT TEKNION CONSENT. THIS DRAWING MUST NOT BE SCALED OR USED FOR CONSTRUCTION PURPOSES





1 DOOR HANDLE LINEAR PULL
 F03 ANGULAR

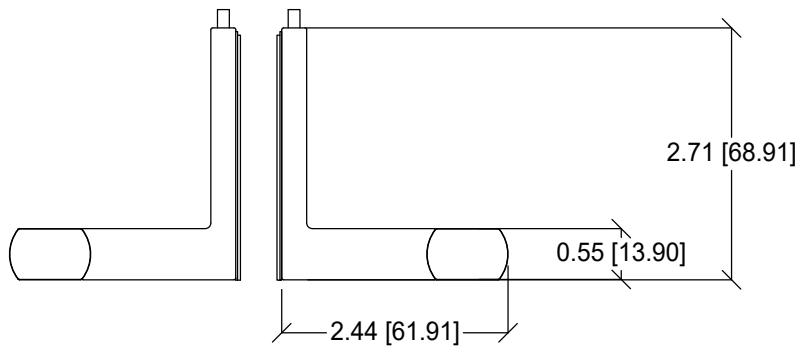
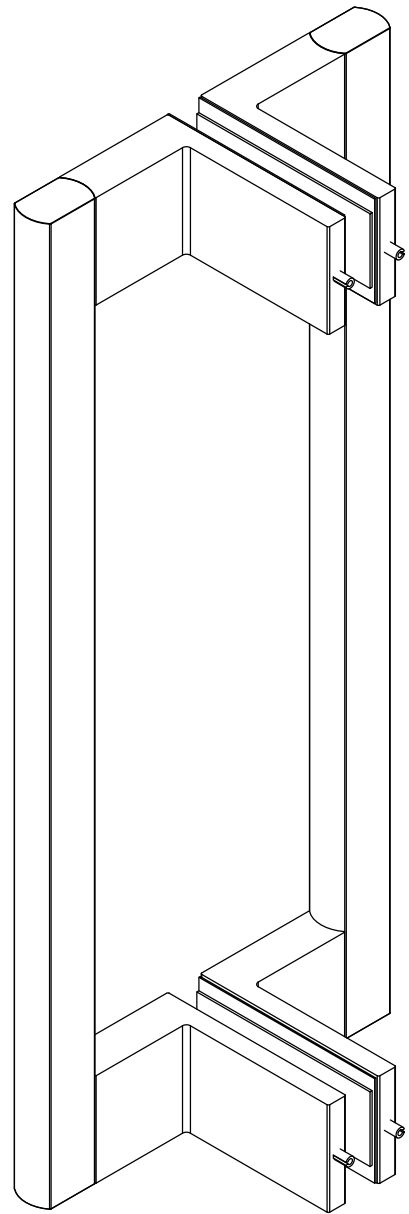
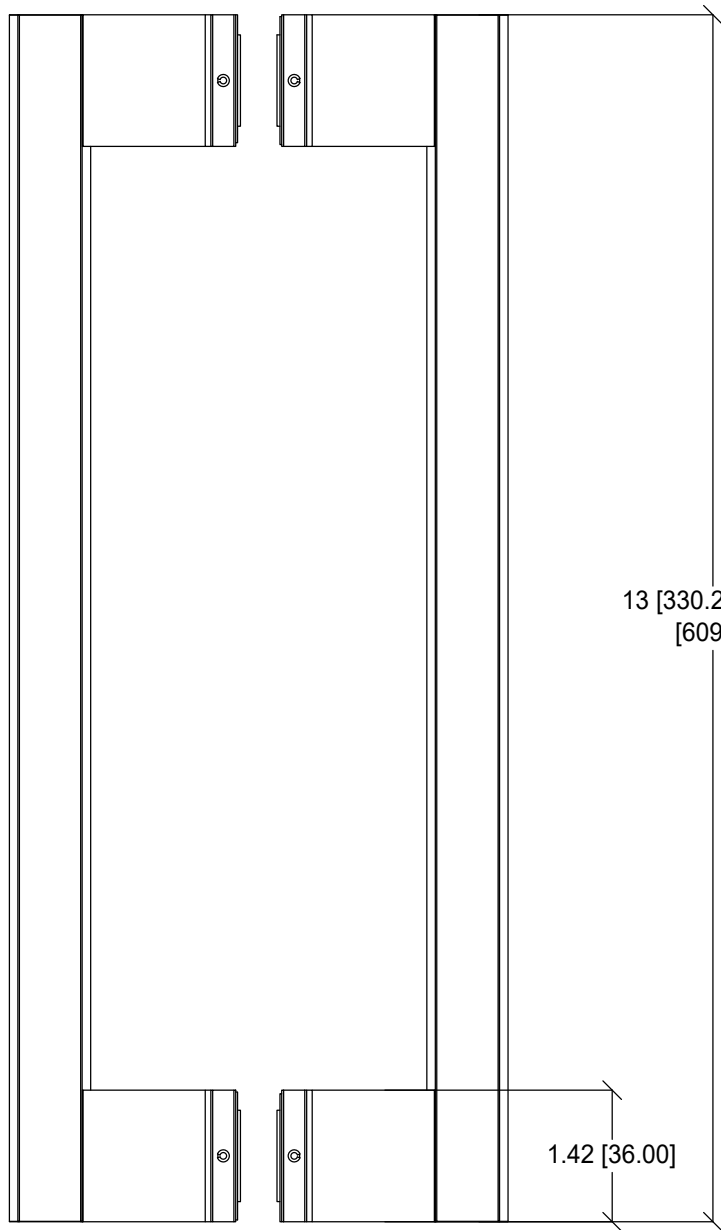
FOCUS - HARDWARE DETAILS

MODIFIED	September 22, 2025	UNIT	INCH	SCALE	1:2
----------	--------------------	------	------	-------	-----

THIS DRAWING IS THE PROPERTY OF TEKNION LIMITED AND IS SUBJECT TO RETURN UPON DEMAND. IT MUST NOT BE SUBMITTED TO ANY OUTSIDE PARTIES FOR EXAMINATION WITHOUT TEKNION CONSENT. THIS DRAWING MUST NOT BE SCALED OR USED FOR CONSTRUCTION PURPOSES



Publish Date: Jan 14, 2026



2
F03

DOOR HANDLE LINEAR PULL
PERPENDICULAR

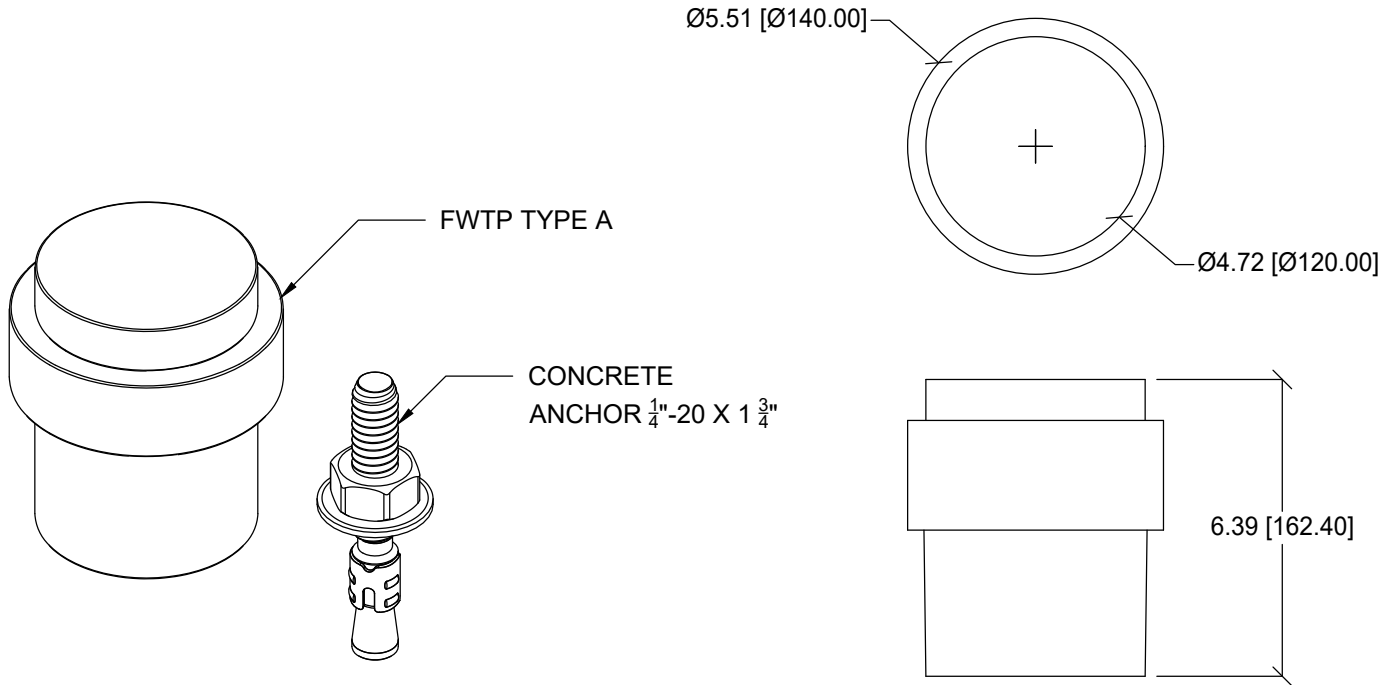
FOCUS - HARDWARE DETAILS

MODIFIED	September 22, 2025	UNIT	INCH	SCALE	1:2
----------	--------------------	------	------	-------	-----

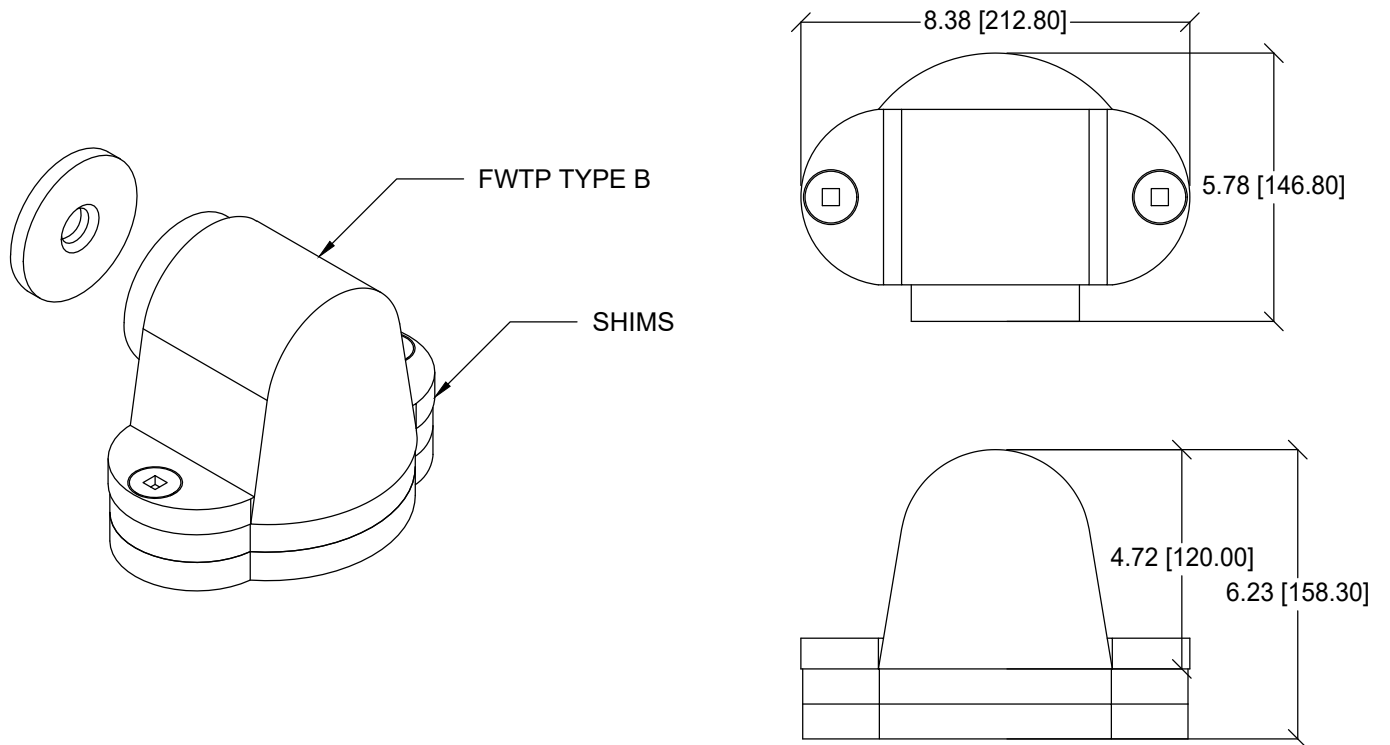
THIS DRAWING IS THE PROPERTY OF TEKNION LIMITED AND IS SUBJECT TO RETURN UPON DEMAND. IT MUST NOT BE SUBMITTED TO ANY OUTSIDE PARTIES FOR EXAMINATION WITHOUT TEKNION CONSENT. THIS DRAWING MUST NOT BE SCALED OR USED FOR CONSTRUCTION PURPOSES

teknion

Publish Date: Jan 14, 2026



1 OTHER HARDWARE
F04 SWING DOORSTOP



2 OTHER HARDWARE
F04 MAGNETIC DOORSTOP

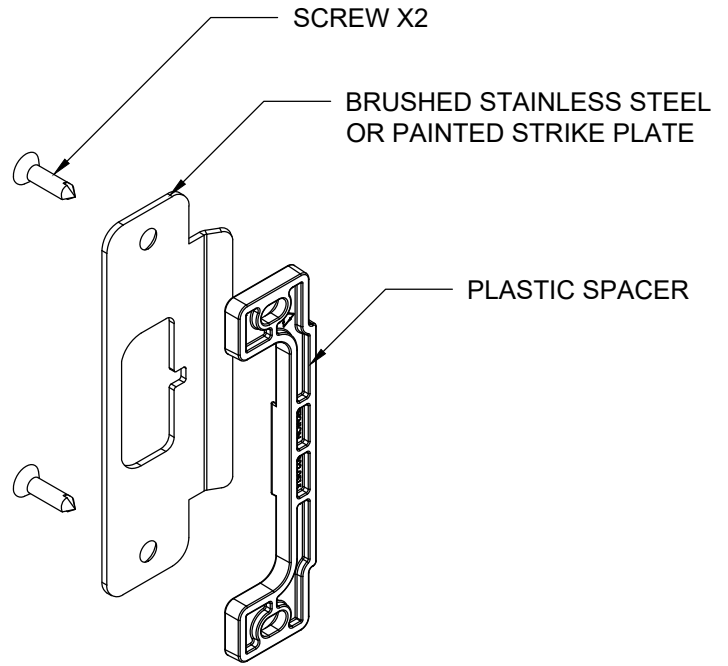
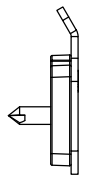
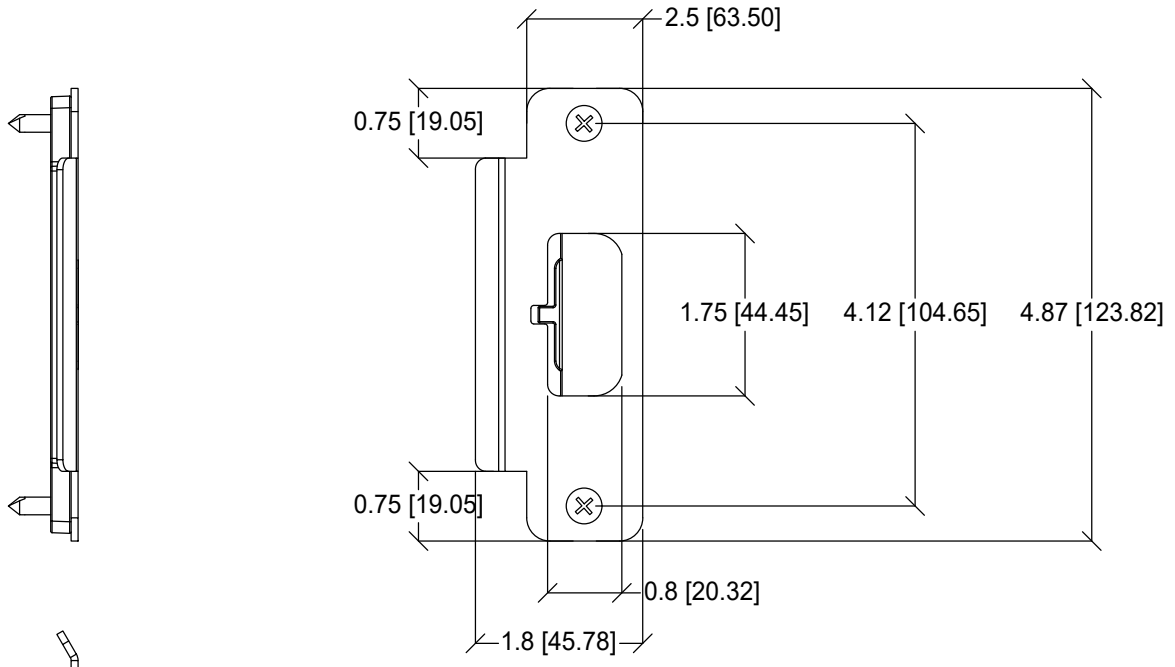
FOCUS - HARDWARE DETAILS

MODIFIED	September 22, 2025	UNIT	INCH	SCALE	1:2
----------	--------------------	------	------	-------	-----

THIS DRAWING IS THE PROPERTY OF TEKNION LIMITED AND IS SUBJECT TO RETURN UPON DEMAND. IT MUST NOT BE SUBMITTED TO ANY OUTSIDE PARTIES FOR EXAMINATION WITHOUT TEKNION CONSENT. THIS DRAWING MUST NOT BE SCALED OR USED FOR CONSTRUCTION PURPOSES

teknion

Publish Date: Jan 14, 2026



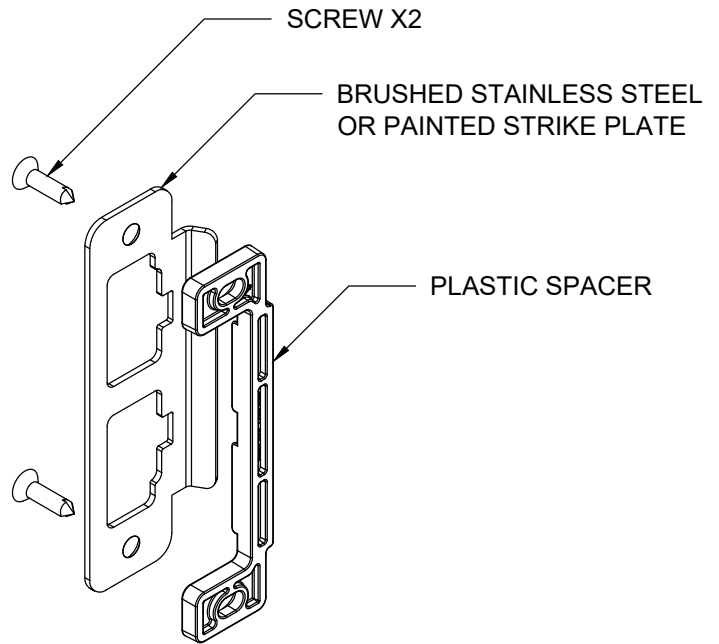
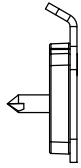
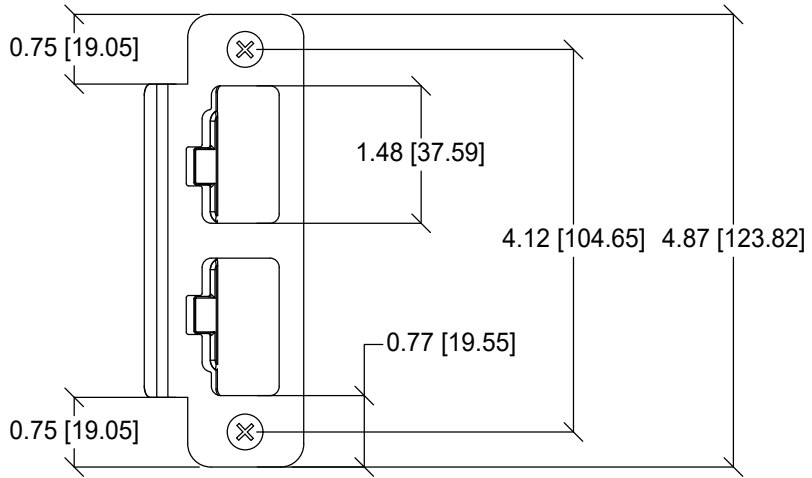
3 OTHER HARDWARE
 F04 ADJUSTABLE STRIKE PLATE - CYLINDRICAL

FOCUS - HARDWARE DETAILS

MODIFIED	September 22, 2025	UNIT	INCH	SCALE	1:2
----------	--------------------	------	------	-------	-----

THIS DRAWING IS THE PROPERTY OF TEKNION LIMITED AND IS SUBJECT TO RETURN UPON DEMAND. IT MUST NOT BE SUBMITTED TO ANY OUTSIDE PARTIES FOR EXAMINATION WITHOUT TEKNION CONSENT. THIS DRAWING MUST NOT BE SCALED OR USED FOR CONSTRUCTION PURPOSES





4
F04

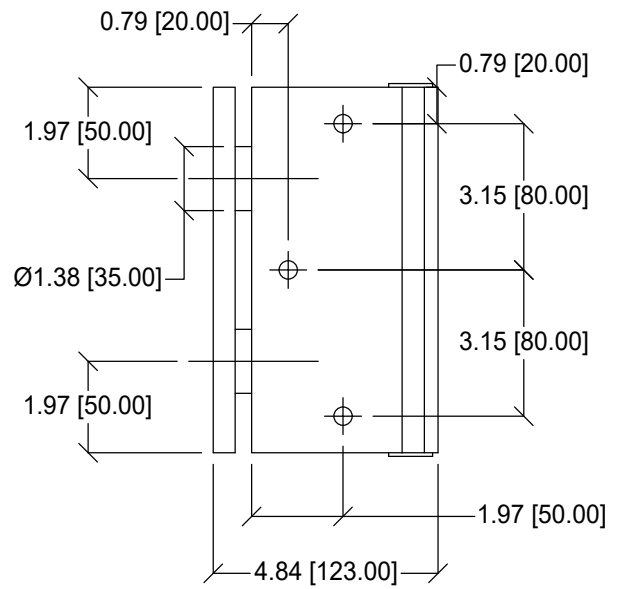
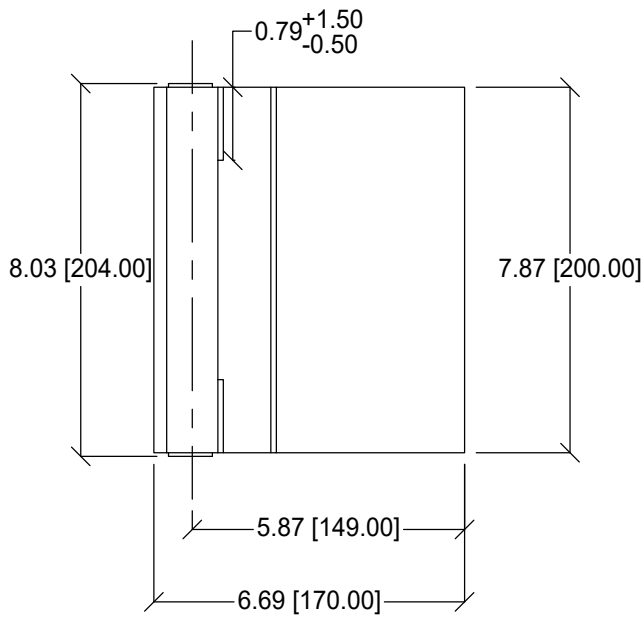
OTHER HARDWARE
ADJUSTABLE STRIKE PLATE - MORTISE

FOCUS - HARDWARE DETAILS

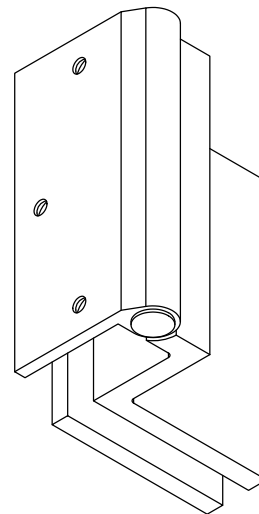
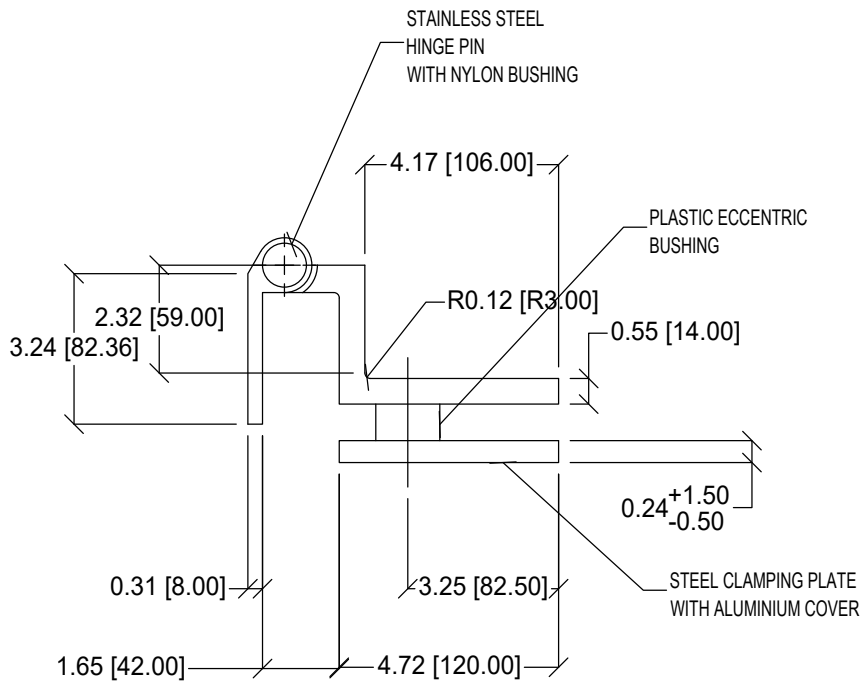
MODIFIED	September 22, 2025	UNIT	INCH	SCALE	1:2
----------	--------------------	------	------	-------	-----

THIS DRAWING IS THE PROPERTY OF TEKNION LIMITED AND IS SUBJECT TO RETURN UPON DEMAND. IT MUST NOT BE SUBMITTED TO ANY OUTSIDE PARTIES FOR EXAMINATION WITHOUT TEKNION CONSENT. THIS DRAWING MUST NOT BE SCALED OR USED FOR CONSTRUCTION PURPOSES





- ANODIZED ALUMINIUM
FINISH



5

OTHER HARDWARE

F04

HINGE GLASS

FOCUS - HARDWARE DETAILS

MODIFIED

September 22, 2025

UNIT

INCH

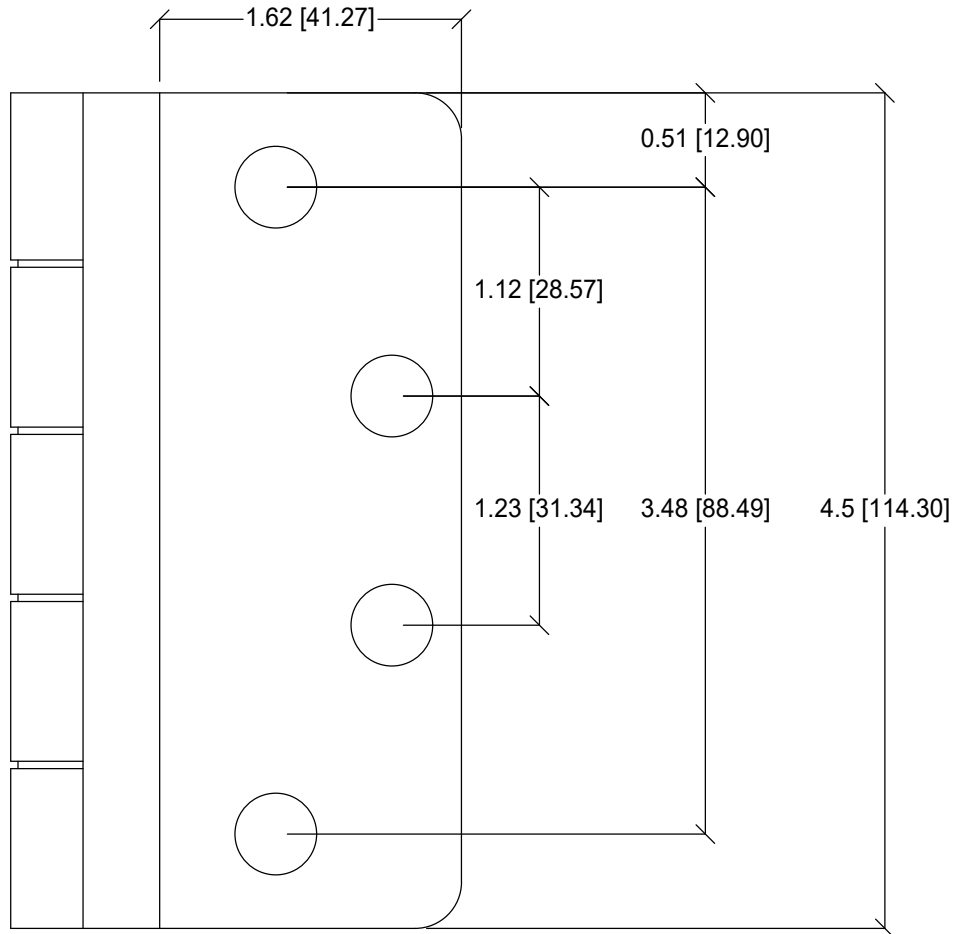
SCALE

1:2

THIS DRAWING IS THE PROPERTY OF TEKNION LIMITED AND IS SUBJECT TO RETURN UPON DEMAND. IT MUST NOT BE SUBMITTED TO ANY OUTSIDE PARTIES FOR EXAMINATION WITHOUT TEKNION CONSENT. THIS DRAWING MUST NOT BE SCALED OR USED FOR CONSTRUCTION PURPOSES

teknion

Publish Date: Jan 14, 2026



6
F04

OTHER HARDWARE
HINGE SOLID

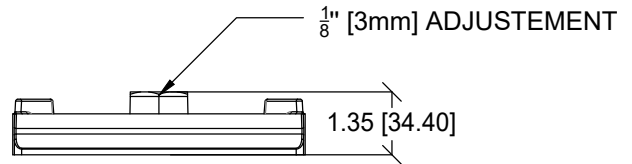
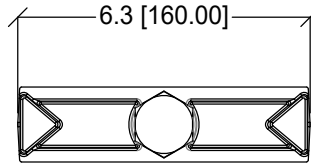
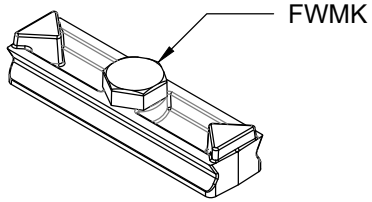
FOCUS - HARDWARE DETAILS

MODIFIED	September 22, 2025	UNIT	INCH	SCALE	1:1
----------	--------------------	------	------	-------	-----

THIS DRAWING IS THE PROPERTY OF TEKNION LIMITED AND IS SUBJECT TO RETURN UPON DEMAND. IT MUST NOT BE SUBMITTED TO ANY OUTSIDE PARTIES FOR EXAMINATION WITHOUT TEKNION CONSENT. THIS DRAWING MUST NOT BE SCALED OR USED FOR CONSTRUCTION PURPOSES

teknion

Publish Date: Jan 14, 2026



7
F04

OTHER HARDWARE
MICRO-LEVELER KIT

FOCUS - HARDWARE DETAILS

MODIFIED	September 22, 2025	UNIT	INCH	SCALE	1:2
----------	--------------------	------	------	-------	-----

THIS DRAWING IS THE PROPERTY OF TEKNION LIMITED AND IS SUBJECT TO RETURN UPON DEMAND. IT MUST NOT BE SUBMITTED TO ANY OUTSIDE PARTIES FOR EXAMINATION WITHOUT TEKNION CONSENT. THIS DRAWING MUST NOT BE SCALED OR USED FOR CONSTRUCTION PURPOSES



Publish Date: Jan 14, 2026